

# Glazing Options – 3 1/4” Flat & Historic

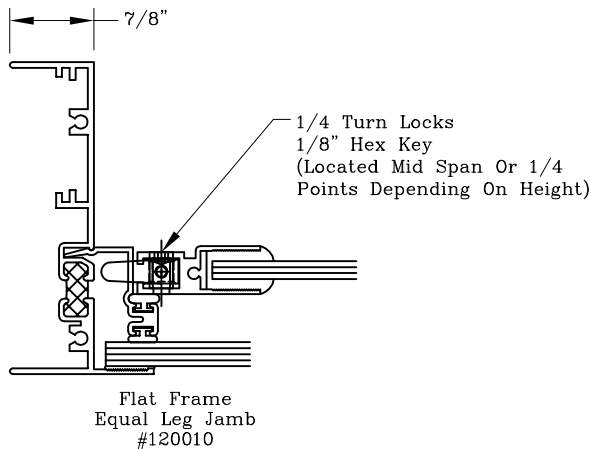
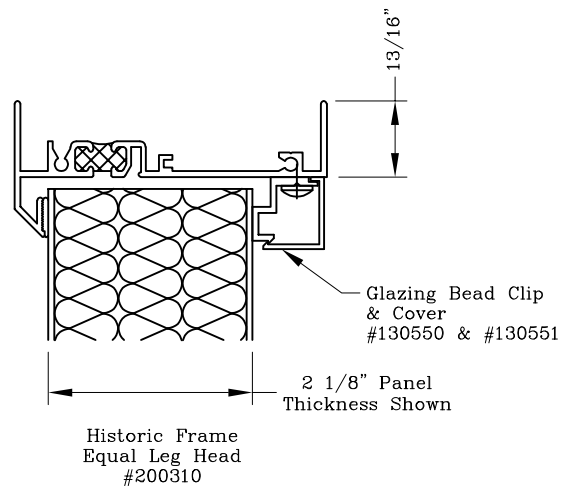
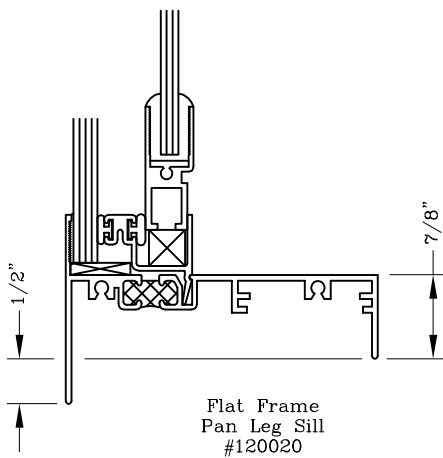
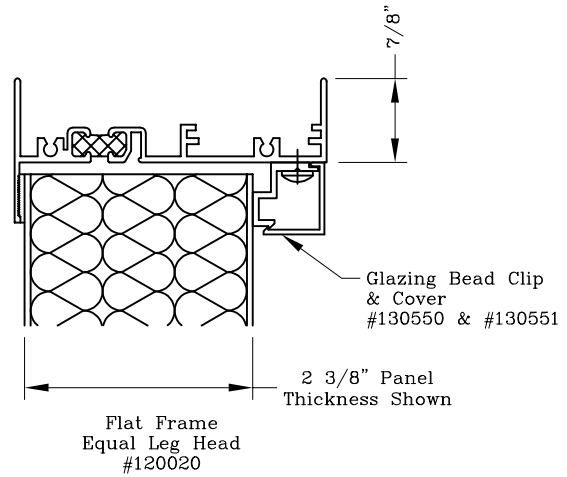
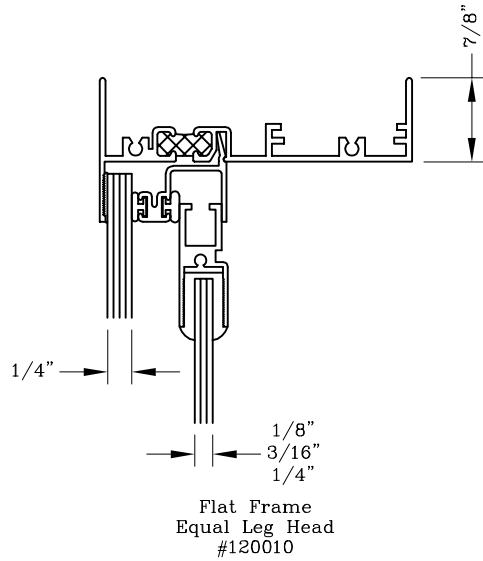


Series: 1200

Manufacturing Code: 1211

Drawing 1/2 Scale – For Custom Size Drawing Contact Graham

Note: Sealant Not Shown On Details. Refer To General Installation Instructions.



Graham Architectural Products reserves the right to change, add, cancel, remove or otherwise modify the details illustrated without prior notice.

1551 Mt. Rose Avenue, York, Pennsylvania 17403-2909 717.849.8100 Toll Free: 800/755-6274

0123 – 12.11

Web Site: [www.grahamwindows.com](http://www.grahamwindows.com)

# Fixed Flat Offset - 3 1/4"

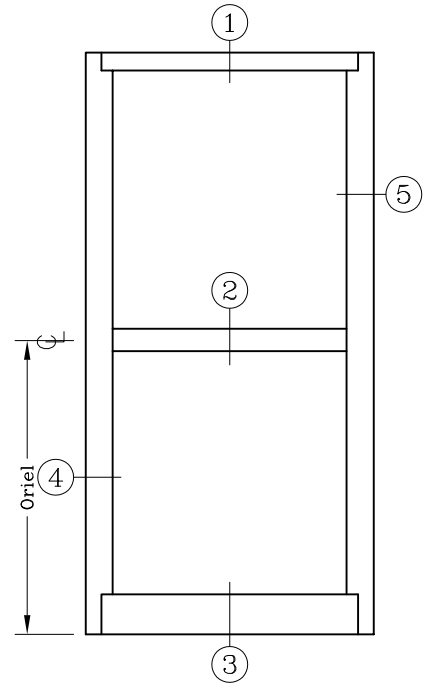
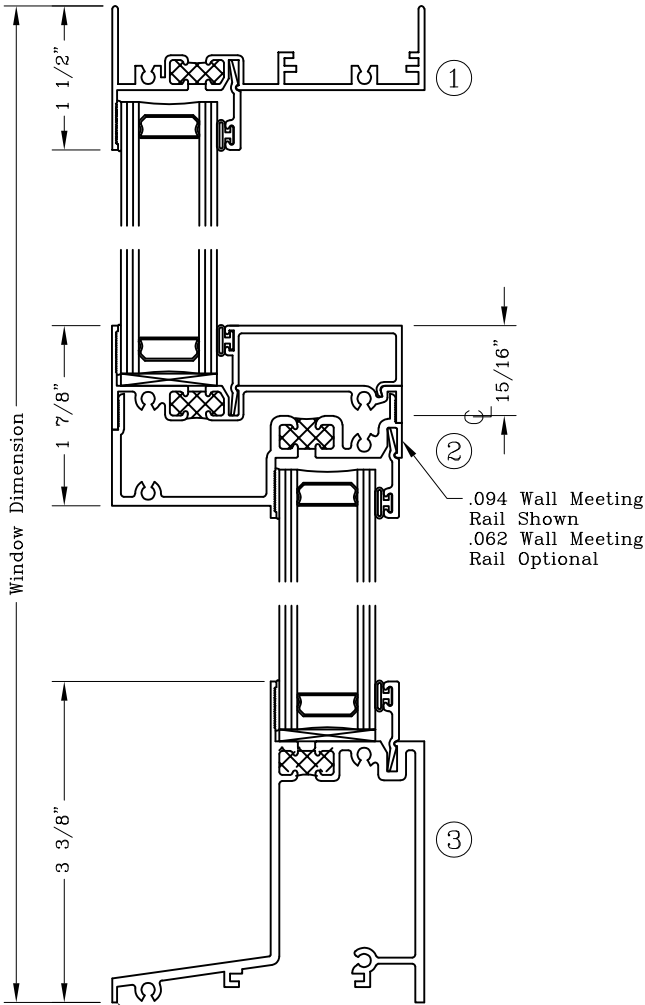


Series: 1200

Manufacturing Code: 1220

Drawing 1/2 Scale - For Custom Size Drawing Contact Graham

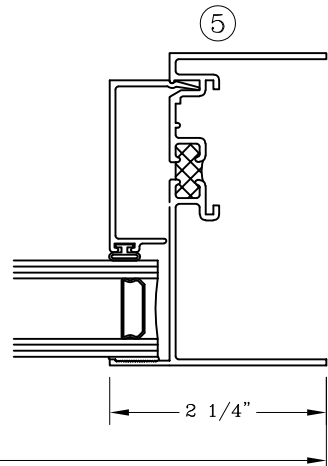
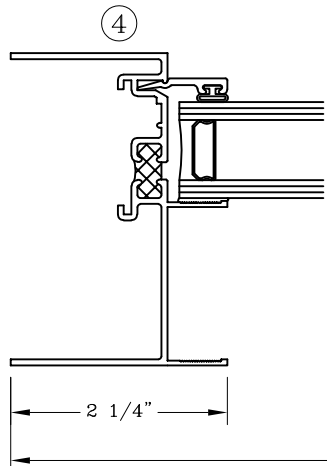
Note: Sealant Not Shown On Details. Refer To General Installation Instructions.



ELEVATION

Frame Options Available - Reference Frame Options Sheets 12.10

Equal Leg Sill Shown; Pan Leg Sill Available For Attached Panning Applications



Graham Architectural Products reserves the right to change, add, cancel, remove or otherwise modify the details illustrated without prior notice.

# Frame Options – 3 1/4” Flat Offset

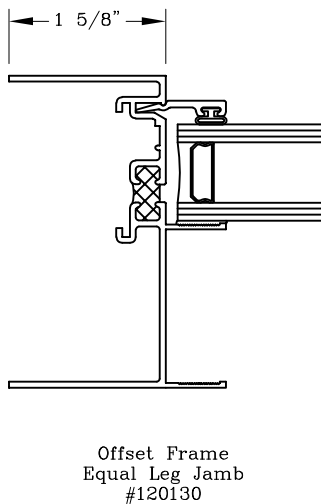
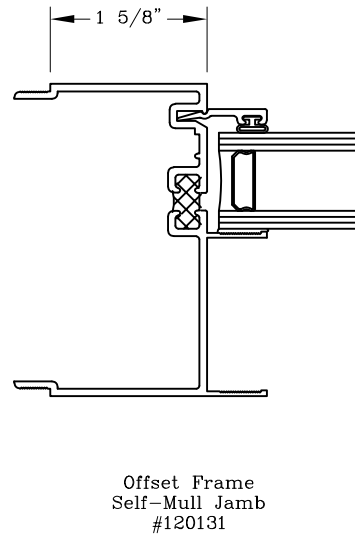
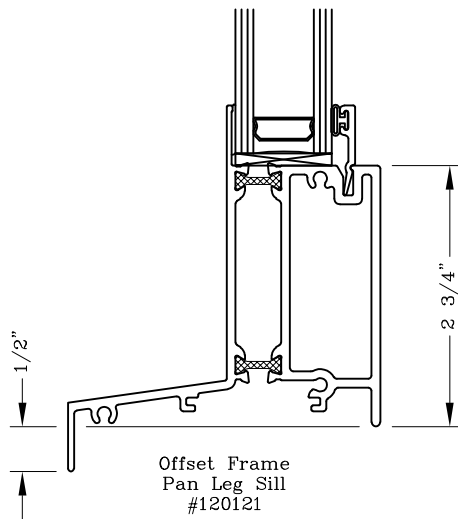


Series: 1200

Manufacturing Code: 1221

Drawing 1/2 Scale – For Custom Size Drawing Contact Graham

Note: Sealant Not Shown On Details. Refer To General Installation Instructions.



# Fixed Historic Offset - 3 1/4"

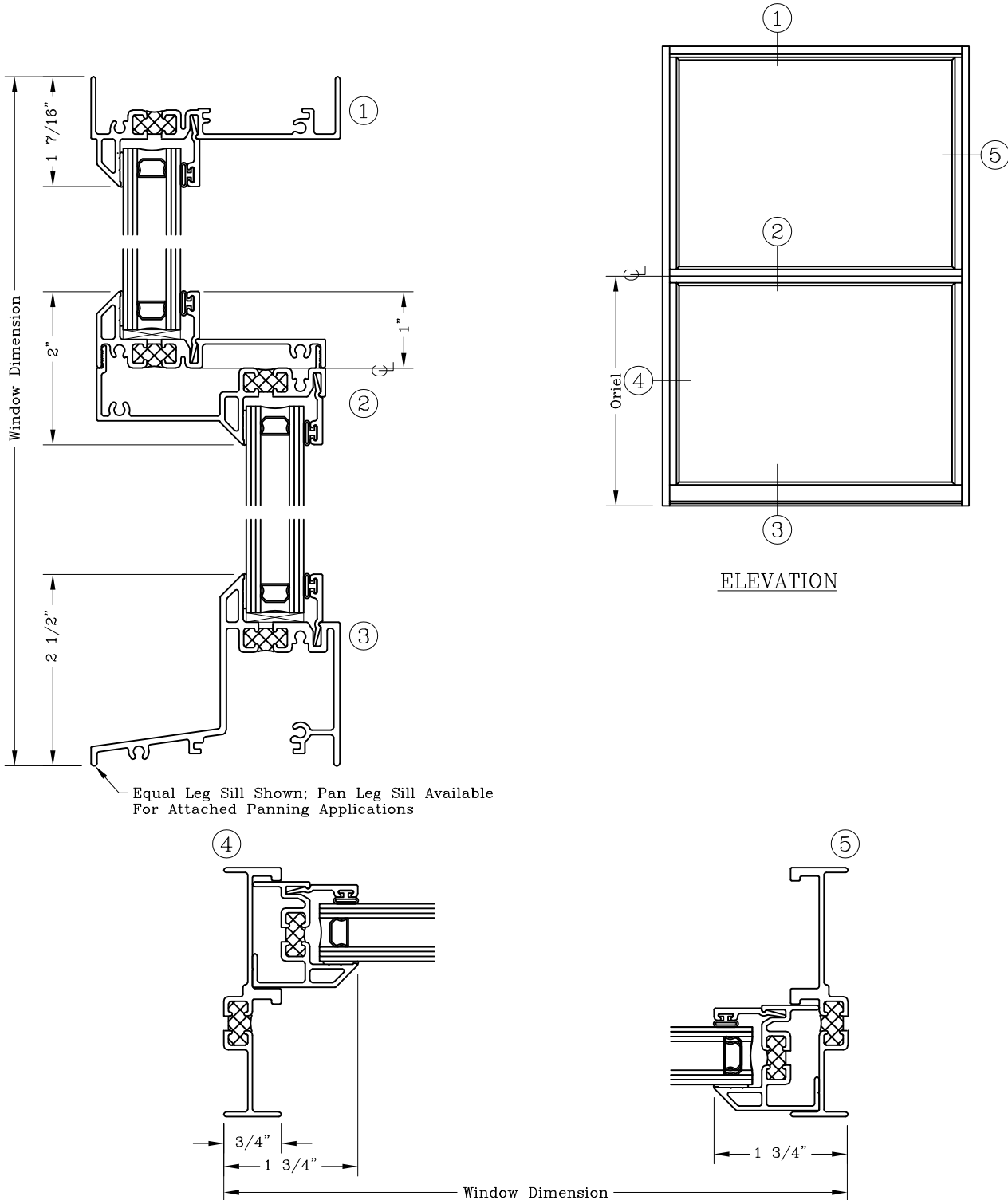


Series: 1200H

Manufacturing Code: 1225

Drawing 1/2 Scale - For Custom Size Drawing Contact Graham

Note: Sealant Not Shown On Details. Refer To General Installation Instructions.



Graham Architectural Products reserves the right to change, add, cancel, remove or otherwise modify the details illustrated without prior notice.

1551 Mt. Rose Avenue, York, Pennsylvania 17403-2909 717.849.8100 Toll Free: 800/755-6274

Web Site: [www.grahamwindows.com](http://www.grahamwindows.com)

0123 - 12.25

# Fixed Historic Offset - 3 1/4"

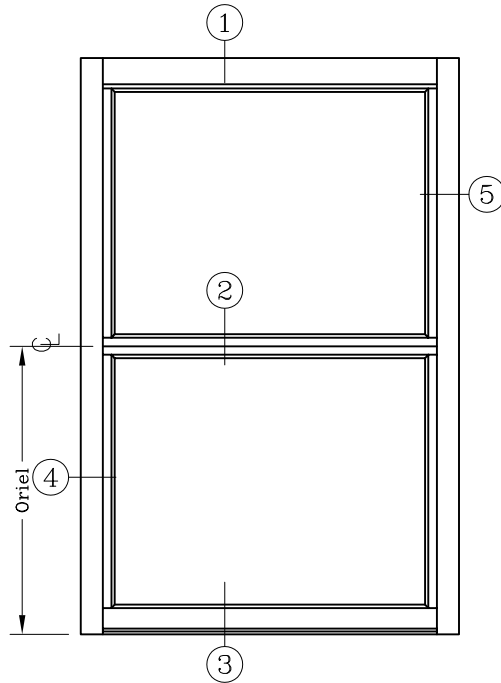
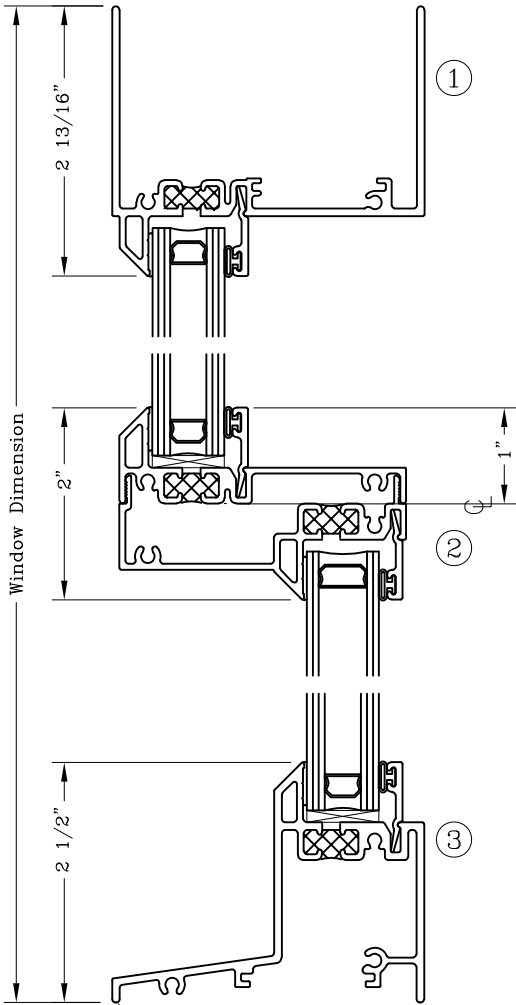


Series: 1200H

Manufacturing Code: 1226

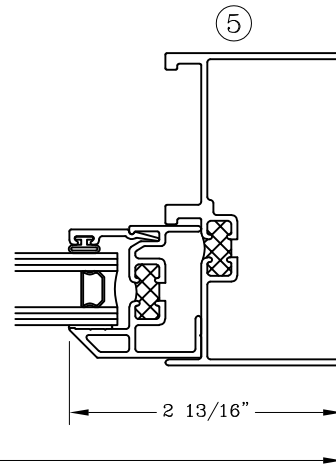
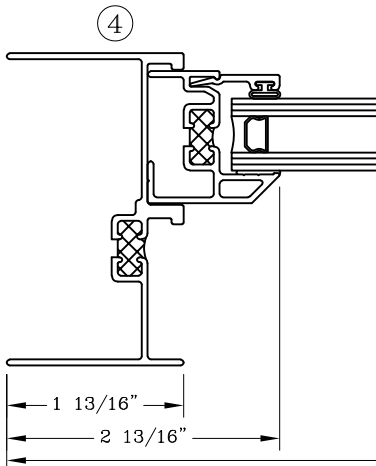
Drawing 1/2 Scale - For Custom Size Drawing Contact Graham

Note: Sealant Not Shown On Details. Refer To General Installation Instructions.



ELEVATION

Equal Leg Sill Shown; Pan Leg Sill Available For Attached Panning Applications



Graham Architectural Products reserves the right to change, add, cancel, remove or otherwise modify the details illustrated without prior notice.

1551 Mt. Rose Avenue, York, Pennsylvania 17403-2909 717.849.8100 Toll Free: 800/755-6274

0123 - 12.26

Web Site: [www.grahamwindows.com](http://www.grahamwindows.com)

# Fixed Historic Offset - 3 1/4"

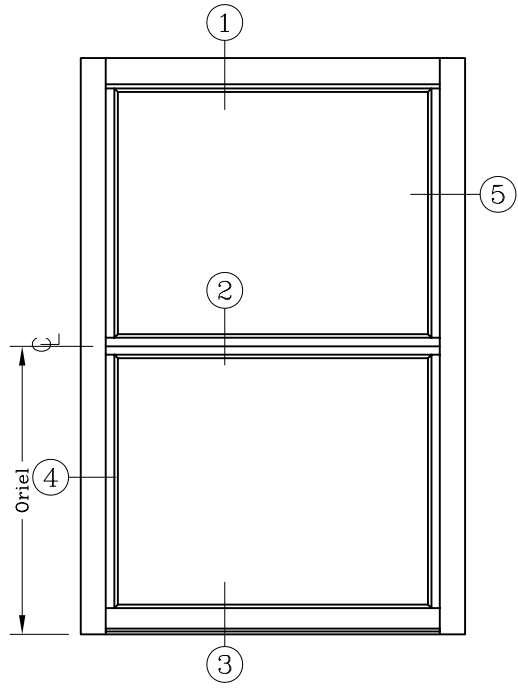
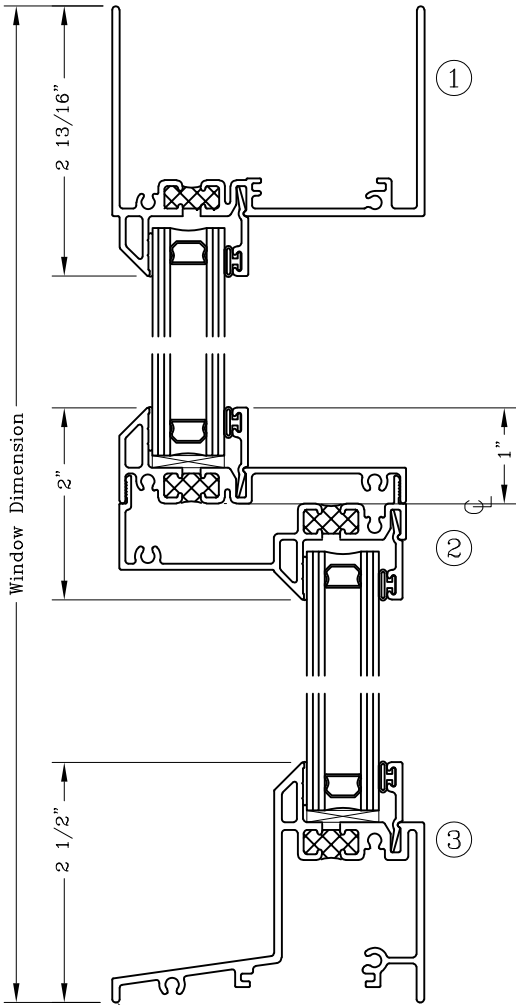


Series: 1200H

Manufacturing Code: 1227

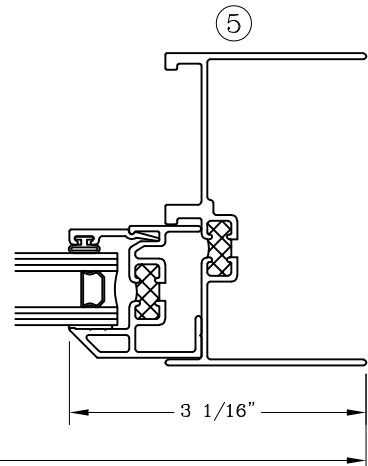
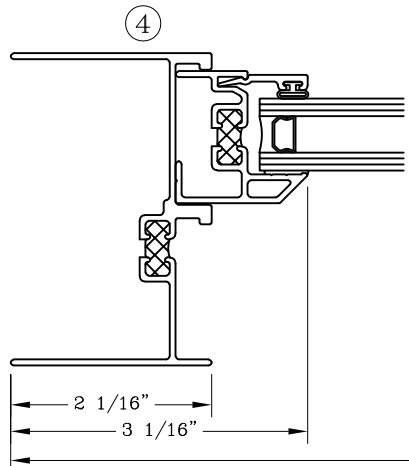
Drawing 1/2 Scale - For Custom Size Drawing Contact Graham

Note: Sealant Not Shown On Details. Refer To General Installation Instructions.



ELEVATION

Equal Leg Sill Shown; Pan Leg Sill Available For Attached Panning Applications



Graham Architectural Products reserves the right to change, add, cancel, remove or otherwise modify the details illustrated without prior notice.