

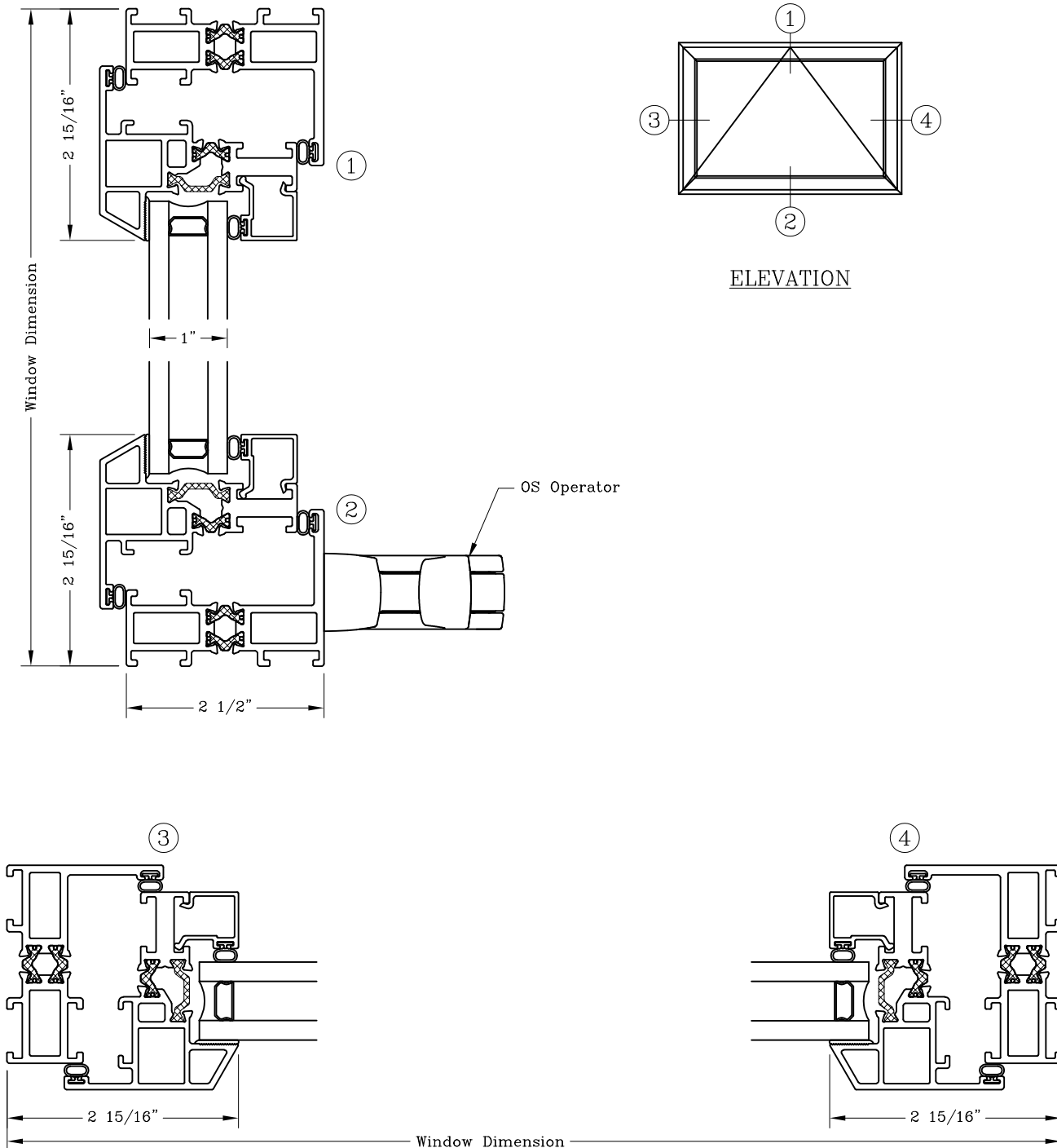
Projected - 2 1/2"  
 Equal Sightline  
 Outswing Awning



Series: GS6600 Manufacturing Code: GS6601B

Drawing 1/2 Scale - For Custom Size Drawing Contact Graham

Note: Sealant Not Shown On Details. Refer To General Installation Instructions.



Note: Dashed Lines Represent Inswing Vented Units Solid Lines Represent  
 Outswing Vented Units; Lines Converge At Hinge Side Of Vent  
 Graham Architectural Products reserves the right to change, add, cancel, remove or otherwise modify the details illustrated without prior notice.

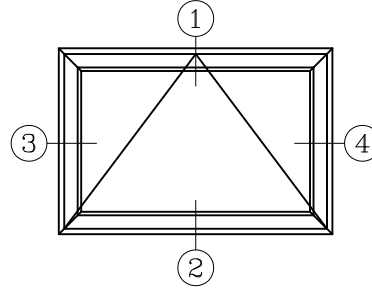
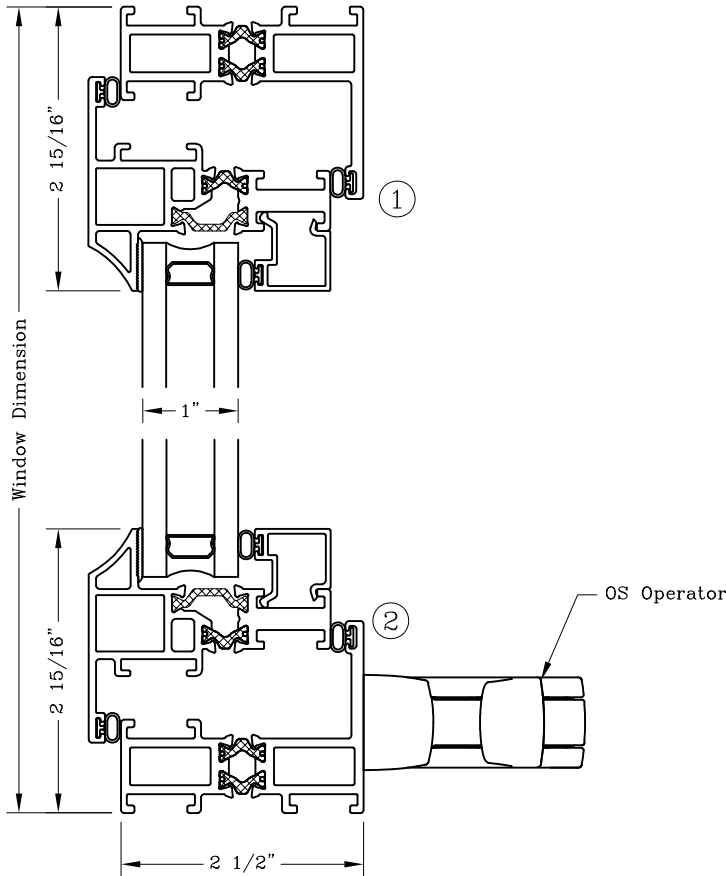
Projected - 2 1/2"  
 Equal Sightline  
 Outswing Awning

Series: GS6600

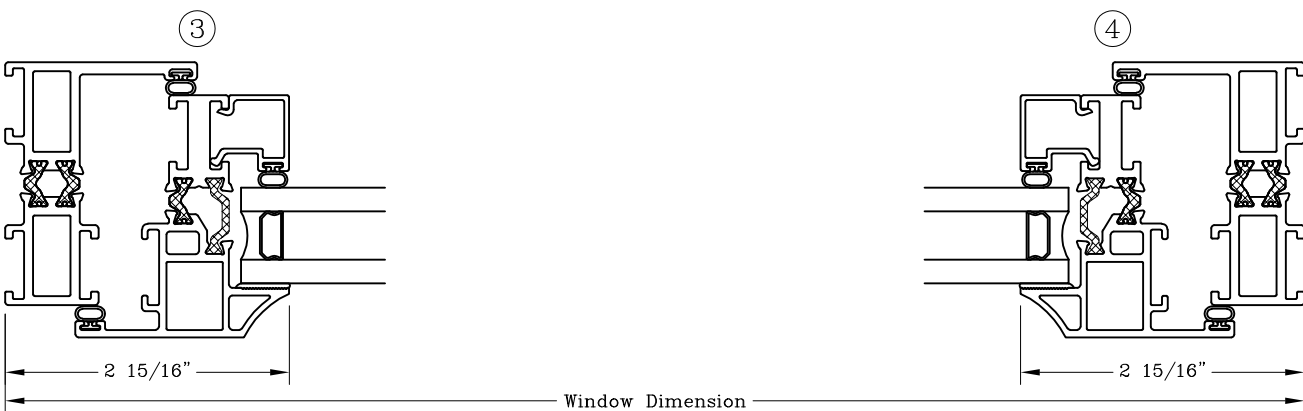
Manufacturing Code: GS6601C

Drawing 1/2 Scale - For Custom Size Drawing Contact Graham

Note: Sealant Not Shown On Details. Refer To General Installation Instructions.



ELEVATION



Note: Dashed Lines Represent Inswing Vented Units Solid Lines Represent Outswing Vented Units; Lines Converge At Hinge Side Of Vent

Graham Architectural Products reserves the right to change, add, cancel, remove or otherwise modify the details illustrated without prior notice.

1551 Mt. Rose Avenue, York, Pennsylvania 17403-2909 717.849.8100 Toll Free: 800/755-6274

0223 - GS66.01C

Web Site: www.grahamwindows.com

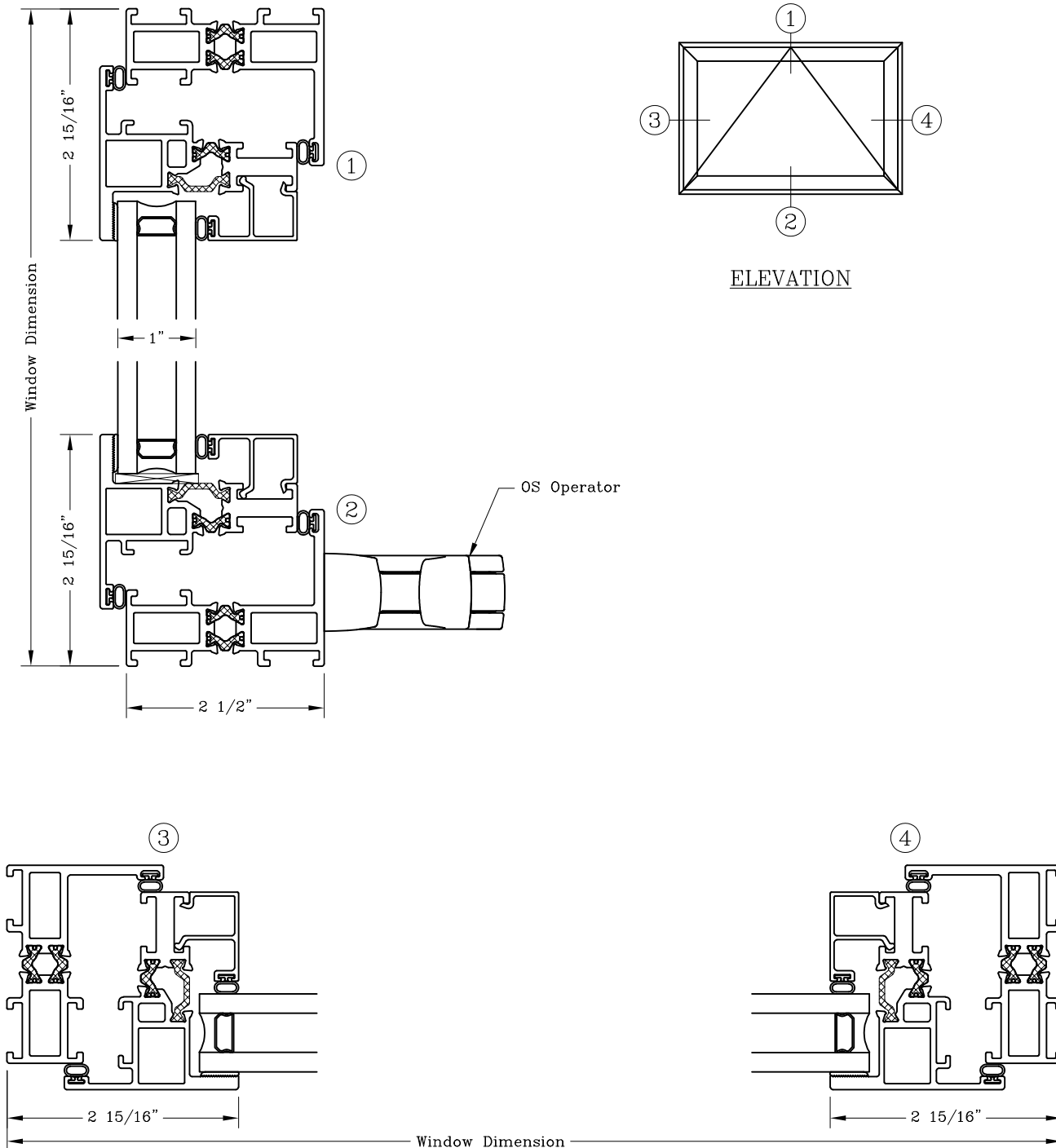
Projected - 2 1/2"  
 Equal Sightline  
 Outswing Awning



Series: GS6600 Manufacturing Code: GS6601F

Drawing 1/2 Scale - For Custom Size Drawing Contact Graham

Note: Sealant Not Shown On Details. Refer To General Installation Instructions.



Note: Dashed Lines Represent Inswing Vented Units Solid Lines Represent Outswing Vented Units; Lines Converge At Hinge Side Of Vent

Graham Architectural Products reserves the right to change, add, cancel, remove or otherwise modify the details illustrated without prior notice.

1551 Mt. Rose Avenue, York, Pennsylvania 17403-2909 717.849.8100 Toll Free: 800/755-6274

0219 - GS66.01F

Web Site: www.grahamwindows.com

Projected - 2 1/2"

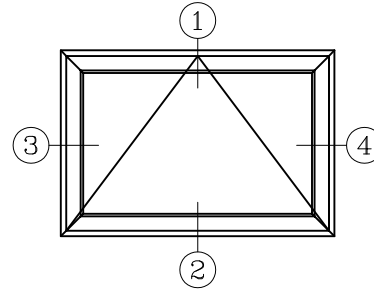
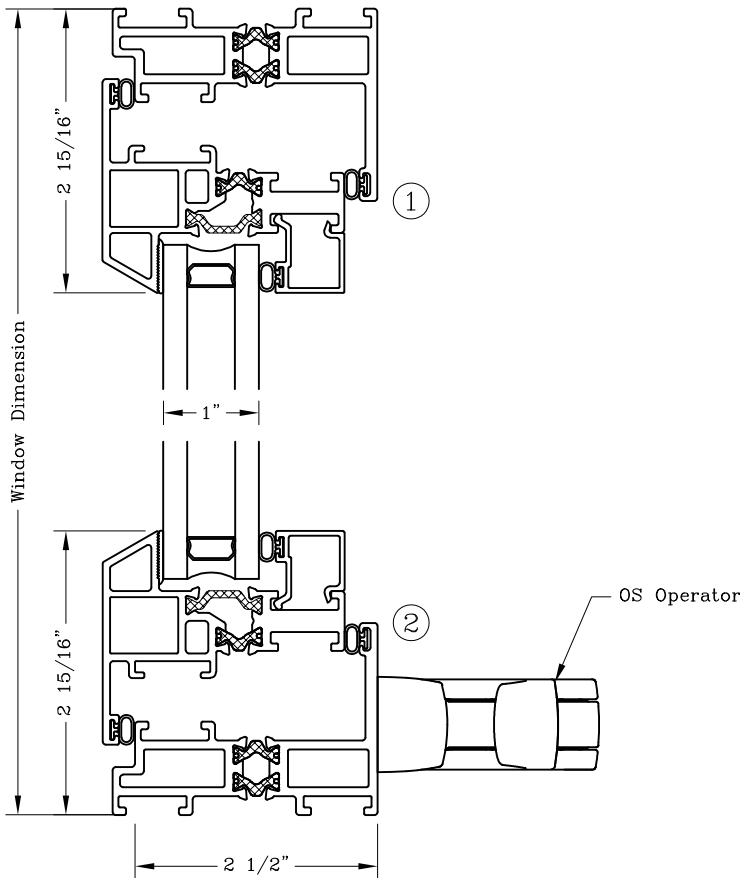
Equal Sightline

Outswing Awning - Flush Face

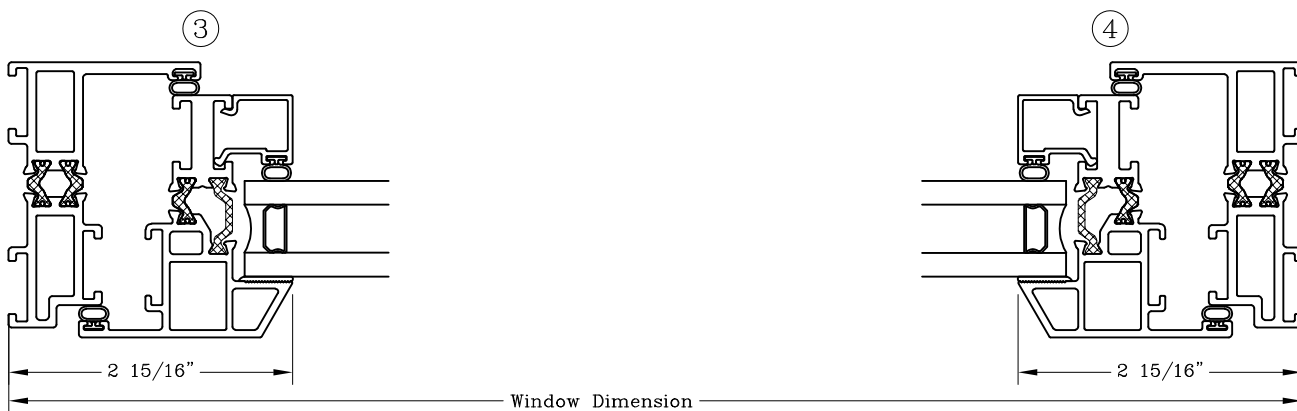
Series: GS6600FF Manufacturing Code: GS6601FFB

Drawing 1/2 Scale - For Custom Size Drawing Contact Graham

Note: Sealant Not Shown On Details. Refer To General Installation Instructions.



ELEVATION



Note: Dashed Lines Represent Inswing Vented Units Solid Lines Represent Outswing Vented Units; Lines Converge At Hinge Side Of Vent

Graham Architectural Products reserves the right to change, add, cancel, remove or otherwise modify the details illustrated without prior notice.

1551 Mt. Rose Avenue, York, Pennsylvania 17403-2909 717.849.8100 Toll Free: 800/755-6274

0223 - GS66.01FFB

Web Site: www.grahamwindows.com

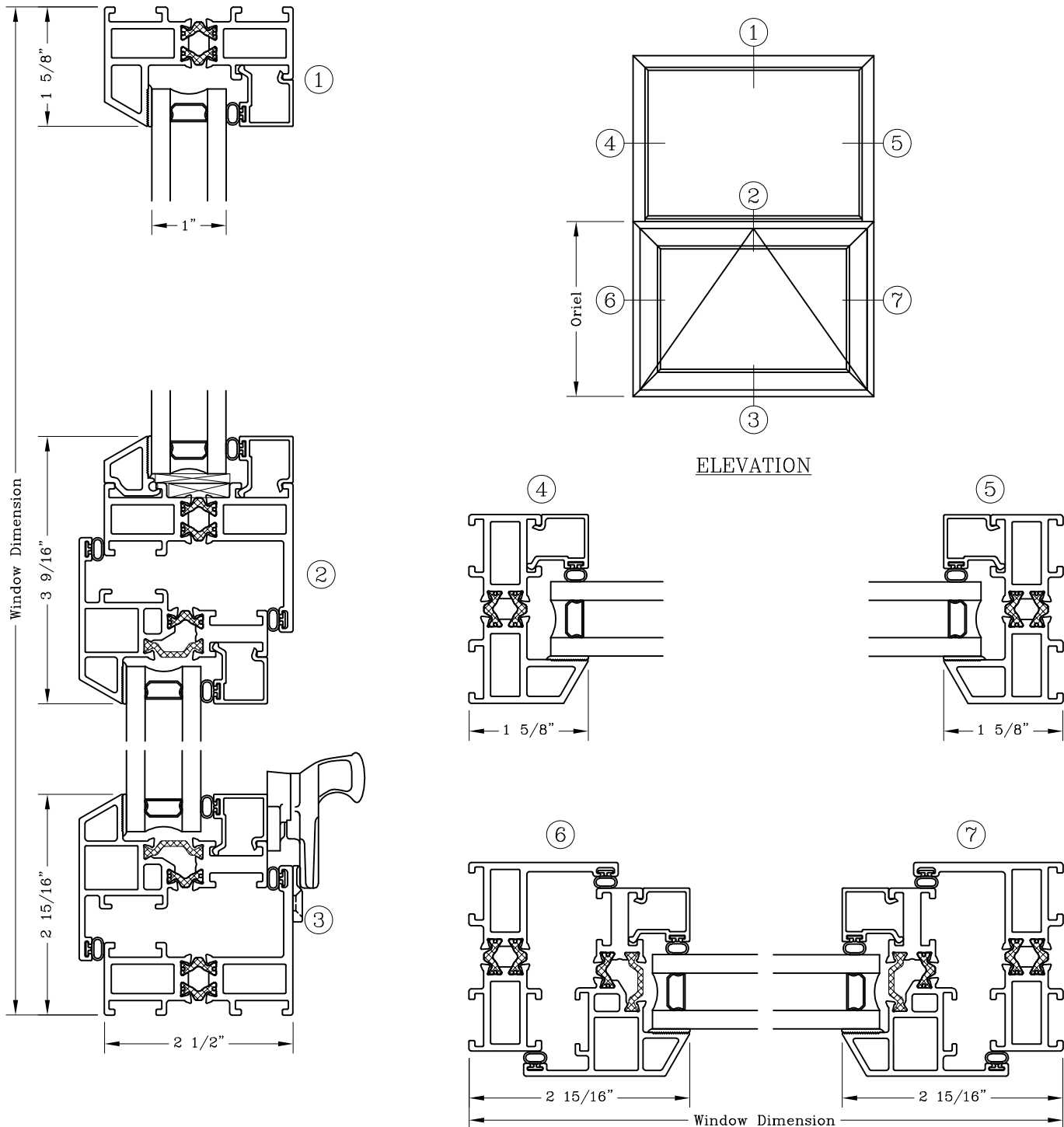
Projected - 2 1/2"  
 Narrow Sightline  
 Fixed Over Outswing



Series: GS6600 Manufacturing Code: GS6602B

Drawing 1/2 Scale - For Custom Size Drawing Contact Graham

Note: Sealant Not Shown On Details. Refer To General Installation Instructions.



Note: Dashed Lines Represent Inswing Vented Units Solid Lines Represent  
 Outswing Vented Units; Lines Converge At Hinge Side Of Vent  
 Graham Architectural Products reserves the right to change, add, cancel, remove or otherwise modify the details illustrated without prior notice.  
 1551 Mt. Rose Avenue, York, Pennsylvania 17403-2909 717.849.8100 Toll Free: 800/755-6274 0223 - GS66.02B  
 Web Site: www.grahamwindows.com

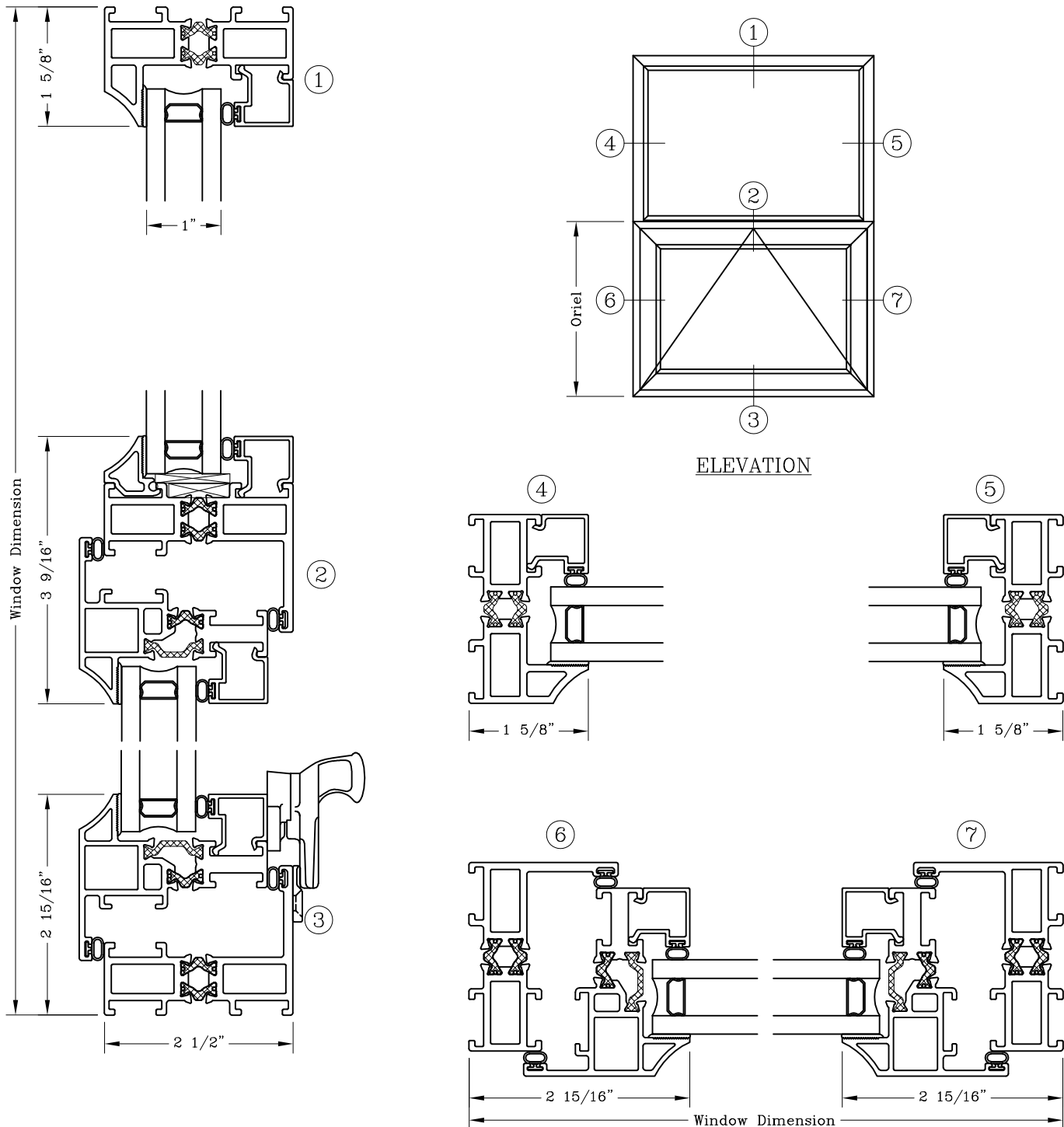
Projected - 2 1/2"  
 Narrow Sightline  
 Fixed Over Outswing



Series: GS6600 Manufacturing Code: GS6602C

Drawing 1/2 Scale - For Custom Size Drawing Contact Graham

Note: Sealant Not Shown On Details. Refer To General Installation Instructions.



Note: Dashed Lines Represent Inswing Vented Units Solid Lines Represent Outswing Vented Units; Lines Converge At Hinge Side Of Vent

Graham Architectural Products reserves the right to change, add, cancel, remove or otherwise modify the details illustrated without prior notice.

1551 Mt. Rose Avenue, York, Pennsylvania 17403-2909 717.849.8100 Toll Free: 800/755-6274

0519 - GS66.02C

Web Site: www.grahamwindows.com

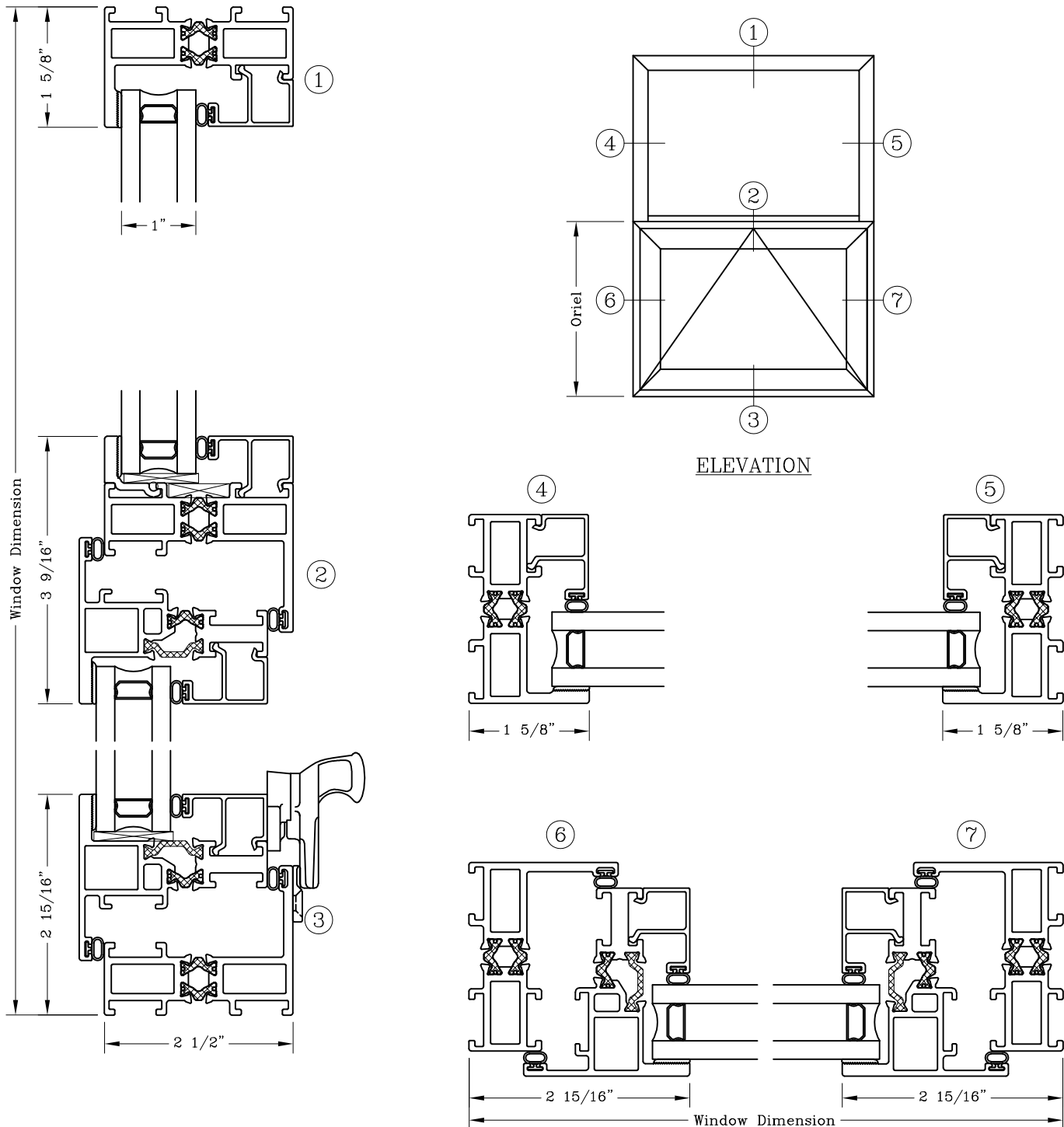
Projected - 2 1/2"  
 Narrow Sightline  
 Fixed Over Outswing



Series: GS6600 Manufacturing Code: GS6602F

Drawing 1/2 Scale - For Custom Size Drawing Contact Graham

Note: Sealant Not Shown On Details. Refer To General Installation Instructions.



Note: Dashed Lines Represent Inswing Vented Units Solid Lines Represent Outswing Vented Units; Lines Converge At Hinge Side Of Vent

Graham Architectural Products reserves the right to change, add, cancel, remove or otherwise modify the details illustrated without prior notice.

1551 Mt. Rose Avenue, York, Pennsylvania 17403-2909 717.849.8100 Toll Free: 800/755-6274

0223 - GS66.02F

Web Site: www.grahamwindows.com

Projected - 2 1/2"

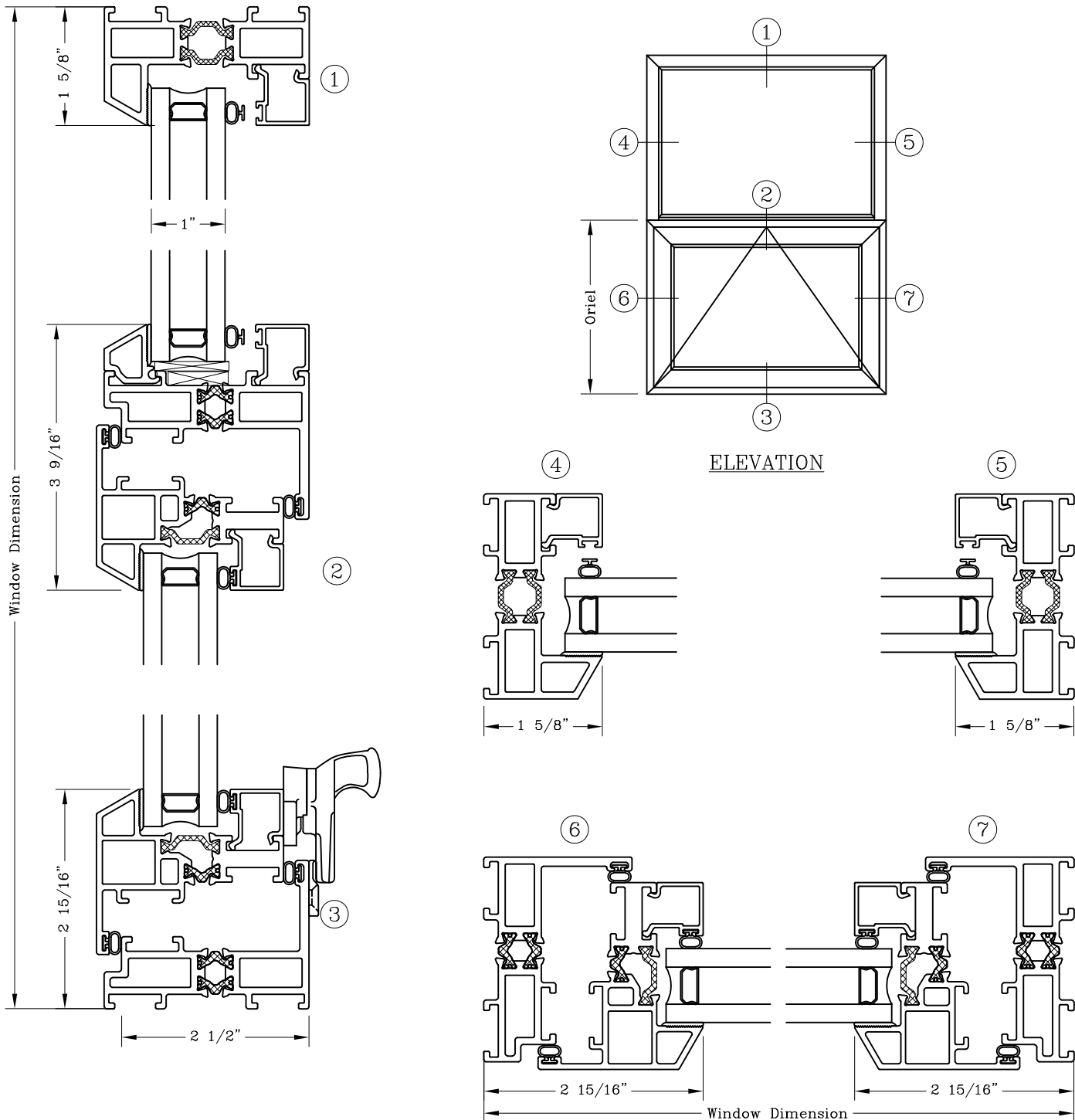
Narrow Sightline

Fixed Over Outswing - Flush Face

Series: GS6600FF Manufacturing Code: GS6602FFB

Drawing 1/2 Scale - For Custom Size Drawing Contact Graham

Note: Sealant Not Shown On Details. Refer To General Installation Instructions.



Note: Dashed Lines Represent Inswing Vented Units Solid Lines Represent Outswing Vented Units; Lines Converge At Hinge Side Of Vent

Graham Architectural Products reserves the right to change, add, cancel, remove or otherwise modify the details illustrated without prior notice.

1551 Mt. Rose Avenue, York, Pennsylvania 17403-2909 717.849.8100 Toll Free: 800/755-6274

0223 - GS66.02FFB

Web Site: [www.grahamwindows.com](http://www.grahamwindows.com)



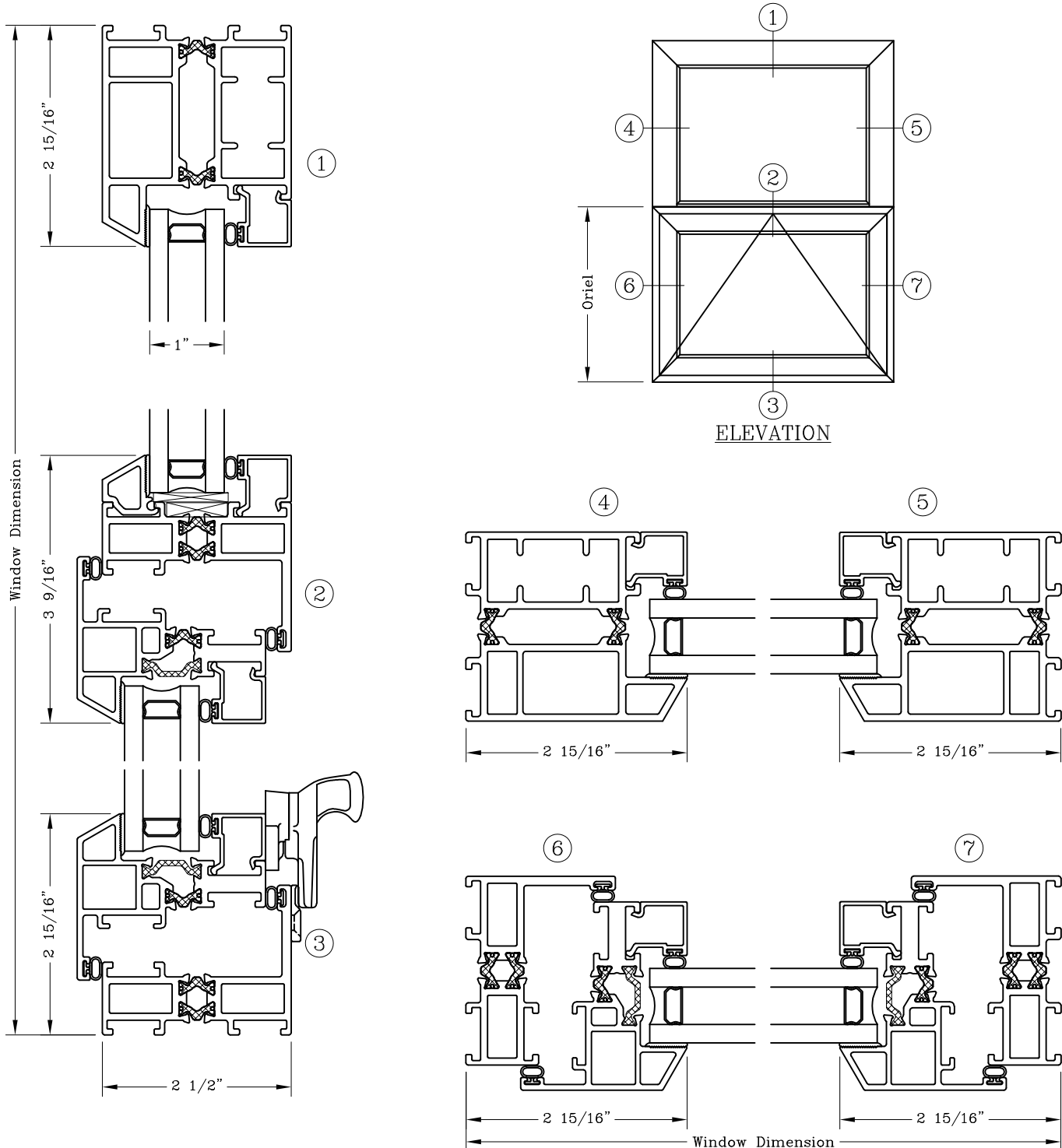
Projected - 2 1/2"  
 Equal Sightline  
 Fixed Over Outswing



Series: GS6600 Manufacturing Code: GS6603B

Drawing 1/2 Scale - For Custom Size Drawing Contact Graham

Note: Sealant Not Shown On Details. Refer To General Installation Instructions.



Note: Dashed Lines Represent Inswing Vented Units Solid Lines Represent  
 Outswing Vented Units; Lines Converge At Hinge Side Of Vent

Graham Architectural Products reserves the right to change, add, cancel, remove or otherwise modify the details illustrated without prior notice.

1551 Mt. Rose Avenue, York, Pennsylvania 17403-2909 717.849.8100 Toll Free: 800/755-6274

0223 - GS66.03B

Web Site: www.grahamwindows.com

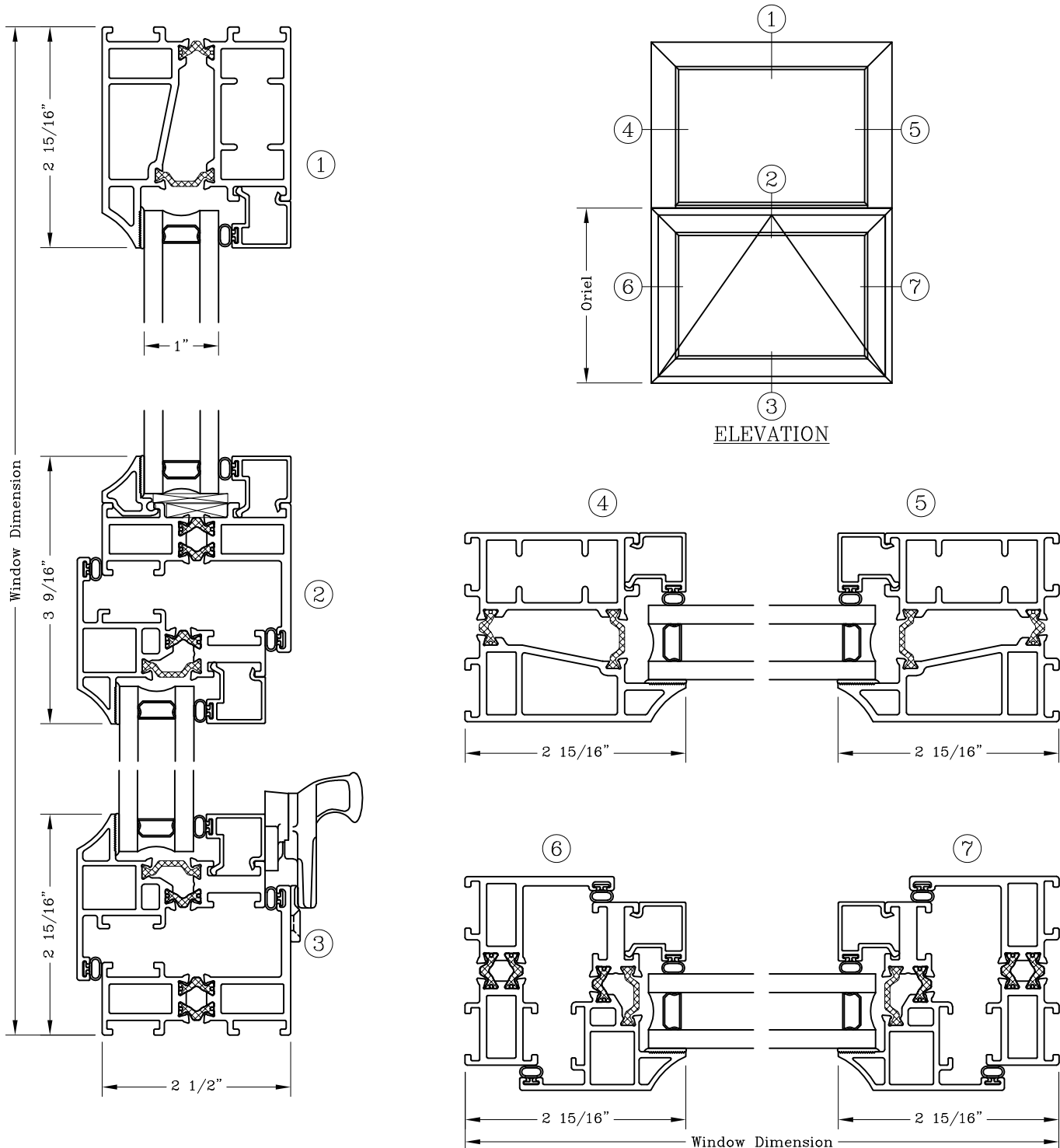
Projected - 2 1/2"  
 Equal Sightline  
 Fixed Over Outswing



Series: GS6600 Manufacturing Code: GS6603C

Drawing 1/2 Scale - For Custom Size Drawing Contact Graham

Note: Sealant Not Shown On Details. Refer To General Installation Instructions.



Note: Dashed Lines Represent Inswing Vented Units Solid Lines Represent Outswing Vented Units; Lines Converge At Hinge Side Of Vent

Graham Architectural Products reserves the right to change, add, cancel, remove or otherwise modify the details illustrated without prior notice.

1551 Mt. Rose Avenue, York, Pennsylvania 17403-2909 717.849.8100 Toll Free: 800/755-6274

0519 - GS66.03C

Web Site: www.grahamwindows.com

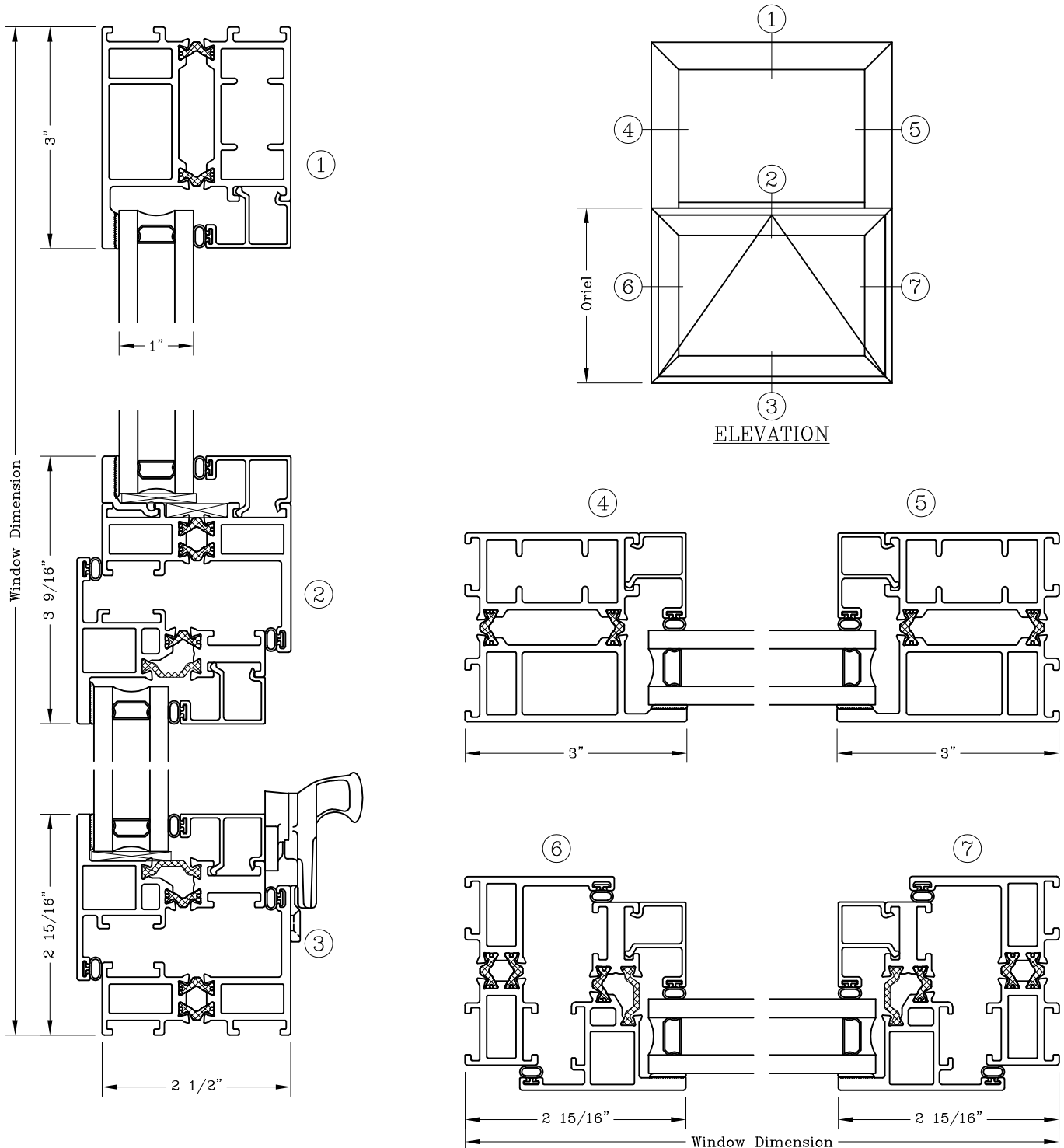
Projected - 2 1/2"  
 Equal Sightline  
 Fixed Over Outswing



Series: GS6600 Manufacturing Code: GS6603F

Drawing 1/2 Scale - For Custom Size Drawing Contact Graham

Note: Sealant Not Shown On Details. Refer To General Installation Instructions.



Note: Dashed Lines Represent Inswing Vented Units Solid Lines Represent  
 Outswing Vented Units; Lines Converge At Hinge Side Of Vent

Graham Architectural Products reserves the right to change, add, cancel, remove or otherwise modify the details illustrated without prior notice.

1551 Mt. Rose Avenue, York, Pennsylvania 17403-2909 717.849.8100 Toll Free: 800/755-6274

0223 - GS66.03F

Web Site: www.grahamwindows.com

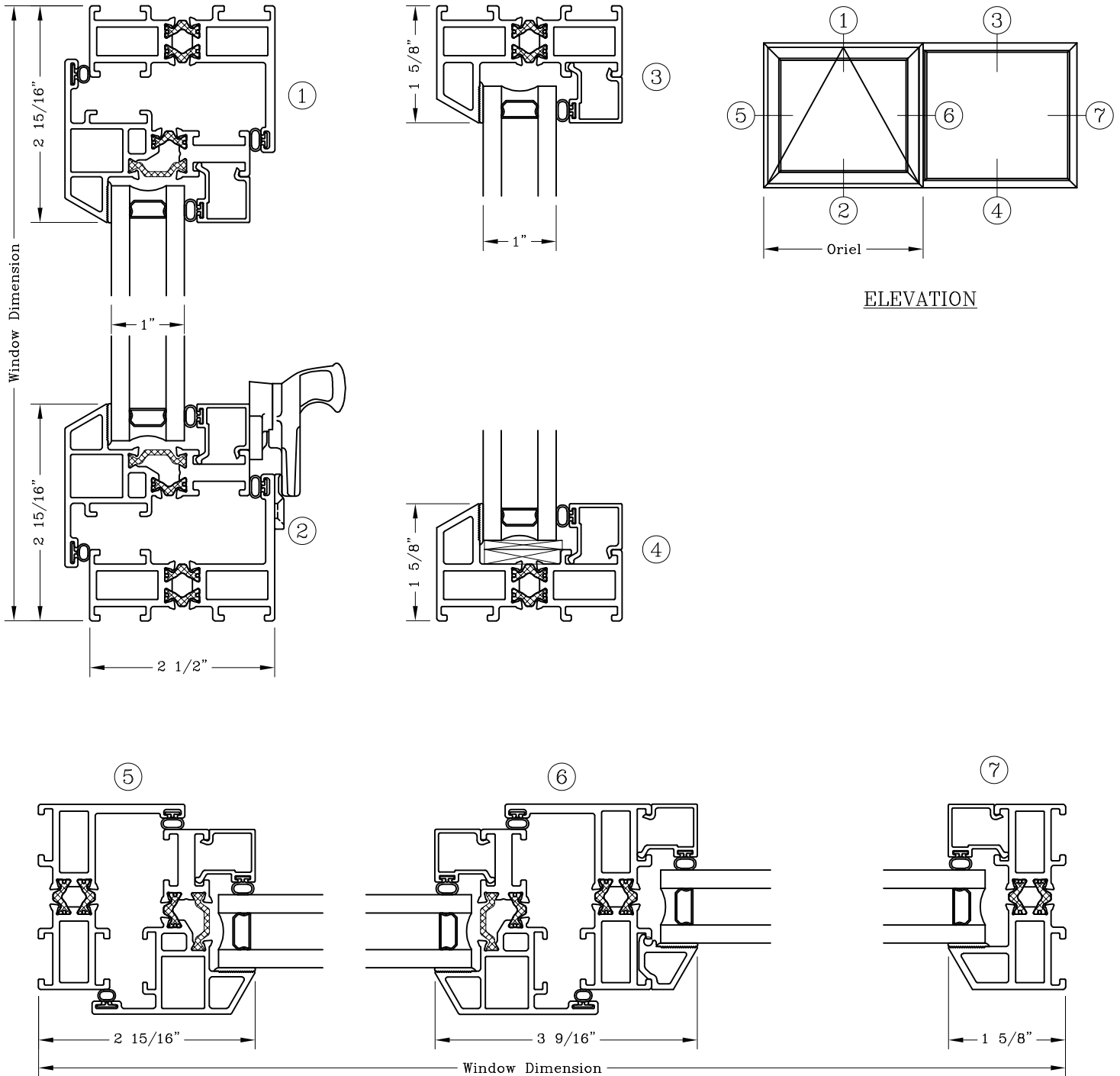
Projected - 2 1/2"  
 Narrow Sightline  
 Outswing Awning/Fixed



Series: GS6600 Manufacturing Code: GS6604B

Drawing 1/2 Scale - For Custom Size Drawing Contact Graham

Note: Sealant Not Shown On Details. Refer To General Installation Instructions.



Note: Dashed Lines Represent Inswing Vented Units Solid Lines Represent Outswing Vented Units; Lines Converge At Hinge Side Of Vent

Graham Architectural Products reserves the right to change, add, cancel, remove or otherwise modify the details illustrated without prior notice.

1551 Mt. Rose Avenue, York, Pennsylvania 17403-2909 717.849.8100 Toll Free: 800/755-6274

0223 - GS66.04B

Web Site: www.grahamwindows.com

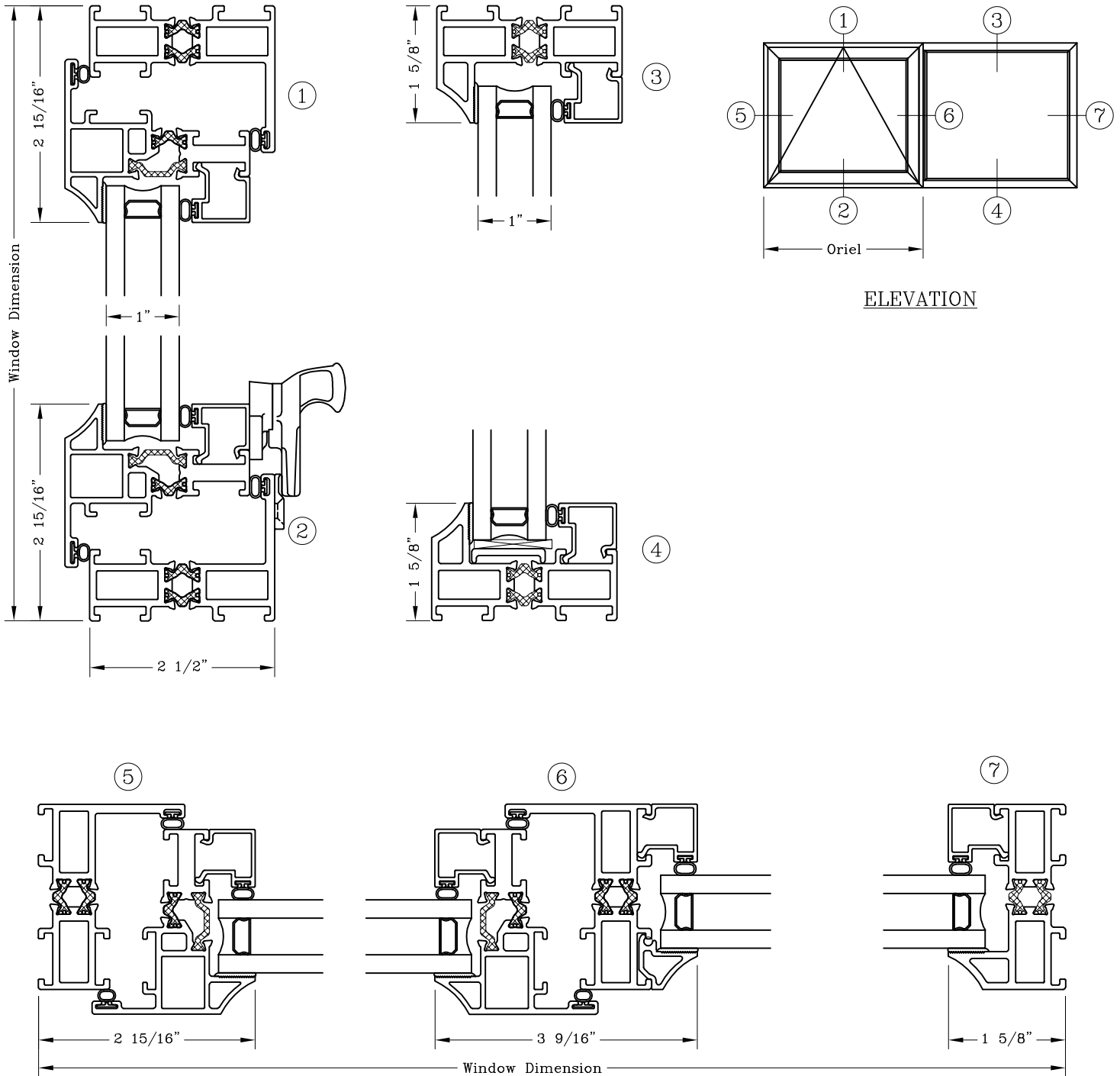
Projected – 2 1/2”  
 Narrow Sightline  
 Outswing Awning/Fixed



Series: GS6600 Manufacturing Code: GS6604C

Drawing 1/2 Scale – For Custom Size Drawing Contact Graham

Note: Sealant Not Shown On Details. Refer To General Installation Instructions.



Note: Dashed Lines Represent Inswing Vented Units Solid Lines Represent Outswing Vented Units; Lines Converge At Hinge Side Of Vent

Graham Architectural Products reserves the right to change, add, cancel, remove or otherwise modify the details illustrated without prior notice.

1551 Mt. Rose Avenue, York, Pennsylvania 17403-2909 717.849.8100 Toll Free: 800/755-6274

0223 – GS66.04C

Web Site: [www.grahamwindows.com](http://www.grahamwindows.com)

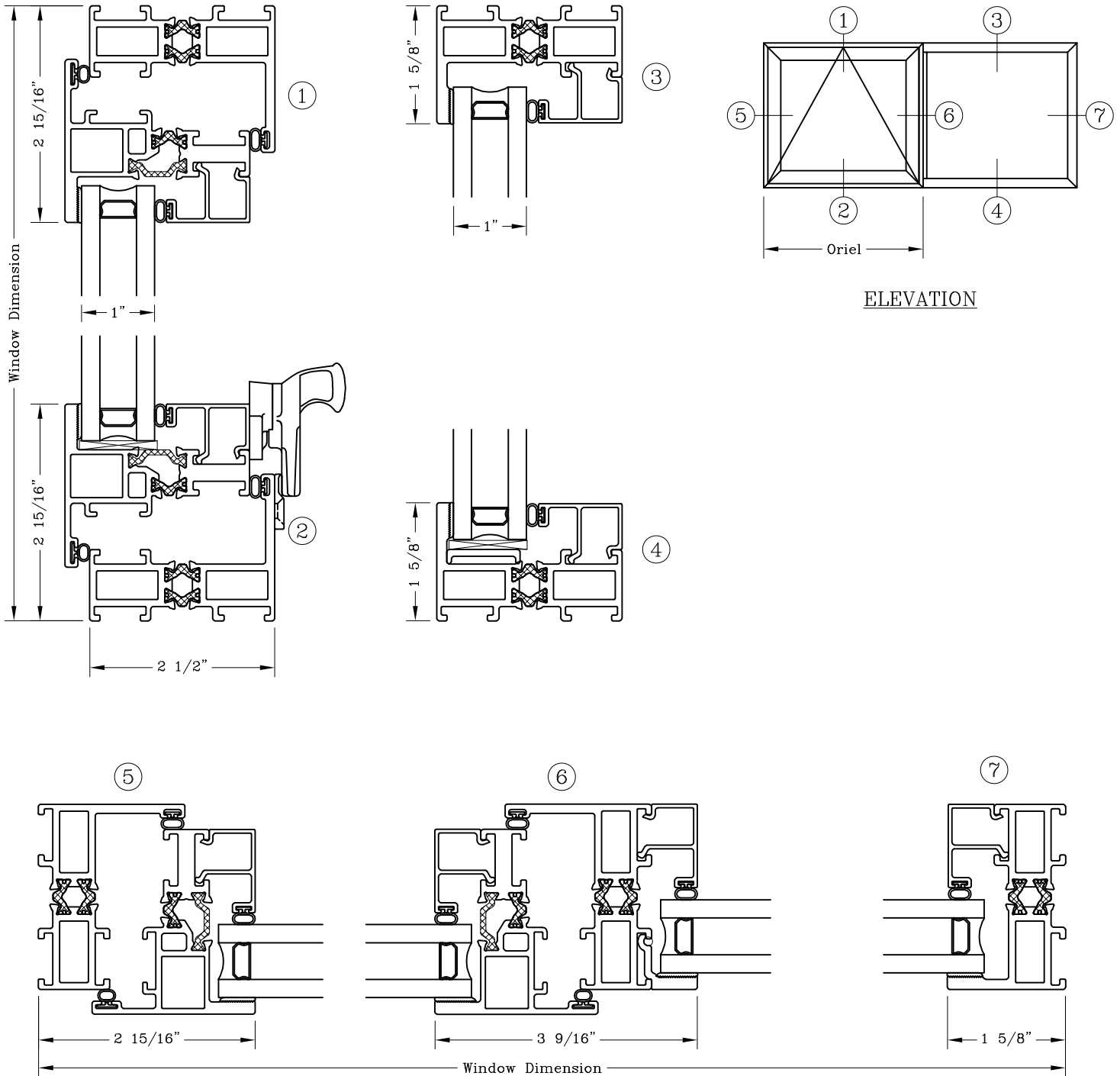
Projected - 2 1/2"  
 Narrow Sightline  
 Outswing Awning/Fixed



Series: GS6600 Manufacturing Code: GS6604F

Drawing 1/2 Scale - For Custom Size Drawing Contact Graham

Note: Sealant Not Shown On Details. Refer To General Installation Instructions.



Note: Dashed Lines Represent Inswing Vented Units Solid Lines Represent Outswing Vented Units; Lines Converge At Hinge Side Of Vent

Graham Architectural Products reserves the right to change, add, cancel, remove or otherwise modify the details illustrated without prior notice.

1551 Mt. Rose Avenue, York, Pennsylvania 17403-2909 717.849.8100 Toll Free: 800/755-6274

0223 - GS66.04F

Web Site: www.grahamwindows.com

Projected - 2 1/2"

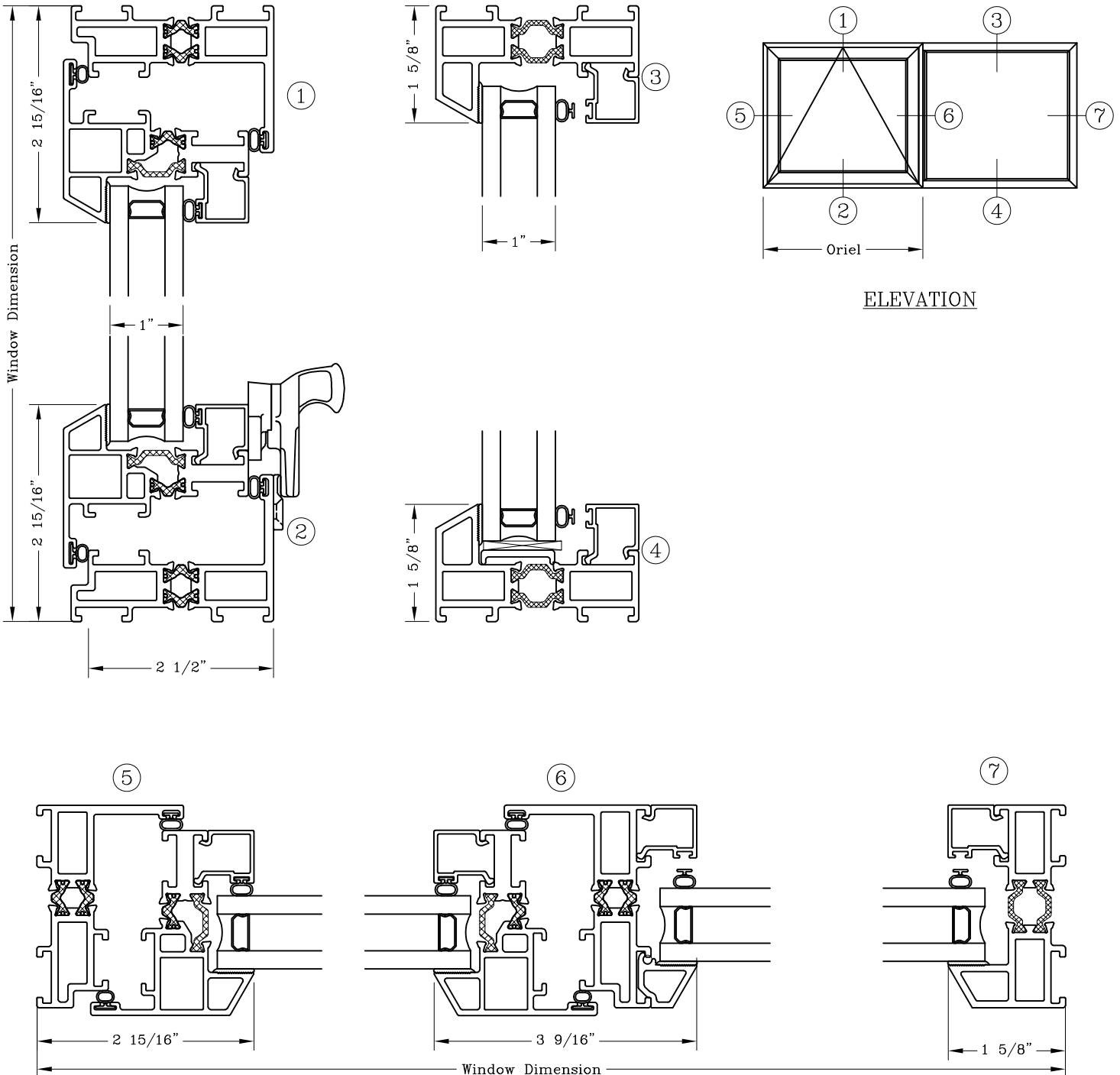
Narrow Sightline

Outswing Awning/Fixed - Flush Face

Series: GS6600FF Manufacturing Code: GS6604FFB

Drawing 1/2 Scale - For Custom Size Drawing Contact Graham

Note: Sealant Not Shown On Details. Refer To General Installation Instructions.



Note: Dashed Lines Represent Inswing Vented Units Solid Lines Represent Outswing Vented Units; Lines Converge At Hinge Side Of Vent

Graham Architectural Products reserves the right to change, add, cancel, remove or otherwise modify the details illustrated without prior notice.

1551 Mt. Rose Avenue, York, Pennsylvania 17403-2909 717.849.8100 Toll Free: 800/755-6274

0223 - GS66.04FFB

Web Site: [www.grahamwindows.com](http://www.grahamwindows.com)

Projected - 2 1/2"  
 Equal Sightline



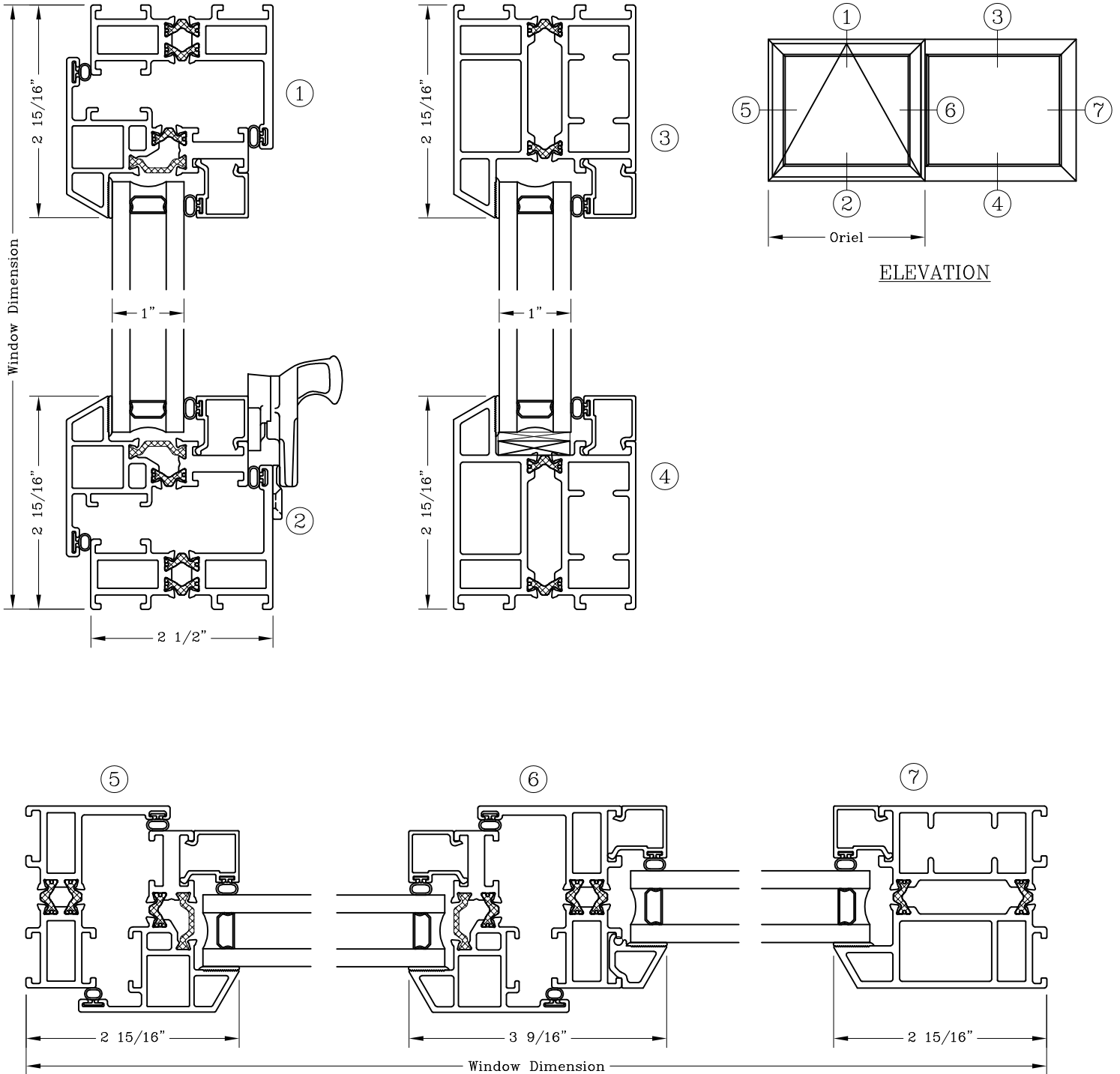
Outswing Awning/Fixed

Series: GS6600

Manufacturing Code: GS6605B

Drawing 1/2 Scale - For Custom Size Drawing Contact Graham

Note: Sealant Not Shown On Details. Refer To General Installation Instructions.



Note: Dashed Lines Represent Inswing Vented Units Solid Lines Represent  
 Outswing Vented Units; Lines Converge At Hinge Side Of Vent

Graham Architectural Products reserves the right to change, add, cancel, remove or otherwise modify the details illustrated without prior notice.

1551 Mt. Rose Avenue, York, Pennsylvania 17403-2909 717.849.8100 Toll Free: 800/755-6274

0223 - GS66.05B

Web Site: www.grahamwindows.com



Projected - 2 1/2"  
 Equal Sightline



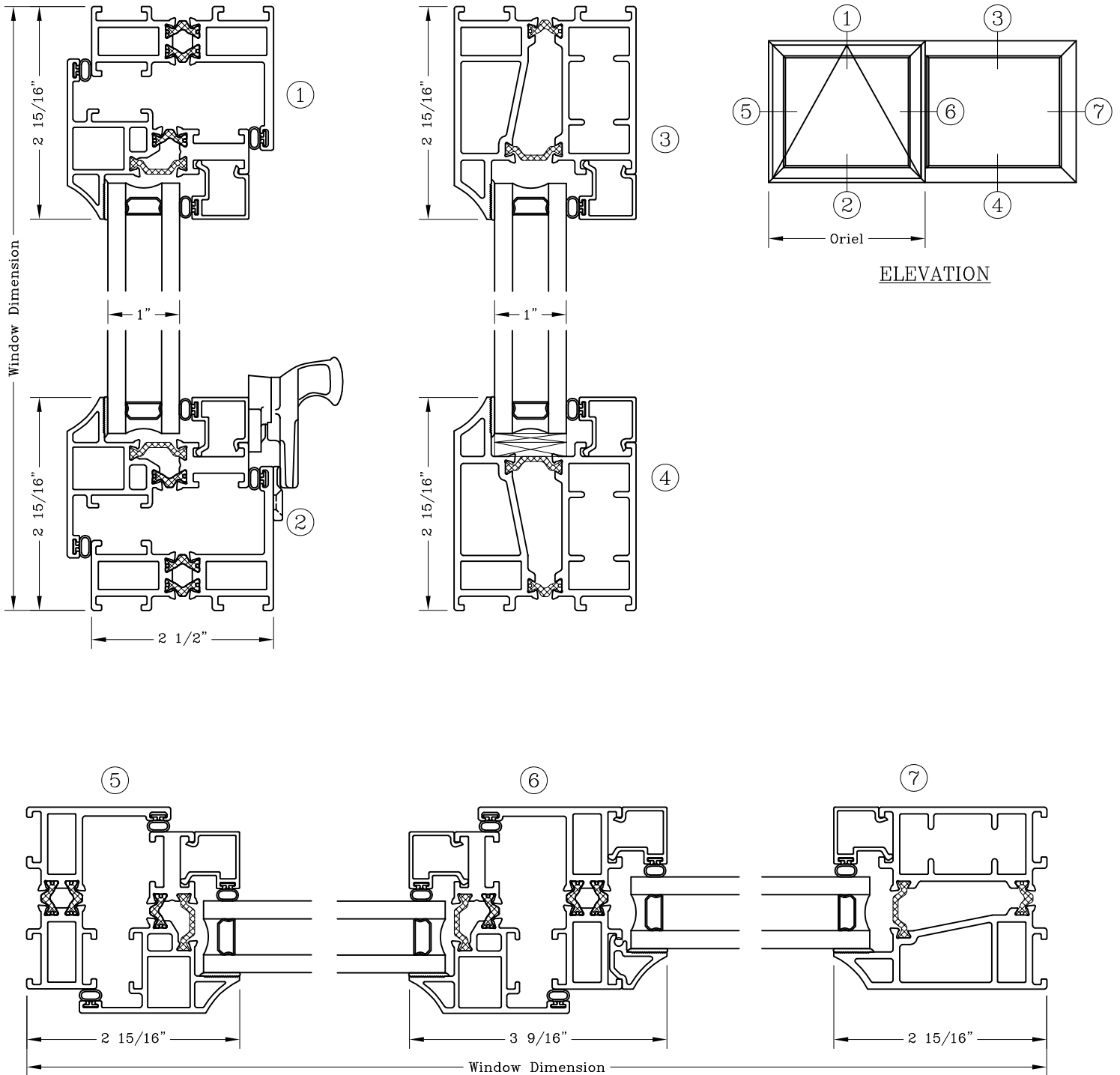
Outswing Awning/Fixed

Series: GS6600

Manufacturing Code: GS6605C

Drawing 1/2 Scale - For Custom Size Drawing Contact Graham

Note: Sealant Not Shown On Details. Refer To General Installation Instructions.



Note: Dashed Lines Represent Inswing Vented Units Solid Lines Represent  
 Outswing Vented Units; Lines Converge At Hinge Side Of Vent

Graham Architectural Products reserves the right to change, add, cancel, remove or otherwise modify the details illustrated without prior notice.

1551 Mt. Rose Avenue, York, Pennsylvania 17403-2909 717.849.8100 Toll Free: 800/755-6274

0223 - GS66.05C

Web Site: www.grahamwindows.com

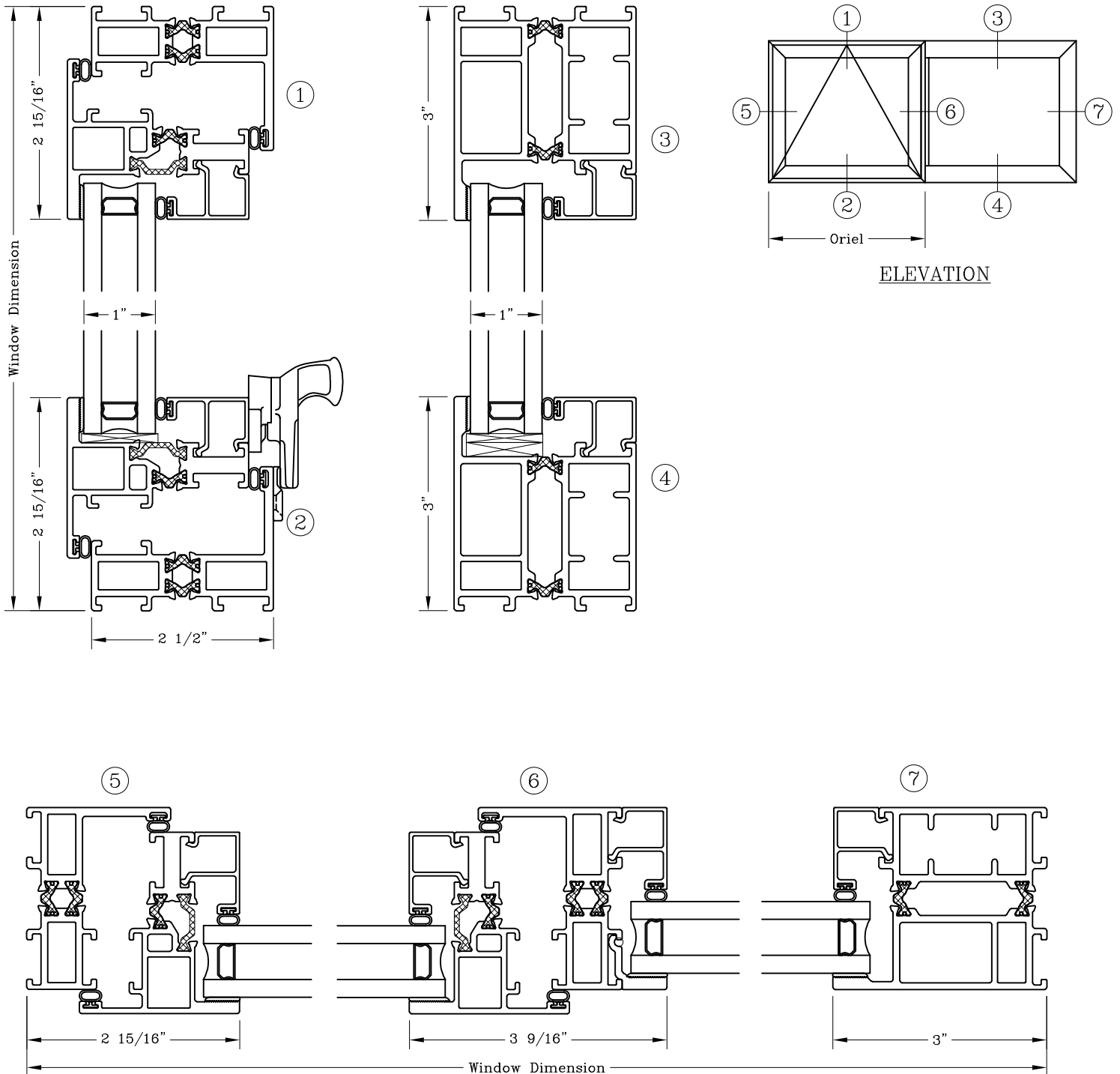
Projected - 2 1/2"  
 Equal Sightline  
 Outswing Awning/Fixed



Series: GS6600 Manufacturing Code: GS6605F

Drawing 1/2 Scale - For Custom Size Drawing Contact Graham

Note: Sealant Not Shown On Details. Refer To General Installation Instructions.



Note: Dashed Lines Represent Inswing Vented Units Solid Lines Represent Outswing Vented Units; Lines Converge At Hinge Side Of Vent

Graham Architectural Products reserves the right to change, add, cancel, remove or otherwise modify the details illustrated without prior notice.

1551 Mt. Rose Avenue, York, Pennsylvania 17403-2909 717.849.8100 Toll Free: 800/755-6274

0519 - GS66.05F

Web Site: www.grahamwindows.com

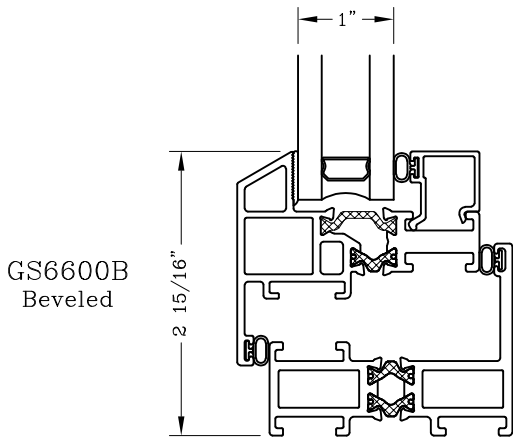
# Profile And Frame Options 2 1/2" Frame



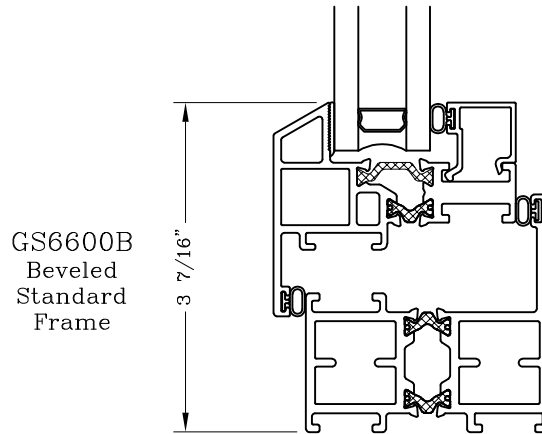
Series: GS6600 Manufacturing Code: GS6613B

Drawing 1/2 Scale – For Custom Size Drawing Contact Graham

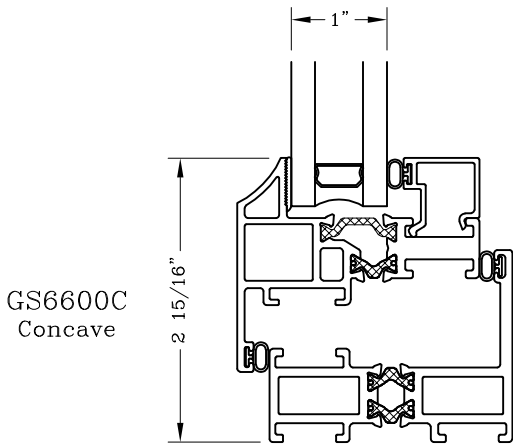
Note: Sealant Not Shown On Details. Refer To General Installation Instructions.



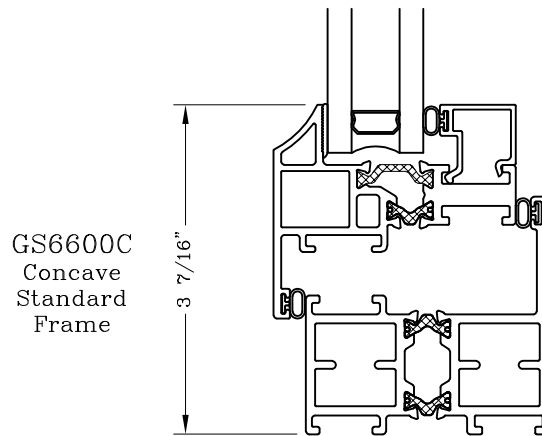
GS6600B  
Beveled



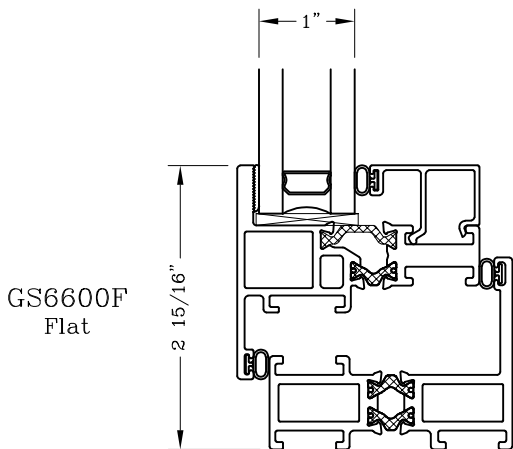
GS6600B  
Beveled  
Standard  
Frame



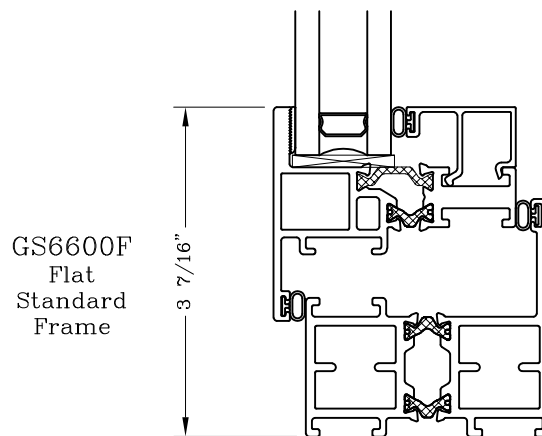
GS6600C  
Concave



GS6600C  
Concave  
Standard  
Frame



GS6600F  
Flat



GS6600F  
Flat  
Standard  
Frame

Note: Dashed Lines Represent Inswing Vented Units Solid Lines Represent  
Outswing Vented Units; Lines Converge At Hinge Side Of Vent

Graham Architectural Products reserves the right to change, add, cancel, remove or otherwise modify the details illustrated without prior notice.

1551 Mt. Rose Avenue, York, Pennsylvania 17403-2909 717.849.8100 Toll Free: 800/755-6274

0223 – GS66.13B

Web Site: [www.grahamwindows.com](http://www.grahamwindows.com)

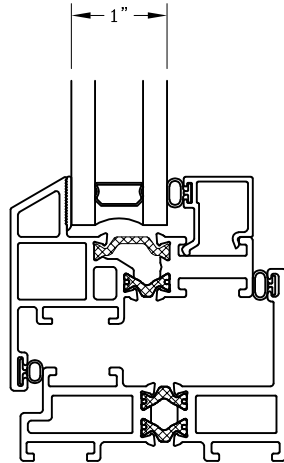
# Exterior Profile Options 2 1/2" Frame – Flush Face



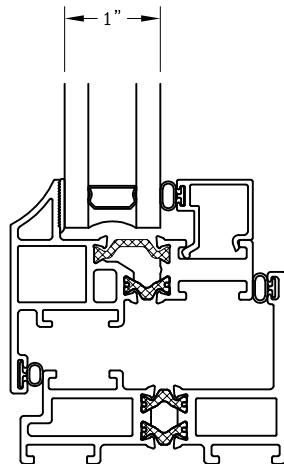
Series: GS6600FF Manufacturing Code: GS6613FFB

Drawing 1/2 Scale – For Custom Size Drawing Contact Graham

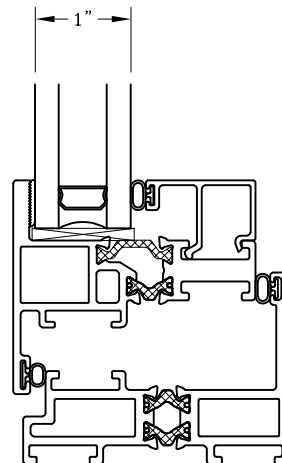
Note: Sealant Not Shown On Details. Refer To General Installation Instructions.



GS6600B  
Beveled



GS6600C  
Concave



GS6600F  
Flat

Note: Dashed Lines Represent Inswing Vented Units Solid Lines Represent  
Outswing Vented Units; Lines Converge At Hinge Side Of Vent  
Graham Architectural Products reserves the right to change, add, cancel, remove or otherwise modify the details illustrated without prior notice.

1551 Mt. Rose Avenue, York, Pennsylvania 17403-2909 717.849.8100 Toll Free: 800/755-6274

Web Site: [www.grahamwindows.com](http://www.grahamwindows.com)

0223 – GS66.13FFB

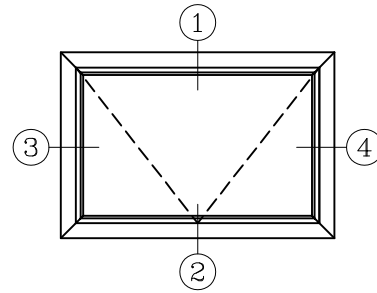
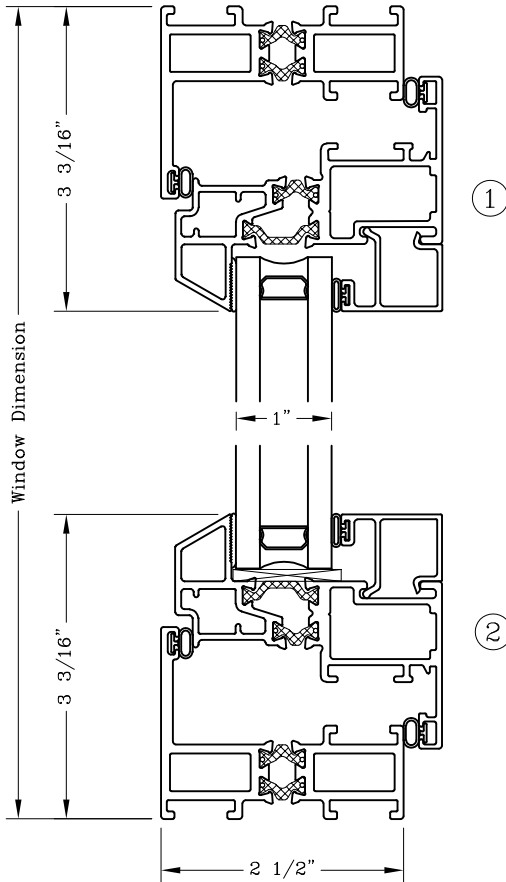
Projected - 2 1/2"  
 Equal Sightline  
 Inswing Projected



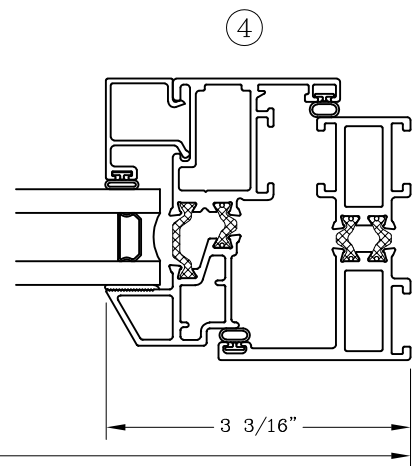
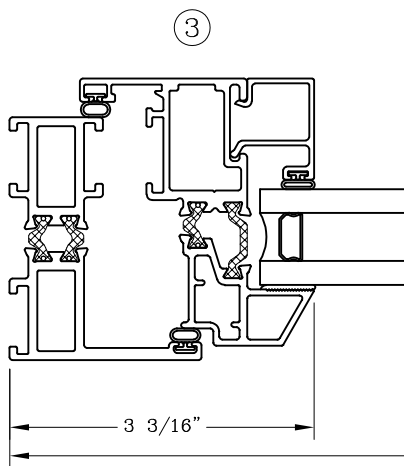
Series: GS6600 Manufacturing Code: GS6621B

Drawing 1/2 Scale - For Custom Size Drawing Contact Graham

Note: Sealant Not Shown On Details. Refer To General Installation Instructions.



ELEVATION



Window Dimension

Graham Architectural Products reserves the right to change, add, cancel, remove or otherwise modify the details illustrated without prior notice.

1551 Mt. Rose Avenue, York, Pennsylvania 17403-2909 717.849.8100 Toll Free: 800/755-6274

0223 - GS66.21B

Web Site: www.grahamwindows.com

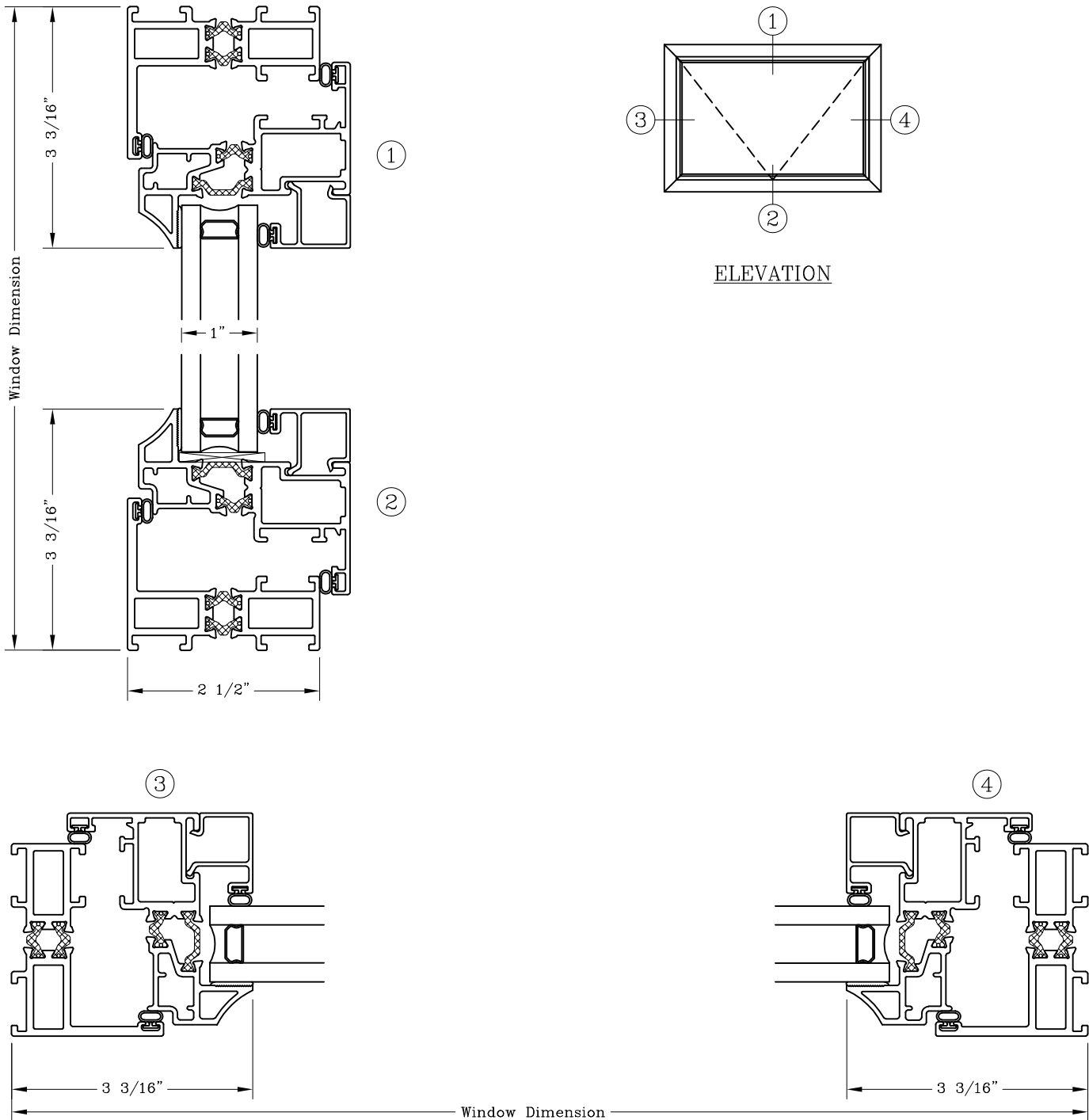
Projected - 2 1/2"  
 Equal Sightline  
 Inswing Projected



Series: GS6600      Manufacturing Code: GS6621C

Drawing 1/2 Scale - For Custom Size Drawing Contact Graham

Note: Sealant Not Shown On Details. Refer To General Installation Instructions.



Graham Architectural Products reserves the right to change, add, cancel, remove or otherwise modify the details illustrated without prior notice.

1551 Mt. Rose Avenue, York, Pennsylvania 17403-2909 717.849.8100 Toll Free: 800/755-6274

0223 - GS66.21C

Web Site: [www.grahamwindows.com](http://www.grahamwindows.com)

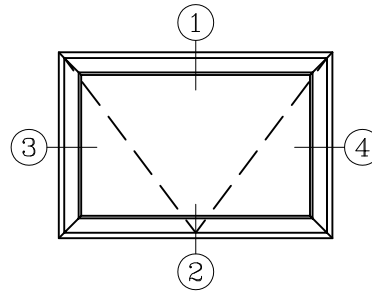
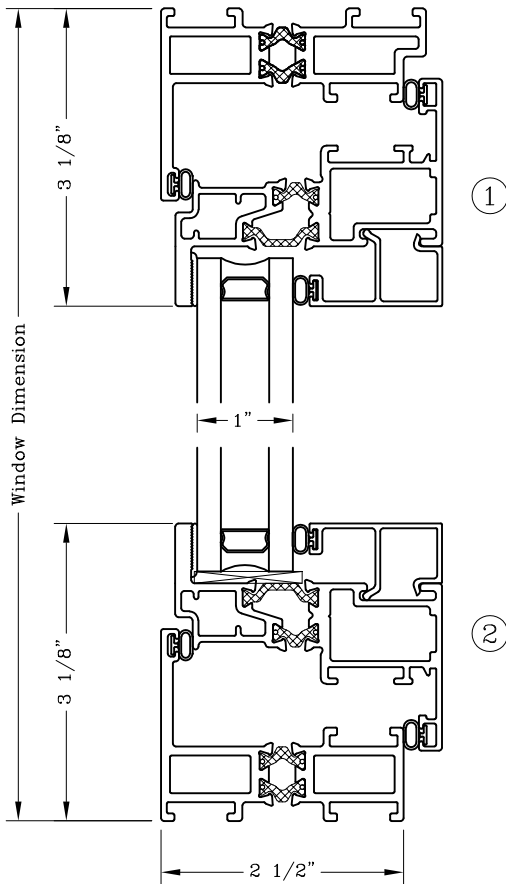
Projected - 2 1/2"  
 Equal Sightline  
 Inswing Projected



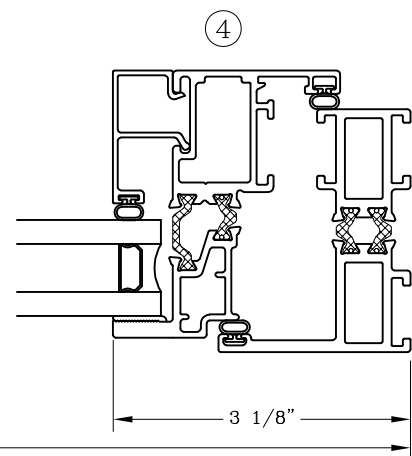
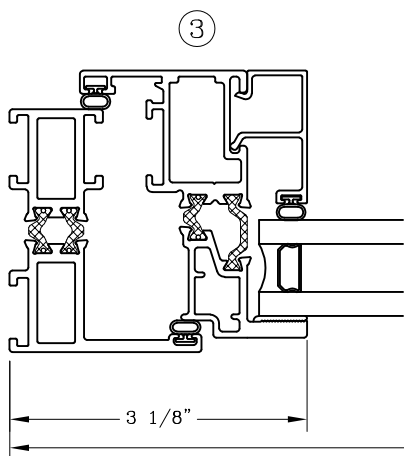
Series: GS6600 Manufacturing Code: GS6621F

Drawing 1/2 Scale - For Custom Size Drawing Contact Graham

Note: Sealant Not Shown On Details. Refer To General Installation Instructions.



ELEVATION



Window Dimension

Graham Architectural Products reserves the right to change, add, cancel, remove or otherwise modify the details illustrated without prior notice.

1551 Mt. Rose Avenue, York, Pennsylvania 17403-2909 717.849.8100 Toll Free: 800/755-6274

0223 - GS66.21F

Web Site: www.grahamwindows.com

Projected - 2 1/2"

Narrow Sightline

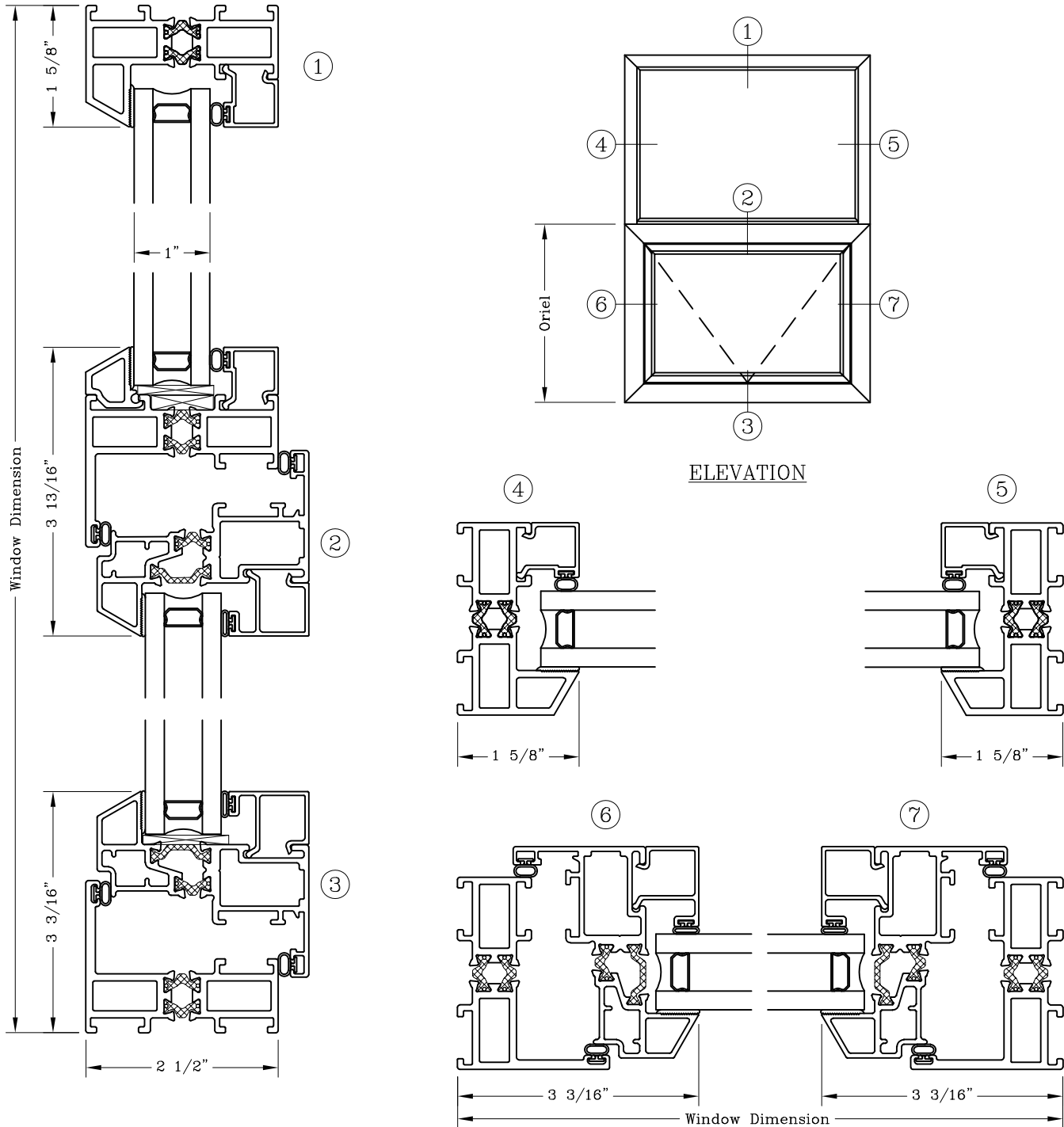
Fixed Over Inswing Projected

Series: GS6600

Manufacturing Code: GS6622B

Drawing 1/2 Scale - For Custom Size Drawing Contact Graham

Note: Sealant Not Shown On Details. Refer To General Installation Instructions.



Graham Architectural Products reserves the right to change, add, cancel, remove or otherwise modify the details illustrated without prior notice.

1551 Mt. Rose Avenue, York, Pennsylvania 17403-2909 717.849.8100 Toll Free: 800/755-6274

0223 - GS66.22B

Web Site: www.grahamwindows.com



Projected - 2 1/2"

Narrow Sightline

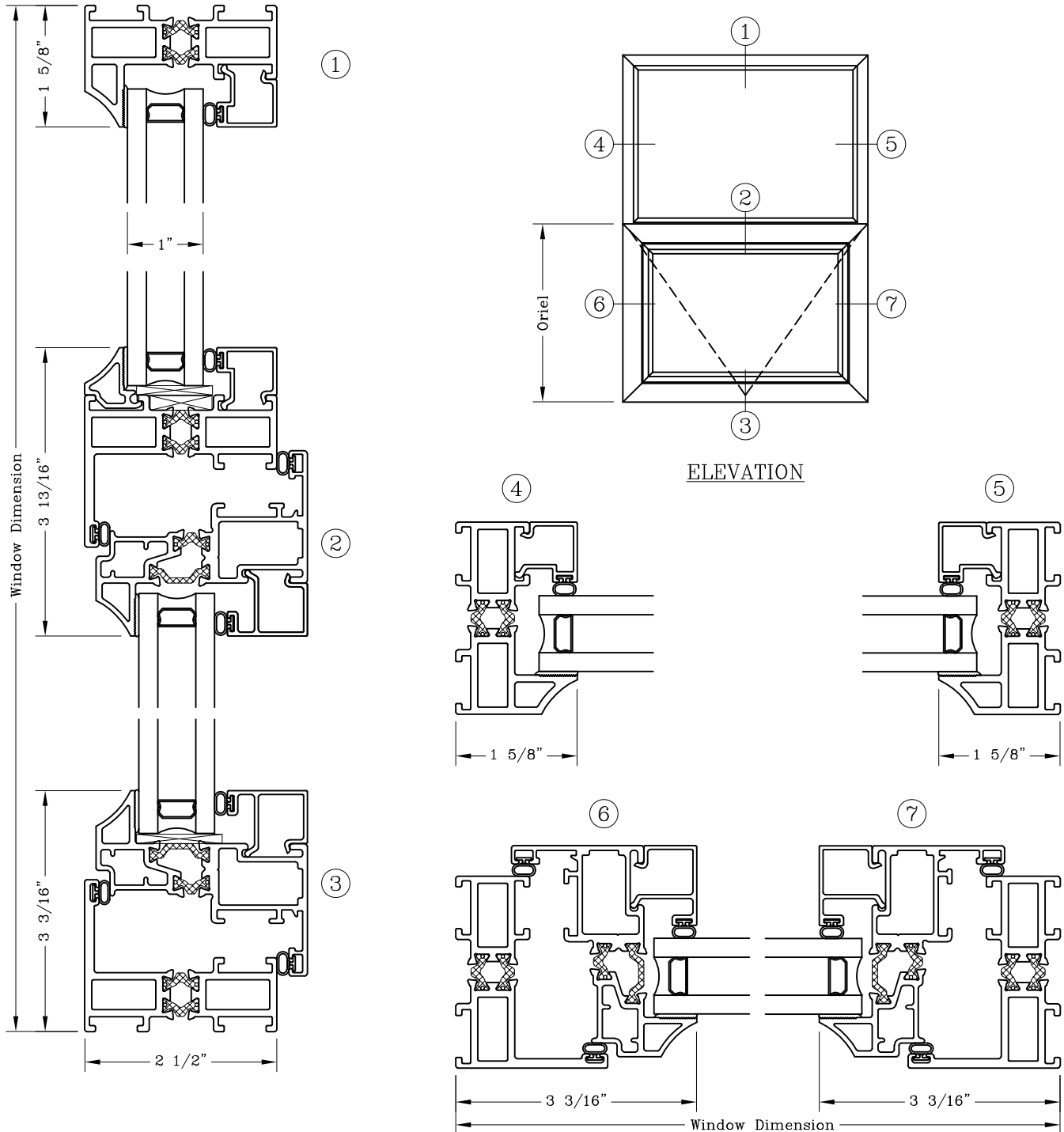
Fixed Over Inswing Projected

Series: GS6600

Manufacturing Code: GS6622C

Drawing 1/2 Scale - For Custom Size Drawing Contact Graham

Note: Sealant Not Shown On Details. Refer To General Installation Instructions.



Graham Architectural Products reserves the right to change, add, cancel, remove or otherwise modify the details illustrated without prior notice.

1551 Mt. Rose Avenue, York, Pennsylvania 17403-2909 717.849.8100 Toll Free: 800/755-6274

0223 - GS66.22C

Web Site: [www.grahamwindows.com](http://www.grahamwindows.com)

Projected - 2 1/2"

Narrow Sightline

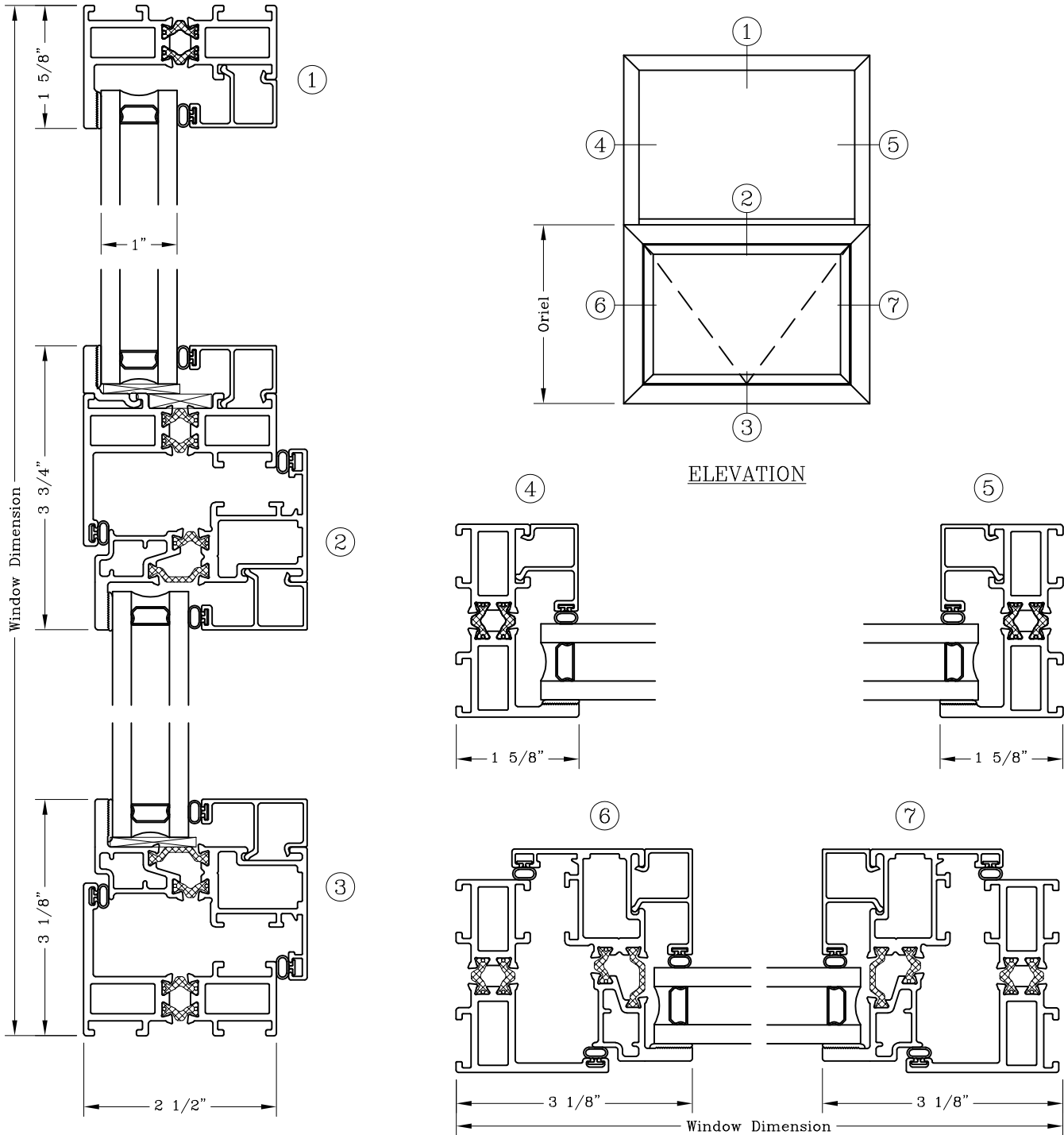
Fixed Over Inswing Projected

Series: GS6600

Manufacturing Code: GS6622F

Drawing 1/2 Scale - For Custom Size Drawing Contact Graham

Note: Sealant Not Shown On Details. Refer To General Installation Instructions.



Graham Architectural Products reserves the right to change, add, cancel, remove or otherwise modify the details illustrated without prior notice.

1551 Mt. Rose Avenue, York, Pennsylvania 17403-2909 717.849.8100 Toll Free: 800/755-6274

0223 - GS66.22F

Web Site: [www.grahamwindows.com](http://www.grahamwindows.com)

Projected - 2 1/2"

Equal Sightline

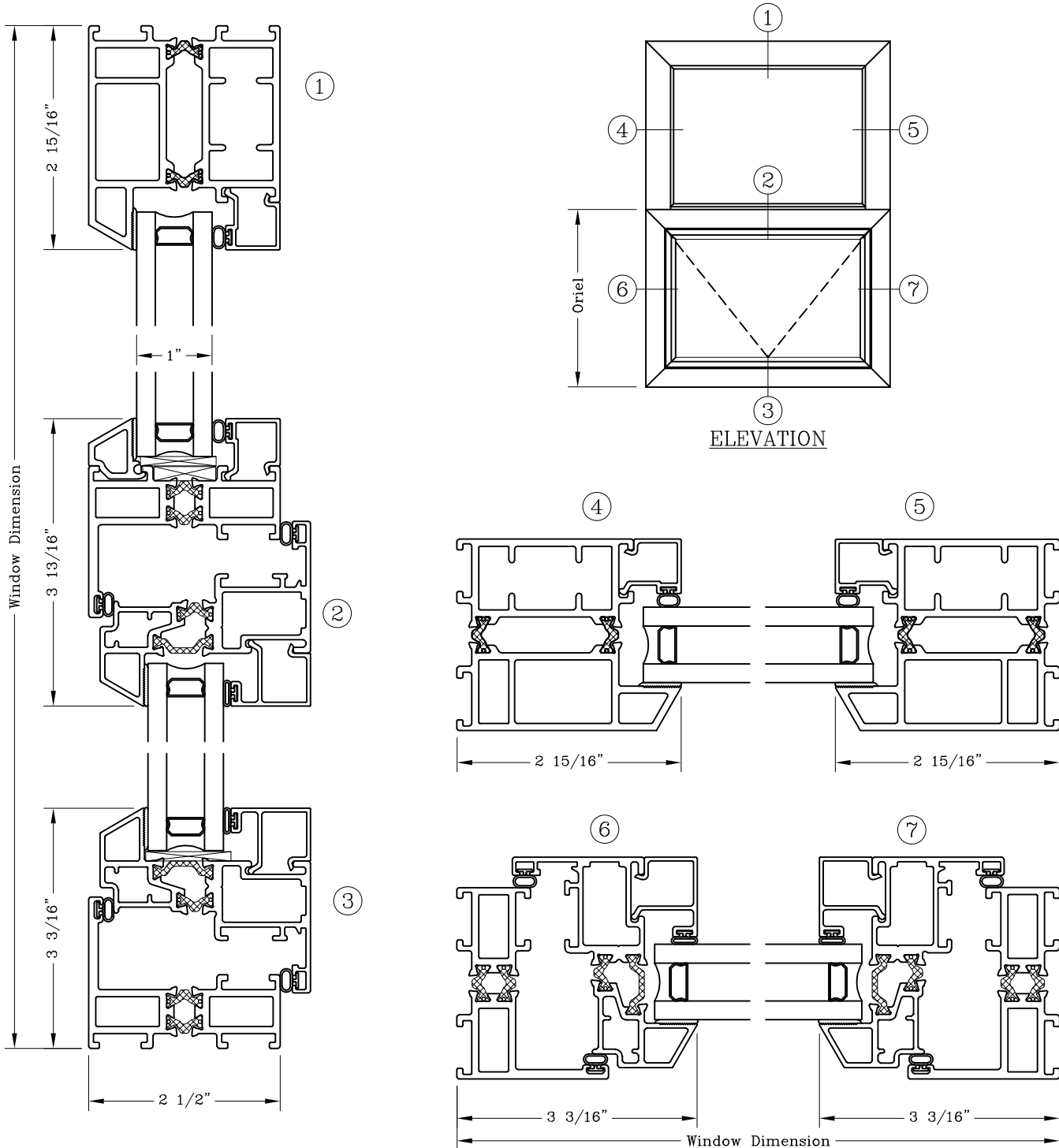
Fixed Over Inswing Projected

Series: GS6600

Manufacturing Code: GS6623B

Drawing 1/2 Scale - For Custom Size Drawing Contact Graham

Note: Sealant Not Shown On Details. Refer To General Installation Instructions.



Graham Architectural Products reserves the right to change, add, cancel, remove or otherwise modify the details illustrated without prior notice.

1551 Mt. Rose Avenue, York, Pennsylvania 17403-2909 717.849.8100 Toll Free: 800/755-6274

0223 - GS66.23B

Web Site: [www.grahamwindows.com](http://www.grahamwindows.com)

Projected - 2 1/2"

Equal Sightline

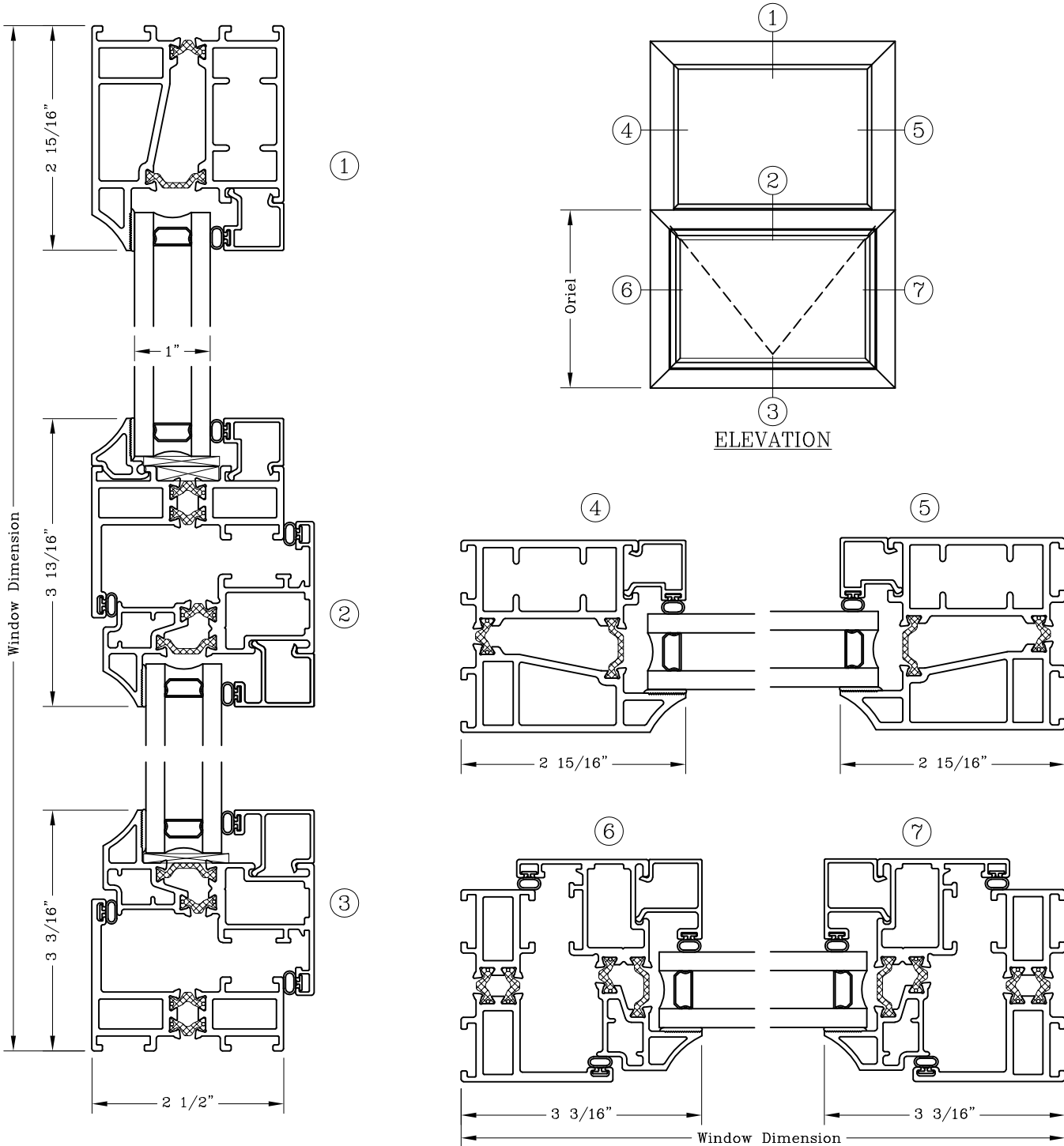
Fixed Over Inswing Projected

Series: GS6600

Manufacturing Code: GS6623C

Drawing 1/2 Scale - For Custom Size Drawing Contact Graham

Note: Sealant Not Shown On Details. Refer To General Installation Instructions.



Graham Architectural Products reserves the right to change, add, cancel, remove or otherwise modify the details illustrated without prior notice.

1551 Mt. Rose Avenue, York, Pennsylvania 17403-2909 717.849.8100 Toll Free: 800/755-6274

0223 - GS66.23C

Web Site: [www.grahamwindows.com](http://www.grahamwindows.com)

Projected - 2 1/2"

Equal Sightline

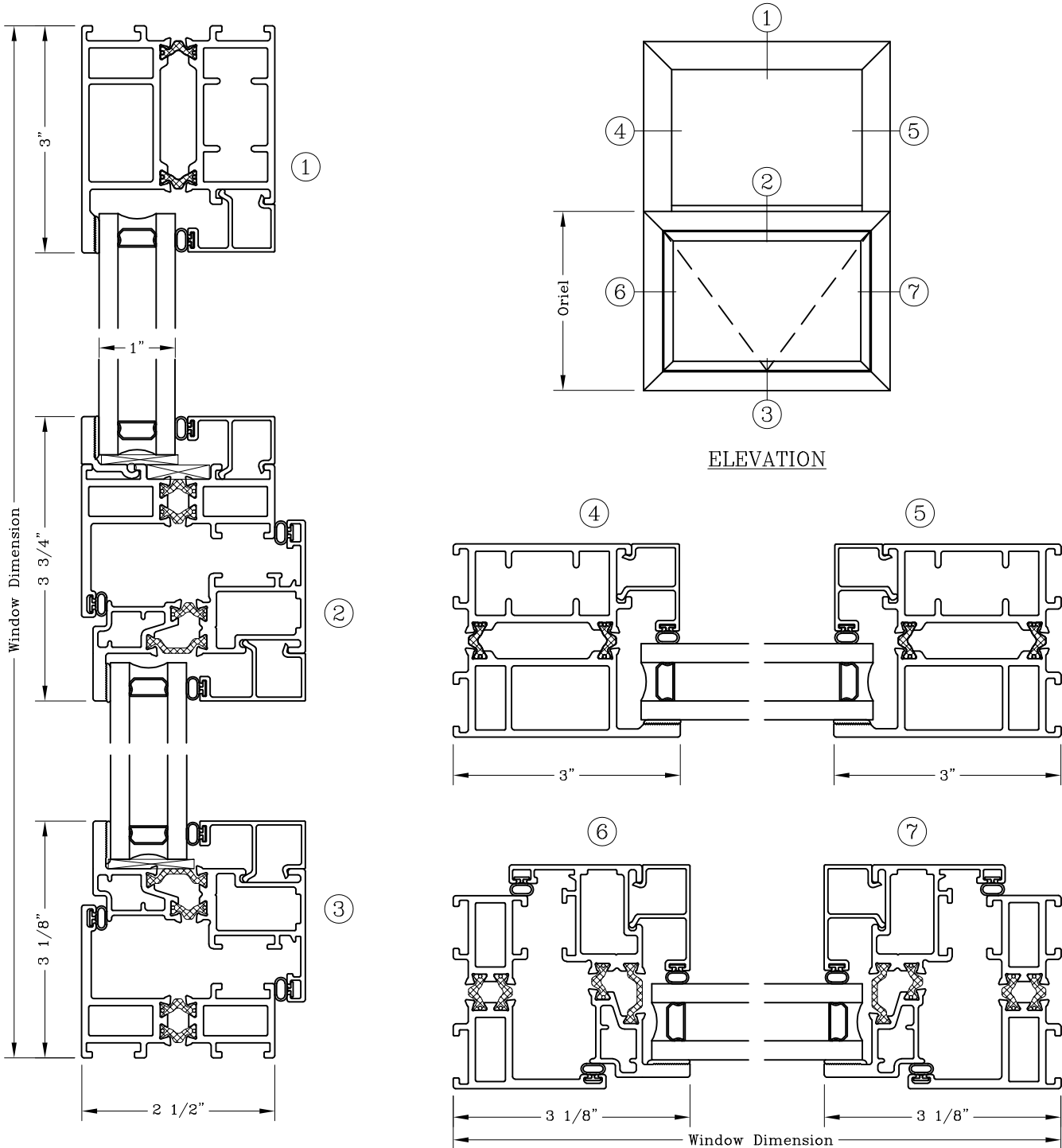
Fixed Over Inswing Projected

Series: GS6600

Manufacturing Code: GS6623F

Drawing 1/2 Scale - For Custom Size Drawing Contact Graham

Note: Sealant Not Shown On Details. Refer To General Installation Instructions.



Graham Architectural Products reserves the right to change, add, cancel, remove or otherwise modify the details illustrated without prior notice.

1551 Mt. Rose Avenue, York, Pennsylvania 17403-2909 717.849.8100 Toll Free: 800/755-6274

0223 - GS66.23F

Web Site: [www.grahamwindows.com](http://www.grahamwindows.com)

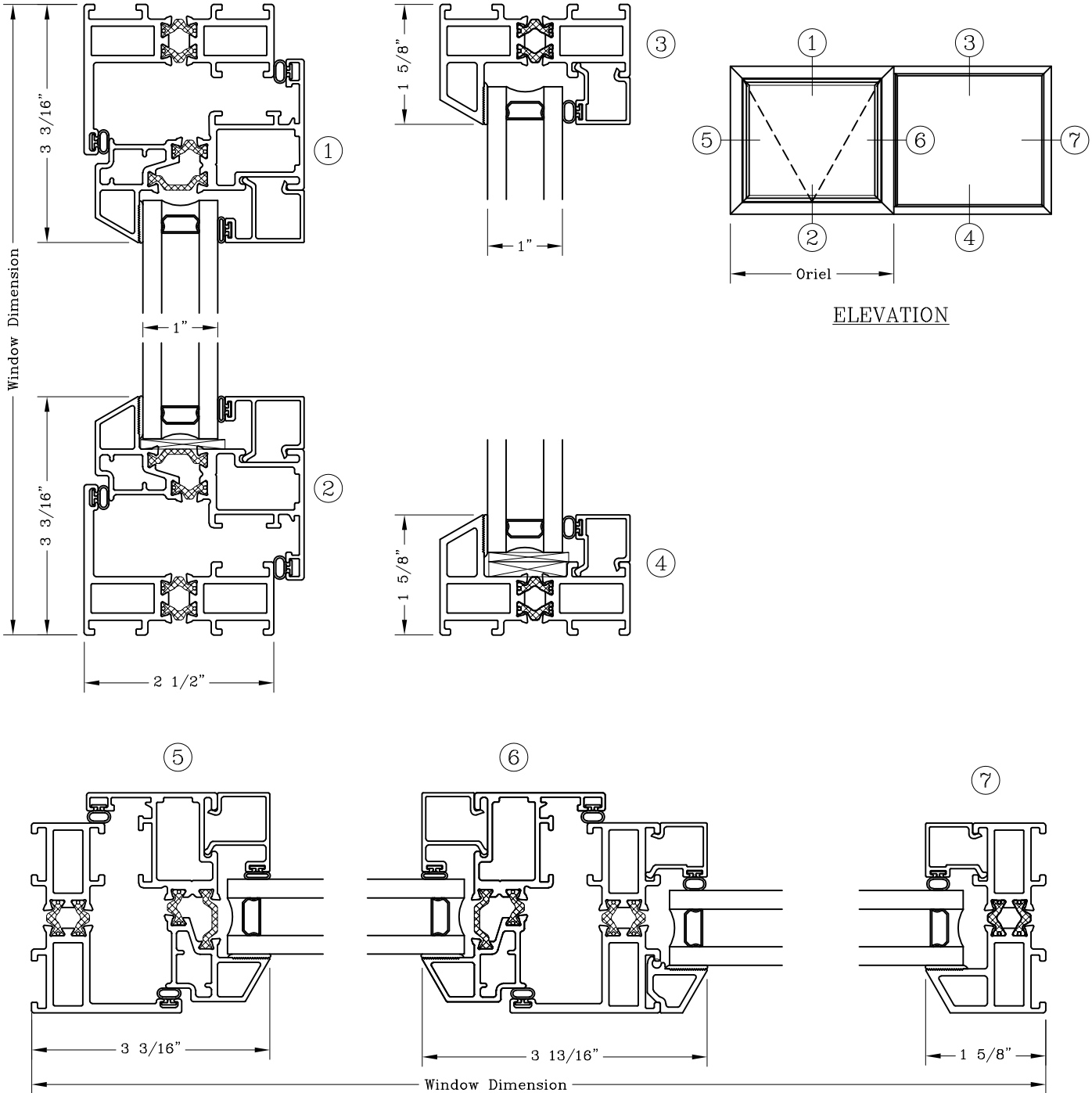
Projected - 2 1/2"  
 Narrow Sightline  
 Inswing Projected/Fixed

Series: GS6600

Manufacturing Code: GS6624B

Drawing 1/2 Scale - For Custom Size Drawing Contact Graham

Note: Sealant Not Shown On Details. Refer To General Installation Instructions.



Projected - 2 1/2"  
Narrow Sightline



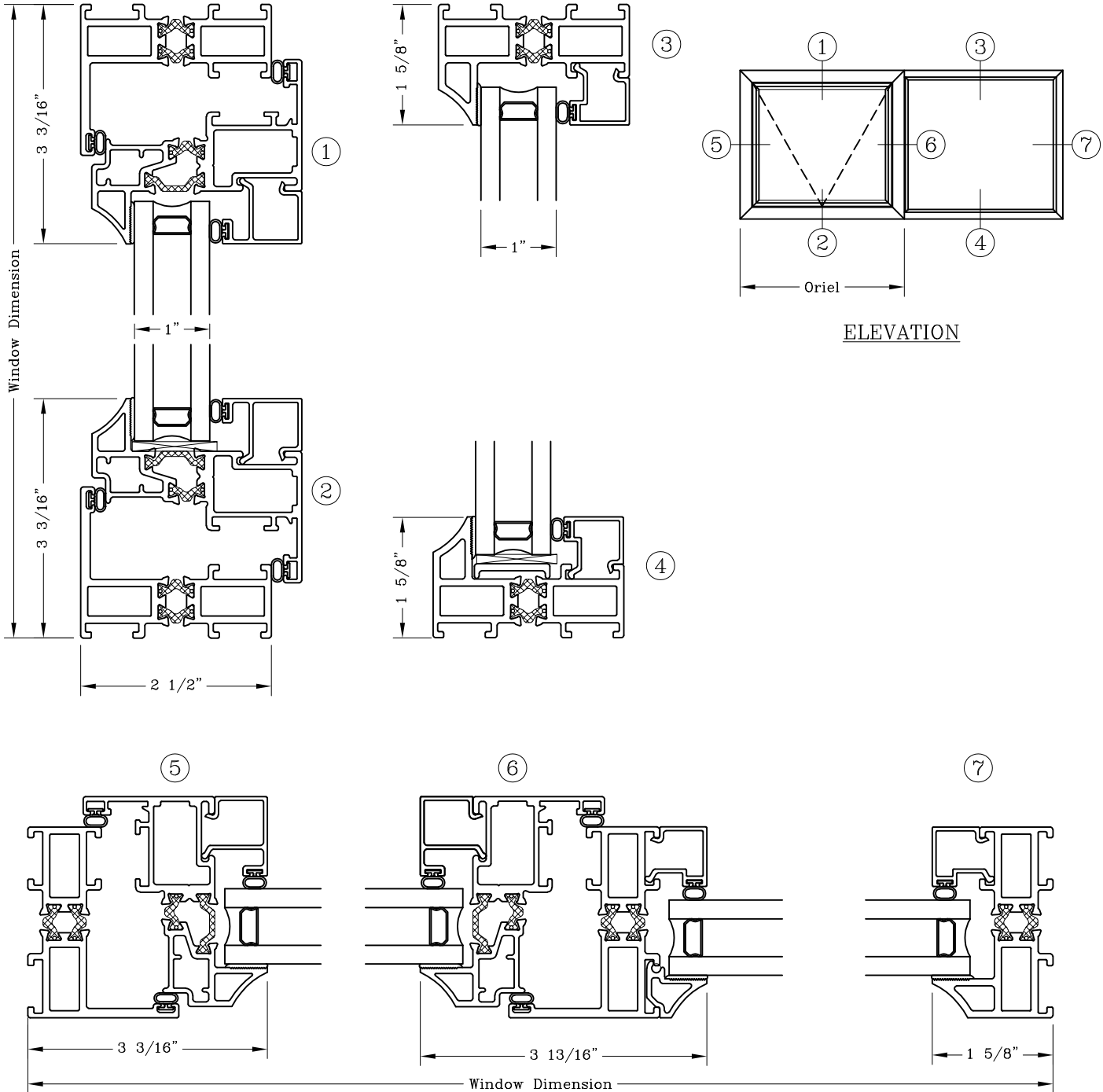
Inswing Projected/Fixed

Series: GS6600

Manufacturing Code: GS6624C

Drawing 1/2 Scale - For Custom Size Drawing Contact Graham

Note: Sealant Not Shown On Details. Refer To General Installation Instructions.



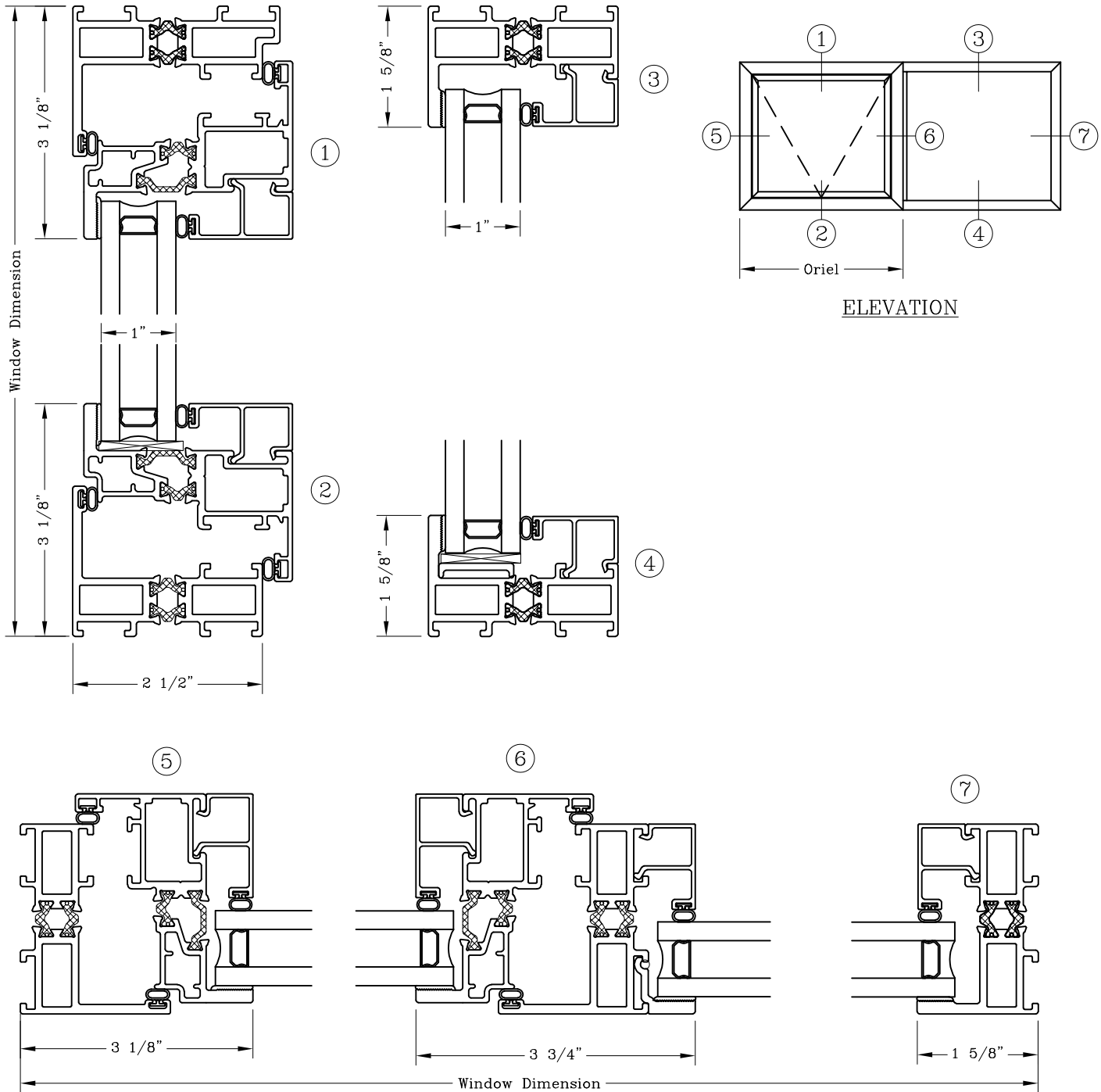
Projected - 2 1/2"  
 Narrow Sightline  
 Inswing Projected/Fixed



Series: GS6600 Manufacturing Code: GS6624F

Drawing 1/2 Scale - For Custom Size Drawing Contact Graham

Note: Sealant Not Shown On Details. Refer To General Installation Instructions.





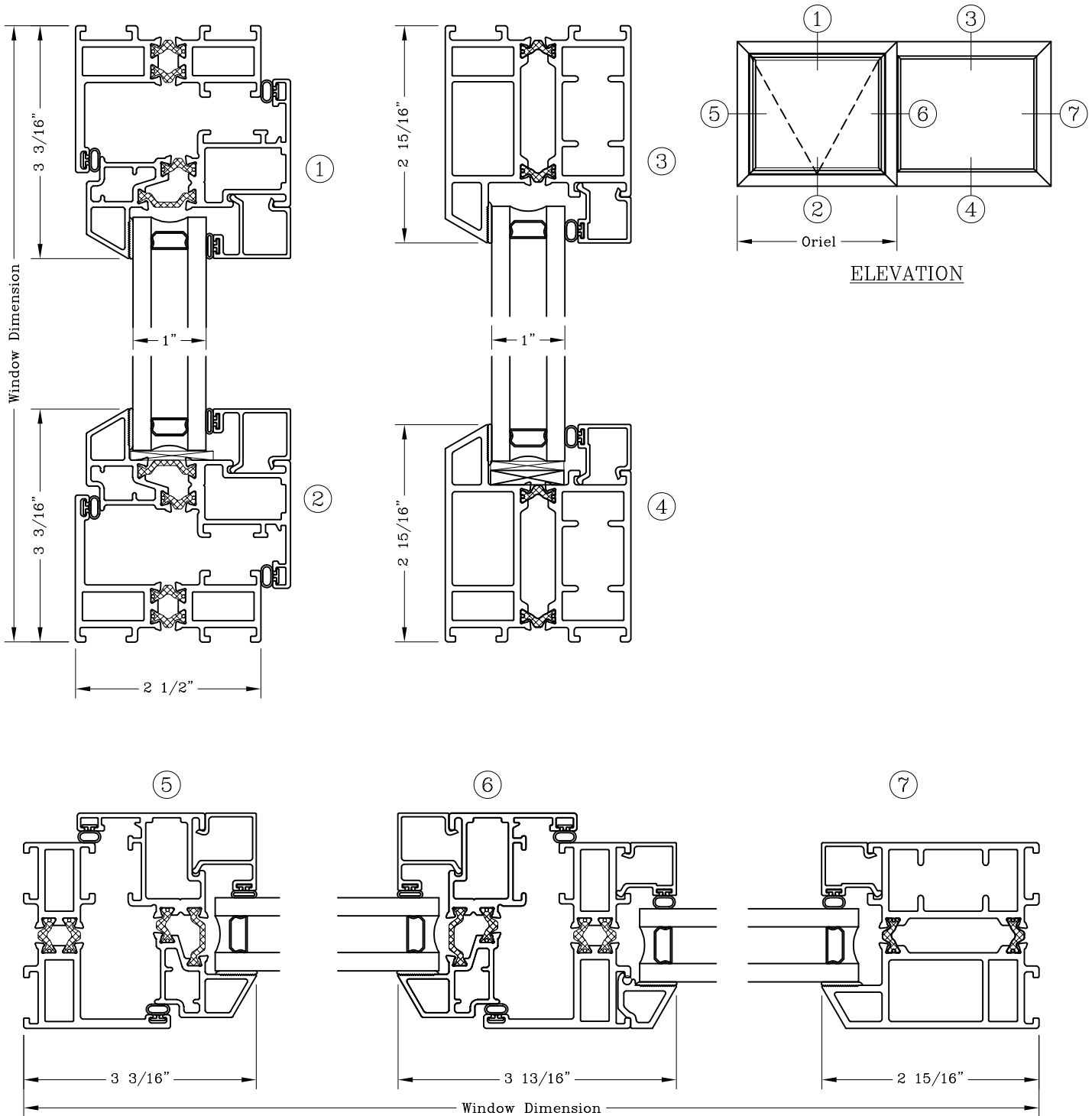
Projected - 2 1/2"  
 Equal Sightline  
 Inswing Projected/Fixed



Series: GS6600 Manufacturing Code: GS6625B

Drawing 1/2 Scale - For Custom Size Drawing Contact Graham

Note: Sealant Not Shown On Details. Refer To General Installation Instructions.



Projected - 2 1/2"  
 Equal Sightline



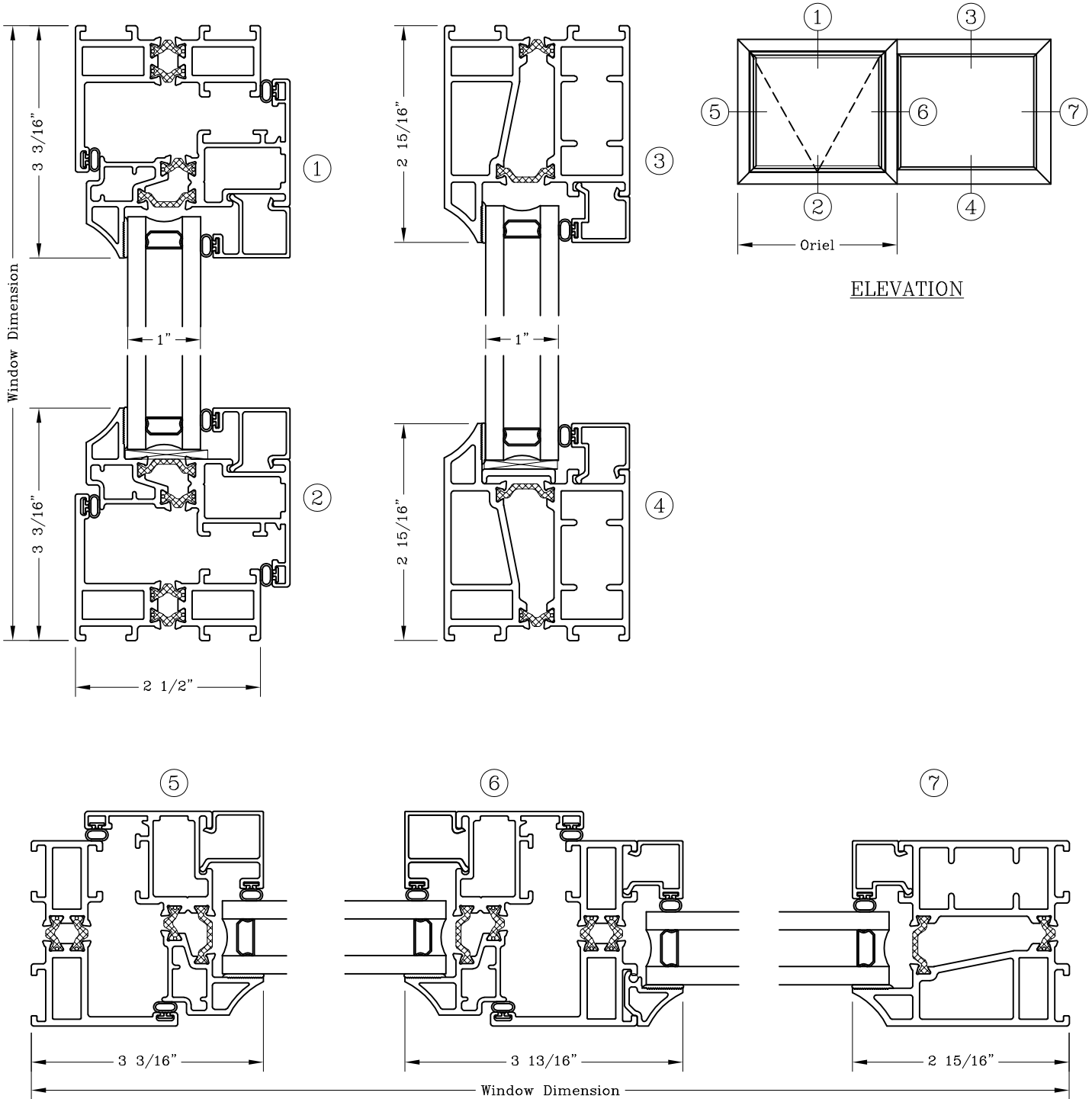
Inswing Projected/Fixed

Series: GS6600

Manufacturing Code: GS6625C

Drawing 1/2 Scale - For Custom Size Drawing Contact Graham

Note: Sealant Not Shown On Details. Refer To General Installation Instructions.



Projected - 2 1/2"  
 Equal Sightline

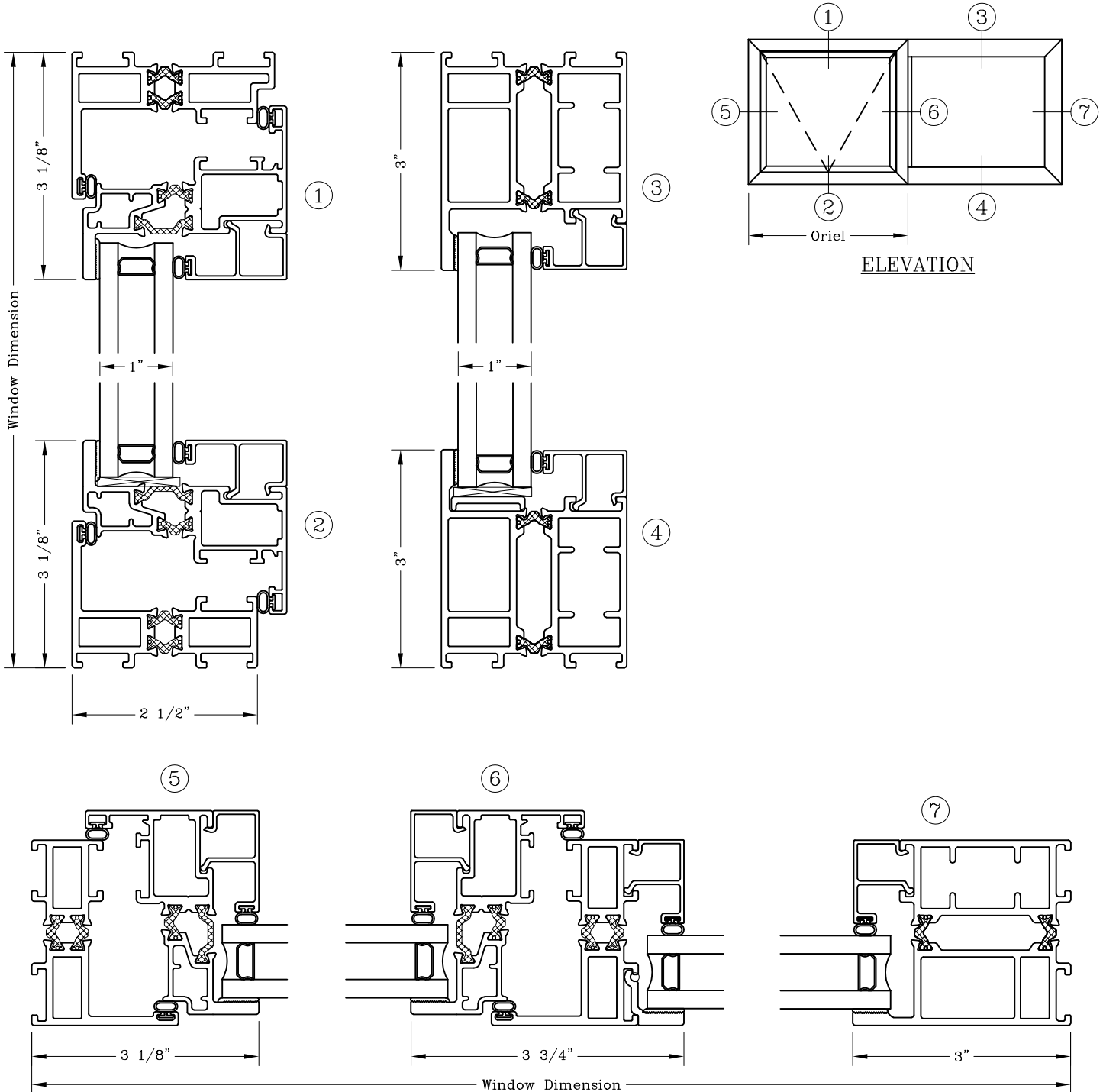
Inswing Projected/Fixed

Series: GS6600

Manufacturing Code: GS6625F

Drawing 1/2 Scale - For Custom Size Drawing Contact Graham

Note: Sealant Not Shown On Details. Refer To General Installation Instructions.



Graham Architectural Products reserves the right to change, add, cancel, remove or otherwise modify the details illustrated without prior notice.

1551 Mt. Rose Avenue, York, Pennsylvania 17403-2909 717.849.8100 Toll Free: 800/755-6274

0223 - GS66.25F

Web Site: [www.grahamwindows.com](http://www.grahamwindows.com)

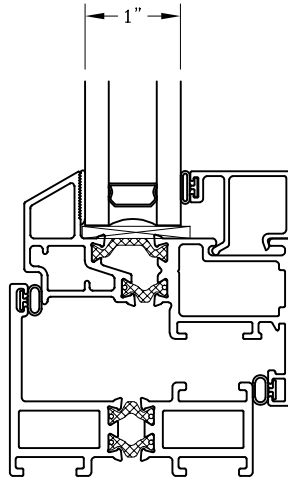
# Exterior Profile Options 2 1/2" Frame



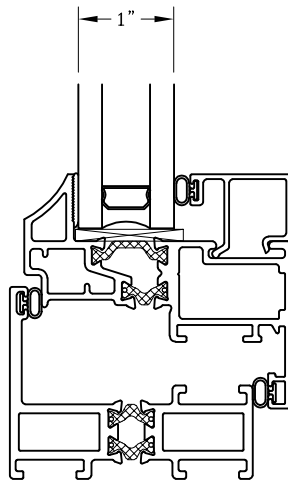
Series: GS6600 Manufacturing Code: GS6633B

Drawing 1/2 Scale – For Custom Size Drawing Contact Graham

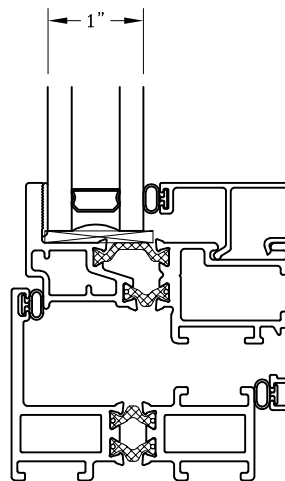
Note: Sealant Not Shown On Details. Refer To General Installation Instructions.



GS6600B  
Beveled



GS6600C  
Concave



GS6600F  
Flat

Graham Architectural Products reserves the right to change, add, cancel, remove or otherwise modify the details illustrated without prior notice.

1551 Mt. Rose Avenue, York, Pennsylvania 17403-2909 717.849.8100 Toll Free: 800/755-6274

0223 – GS66.33B

Web Site: [www.grahamwindows.com](http://www.grahamwindows.com)