

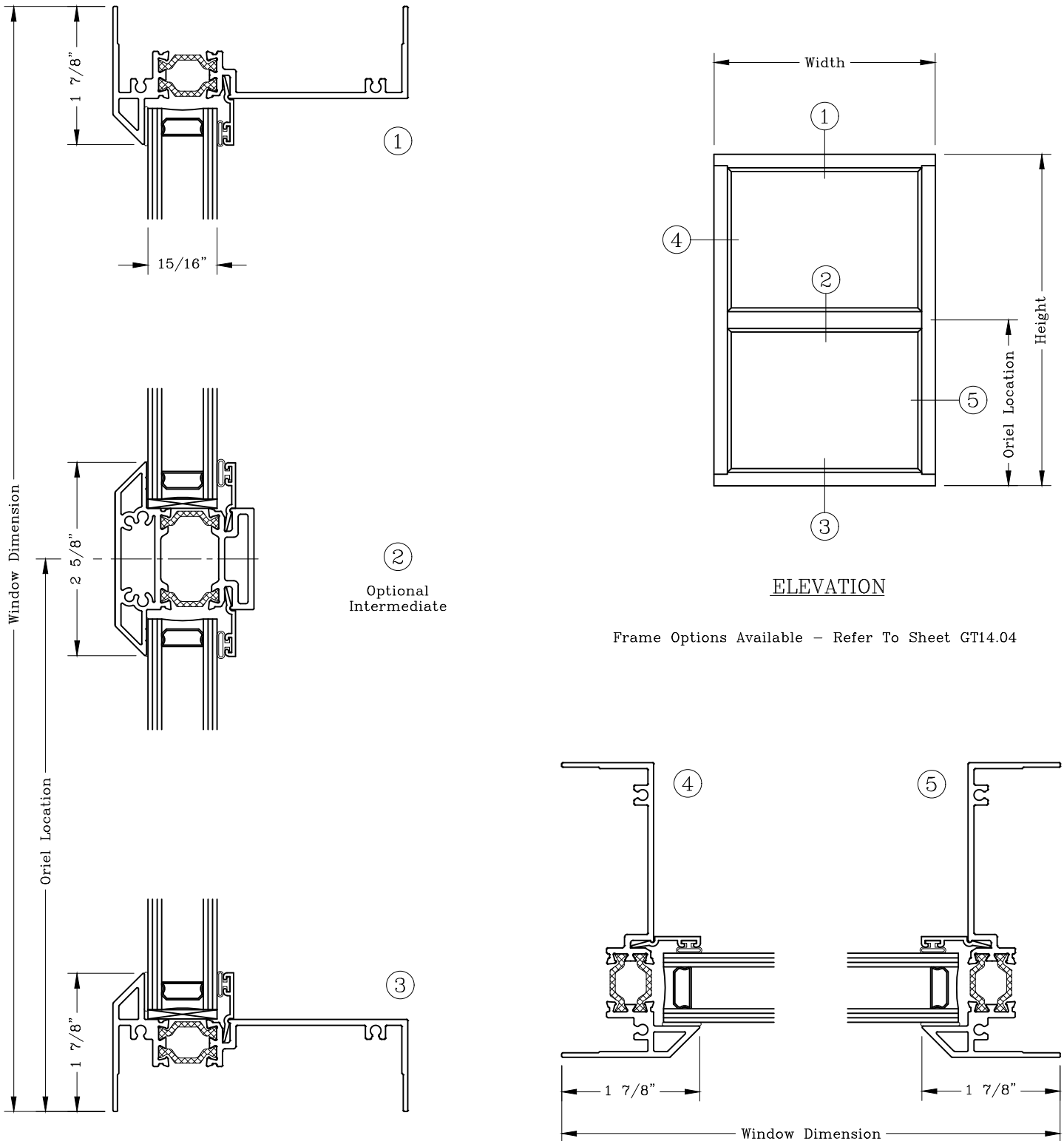
Fixed – Historic Narrow – 4” Historic Glazing



Series: GT1400H Manufacturing Code: GT1403

Drawing 1/2 Scale – For Custom Size Drawing Contact Graham

Note: Sealant Not Shown On Details. Refer To General Installation Instructions.



Graham Architectural Products reserves the right to change, add, cancel, remove or otherwise modify the details illustrated without prior notice.

1551 Mt. Rose Avenue, York, Pennsylvania 17403-2909 717.849.8100 Toll Free: 800/755-6274

0324 – GT14.03

Web Site: www.grahamwindows.com

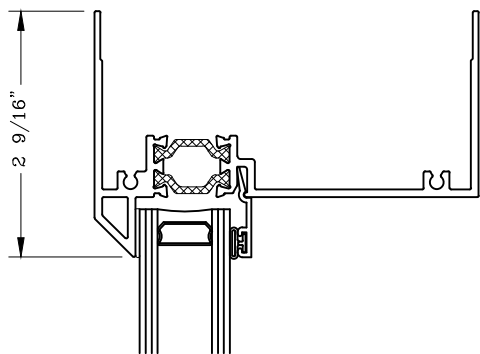
Fixed Historic – 4” Frame Options



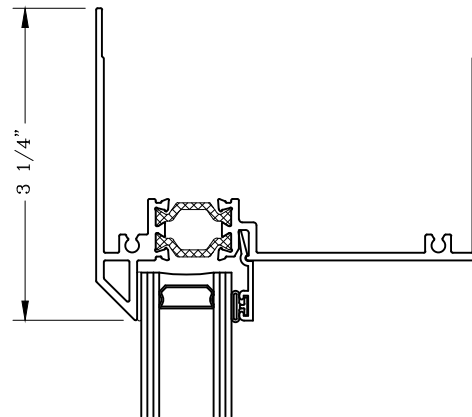
Series: GT1400H Manufacturing Code: GT1404

Drawing 1/2 Scale – For Custom Size Drawing Contact Graham

Note: Sealant Not Shown On Details. Refer To General Installation Instructions.



Fixed Frame Historic
Shown With Bead – Glazed Insulated Glass
#220311



Fixed Frame Historic
Shown With Bead – Glazed Insulated Glass
#220312

Graham Architectural Products reserves the right to change, add, cancel, remove or otherwise modify the details illustrated without prior notice.

1551 Mt. Rose Avenue, York, Pennsylvania 17403-2909 800/755-6274 Fax: 800/366-5097

Web Site: www.grahamwindows.com

0322 – GT14.04

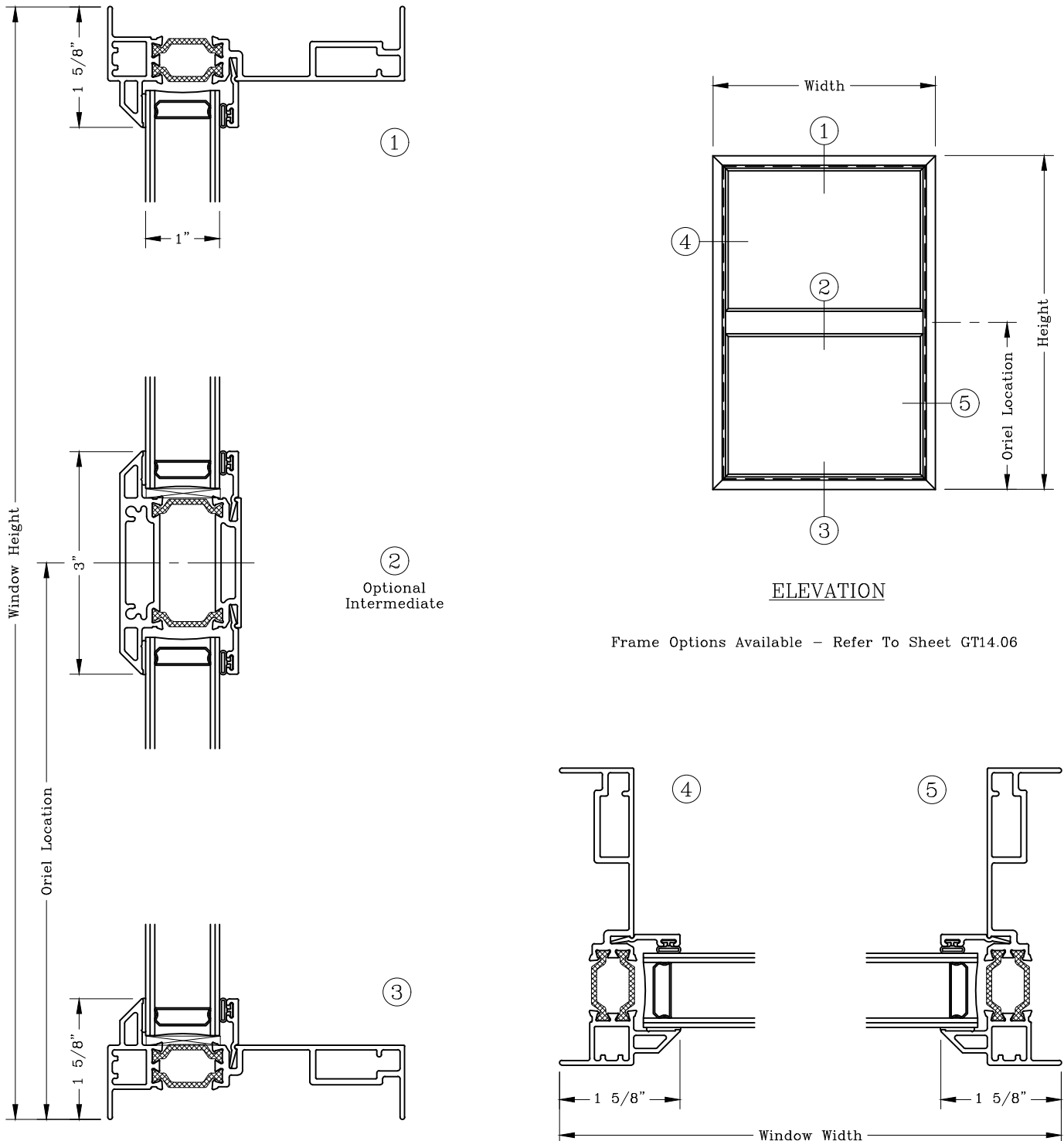
Fixed – Historic Narrow – 4” Historic Glazing



Series: GT1400HP Manufacturing Code: GT1405

Drawing 1/2 Scale – For Custom Size Drawing Contact Graham

Note: Sealant Not Shown On Details. Refer To General Installation Instructions.



Frame Options Available – Refer To Sheet GT14.06

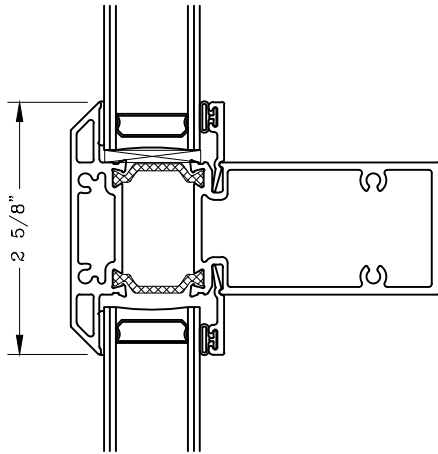
Fixed – Historic – 4” Frame Options



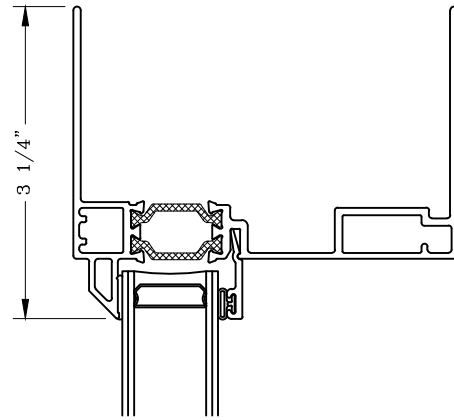
Series: GT1400HP Manufacturing Code: GT1406

Drawing 1/2 Scale – For Custom Size Drawing Contact Graham

Note: Sealant Not Shown On Details. Refer To General Installation Instructions.



Full Frame Depth Intermediate
#220616



Extended Leg Frame
#220618