

Casement – 3”  
 Equal Sightline  
 Outswing

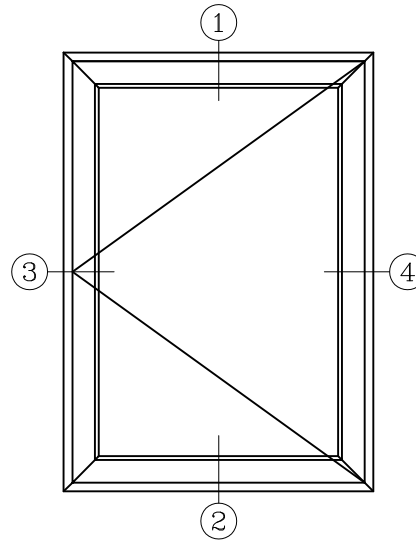
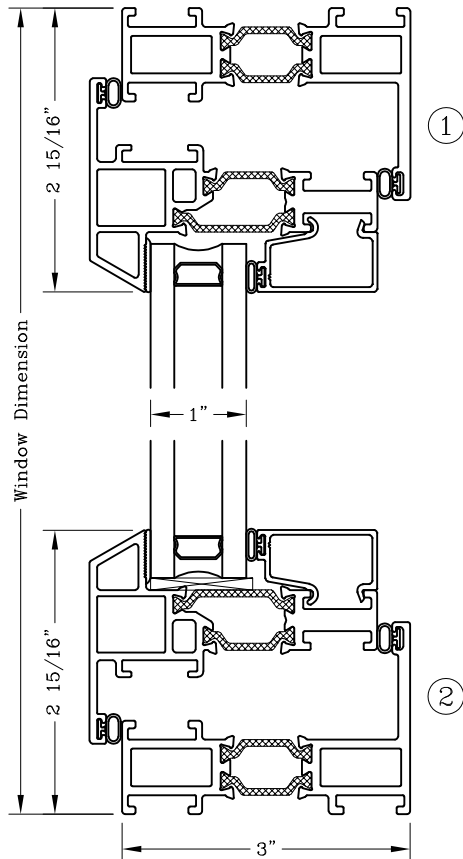


Series: GT6700

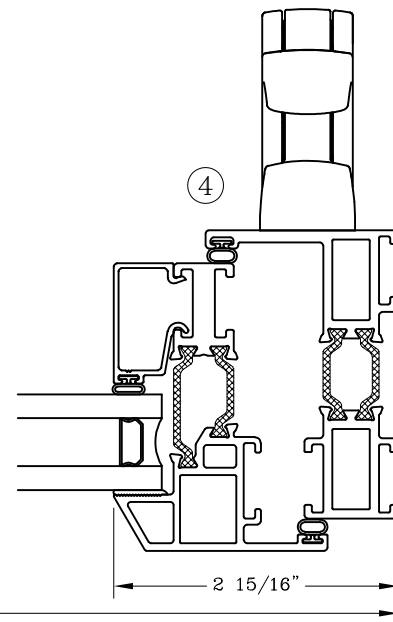
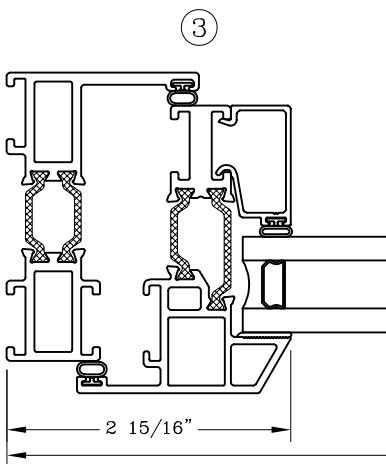
Manufacturing Code: GT6708B

Drawing 1/2 Scale – For Custom Size Drawing Contact Graham

Note: Sealant Not Shown On Details. Refer To General Installation Instructions.



ELEVATION



Note: Dashed Lines Represent Inswing Vented Units Solid Lines Represent  
 Outswing Vented Units; Lines Converge At Hinge Side Of Vent

Graham Architectural Products reserves the right to change, add, cancel, remove or otherwise modify the details illustrated without prior notice.

1551 Mt. Rose Avenue, York, Pennsylvania 17403-2909 717.849.8100 Toll Free: 800/755-6274

0223 – GT67.08B

Web Site: [www.grahamwindows.com](http://www.grahamwindows.com)

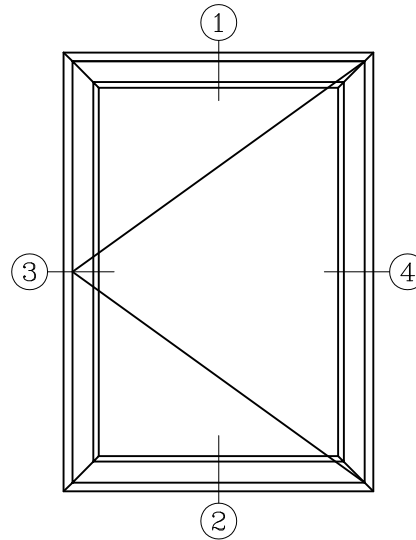
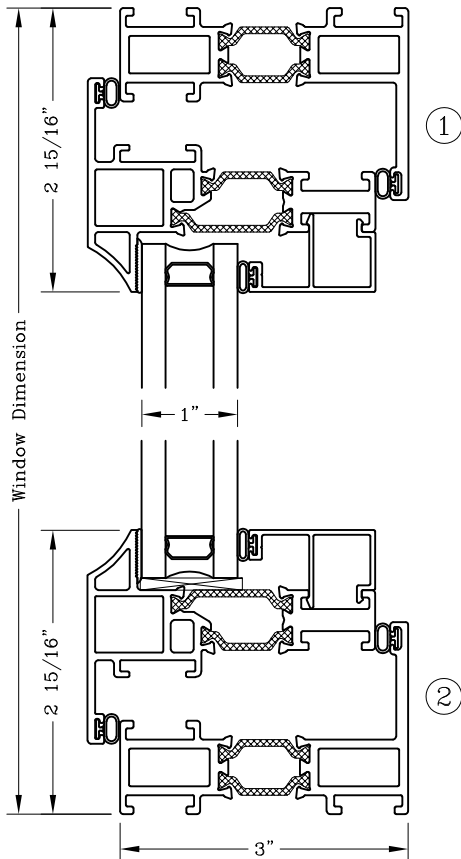
Casement – 3”  
 Equal Sightline  
 Outswing



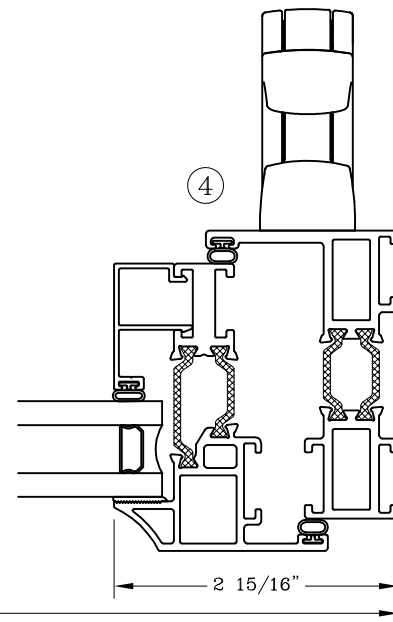
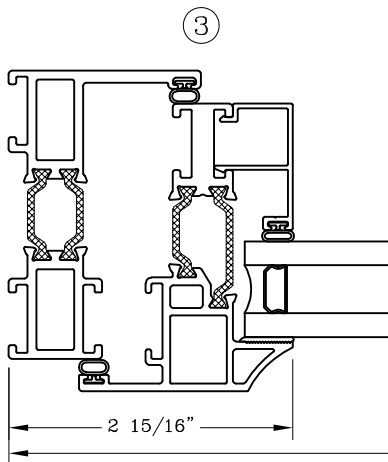
Series: GT6700      Manufacturing Code: GT6708C

Drawing 1/2 Scale – For Custom Size Drawing Contact Graham

Note: Sealant Not Shown On Details. Refer To General Installation Instructions.



ELEVATION



Window Dimension

Note: Dashed Lines Represent Inswing Vented Units Solid Lines Represent  
 Outswing Vented Units; Lines Converge At Hinge Side Of Vent

Graham Architectural Products reserves the right to change, add, cancel, remove or otherwise modify the details illustrated without prior notice.

1551 Mt. Rose Avenue, York, Pennsylvania 17403-2909 717.849.8100 Toll Free: 800/755-6274

0223 – GT67.08C

Web Site: [www.grahamwindows.com](http://www.grahamwindows.com)

Casement – 3”  
 Equal Sightline  
 Outswing

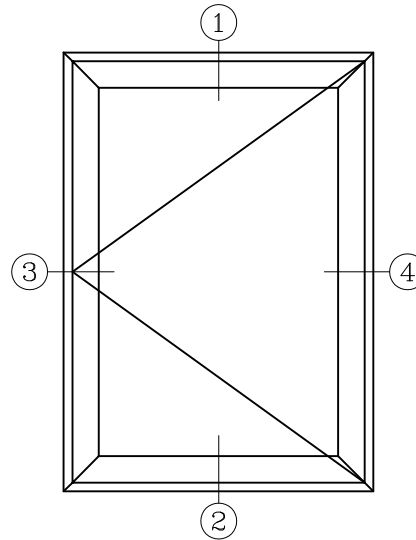
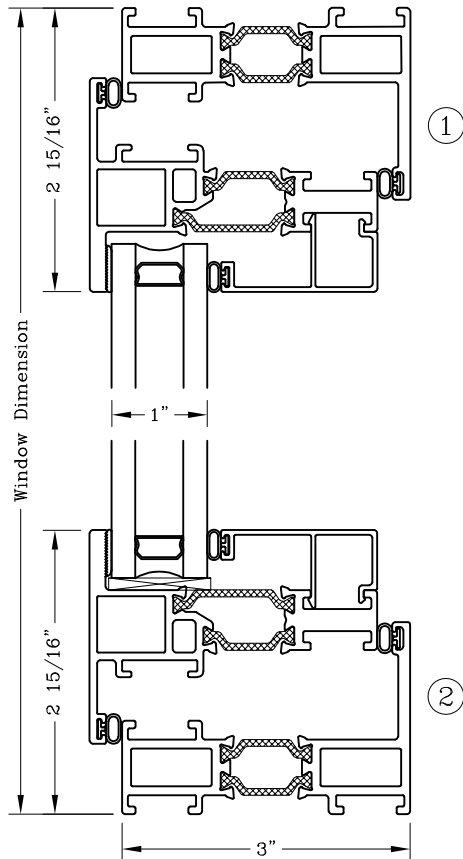


Series: GT6700

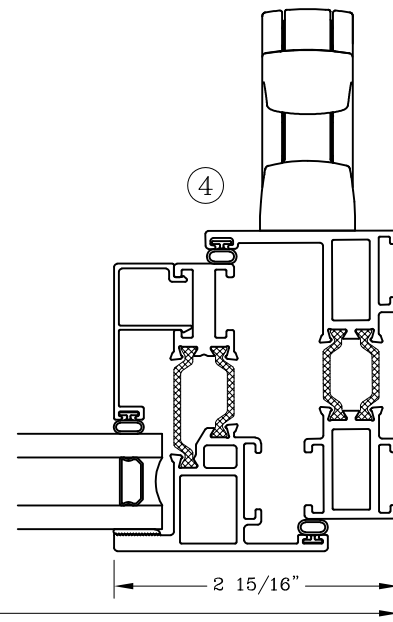
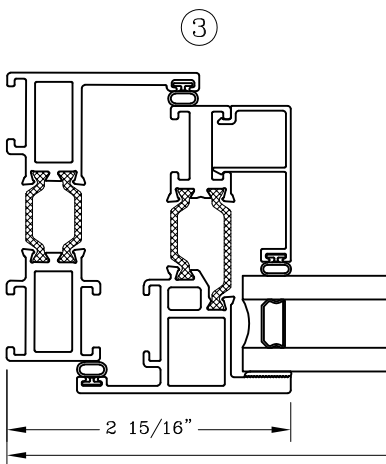
Manufacturing Code: GT6708F

Drawing 1/2 Scale – For Custom Size Drawing Contact Graham

Note: Sealant Not Shown On Details. Refer To General Installation Instructions.



ELEVATION



Window Dimension

Note: Dashed Lines Represent Inswing Vented Units Solid Lines Represent  
 Outswing Vented Units; Lines Converge At Hinge Side Of Vent

Graham Architectural Products reserves the right to change, add, cancel, remove or otherwise modify the details illustrated without prior notice.

1551 Mt. Rose Avenue, York, Pennsylvania 17403-2909 717.849.8100 Toll Free: 800/755-6274

0223 – GT67.08F

Web Site: [www.grahamwindows.com](http://www.grahamwindows.com)

# Casement - 3 1/4"

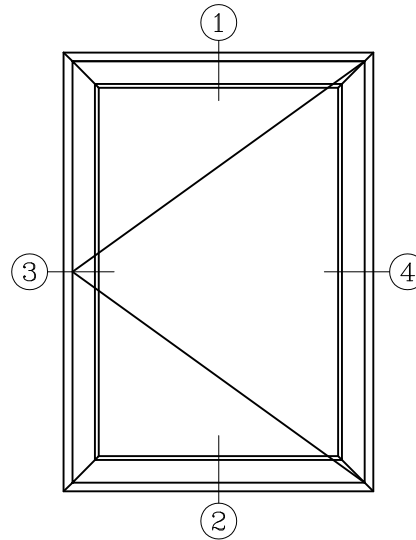
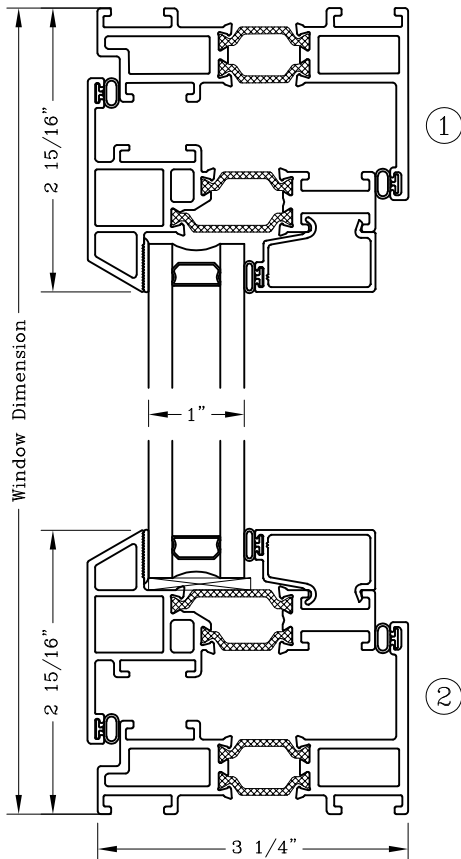
Equal Sightline

Outswing - Flush Face

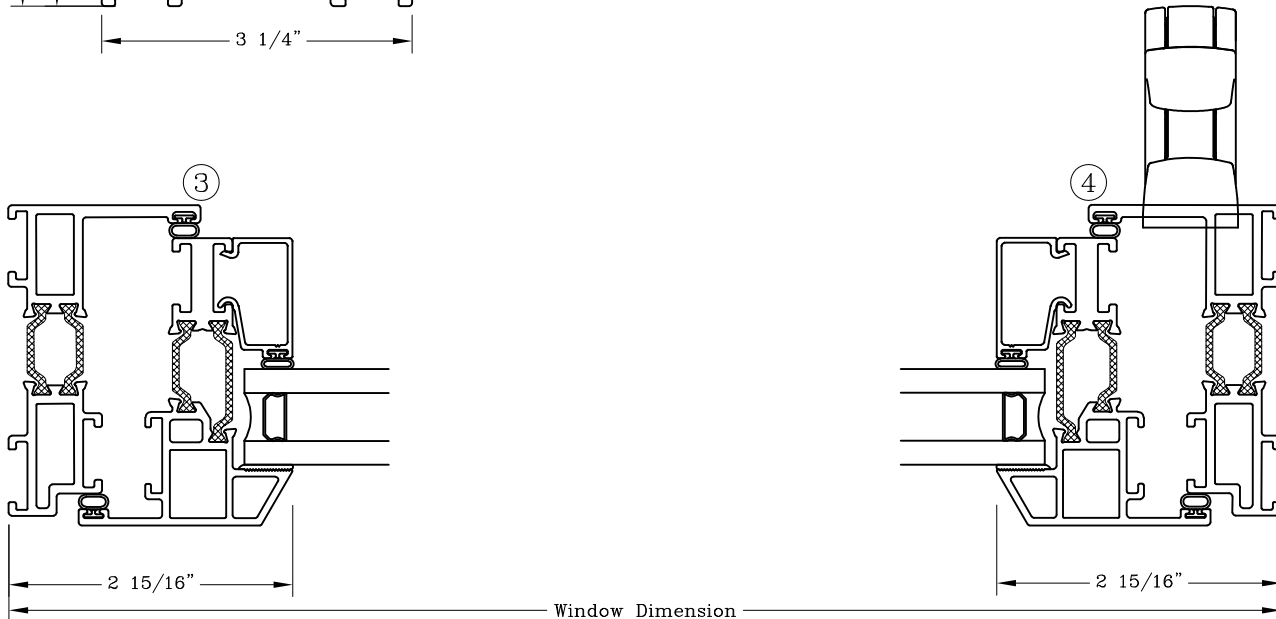
Series: GT6700FF Manufacturing Code: GT6708FFB

Drawing 1/2 Scale - For Custom Size Drawing Contact Graham

Note: Sealant Not Shown On Details. Refer To General Installation Instructions.



ELEVATION



Note: Dashed Lines Represent Inswing Vented Units Solid Lines Represent Outswing Vented Units; Lines Converge At Hinge Side Of Vent

Graham Architectural Products reserves the right to change, add, cancel, remove or otherwise modify the details illustrated without prior notice.

1551 Mt. Rose Avenue, York, Pennsylvania 17403-2909 717.849.8100 Toll Free: 800/755-6274

0223 - GT67.08FFB

Web Site: [www.grahamwindows.com](http://www.grahamwindows.com)

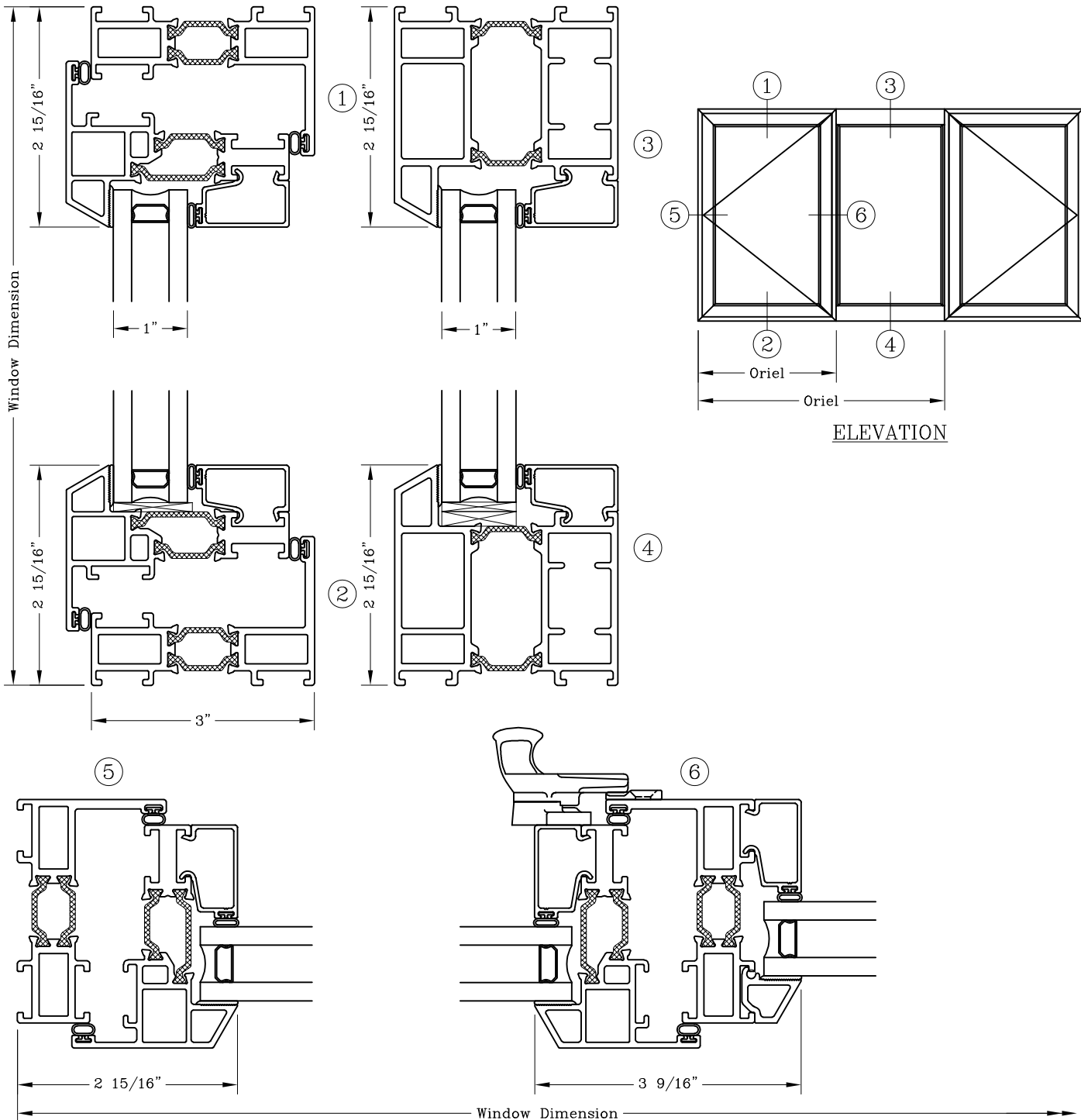
Casement – 3”  
 Equal Sightline  
 Outswing/Fixed/Outswing



Series: GT6700 Manufacturing Code: GT6709B

Drawing 1/2 Scale – For Custom Size Drawing Contact Graham

Note: Sealant Not Shown On Details. Refer To General Installation Instructions.



Note: Dashed Lines Represent Inswing Vented Units Solid Lines Represent Outswing Vented Units; Lines Converge At Hinge Side Of Vent

Graham Architectural Products reserves the right to change, add, cancel, remove or otherwise modify the details illustrated without prior notice.

1551 Mt. Rose Avenue, York, Pennsylvania 17403-2909 717.849.8100 Toll Free: 800/755-6274

0223 – GT67.09B

Web Site: [www.grahamwindows.com](http://www.grahamwindows.com)

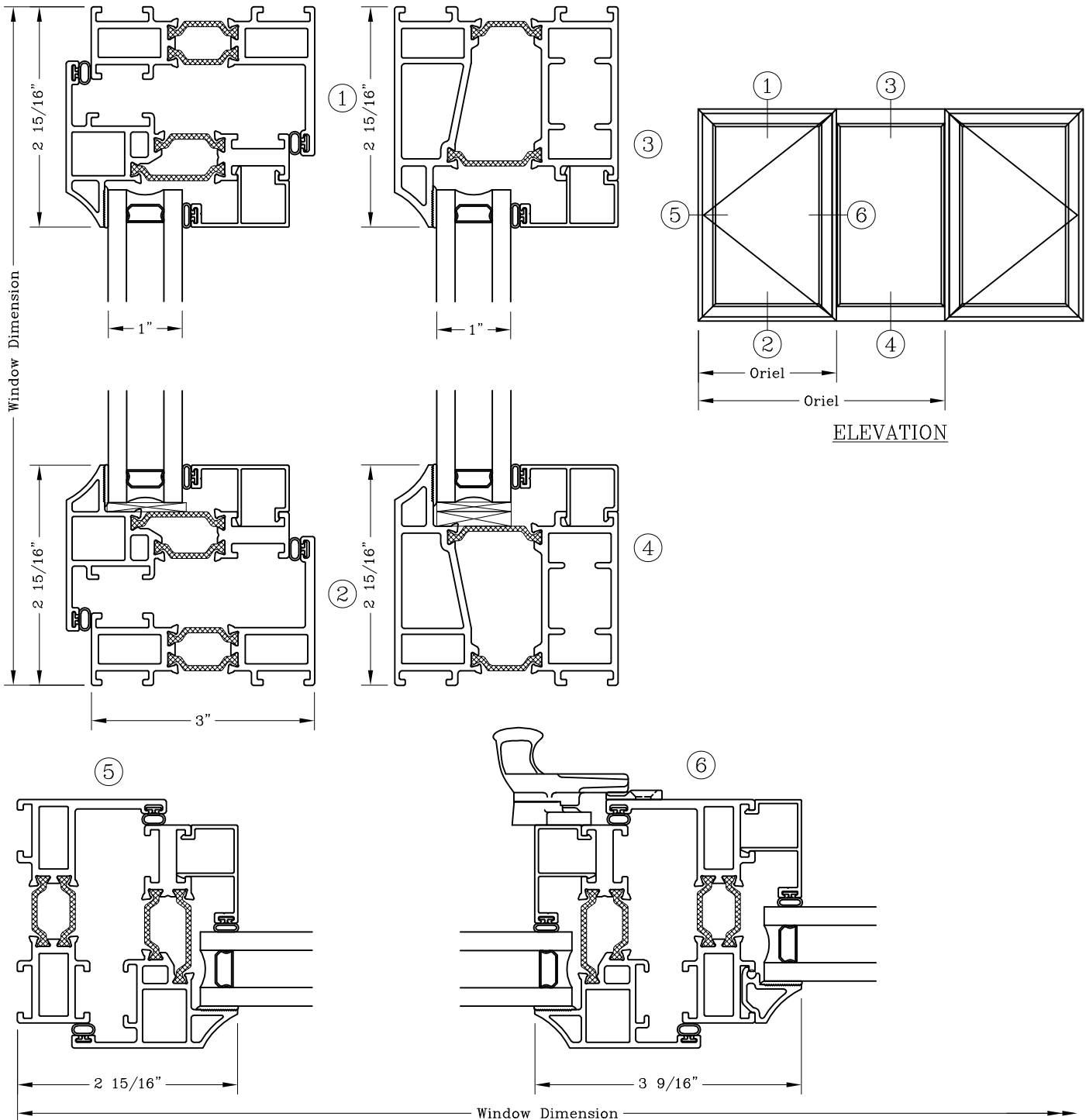
Casement – 3”  
 Equal Sightline  
 Outswing/Fixed/Outswing



Series: GT6700 Manufacturing Code: GT6709C

Drawing 1/2 Scale – For Custom Size Drawing Contact Graham

Note: Sealant Not Shown On Details. Refer To General Installation Instructions.



Note: Dashed Lines Represent Inswing Vented Units Solid Lines Represent  
 Outswing Vented Units; Lines Converge At Hinge Side Of Vent

Graham Architectural Products reserves the right to change, add, cancel, remove or otherwise modify the details illustrated without prior notice.

1551 Mt. Rose Avenue, York, Pennsylvania 17403-2909 717.849.8100 Toll Free: 800/755-6274

0223 – GT67.09C

Web Site: www.grahamwindows.com

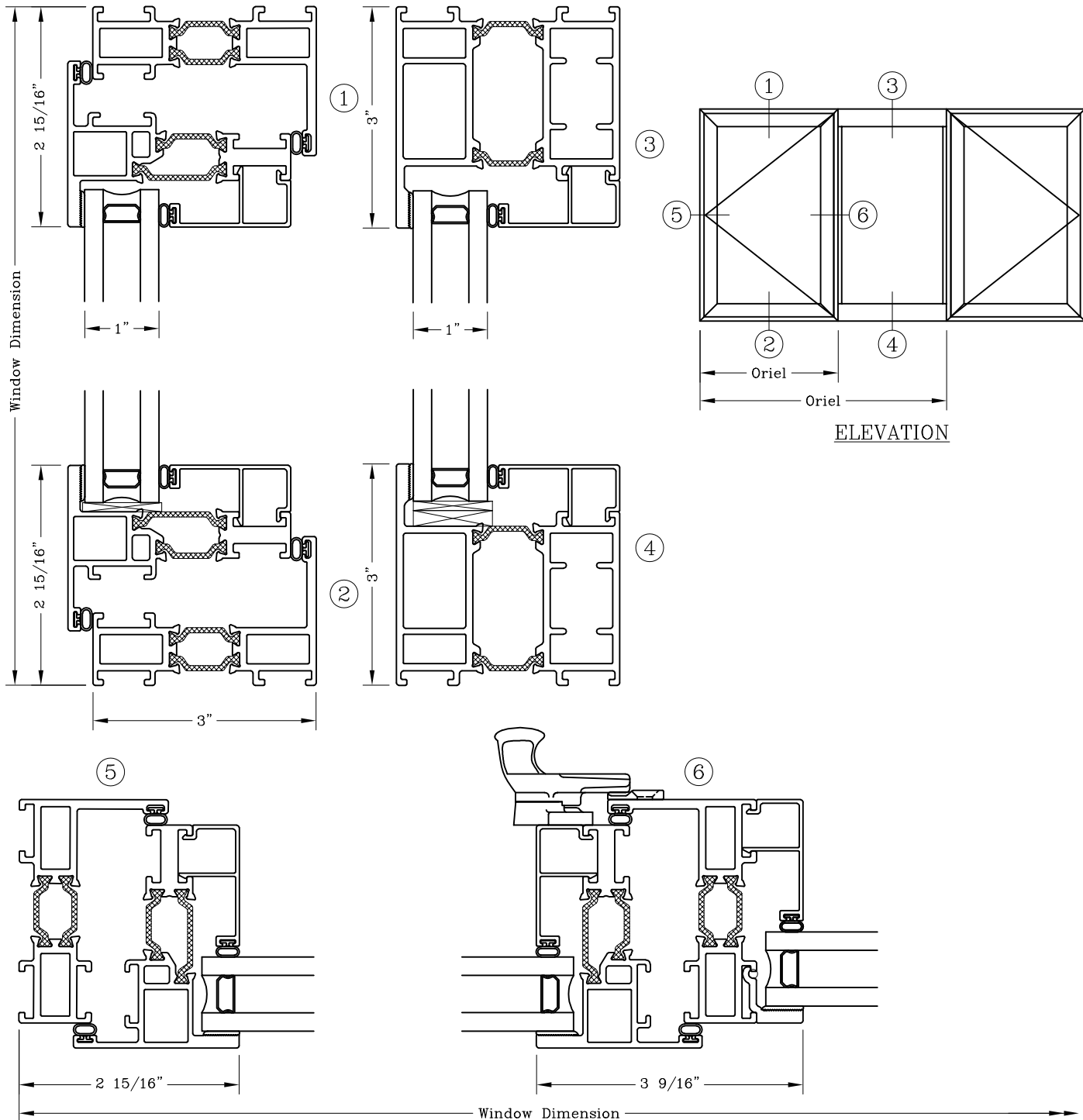
Casement – 3”  
 Equal Sightline  
 Outswing/Fixed/Outswing



Series: GT6700 Manufacturing Code: GT6709F

Drawing 1/2 Scale – For Custom Size Drawing Contact Graham

Note: Sealant Not Shown On Details. Refer To General Installation Instructions.



Note: Dashed Lines Represent Inswing Vented Units Solid Lines Represent  
 Outswing Vented Units; Lines Converge At Hinge Side Of Vent

Graham Architectural Products reserves the right to change, add, cancel, remove or otherwise modify the details illustrated without prior notice.

1551 Mt. Rose Avenue, York, Pennsylvania 17403-2909 717.849.8100 Toll Free: 800/755-6274

0223 – GT67.09F

Web Site: www.grahamwindows.com

# Casement – 3 1/4”

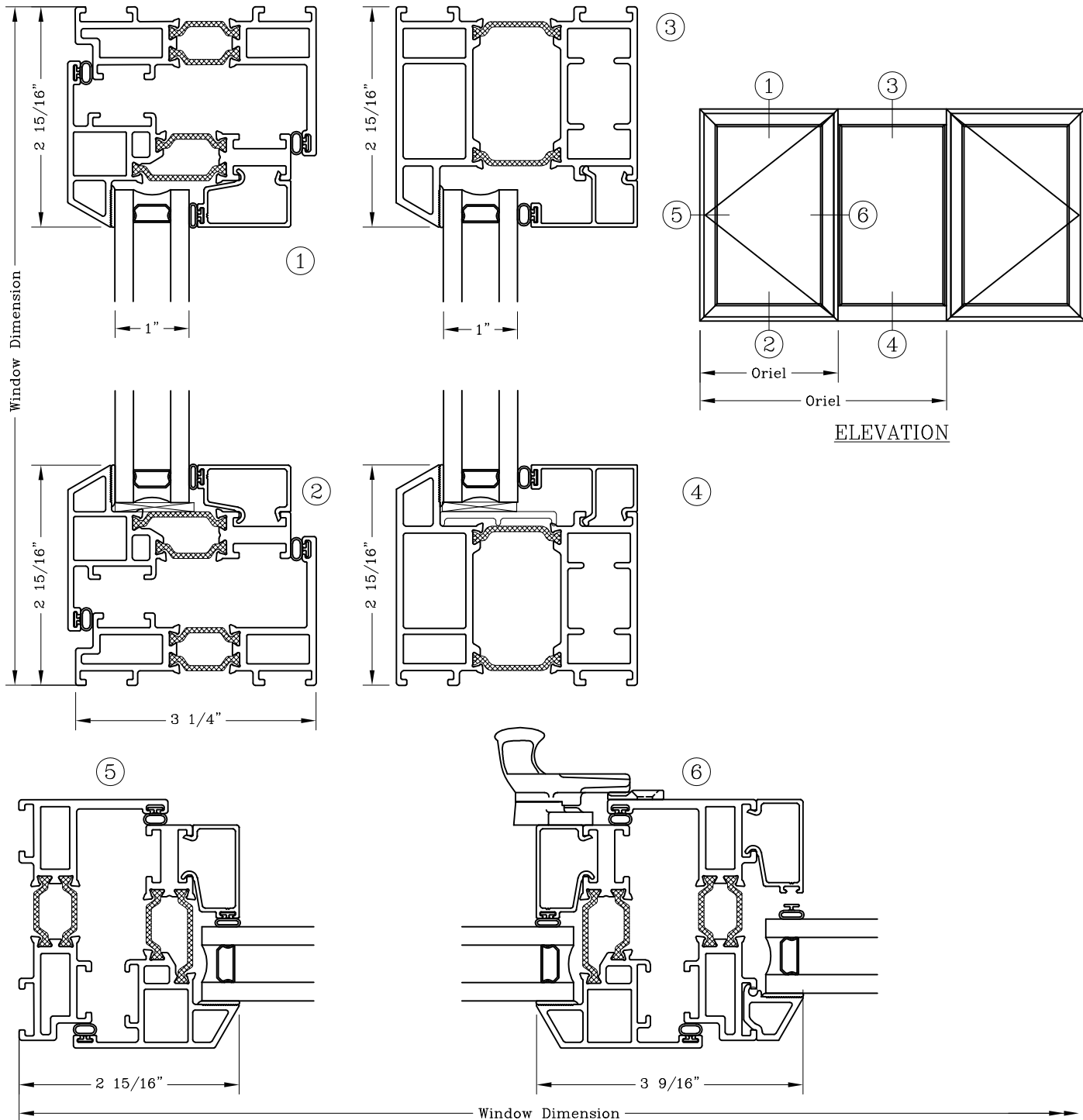
Equal Sightline

Outswing/Fixed/Outswing – Flush Face

Series: GT6700FF Manufacturing Code: GT6709FFB

Drawing 1/2 Scale – For Custom Size Drawing Contact Graham

Note: Sealant Not Shown On Details. Refer To General Installation Instructions.



Note: Dashed Lines Represent Inswing Vented Units Solid Lines Represent Outswing Vented Units; Lines Converge At Hinge Side Of Vent

Graham Architectural Products reserves the right to change, add, cancel, remove or otherwise modify the details illustrated without prior notice.

1551 Mt. Rose Avenue, York, Pennsylvania 17403-2909 717.849.8100 Toll Free: 800/755-6274

0223 – GT67.09FFB

Web Site: [www.grahamwindows.com](http://www.grahamwindows.com)



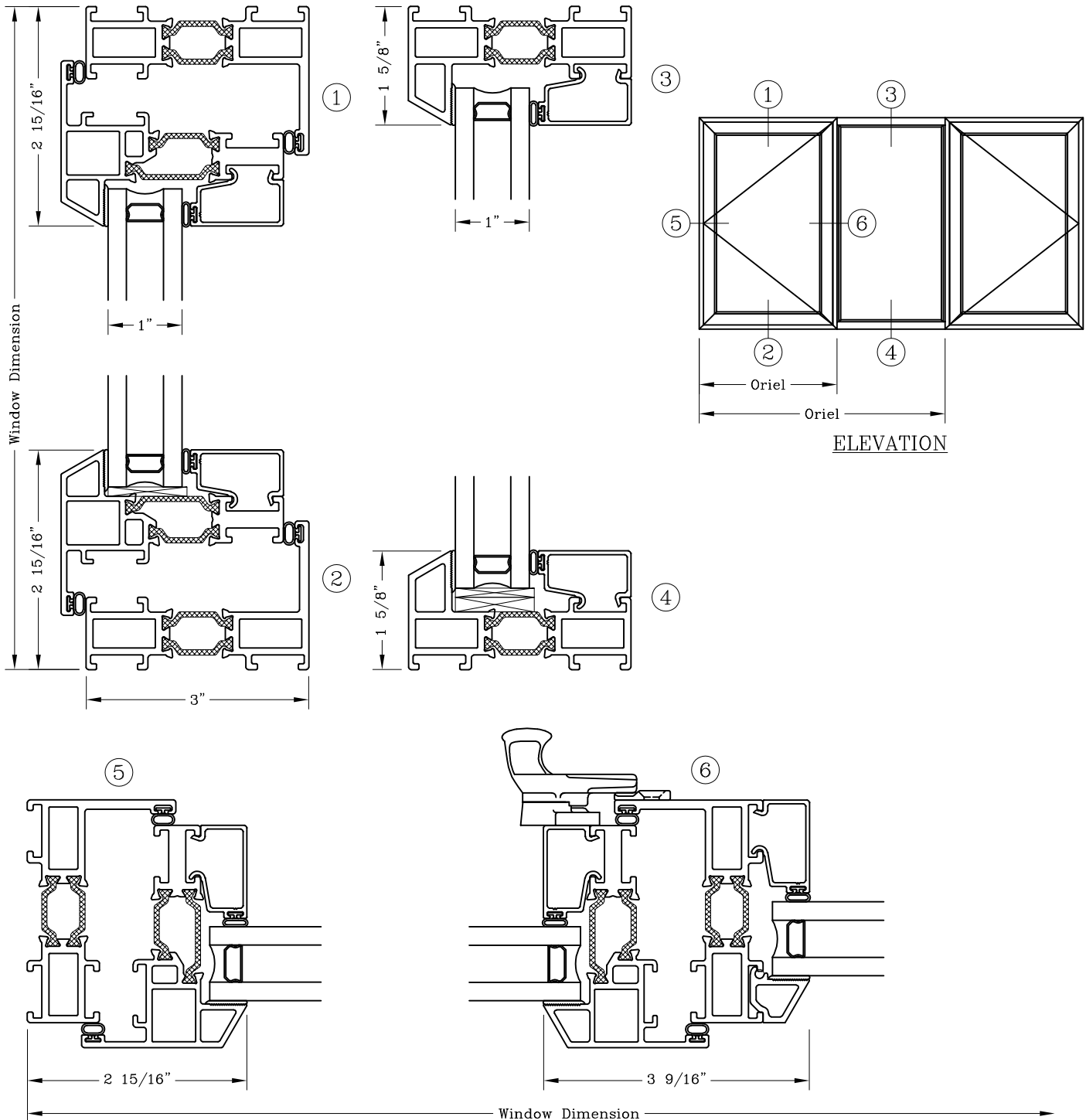
Casement – 3”  
 Narrow Sightline  
 Outswing/Fixed/Outswing



Series: GT6700 Manufacturing Code: GT6710B

Drawing 1/2 Scale – For Custom Size Drawing Contact Graham

Note: Sealant Not Shown On Details. Refer To General Installation Instructions.



Note: Dashed Lines Represent Inswing Vented Units Solid Lines Represent  
 Outswing Vented Units; Lines Converge At Hinge Side Of Vent

Graham Architectural Products reserves the right to change, add, cancel, remove or otherwise modify the details illustrated without prior notice.

1551 Mt. Rose Avenue, York, Pennsylvania 17403-2909 717.849.8100 Toll Free: 800/755-6274

0223 – GT67.10B

Web Site: www.grahamwindows.com

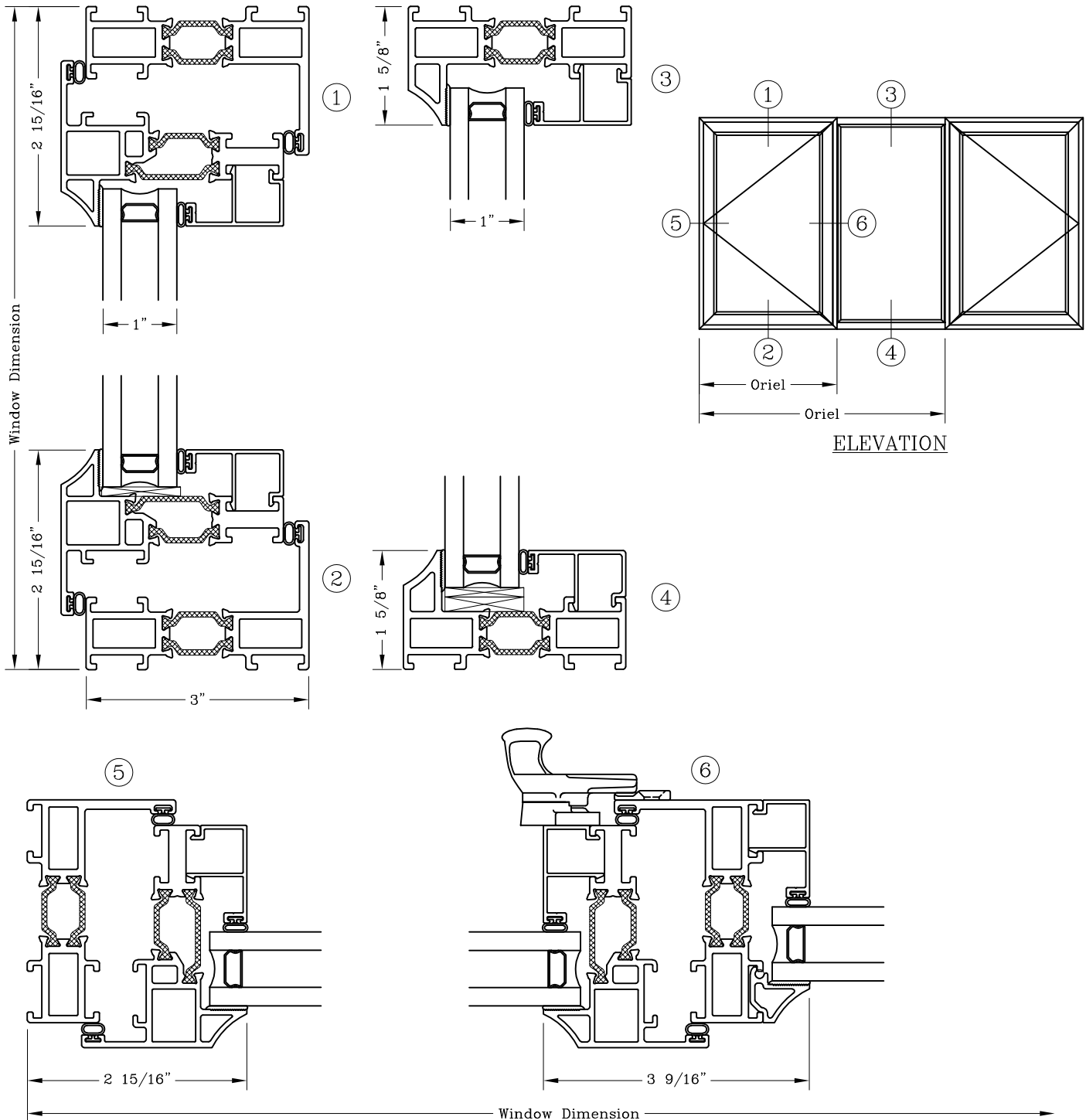
Casement – 3”  
 Narrow Sightline  
 Outswing/Fixed/Outswing



Series: GT6700 Manufacturing Code: GT6710C

Drawing 1/2 Scale – For Custom Size Drawing Contact Graham

Note: Sealant Not Shown On Details. Refer To General Installation Instructions.



Note: Dashed Lines Represent Inswing Vented Units Solid Lines Represent Outswing Vented Units; Lines Converge At Hinge Side Of Vent

Graham Architectural Products reserves the right to change, add, cancel, remove or otherwise modify the details illustrated without prior notice.

1551 Mt. Rose Avenue, York, Pennsylvania 17403-2909 717.849.8100 Toll Free: 800/755-6274

0223 – GT67.10C

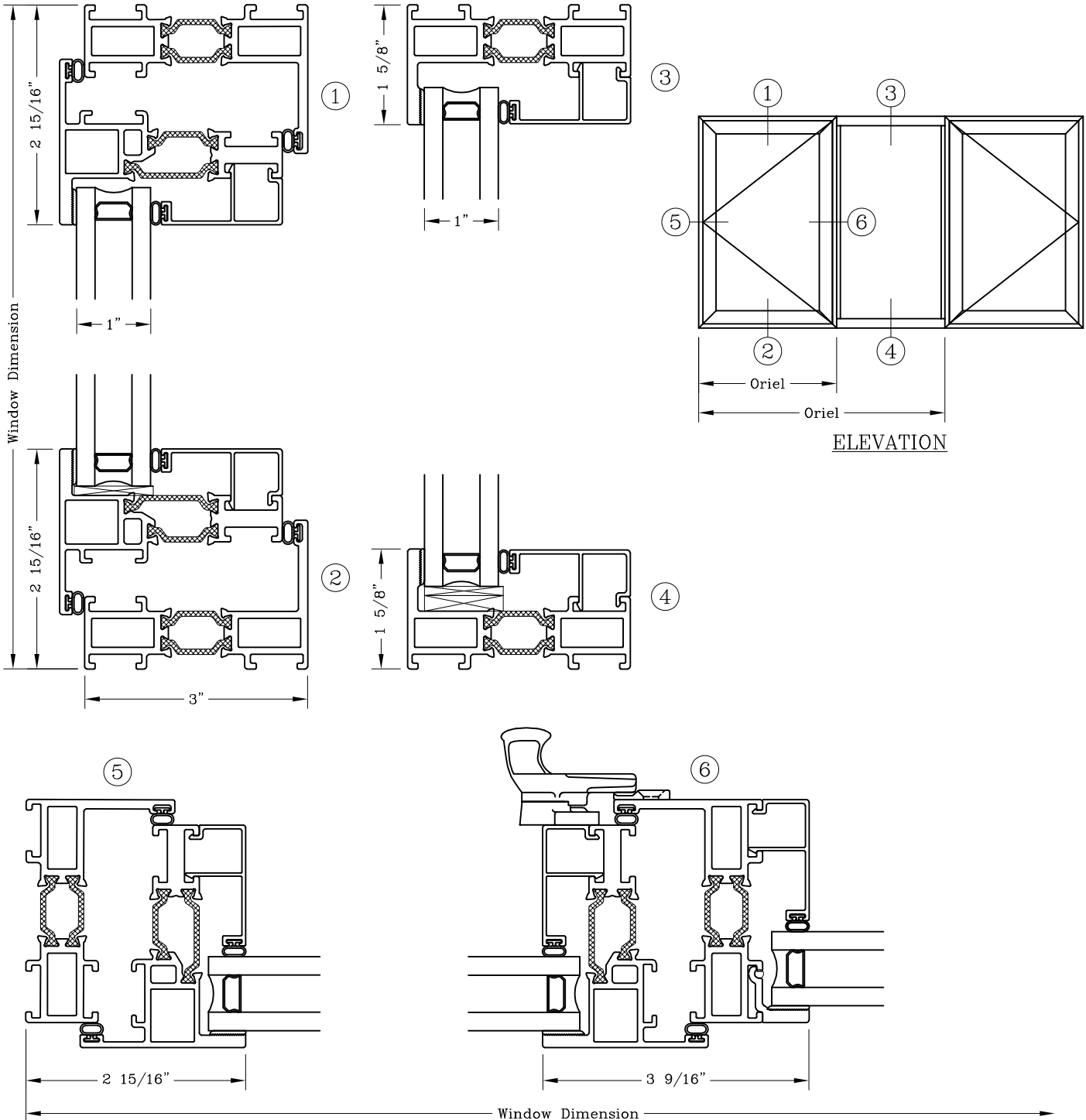
Web Site: [www.grahamwindows.com](http://www.grahamwindows.com)

Casement – 3”  
 Narrow Sightline  
 Outswing/Fixed/Outswing

Series: GT6700      Manufacturing Code: GT6710F

Drawing 1/2 Scale – For Custom Size Drawing Contact Graham

Note: Sealant Not Shown On Details. Refer To General Installation Instructions.



Note: Dashed Lines Represent Inswing Vented Units Solid Lines Represent Outswing Vented Units; Lines Converge At Hinge Side Of Vent

Graham Architectural Products reserves the right to change, add, cancel, remove or otherwise modify the details illustrated without prior notice.

1551 Mt. Rose Avenue, York, Pennsylvania 17403-2909 717.849.8100 Toll Free: 800/755-6274

0223 – GT67.10F

Web Site: [www.grahamwindows.com](http://www.grahamwindows.com)

# Casement – 3 1/4”

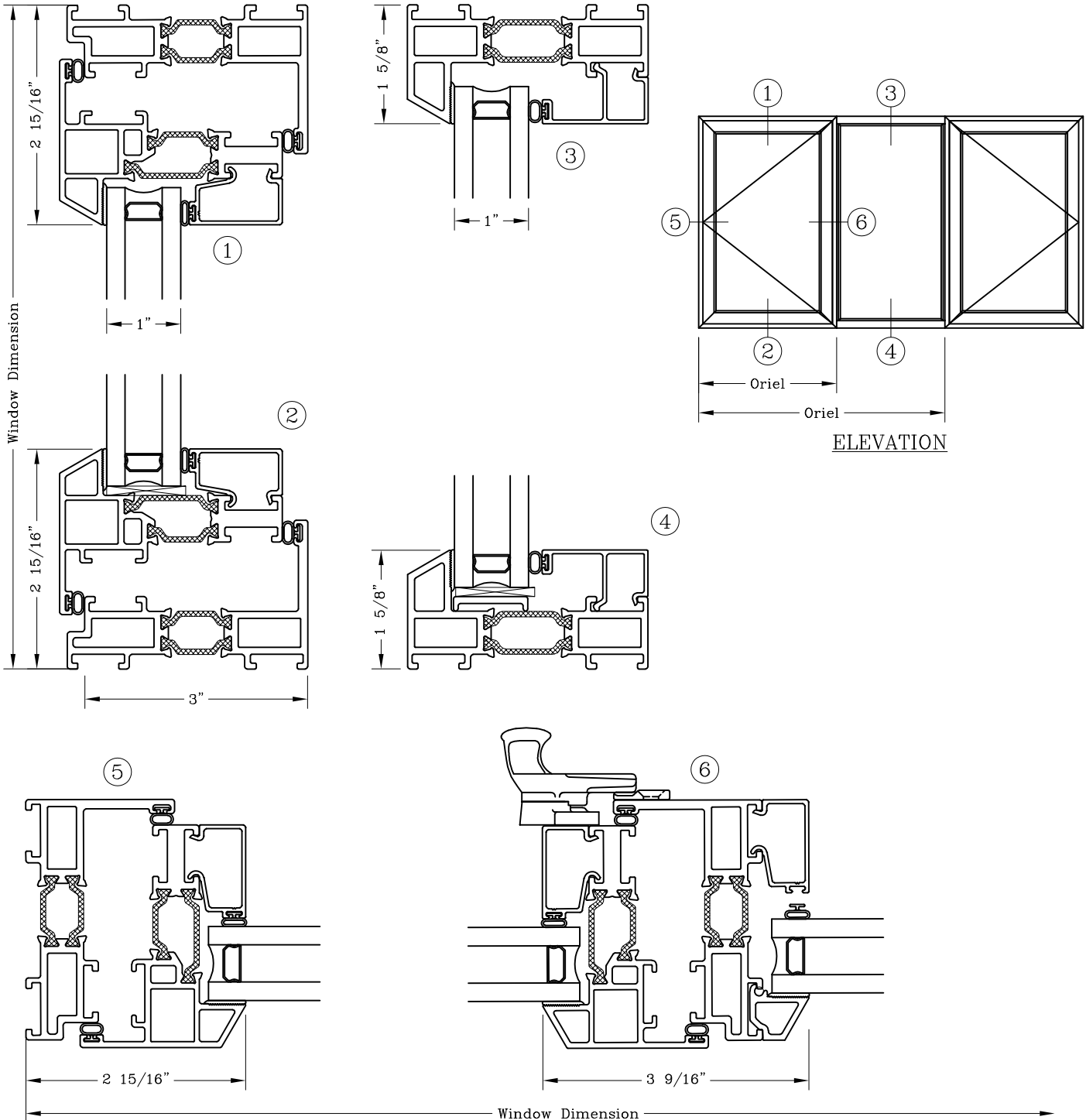
Narrow Sightline

Outswing/Fixed/Outswing – Flush Face

Series: GT6700FF Manufacturing Code: GT6710FFB

Drawing 1/2 Scale – For Custom Size Drawing Contact Graham

Note: Sealant Not Shown On Details. Refer To General Installation Instructions.



Note: Dashed Lines Represent Inswing Vented Units Solid Lines Represent Outswing Vented Units; Lines Converge At Hinge Side Of Vent

Graham Architectural Products reserves the right to change, add, cancel, remove or otherwise modify the details illustrated without prior notice.

1551 Mt. Rose Avenue, York, Pennsylvania 17403-2909 717.849.8100 Toll Free: 800/755-6274

0223 – GT67.10FFB

Web Site: [www.grahamwindows.com](http://www.grahamwindows.com)

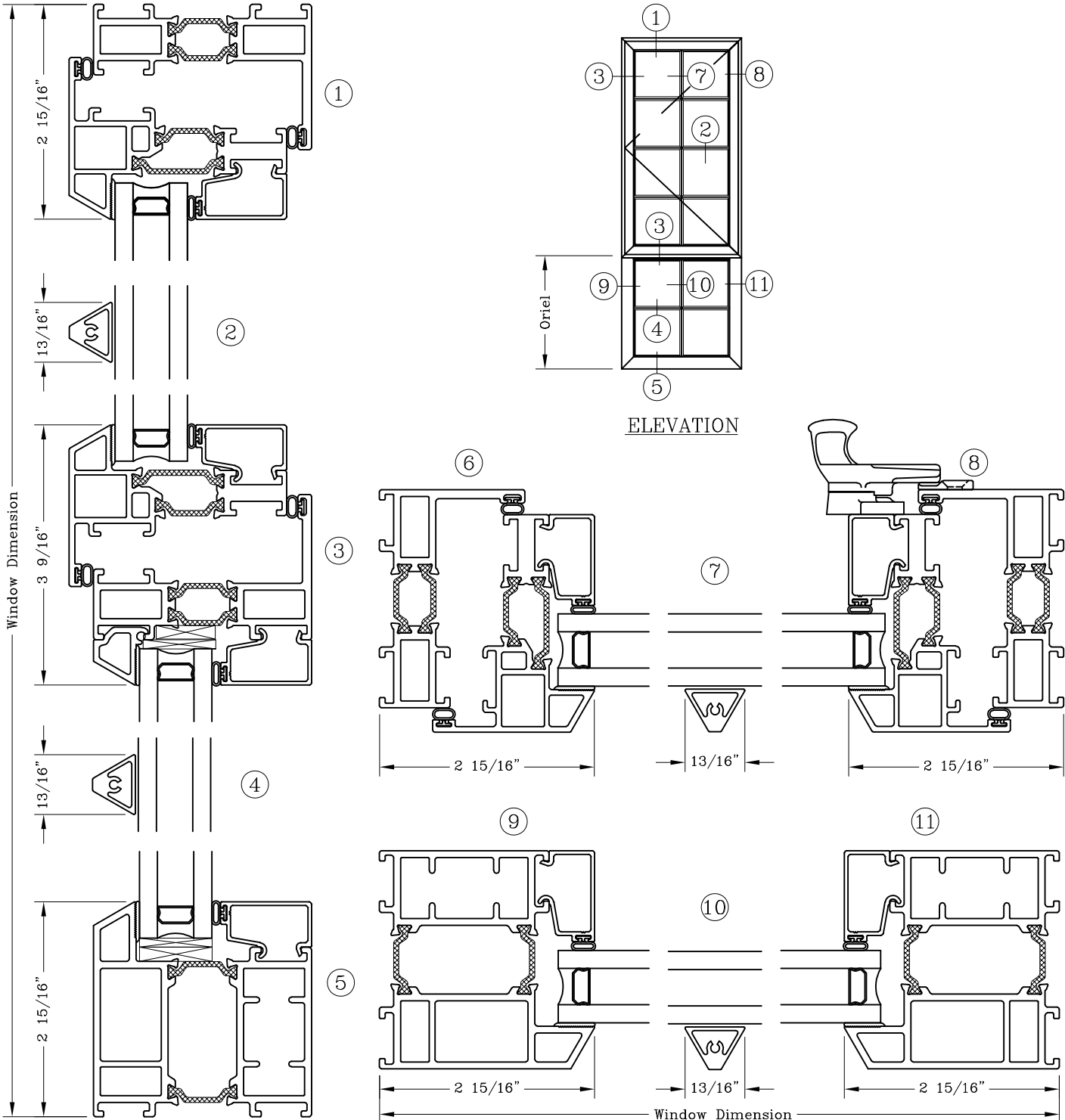
Casement – 3”  
 Equal Sightline  
 Outswing Over Fixed

Series: GT6700

Manufacturing Code: GT6711B

Drawing 1/2 Scale – For Custom Size Drawing Contact Graham

Note: Sealant Not Shown On Details. Refer To General Installation Instructions.



Note: Dashed Lines Represent Inswing Vented Units Solid Lines Represent  
 Outswing Vented Units; Lines Converge At Hinge Side Of Vent

Graham Architectural Products reserves the right to change, add, cancel, remove or otherwise modify the details illustrated without prior notice.

1551 Mt. Rose Avenue, York, Pennsylvania 17403-2909 717.849.8100 Toll Free: 800/755-6274

0223 – GT67.11B

Web Site: [www.grahamwindows.com](http://www.grahamwindows.com)

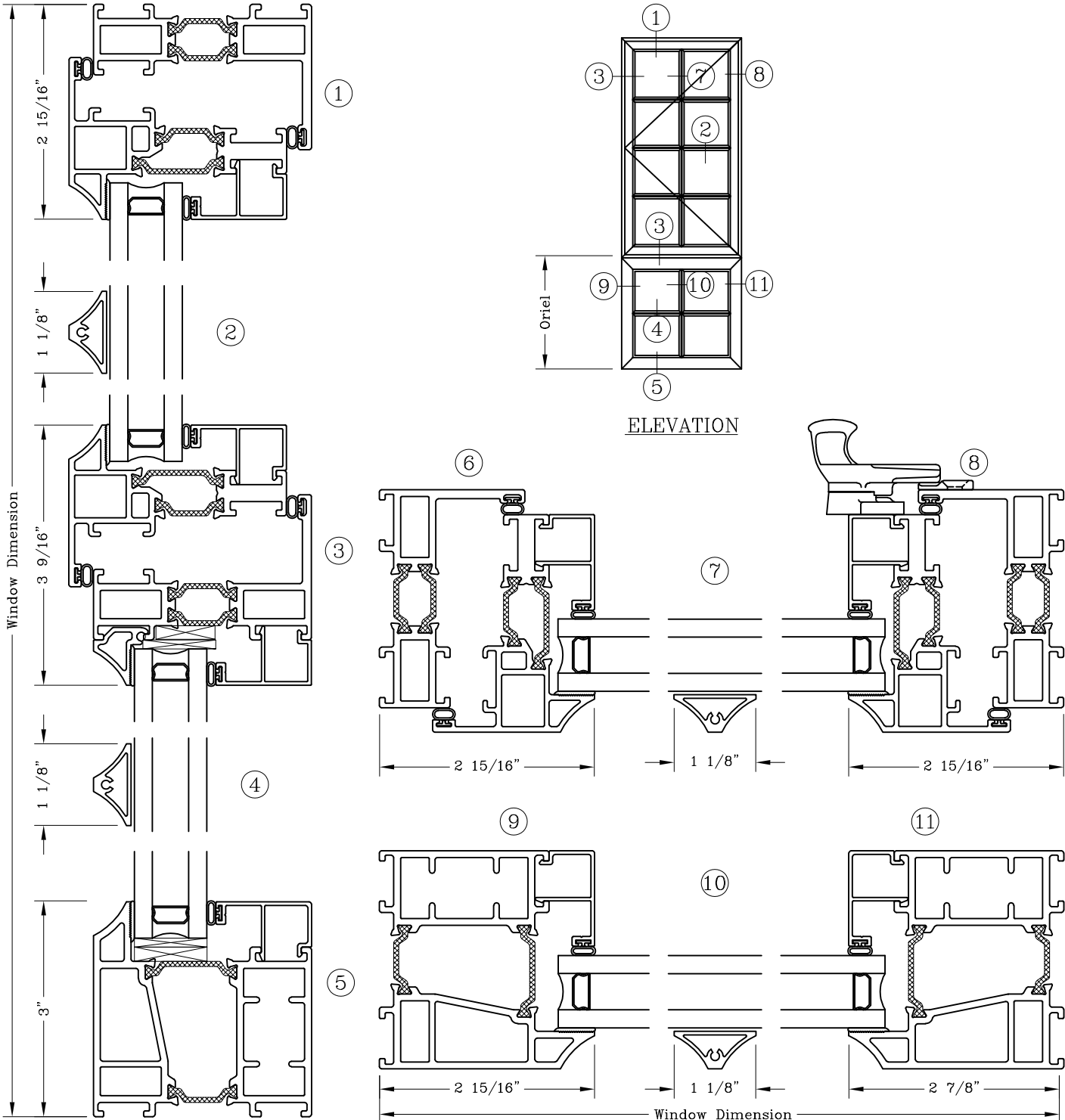
Casement - 3"  
 Equal Sightline  
 Outswing Over Fixed

Series: GT6700

Manufacturing Code: GT6711C

Drawing 1/2 Scale - For Custom Size Drawing Contact Graham

Note: Sealant Not Shown On Details. Refer To General Installation Instructions.



Note: Dashed Lines Represent Inswing Vented Units Solid Lines Represent Outswing Vented Units; Lines Converge At Hinge Side Of Vent

Graham Architectural Products reserves the right to change, add, cancel, remove or otherwise modify the details illustrated without prior notice.

1551 Mt. Rose Avenue, York, Pennsylvania 17403-2909 717.849.8100 Toll Free: 800/755-6274

0223 - GT67.11C

Web Site: www.grahamwindows.com

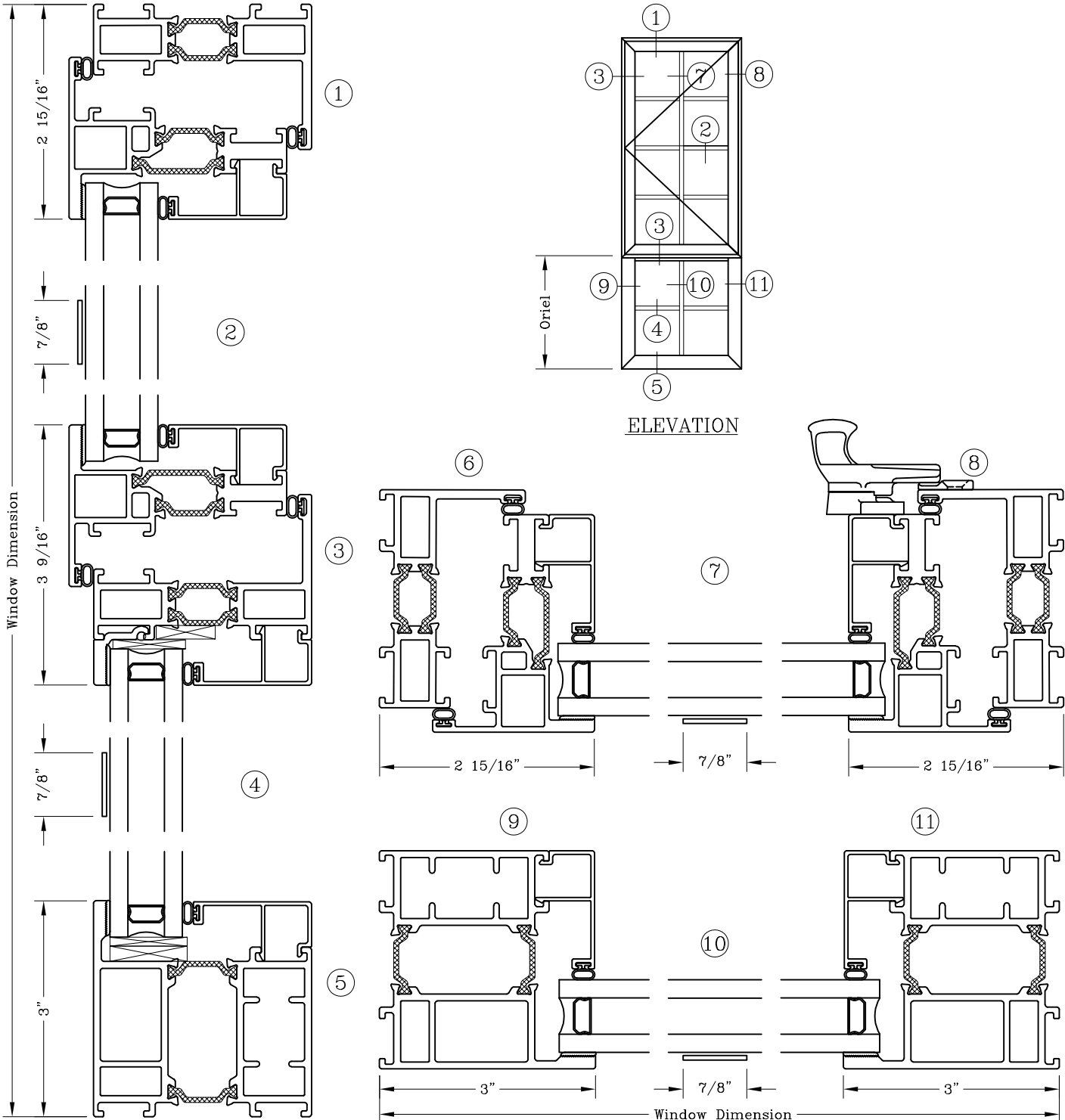
Casement - 3"  
 Equal Sightline  
 Outswing Over Fixed

Series: GT6700

Manufacturing Code: GT6711F

Drawing 1/2 Scale - For Custom Size Drawing Contact Graham

Note: Sealant Not Shown On Details. Refer To General Installation Instructions.



Note: Dashed Lines Represent Inswing Vented Units Solid Lines Represent  
 Outswing Vented Units; Lines Converge At Hinge Side Of Vent

Graham Architectural Products reserves the right to change, add, cancel, remove or otherwise modify the details illustrated without prior notice.

1551 Mt. Rose Avenue, York, Pennsylvania 17403-2909 717.849.8100 Toll Free: 800/755-6274

0223 - GT67.11F

Web Site: www.grahamwindows.com

# Casement - 3 1/4"

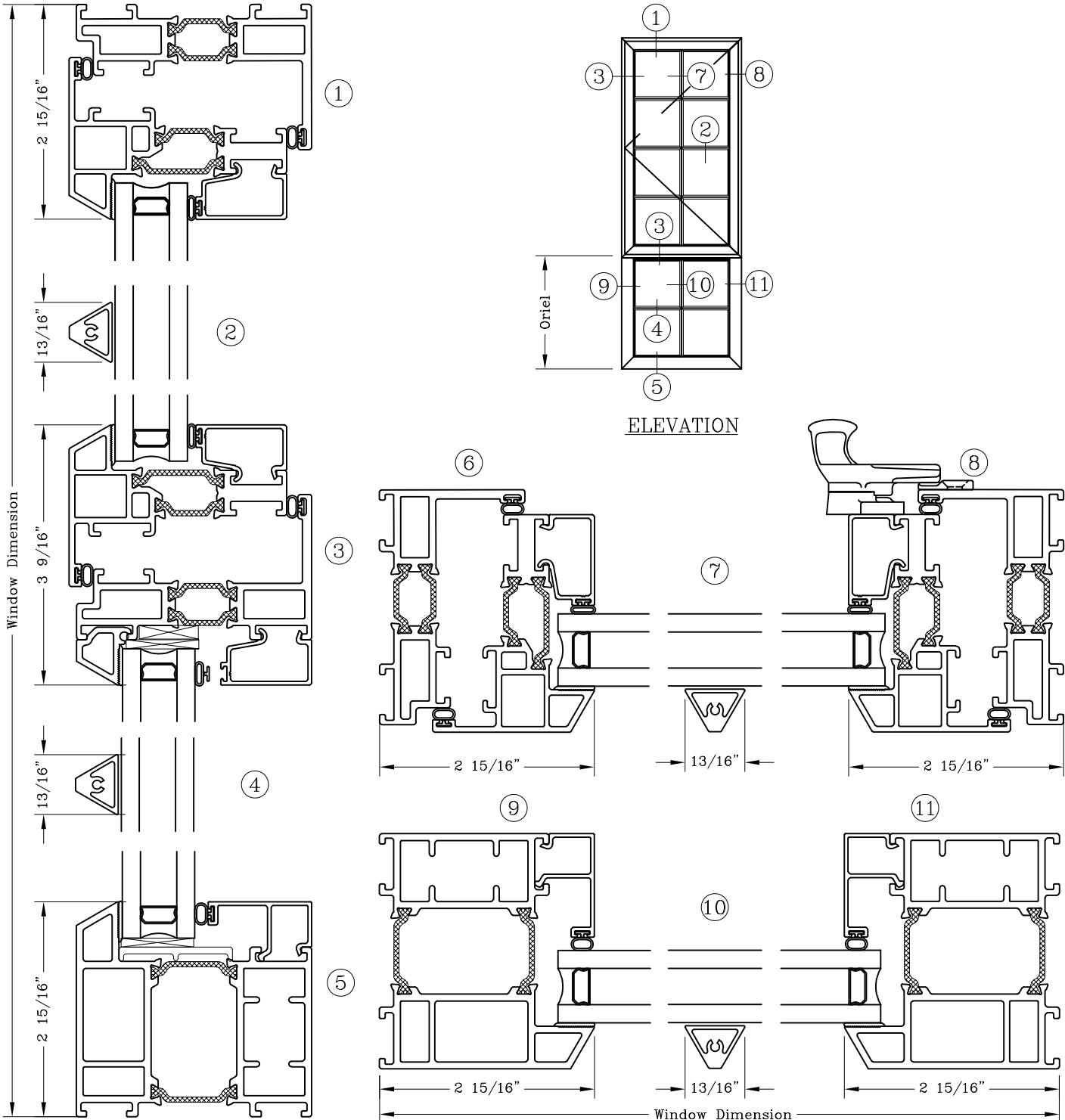
Equal Sightline

Outswing Over Fixed - Flush Face

Series: GT6700FF Manufacturing Code: GT6711FFB

Drawing 1/2 Scale - For Custom Size Drawing Contact Graham

Note: Sealant Not Shown On Details. Refer To General Installation Instructions.



Note: Dashed Lines Represent Inswing Vented Units Solid Lines Represent Outswing Vented Units; Lines Converge At Hinge Side Of Vent

Graham Architectural Products reserves the right to change, add, cancel, remove or otherwise modify the details illustrated without prior notice.

1551 Mt. Rose Avenue, York, Pennsylvania 17403-2909 717.849.8100 Toll Free: 800/755-6274

0223 - GT67.11FFB

Web Site: [www.grahamwindows.com](http://www.grahamwindows.com)



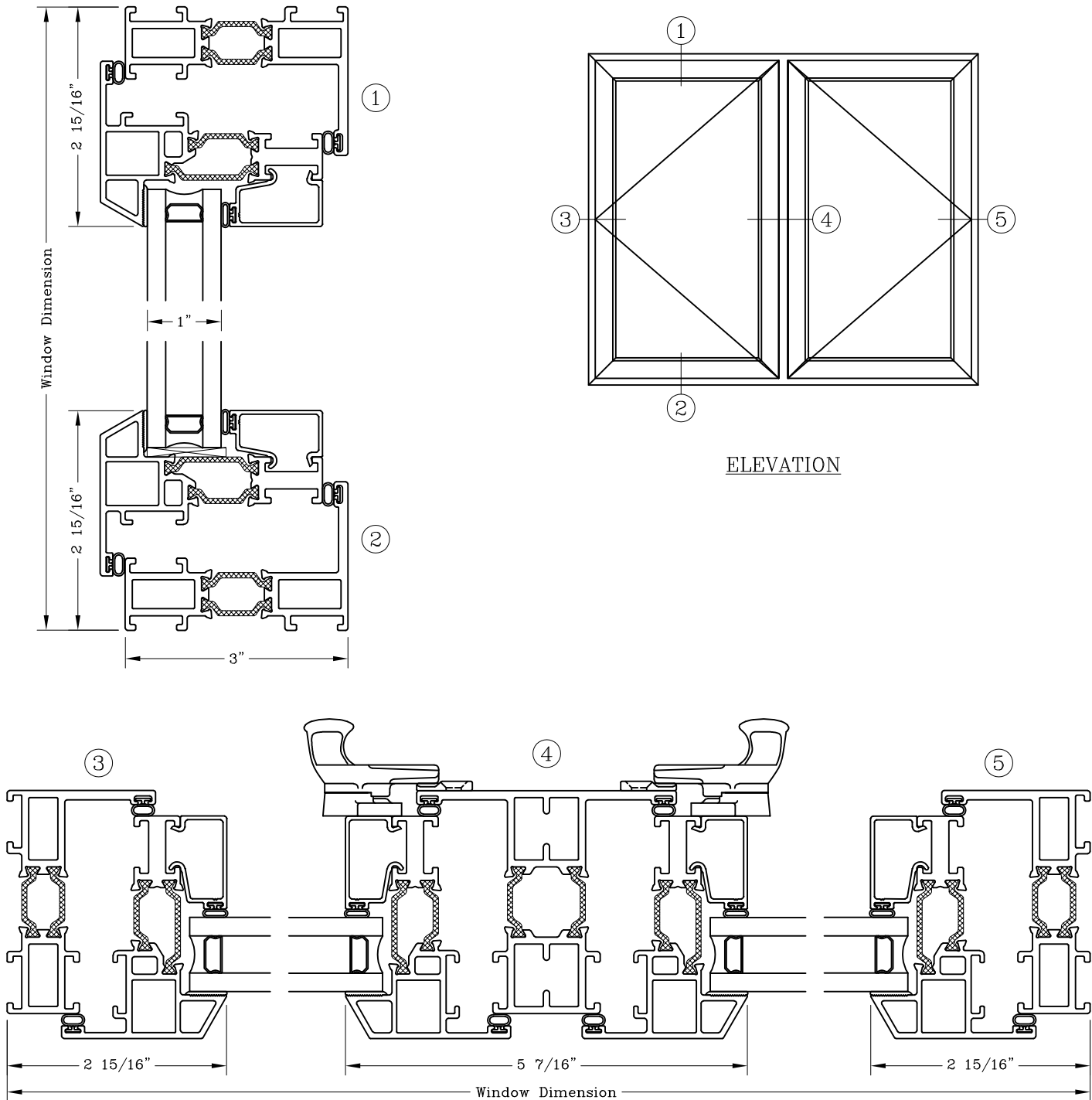
# Casement – 3” Outswing Twin Casement



Series: GT6700      Manufacturing Code: GT6712B

Drawing 1/2 Scale – For Custom Size Drawing Contact Graham

Note: Sealant Not Shown On Details. Refer To General Installation Instructions.



ELEVATION

Note: Dashed Lines Represent Inswing Vented Units Solid Lines Represent Outswing Vented Units; Lines Converge At Hinge Side Of Vent

Graham Architectural Products reserves the right to change, add, cancel, remove or otherwise modify the details illustrated without prior notice.

1551 Mt. Rose Avenue, York, Pennsylvania 17403-2909 717.849.8100 Toll Free: 800/755-6274

0223 – GT67.12B

Web Site: [www.grahamwindows.com](http://www.grahamwindows.com)

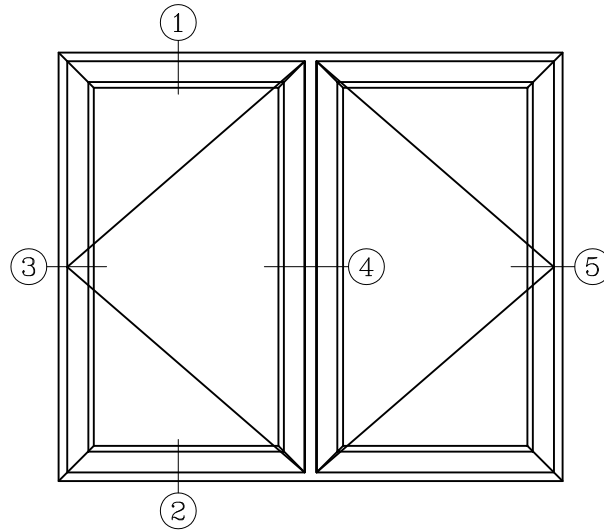
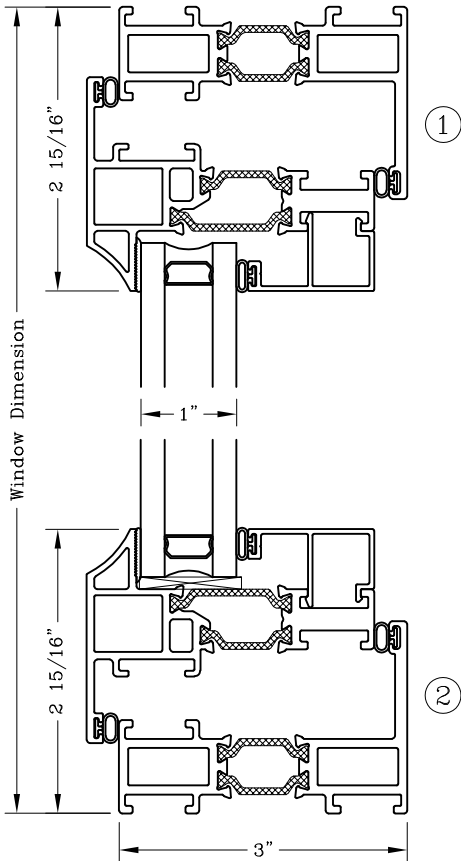
# Casement – 3” Outswing Twin Casement



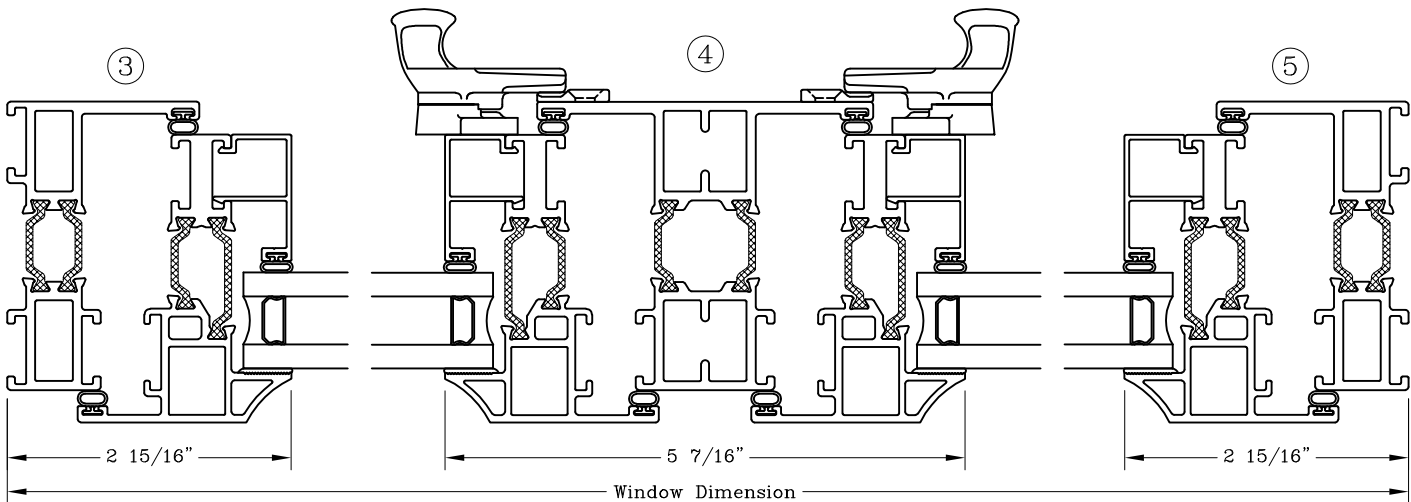
Series: GT6700      Manufacturing Code: GT6712C

Drawing 1/2 Scale – For Custom Size Drawing Contact Graham

Note: Sealant Not Shown On Details. Refer To General Installation Instructions.



ELEVATION



Note: Dashed Lines Represent Inswing Vented Units Solid Lines Represent  
Outswing Vented Units; Lines Converge At Hinge Side Of Vent

Graham Architectural Products reserves the right to change, add, cancel, remove or otherwise modify the details illustrated without prior notice.

1551 Mt. Rose Avenue, York, Pennsylvania 17403-2909 717.849.8100 Toll Free: 800/755-6274

0223 – GT67.12C

Web Site: [www.grahamwindows.com](http://www.grahamwindows.com)

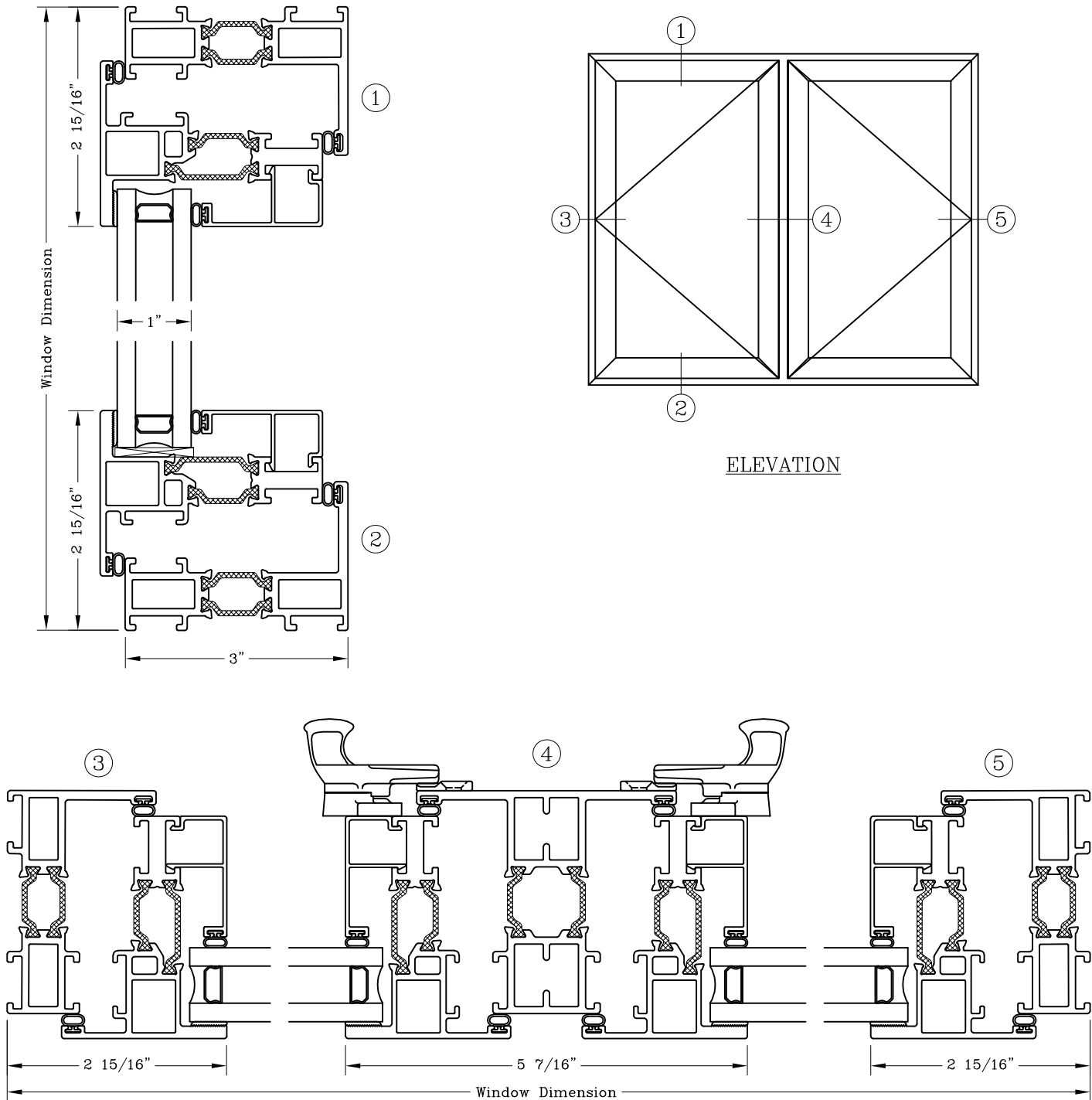
# Casement – 3” Outswing Twin Casement



Series: GT6700      Manufacturing Code: GT6712F

Drawing 1/2 Scale – For Custom Size Drawing Contact Graham

Note: Sealant Not Shown On Details. Refer To General Installation Instructions.



Note: Dashed Lines Represent Inswing Vented Units Solid Lines Represent Outswing Vented Units; Lines Converge At Hinge Side Of Vent

Graham Architectural Products reserves the right to change, add, cancel, remove or otherwise modify the details illustrated without prior notice.

1551 Mt. Rose Avenue, York, Pennsylvania 17403-2909 717.849.8100 Toll Free: 800/755-6274

0223 – GT67.12F

Web Site: [www.grahamwindows.com](http://www.grahamwindows.com)

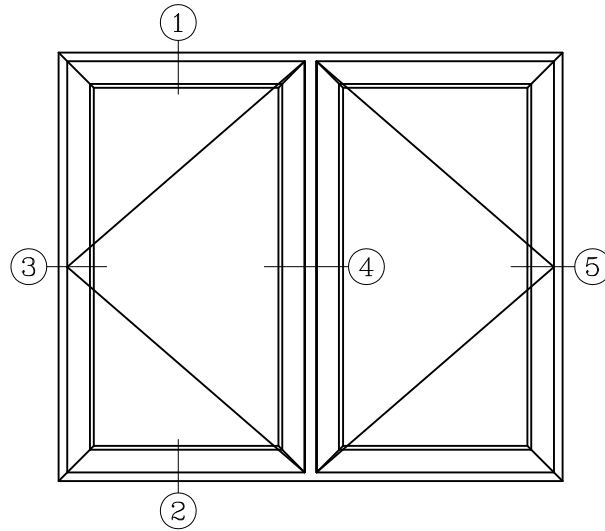
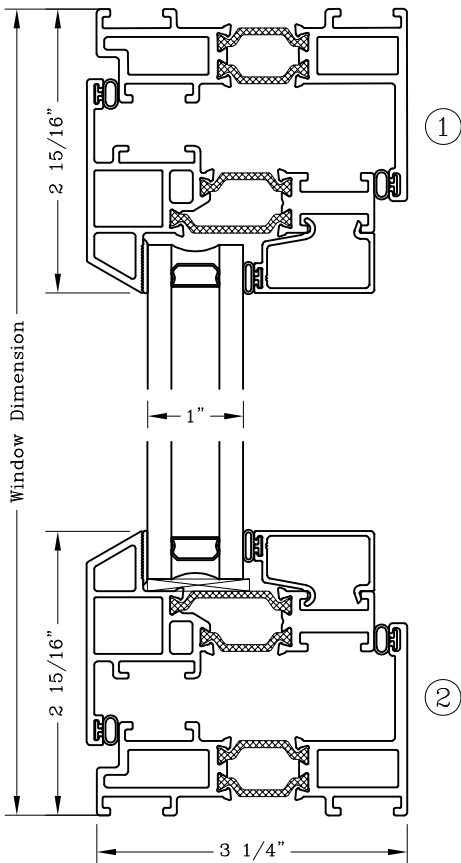
Casement – 3 1/4”  
 Outswing Twin Casement  
 Flush Face



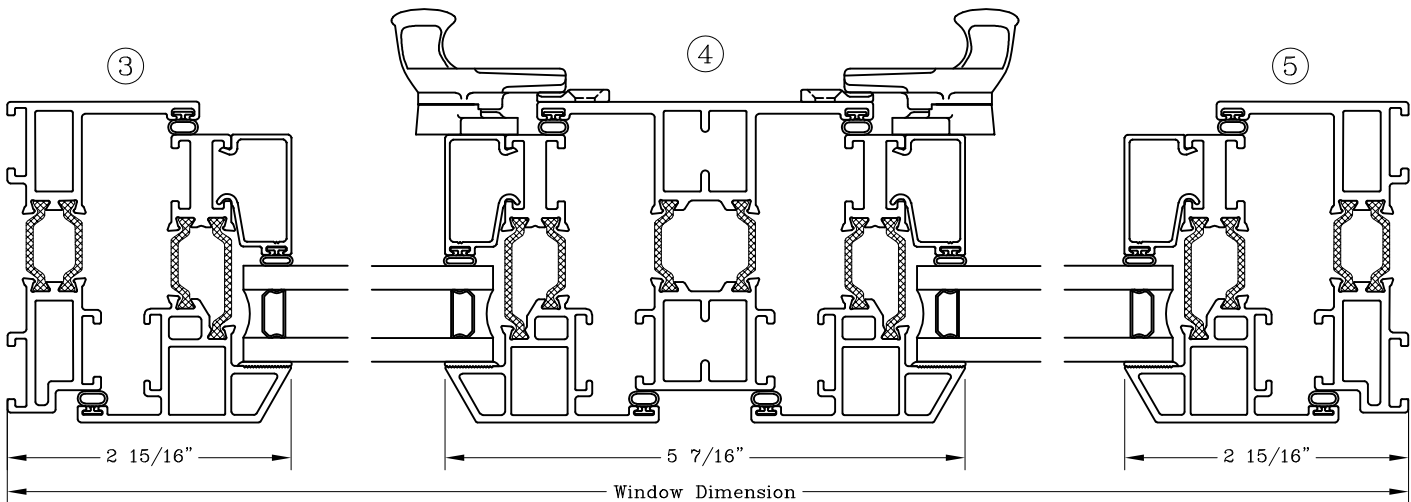
Series: GT6700FF Manufacturing Code: GT6712FFB

Drawing 1/2 Scale – For Custom Size Drawing Contact Graham

Note: Sealant Not Shown On Details. Refer To General Installation Instructions.



ELEVATION



Note: Dashed Lines Represent Inswing Vented Units Solid Lines Represent  
 Outswing Vented Units; Lines Converge At Hinge Side Of Vent

Graham Architectural Products reserves the right to change, add, cancel, remove or otherwise modify the details illustrated without prior notice.

1551 Mt. Rose Avenue, York, Pennsylvania 17403-2909 717.849.8100 Toll Free: 800/755-6274

0223 – GT67.12FFB

Web Site: [www.grahamwindows.com](http://www.grahamwindows.com)

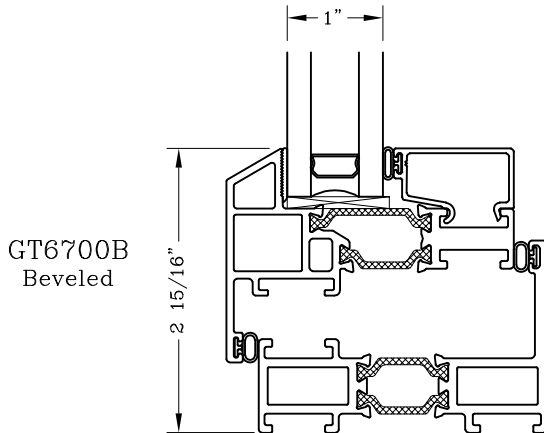
# Profile And Frame Options 3" Frame



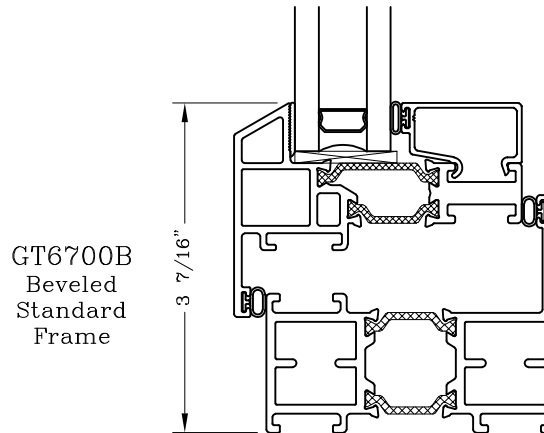
Series: GT6700 Manufacturing Code: GT6713B

Drawing 1/2 Scale – For Custom Size Drawing Contact Graham

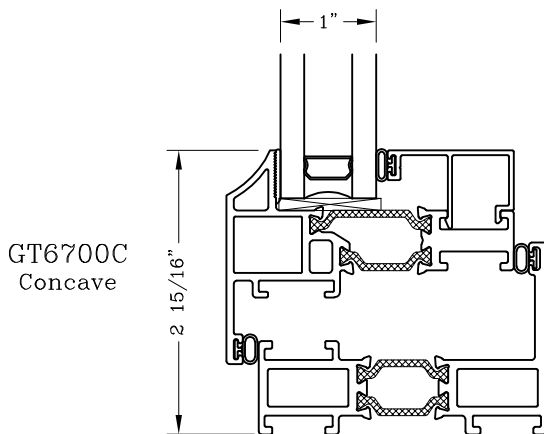
Note: Sealant Not Shown On Details. Refer To General Installation Instructions.



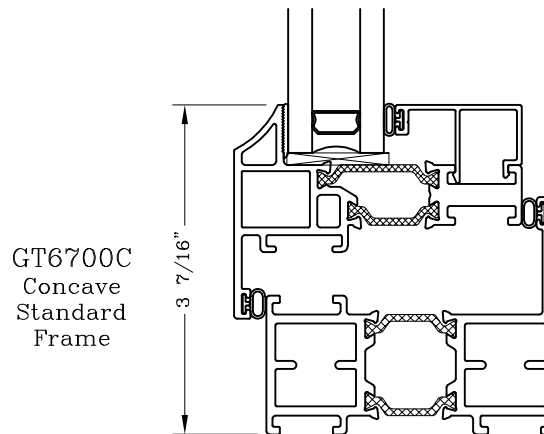
GT6700B  
Beveled



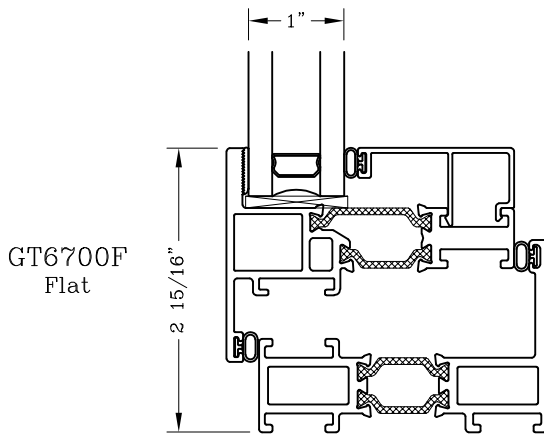
GT6700B  
Beveled  
Standard  
Frame



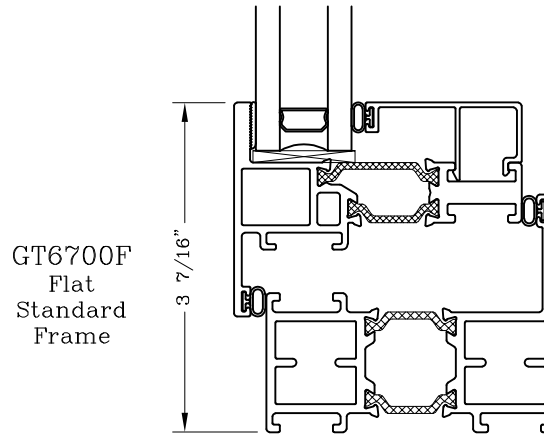
GT6700C  
Concave



GT6700C  
Concave  
Standard  
Frame



GT6700F  
Flat



GT6700F  
Flat  
Standard  
Frame

Note: Dashed Lines Represent Inswing Vented Units Solid Lines Represent  
Outswing Vented Units; Lines Converge At Hinge Side Of Vent

Graham Architectural Products reserves the right to change, add, cancel, remove or otherwise modify the details illustrated without prior notice.

1551 Mt. Rose Avenue, York, Pennsylvania 17403-2909 717.849.8100 Toll Free: 800/755-6274

0223 – GT67.13B

Web Site: [www.grahamwindows.com](http://www.grahamwindows.com)

# Exterior Profile Options

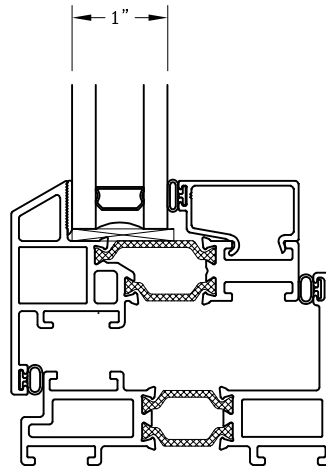
3 1/4"

Flush Face

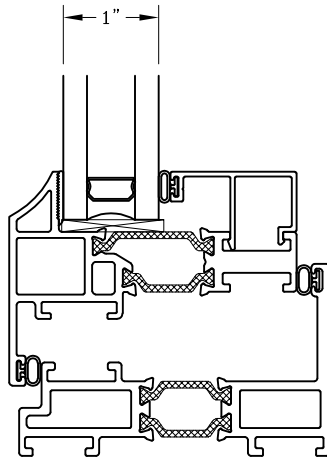
Series: GT6700FF Manufacturing Code: GT6713FFB

Drawing 1/2 Scale - For Custom Size Drawing Contact Graham

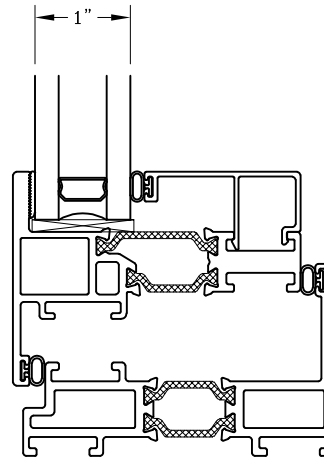
Note: Sealant Not Shown On Details. Refer To General Installation Instructions.



GT6700FFB  
Beveled



GT6700FFC  
Concave



GT6700FFF  
Flat

Note: Dashed Lines Represent Inswing Vented Units Solid Lines Represent  
Outswing Vented Units; Lines Converge At Hinge Side Of Vent

Graham Architectural Products reserves the right to change, add, cancel, remove or otherwise modify the details illustrated without prior notice.

1551 Mt. Rose Avenue, York, Pennsylvania 17403-2909 717.849.8100 Toll Free: 800/755-6274

0223 - GT67.13FFB

Web Site: [www.grahamwindows.com](http://www.grahamwindows.com)

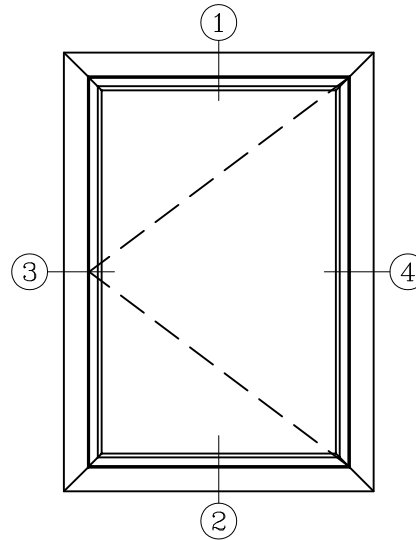
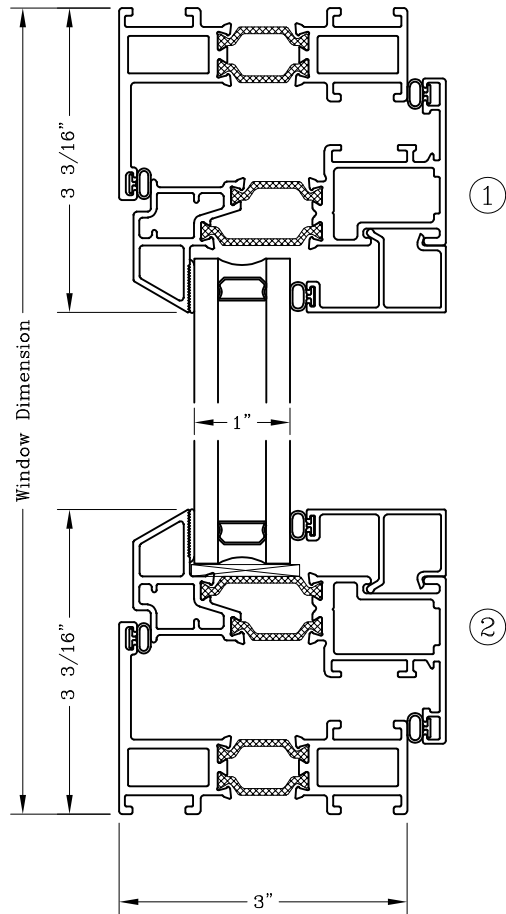
Casement – 3”  
 Equal Sightline  
 Inswing



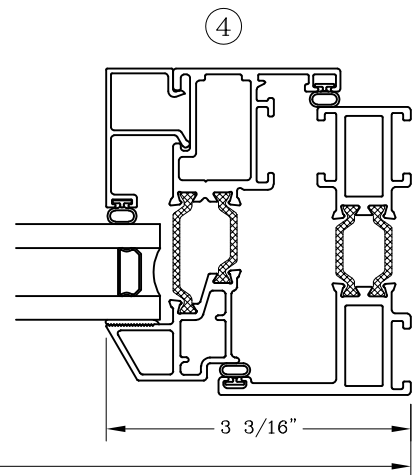
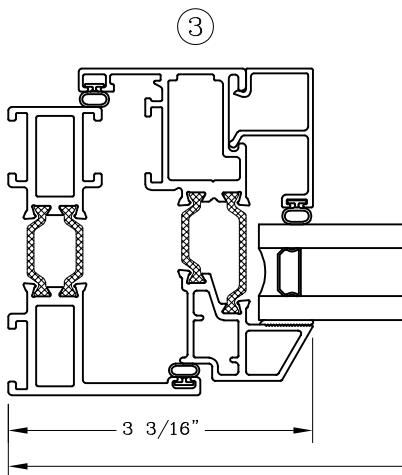
Series: GT6700 Manufacturing Code: GT6728B

Drawing 1/2 Scale – For Custom Size Drawing Contact Graham

Note: Sealant Not Shown On Details. Refer To General Installation Instructions.



ELEVATION



Window Dimension

Note: Dashed Lines Represent Inswing Vented Units Solid Lines Represent  
 Outswing Vented Units; Lines Converge At Hinge Side Of Vent

Graham Architectural Products reserves the right to change, add, cancel, remove or otherwise modify the details illustrated without prior notice.

1551 Mt. Rose Avenue, York, Pennsylvania 17403-2909 717.849.8100 Toll Free: 800/755-6274

0223 – GT67.28B

Web Site: [www.grahamwindows.com](http://www.grahamwindows.com)

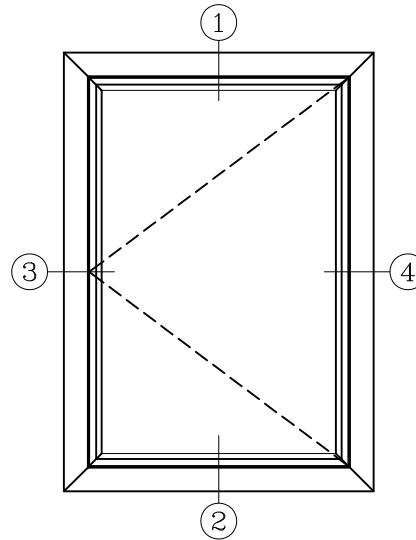
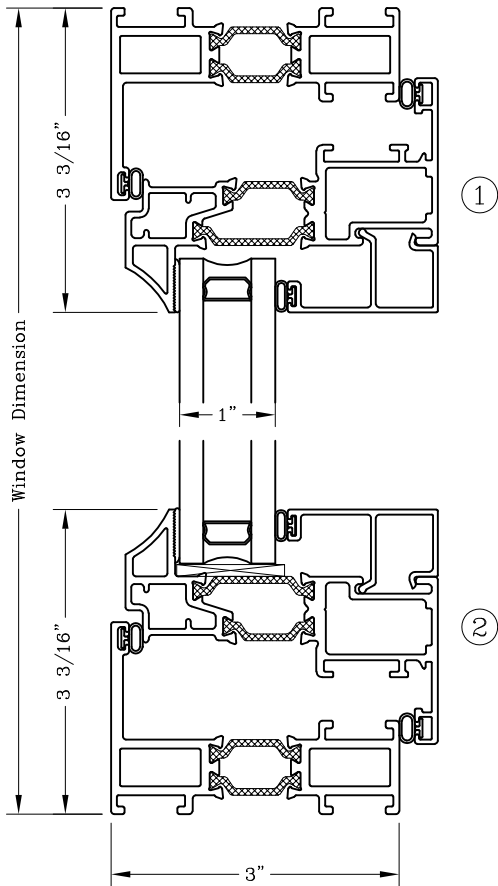
Casement – 3”  
 Equal Sightline  
 Inswing



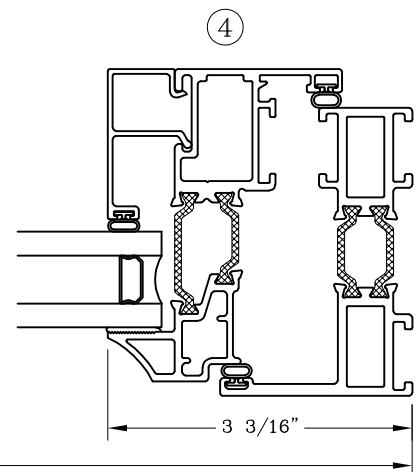
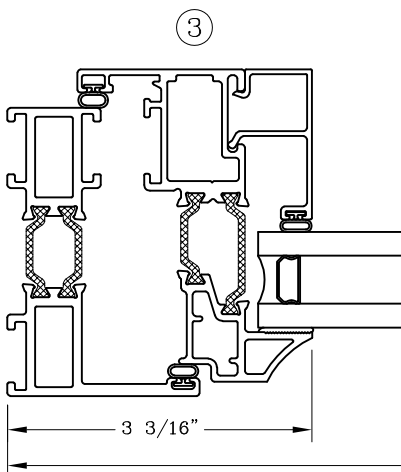
Series: GT6700 Manufacturing Code: GT6728C

Drawing 1/2 Scale – For Custom Size Drawing Contact Graham

Note: Sealant Not Shown On Details. Refer To General Installation Instructions.



ELEVATION



Window Dimension

Note: Dashed Lines Represent Inswing Vented Units Solid Lines Represent  
 Outswing Vented Units; Lines Converge At Hinge Side Of Vent

Graham Architectural Products reserves the right to change, add, cancel, remove or otherwise modify the details illustrated without prior notice.

1551 Mt. Rose Avenue, York, Pennsylvania 17403-2909 717.849.8100 Toll Free: 800/755-6274

0223 – GT67.28C

Web Site: www.grahamwindows.com



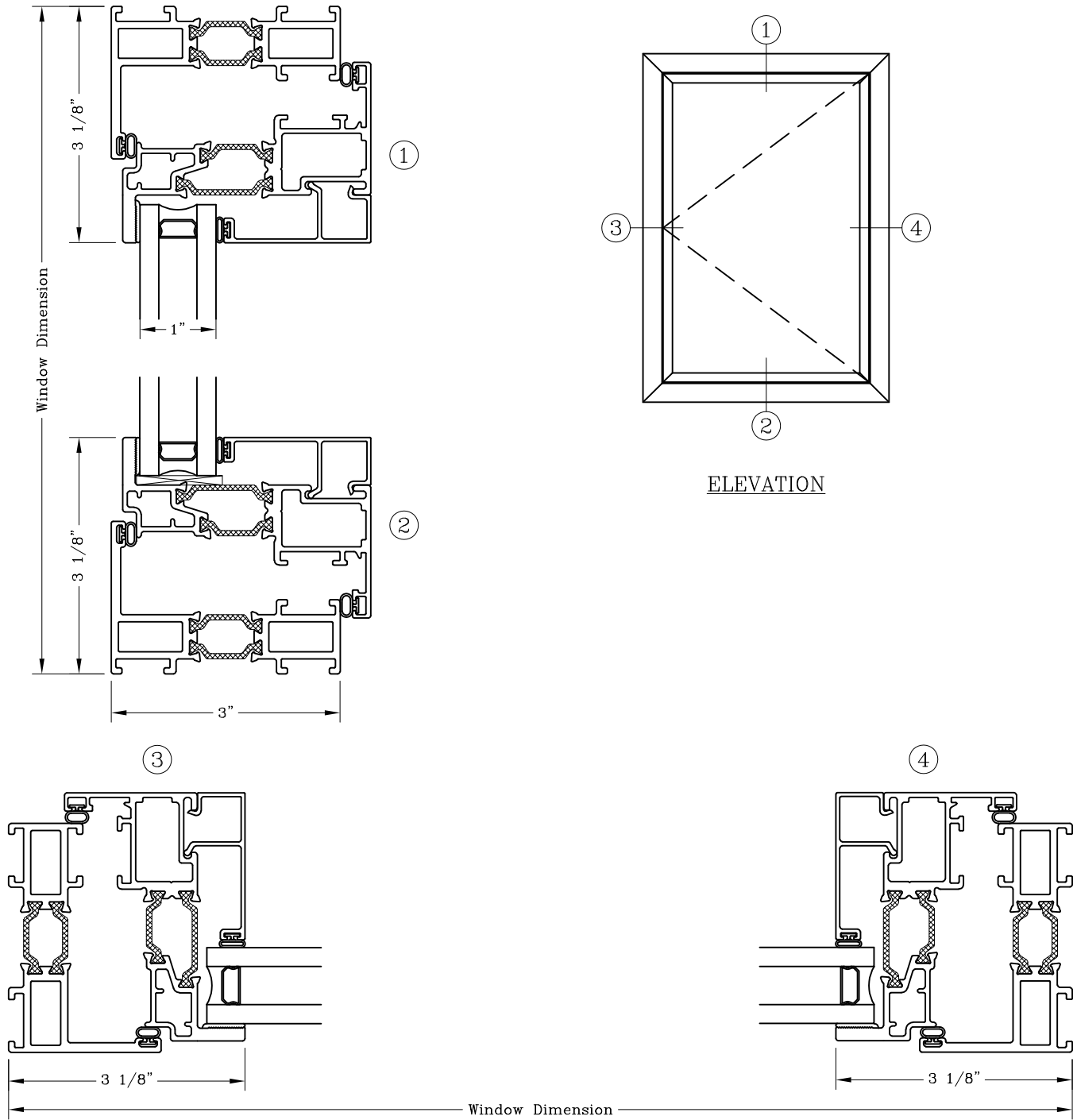
Casement – 3”  
 Equal Sightline  
 Inswing



Series: GT6700 Manufacturing Code: GT6728F

Drawing 1/2 Scale – For Custom Size Drawing Contact Graham

Note: Sealant Not Shown On Details. Refer To General Installation Instructions.



Note: Dashed Lines Represent Inswing Vented Units Solid Lines Represent  
 Outswing Vented Units; Lines Converge At Hinge Side Of Vent  
 Graham Architectural Products reserves the right to change, add, cancel, remove or otherwise modify the details illustrated without prior notice.  
 1551 Mt. Rose Avenue, York, Pennsylvania 17403-2909 717.849.8100 Toll Free: 800/755-6274 0223 – GT67.28F  
 Web Site: www.grahamwindows.com

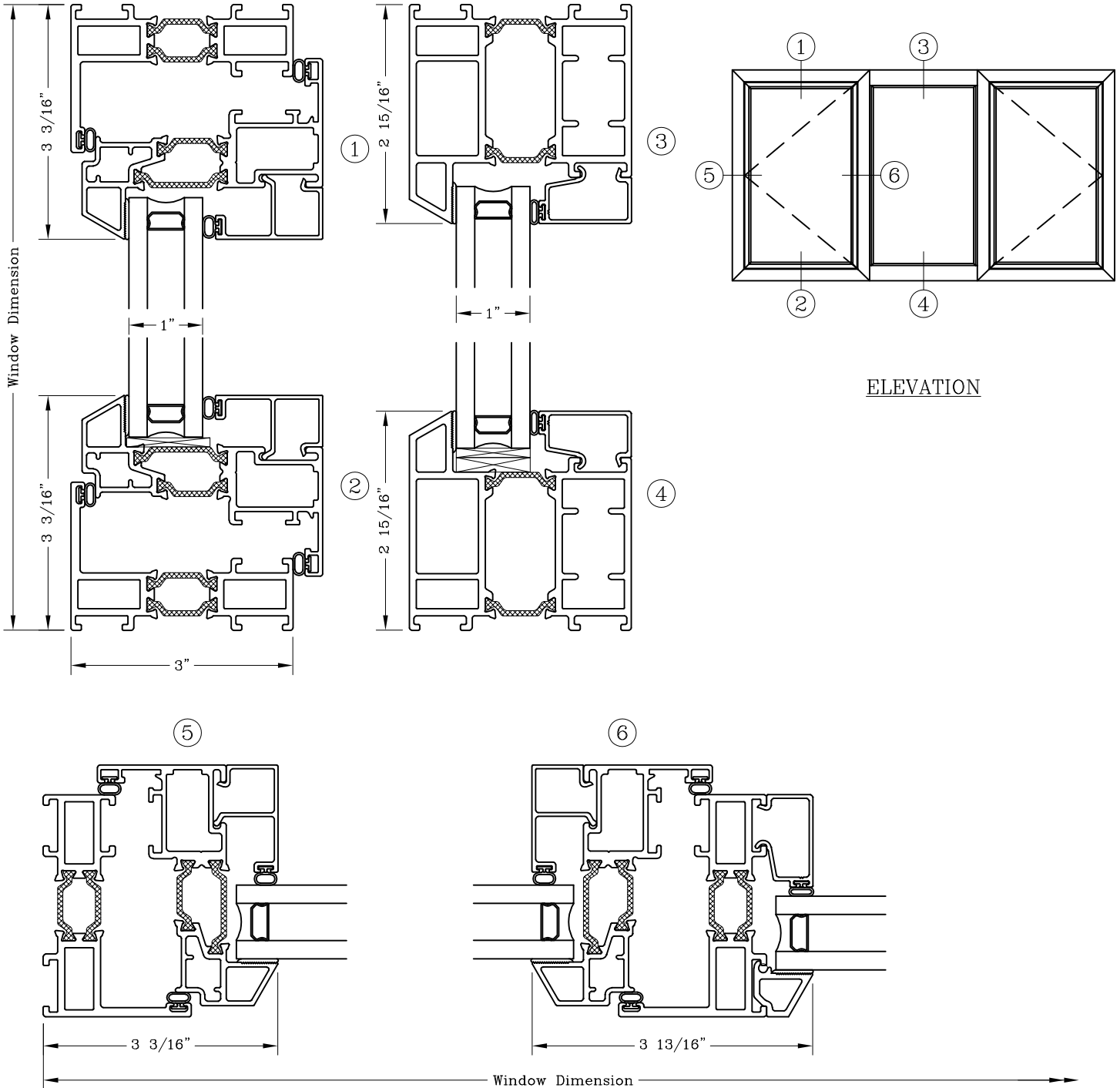
Casement – 3”  
 Equal Sightline  
 Inswing/Fixed/Inswing

Series: GT6700

Manufacturing Code: GT6729B

Drawing 1/2 Scale – For Custom Size Drawing Contact Graham

Note: Sealant Not Shown On Details. Refer To General Installation Instructions.



ELEVATION

Note: Dashed Lines Represent Inswing Vented Units Solid Lines Represent  
 Outswing Vented Units; Lines Converge At Hinge Side Of Vent

Graham Architectural Products reserves the right to change, add, cancel, remove or otherwise modify the details illustrated without prior notice.

1551 Mt. Rose Avenue, York, Pennsylvania 17403-2909 717.849.8100 Toll Free: 800/755-6274

0223 – GT67.29B

Web Site: [www.grahamwindows.com](http://www.grahamwindows.com)

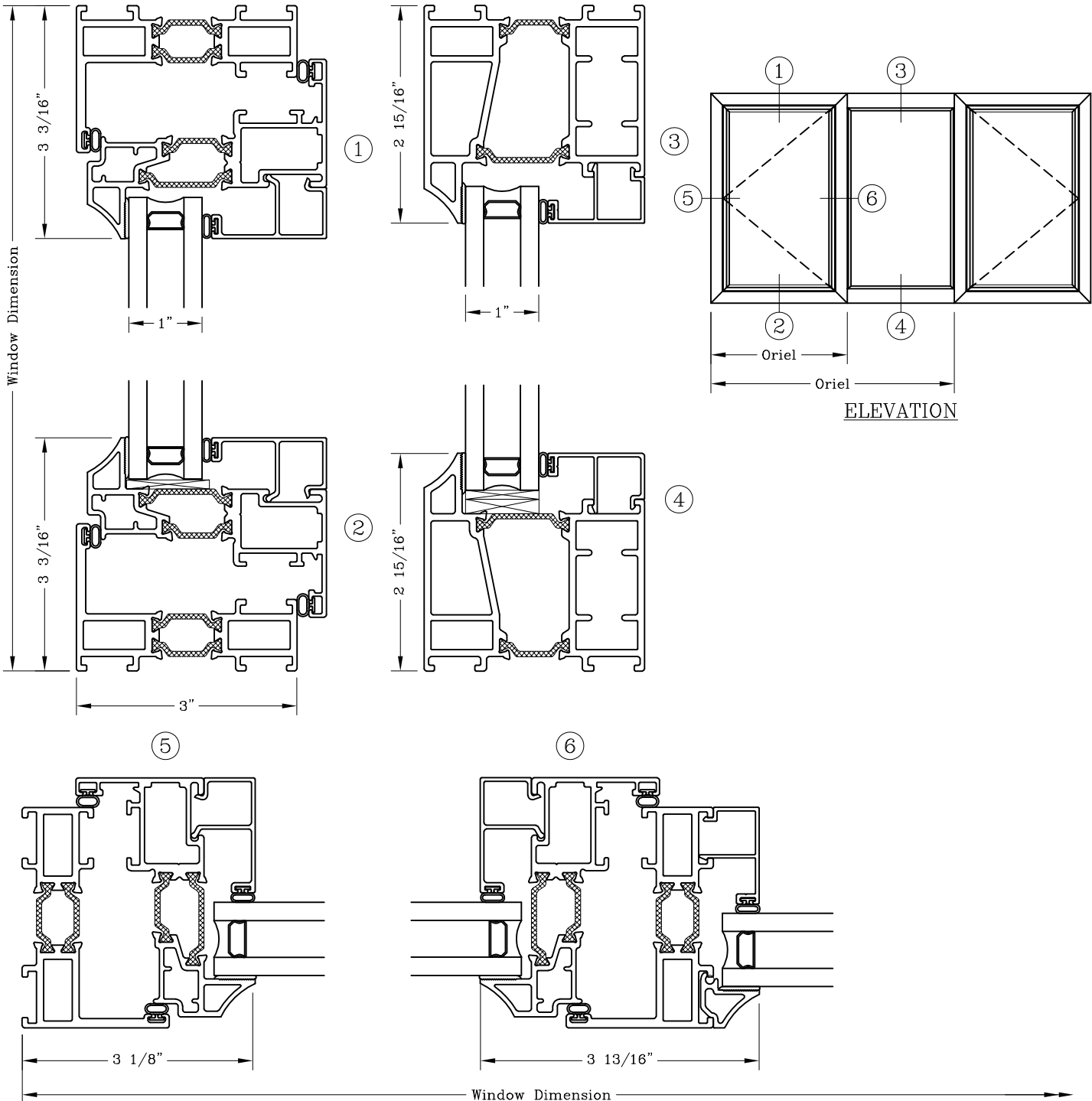
Casement – 3”  
 Equal Sightline  
 Inswing/Fixed/Inswing

Series: GT6700

Manufacturing Code: GT6729C

Drawing 1/2 Scale – For Custom Size Drawing Contact Graham

Note: Sealant Not Shown On Details. Refer To General Installation Instructions.



Note: Dashed Lines Represent Inswing Vented Units Solid Lines Represent  
 Outswing Vented Units; Lines Converge At Hinge Side Of Vent

Graham Architectural Products reserves the right to change, add, cancel, remove or otherwise modify the details illustrated without prior notice.

1551 Mt. Rose Avenue, York, Pennsylvania 17403-2909 717.849.8100 Toll Free: 800/755-6274

0223 – GT67.29C

Web Site: [www.grahamwindows.com](http://www.grahamwindows.com)

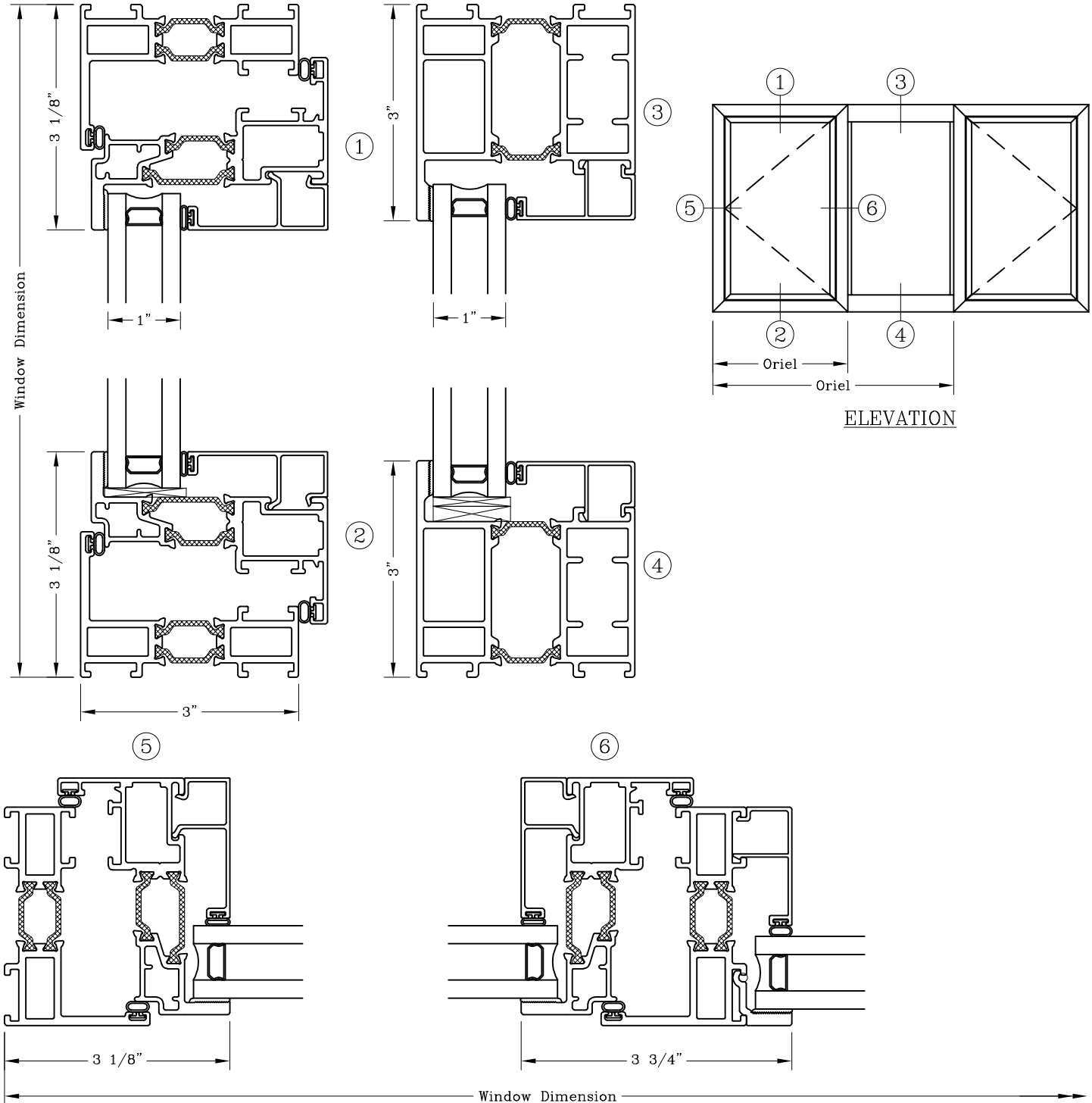
Casement - 3"  
 Equal Sightline  
 Inswing/Fixed/Inswing



Series: GT6700 Manufacturing Code: GT6729F

Drawing 1/2 Scale - For Custom Size Drawing Contact Graham

Note: Sealant Not Shown On Details. Refer To General Installation Instructions.



Note: Dashed Lines Represent Inswing Vented Units Solid Lines Represent  
 Outswing Vented Units; Lines Converge At Hinge Side Of Vent

Graham Architectural Products reserves the right to change, add, cancel, remove or otherwise modify the details illustrated without prior notice.

1551 Mt. Rose Avenue, York, Pennsylvania 17403-2909 717.849.8100 Toll Free: 800/755-6274

0223 - GT67.29F

Web Site: www.grahamwindows.com

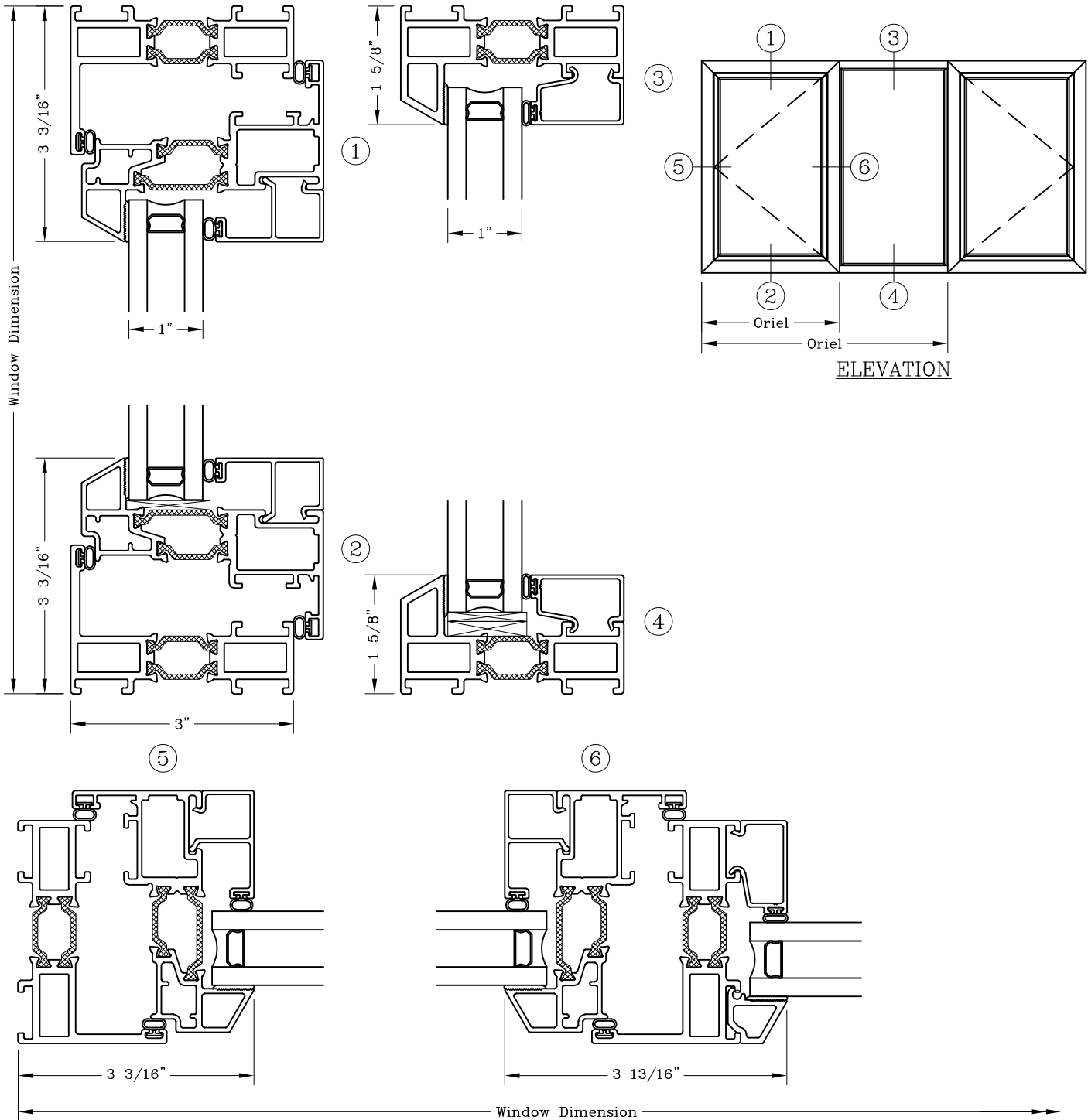
Casement – 3”  
 Narrow Sightline  
 Inswing/Fixed/Inswing

Series: GT6700

Manufacturing Code: GT6730B

Drawing 1/2 Scale – For Custom Size Drawing Contact Graham

Note: Sealant Not Shown On Details. Refer To General Installation Instructions.



Note: Dashed Lines Represent Inswing Vented Units Solid Lines Represent  
 Outswing Vented Units; Lines Converge At Hinge Side Of Vent

Graham Architectural Products reserves the right to change, add, cancel, remove or otherwise modify the details illustrated without prior notice.

1551 Mt. Rose Avenue, York, Pennsylvania 17403-2909 717.849.8100 Toll Free: 800/755-6274

0223 – GT67.30B

Web Site: [www.grahamwindows.com](http://www.grahamwindows.com)

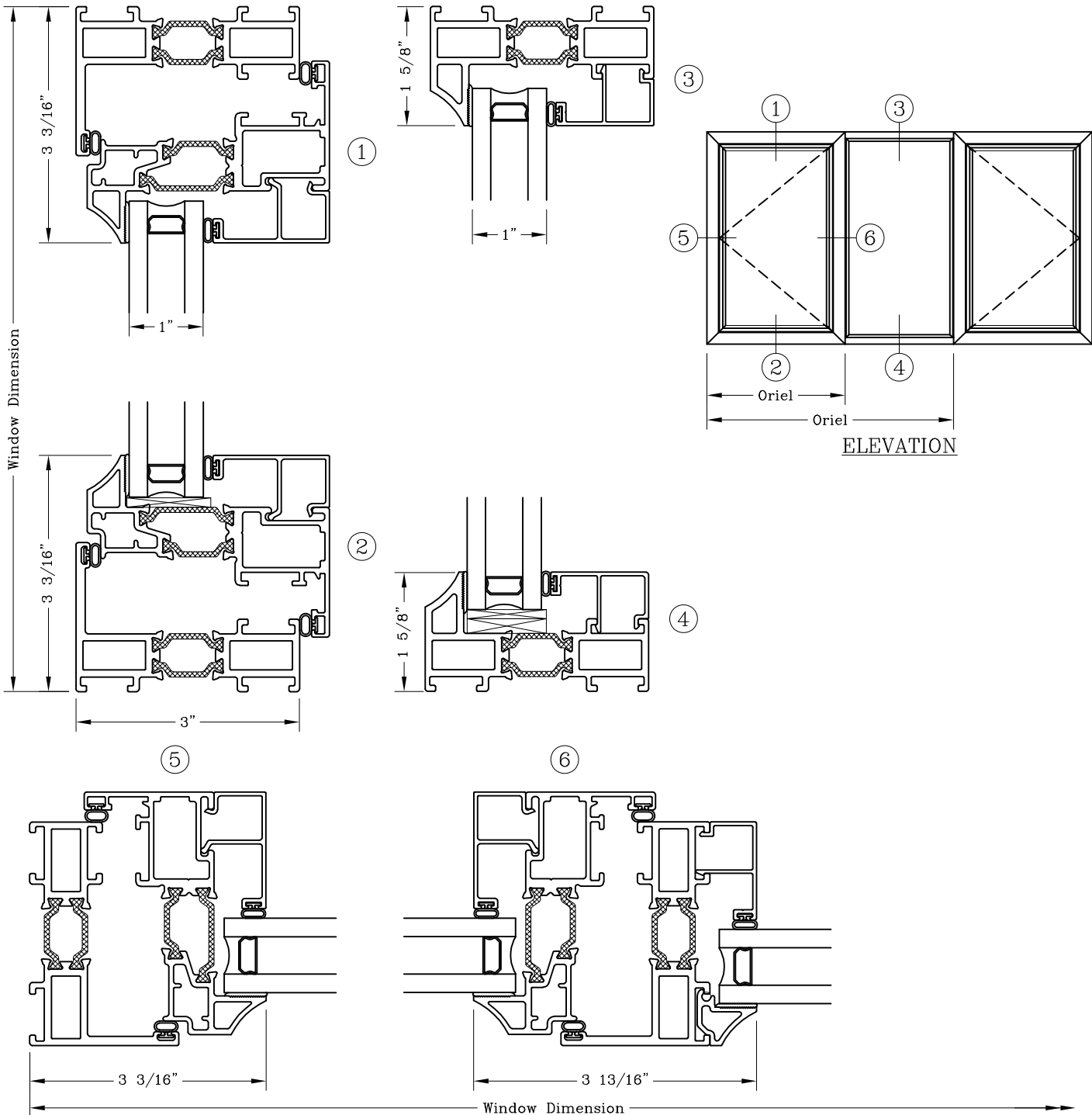
Casement – 3”  
Narrow Sightline  
Inswing/Fixed/Inswing

Series: GT6700

Manufacturing Code: GT6730C

Drawing 1/2 Scale – For Custom Size Drawing Contact Graham

Note: Sealant Not Shown On Details. Refer To General Installation Instructions.



Note: Dashed Lines Represent Inswing Vented Units Solid Lines Represent Outswing Vented Units; Lines Converge At Hinge Side Of Vent

Graham Architectural Products reserves the right to change, add, cancel, remove or otherwise modify the details illustrated without prior notice.

1551 Mt. Rose Avenue, York, Pennsylvania 17403-2909 717.849.8100 Toll Free: 800/755-6274

0223 – GT67.30C

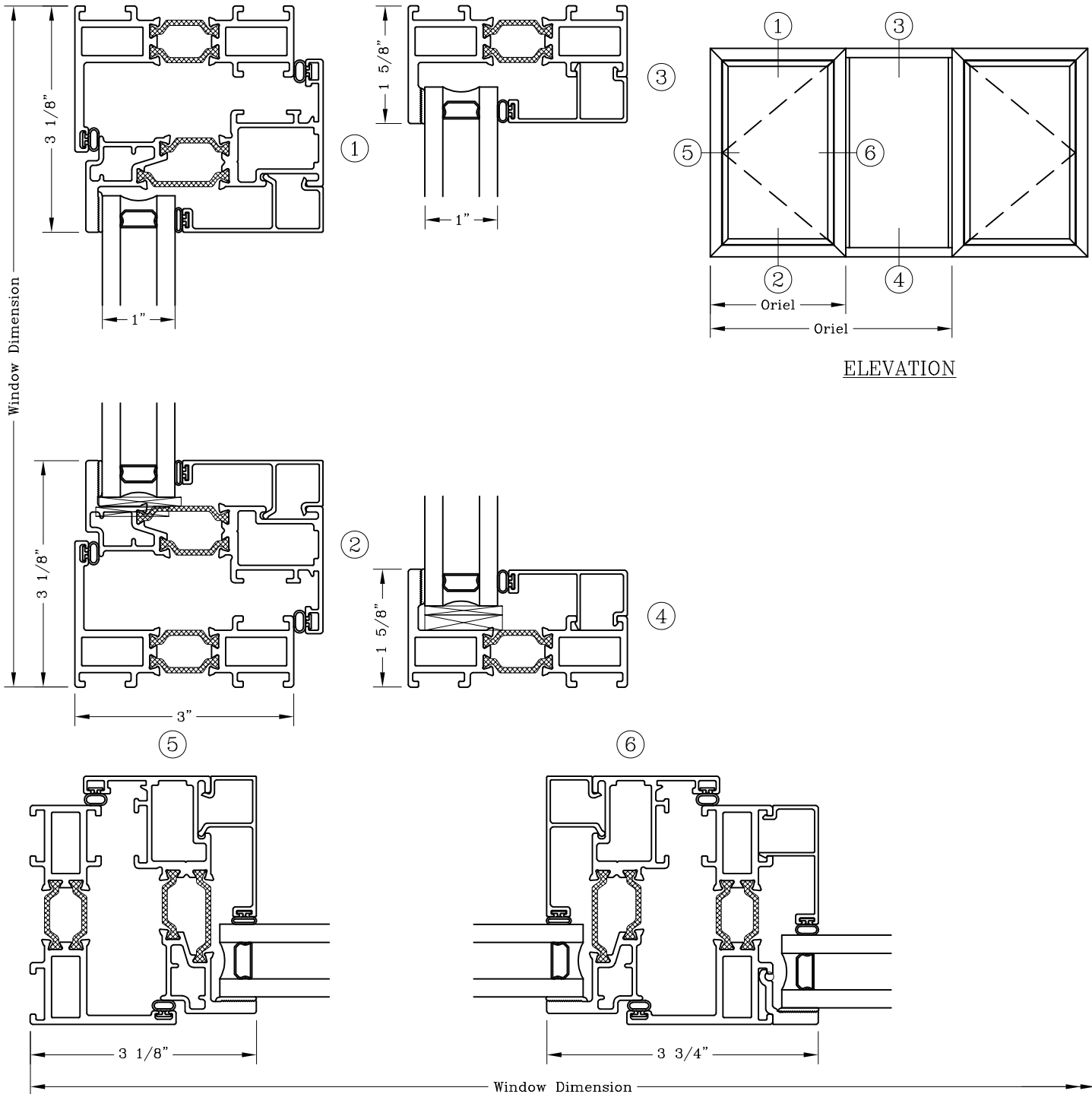
Web Site: www.grahamwindows.com

Casement – 3”  
 Narrow Sightline  
 Inswing/Fixed/Inswing

Series: GT6700      Manufacturing Code: GT6730F

Drawing 1/2 Scale – For Custom Size Drawing Contact Graham

Note: Sealant Not Shown On Details. Refer To General Installation Instructions.



Note: Dashed Lines Represent Inswing Vented Units Solid Lines Represent  
 Outswing Vented Units; Lines Converge At Hinge Side Of Vent

Graham Architectural Products reserves the right to change, add, cancel, remove or otherwise modify the details illustrated without prior notice.

1551 Mt. Rose Avenue, York, Pennsylvania 17403-2909 717.849.8100 Toll Free: 800/755-6274

0223 – GT67.30F

Web Site: [www.grahamwindows.com](http://www.grahamwindows.com)

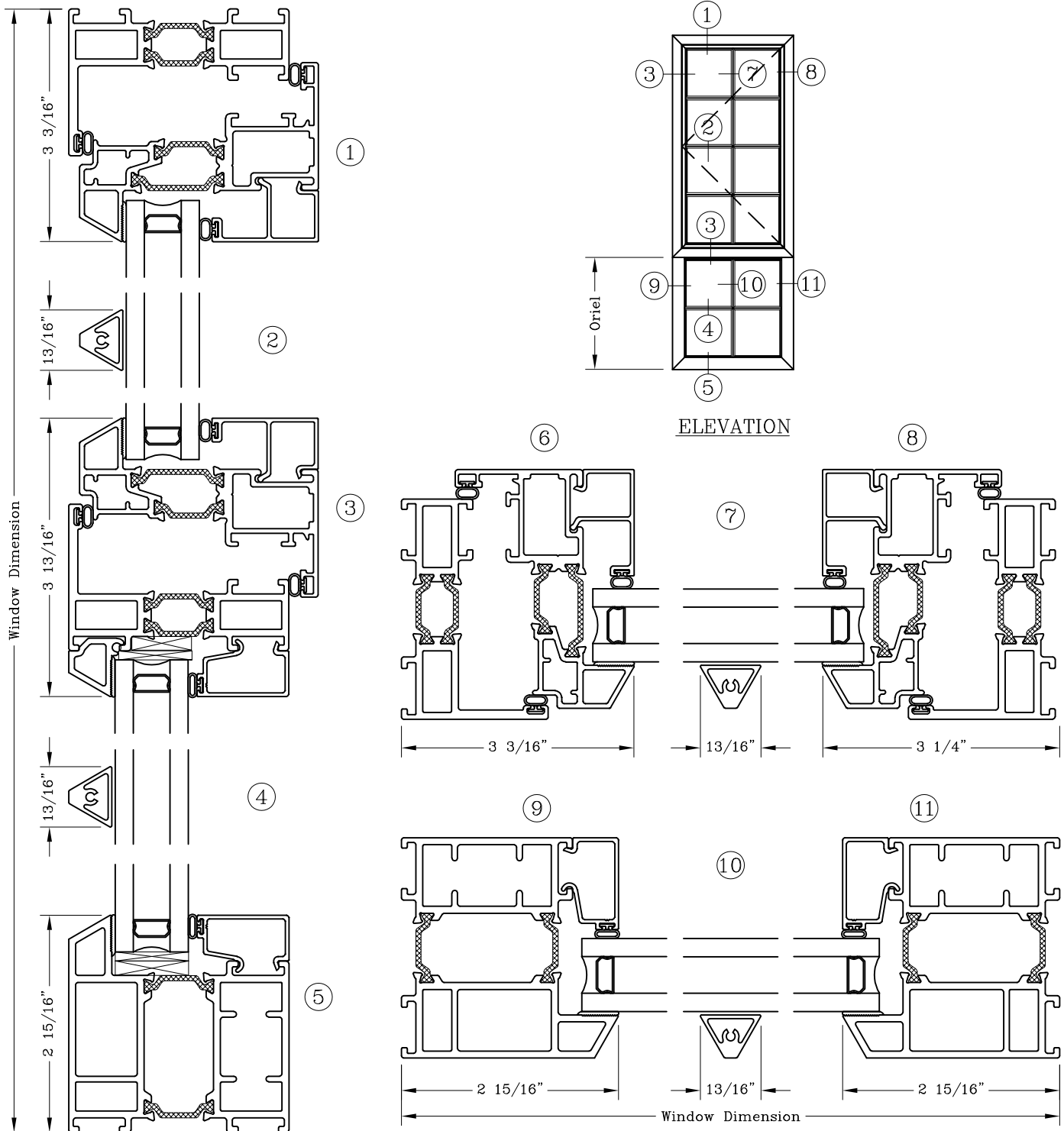
Casement - 3"  
 Equal Sightline  
 Inswing Over Fixed

Series: GT6700

Manufacturing Code: GT6731B

Drawing 1/2 Scale - For Custom Size Drawing Contact Graham

Note: Sealant Not Shown On Details. Refer To General Installation Instructions.



Note: Dashed Lines Represent Inswing Vented Units Solid Lines Represent  
 Outswing Vented Units; Lines Converge At Hinge Side Of Vent

Graham Architectural Products reserves the right to change, add, cancel, remove or otherwise modify the details illustrated without prior notice.

1551 Mt. Rose Avenue, York, Pennsylvania 17403-2909 717.849.8100 Toll Free: 800/755-6274

0223 - GT67.31B

Web Site: www.grahamwindows.com



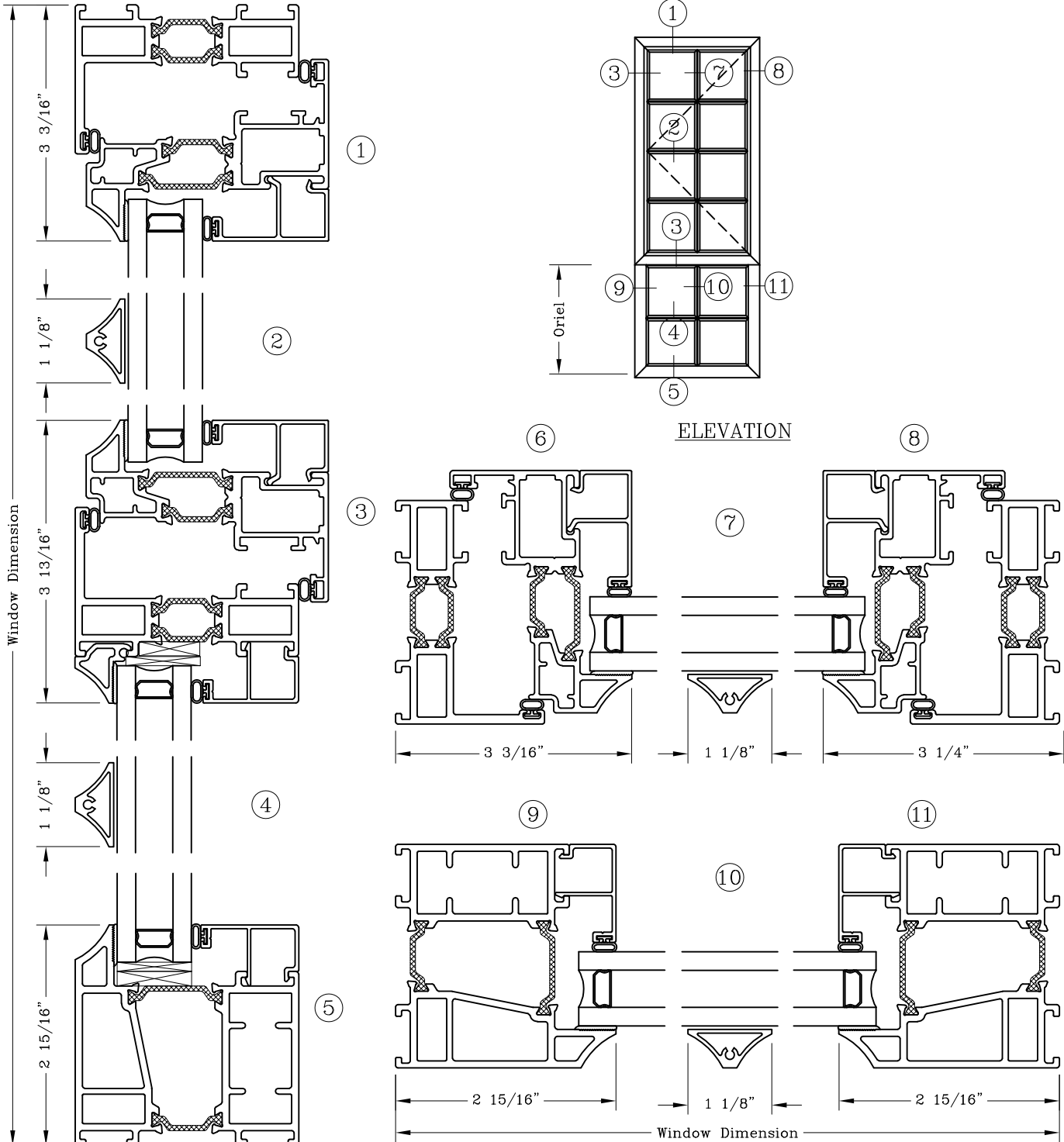
Casement - 3"  
 Equal Sightline  
 Inswing Over Fixed

Series: GT6700

Manufacturing Code: GT6731C

Drawing 1/2 Scale - For Custom Size Drawing Contact Graham

Note: Sealant Not Shown On Details. Refer To General Installation Instructions.



Note: Dashed Lines Represent Inswing Vented Units Solid Lines Represent  
 Outswing Vented Units; Lines Converge At Hinge Side Of Vent

Graham Architectural Products reserves the right to change, add, cancel, remove or otherwise modify the details illustrated without prior notice.

1551 Mt. Rose Avenue, York, Pennsylvania 17403-2909 717.849.8100 Toll Free: 800/755-6274

0223 - GT67.31C

Web Site: www.grahamwindows.com

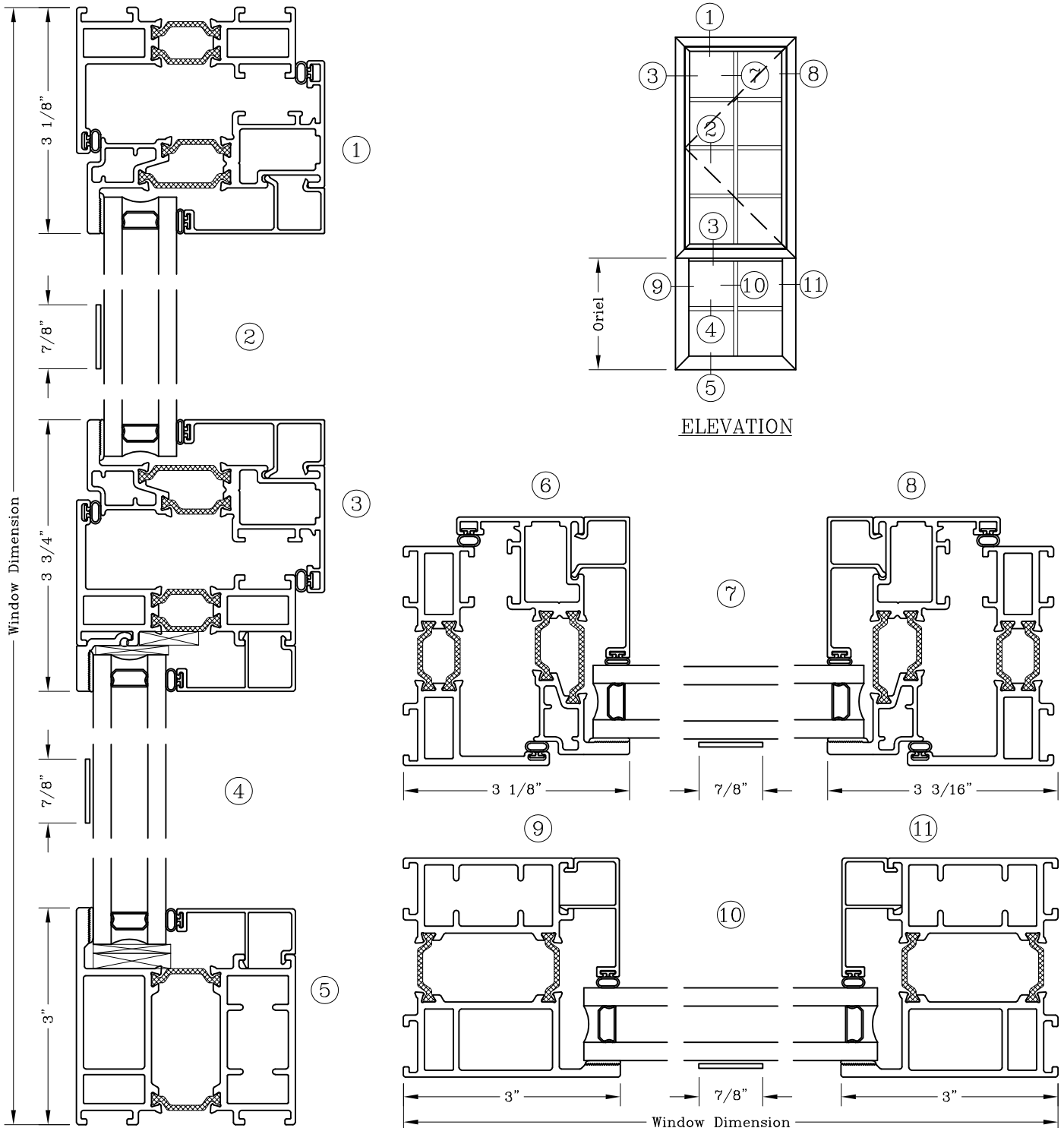
Casement - 3"  
 Equal Sightline  
 Inswing Over Fixed



Series: GT6700 Manufacturing Code: GT6731F

Drawing 1/2 Scale - For Custom Size Drawing Contact Graham

Note: Sealant Not Shown On Details. Refer To General Installation Instructions.



Note: Dashed Lines Represent Inswing Vented Units Solid Lines Represent  
 Outswing Vented Units; Lines Converge At Hinge Side Of Vent

Graham Architectural Products reserves the right to change, add, cancel, remove or otherwise modify the details illustrated without prior notice.

1551 Mt. Rose Avenue, York, Pennsylvania 17403-2909 717.849.8100 Toll Free: 800/755-6274

0223 - GT67.31F

Web Site: www.grahamwindows.com

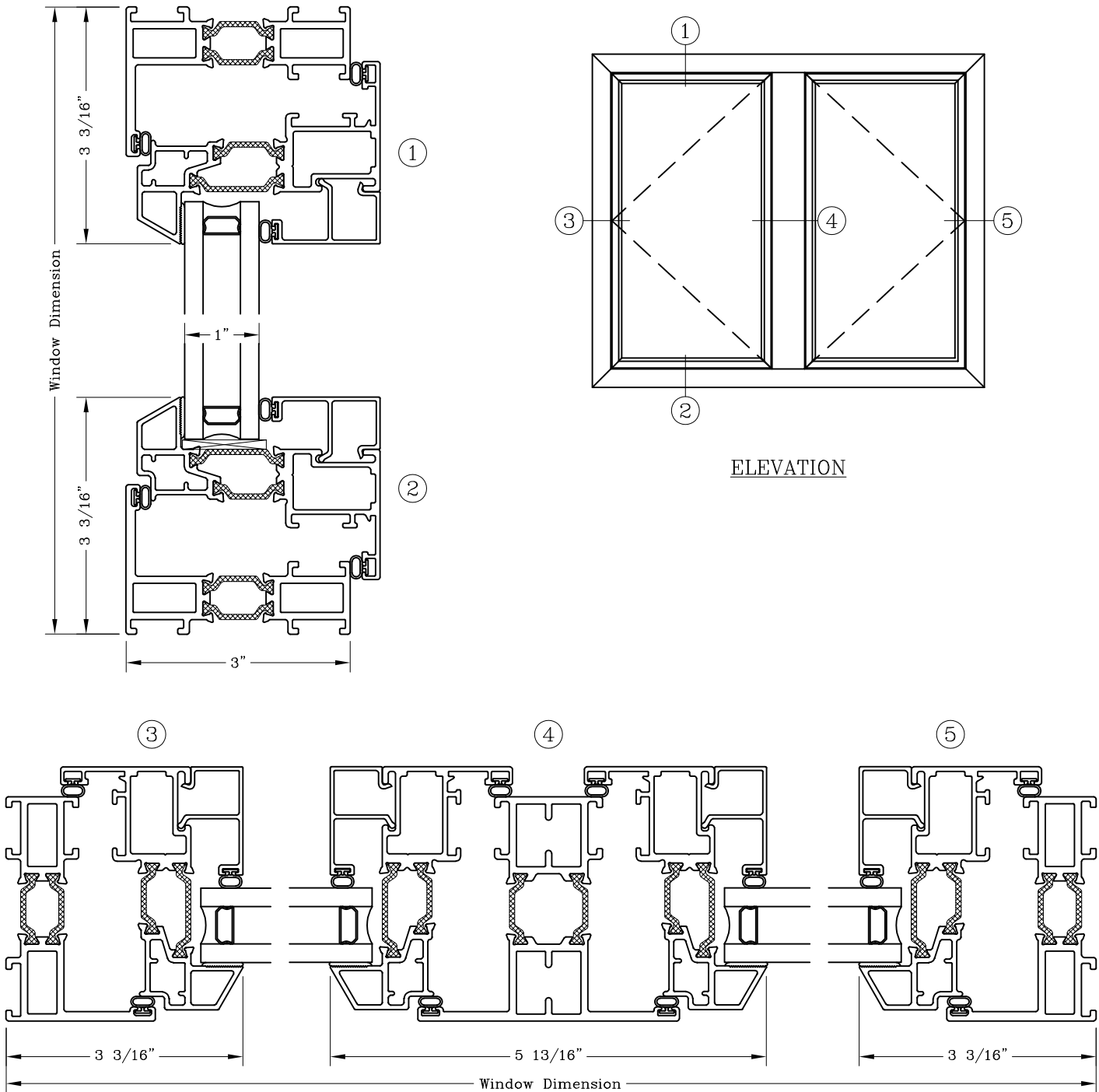
# Casement – 3” Inswing Twin Casement



Series: GT6700      Manufacturing Code: GT6732B

Drawing 1/2 Scale – For Custom Size Drawing Contact Graham

Note: Sealant Not Shown On Details. Refer To General Installation Instructions.



Note: Dashed Lines Represent Inswing Vented Units Solid Lines Represent  
Outswing Vented Units; Lines Converge At Hinge Side Of Vent  
Graham Architectural Products reserves the right to change, add, cancel, remove or otherwise modify the details illustrated without prior notice.  
1551 Mt. Rose Avenue, York, Pennsylvania 17403-2909 717.849.8100 Toll Free: 800/755-6274      0223 – GT67.32B  
Web Site: [www.grahamwindows.com](http://www.grahamwindows.com)

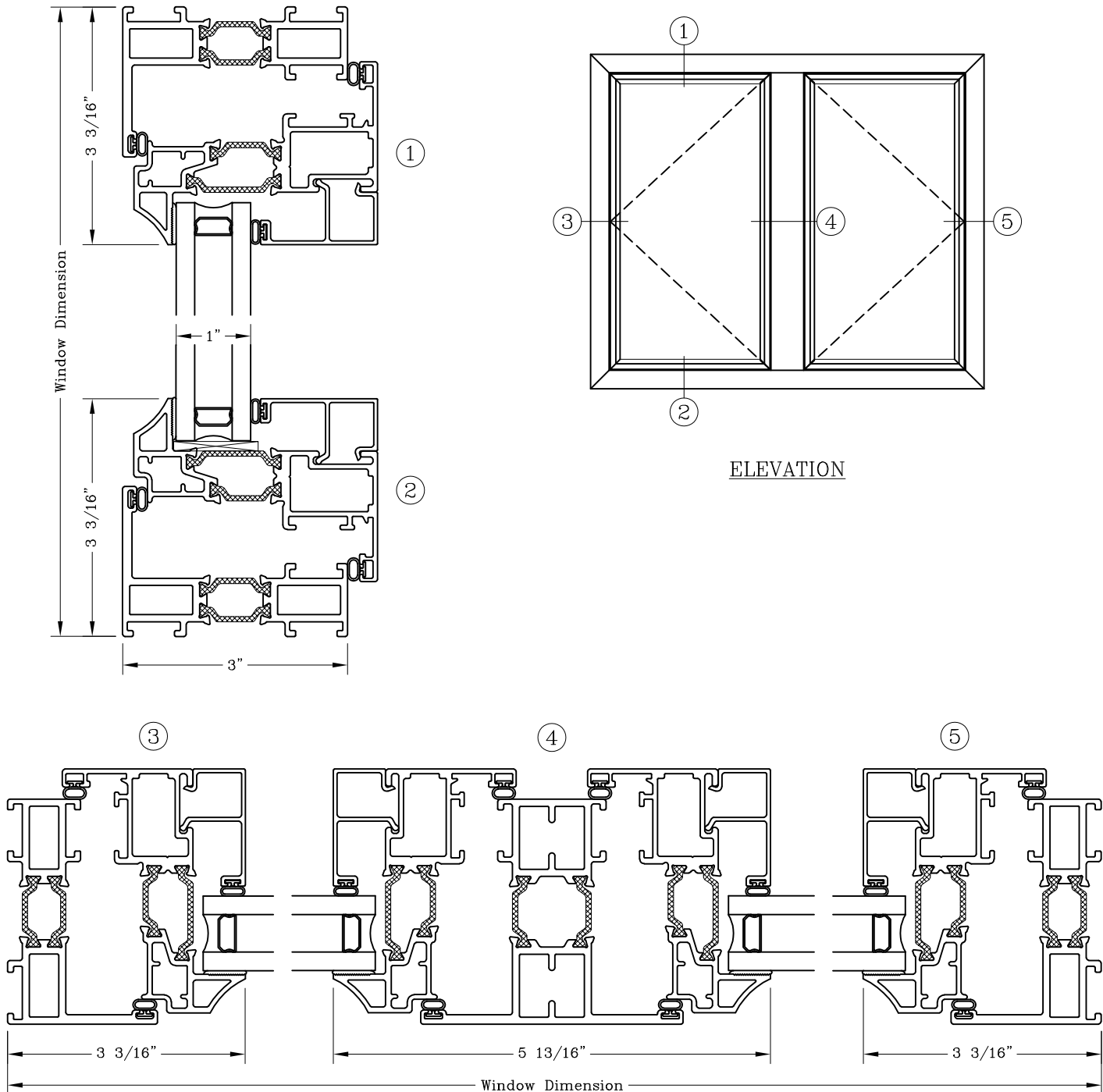
# Casement – 3” Inswing Twin Casement



Series: GT6700      Manufacturing Code: GT6732C

Drawing 1/2 Scale – For Custom Size Drawing Contact Graham

Note: Sealant Not Shown On Details. Refer To General Installation Instructions.



ELEVATION

Note: Dashed Lines Represent Inswing Vented Units Solid Lines Represent  
Outswing Vented Units; Lines Converge At Hinge Side Of Vent

Graham Architectural Products reserves the right to change, add, cancel, remove or otherwise modify the details illustrated without prior notice.

1551 Mt. Rose Avenue, York, Pennsylvania 17403-2909 717.849.8100 Toll Free: 800/755-6274

0223 – GT67.32C

Web Site: [www.grahamwindows.com](http://www.grahamwindows.com)

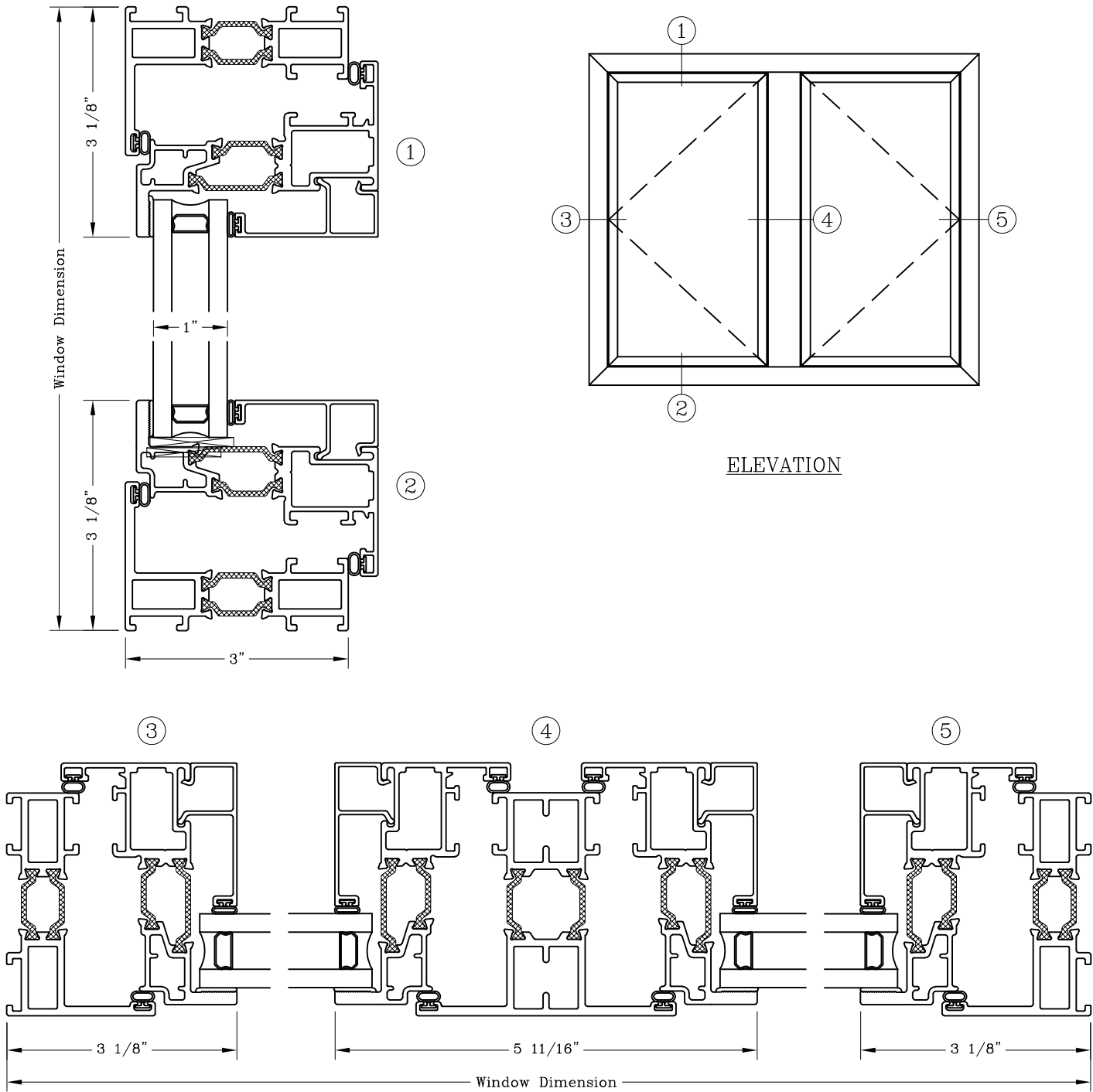
# Casement – 3” Inswing Twin Casement



Series: GT6700      Manufacturing Code: GT6732F

Drawing 1/2 Scale – For Custom Size Drawing Contact Graham

Note: Sealant Not Shown On Details. Refer To General Installation Instructions.



ELEVATION

Note: Dashed Lines Represent Inswing Vented Units Solid Lines Represent  
Outswing Vented Units; Lines Converge At Hinge Side Of Vent

Graham Architectural Products reserves the right to change, add, cancel, remove or otherwise modify the details illustrated without prior notice.

1551 Mt. Rose Avenue, York, Pennsylvania 17403-2909 717.849.8100 Toll Free: 800/755-6274

0223 – GT67.32F

Web Site: [www.grahamwindows.com](http://www.grahamwindows.com)

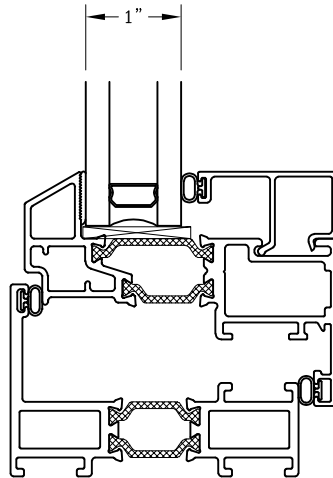
# Exterior Profile Options - 3"



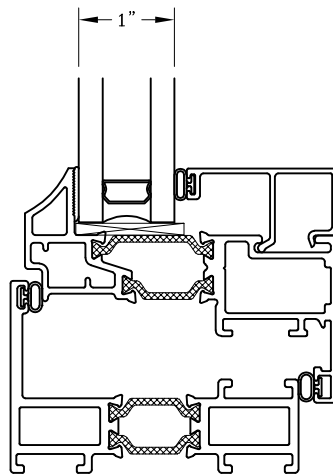
Series: GT6700 Manufacturing Code: GT6733B

Drawing 1/2 Scale - For Custom Size Drawing Contact Graham

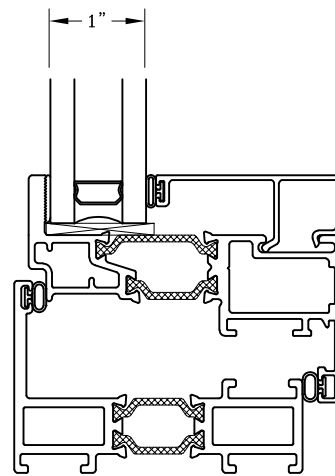
Note: Sealant Not Shown On Details. Refer To General Installation Instructions.



GT6700B  
Beveled



GT6700C  
Concave



GT6700F  
Flat

Note: Dashed Lines Represent Inswing Vented Units Solid Lines Represent  
Outswing Vented Units; Lines Converge At Hinge Side Of Vent  
Graham Architectural Products reserves the right to change, add, cancel, remove or otherwise modify the details illustrated without prior notice.

1551 Mt. Rose Avenue, York, Pennsylvania 17403-2909 717.849.8100 Toll Free: 800/755-6274

Web Site: [www.grahamwindows.com](http://www.grahamwindows.com)

0223 - GT67.33B