

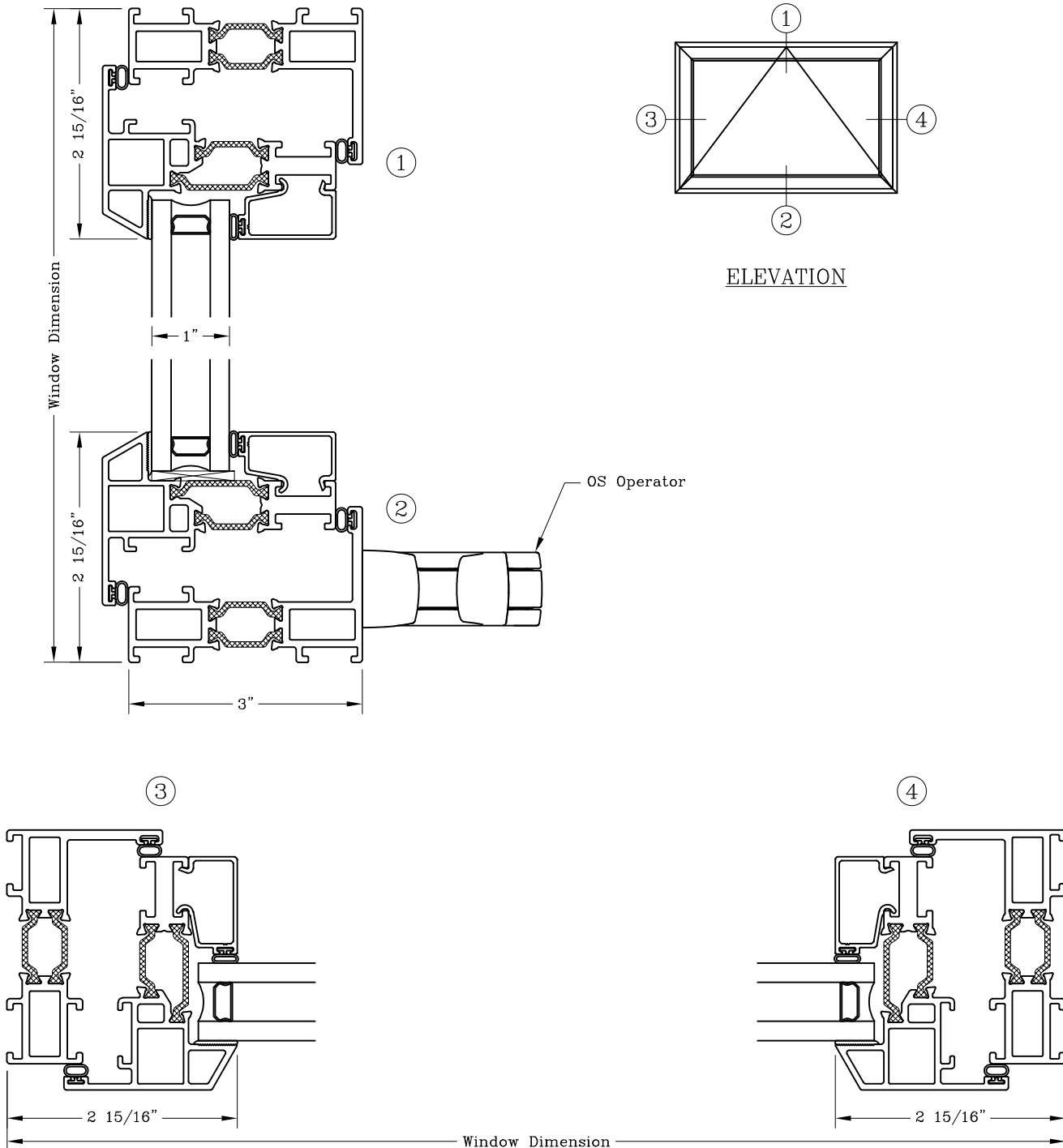
Projected - 3"  
 Equal Sightline  
 Outswing Awning



Series: GT6700 Manufacturing Code: GT6701B

Drawing 1/2 Scale - For Custom Size Drawing Contact Graham

Note: Sealant Not Shown On Details. Refer To General Installation Instructions.



Note: Dashed Lines Represent Inswing Vented Units Solid Lines Represent Outswing Vented Units; Lines Converge At Hinge Side Of Vent

Graham Architectural Products reserves the right to change, add, cancel, remove or otherwise modify the details illustrated without prior notice.

1551 Mt. Rose Avenue, York, Pennsylvania 17403-2909 717.849.8100 Toll Free: 800/755-6274

0223 - GT67.01B

Web Site: [www.grahamwindows.com](http://www.grahamwindows.com)

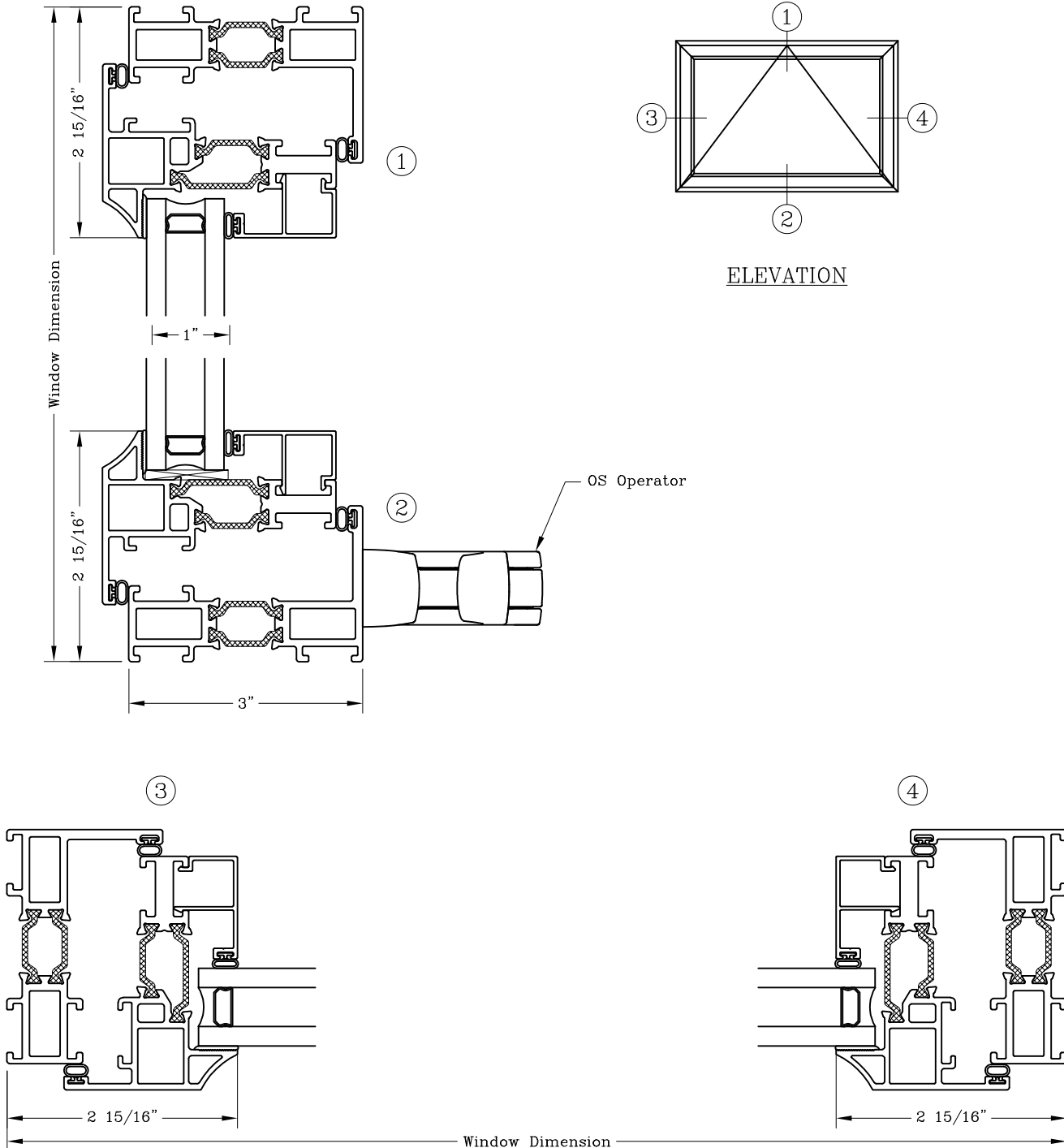
Projected - 3"  
 Equal Sightline  
 Outswing Awning

Series: GT6700

Manufacturing Code: GT6701C

Drawing 1/2 Scale - For Custom Size Drawing Contact Graham

Note: Sealant Not Shown On Details. Refer To General Installation Instructions.



Note: Dashed Lines Represent Inswing Vented Units Solid Lines Represent Outswing Vented Units; Lines Converge At Hinge Side Of Vent

Graham Architectural Products reserves the right to change, add, cancel, remove or otherwise modify the details illustrated without prior notice.

1551 Mt. Rose Avenue, York, Pennsylvania 17403-2909 717.849.8100 Toll Free: 800/755-6274

0223 - GT67.01C

Web Site: www.grahamwindows.com

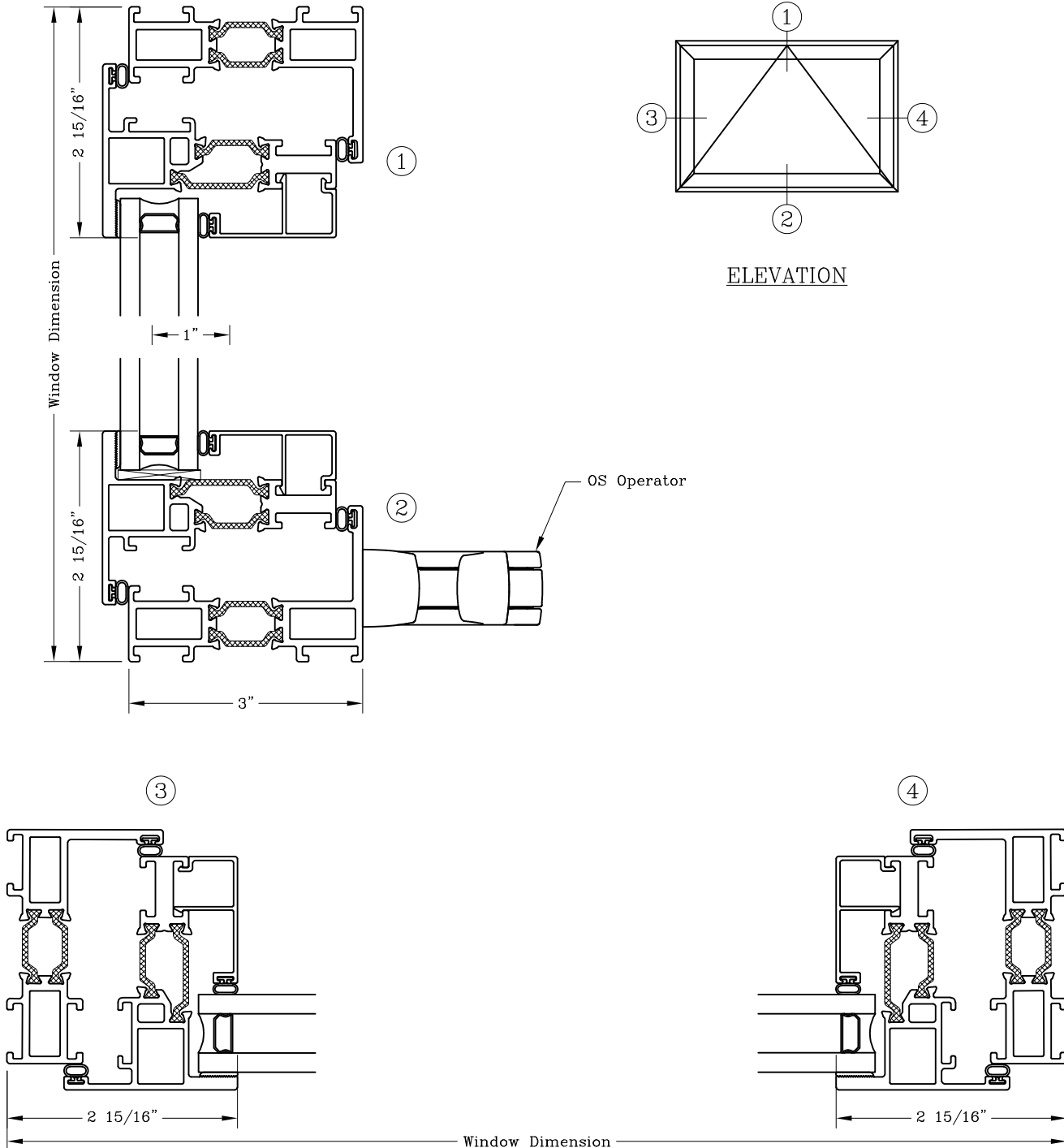
Projected - 3"  
 Equal Sightline  
 Outswing Awning

Series: GT6700

Manufacturing Code: GT6701F

Drawing 1/2 Scale - For Custom Size Drawing Contact Graham

Note: Sealant Not Shown On Details. Refer To General Installation Instructions.



Note: Dashed Lines Represent Inswing Vented Units Solid Lines Represent  
 Outswing Vented Units; Lines Converge At Hinge Side Of Vent  
 Graham Architectural Products reserves the right to change, add, cancel, remove or otherwise modify the details illustrated without prior notice.  
 1551 Mt. Rose Avenue, York, Pennsylvania 17403-2909 717.849.8100 Toll Free: 800/755-6274 0223 - GT67.01F  
 Web Site: www.grahamwindows.com

Projected - 3 1/4"

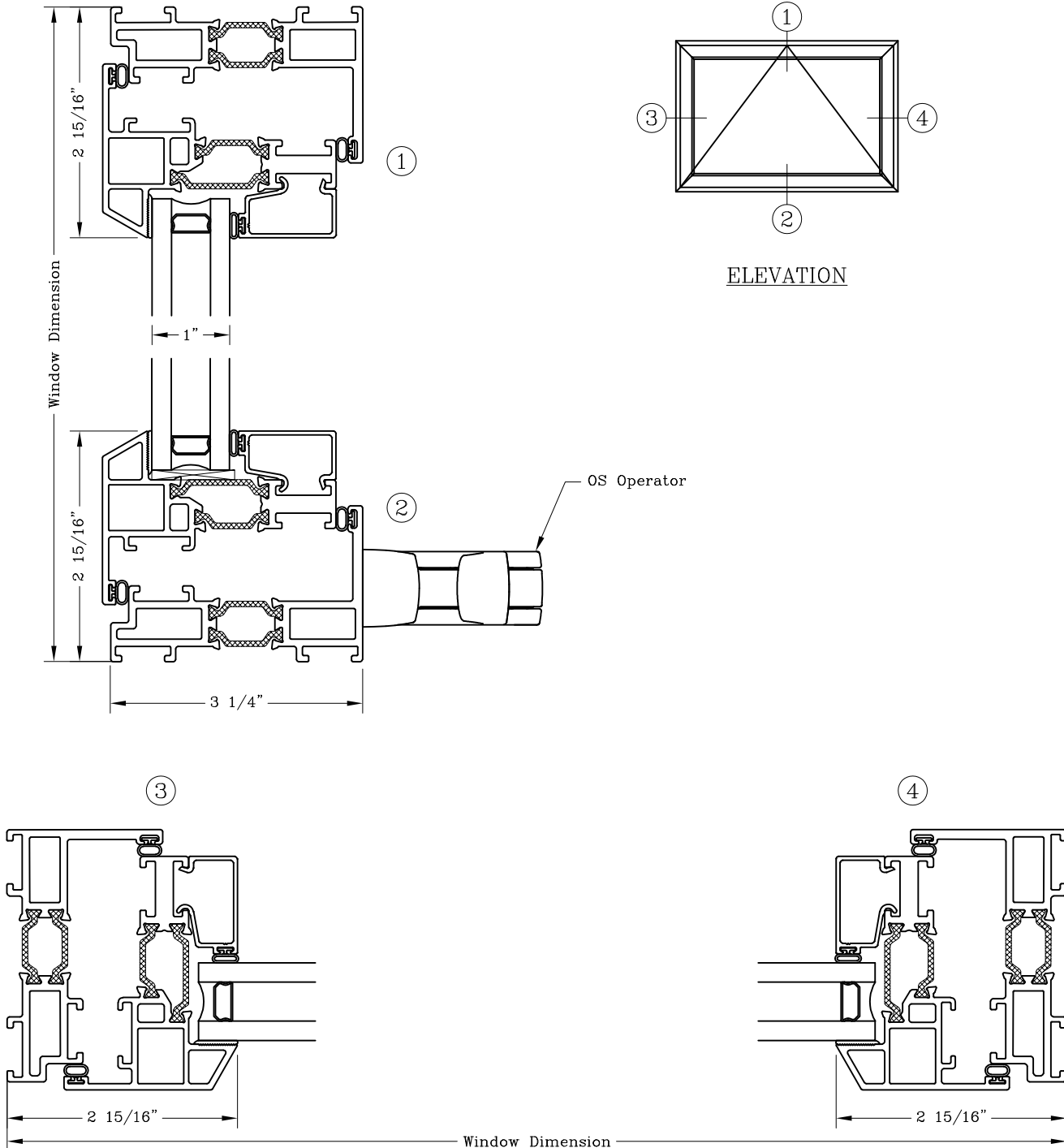
Equal Sightline

Outswing Awning - Flush Face

Series: GT6700FF Manufacturing Code: GT6701FFB

Drawing 1/2 Scale - For Custom Size Drawing Contact Graham

Note: Sealant Not Shown On Details. Refer To General Installation Instructions.



Note: Dashed Lines Represent Inswing Vented Units Solid Lines Represent Outswing Vented Units; Lines Converge At Hinge Side Of Vent

Graham Architectural Products reserves the right to change, add, cancel, remove or otherwise modify the details illustrated without prior notice.

1551 Mt. Rose Avenue, York, Pennsylvania 17403-2909 717.849.8100 Toll Free: 800/755-6274

0223 - GT67.01FFB

Web Site: www.grahamwindows.com

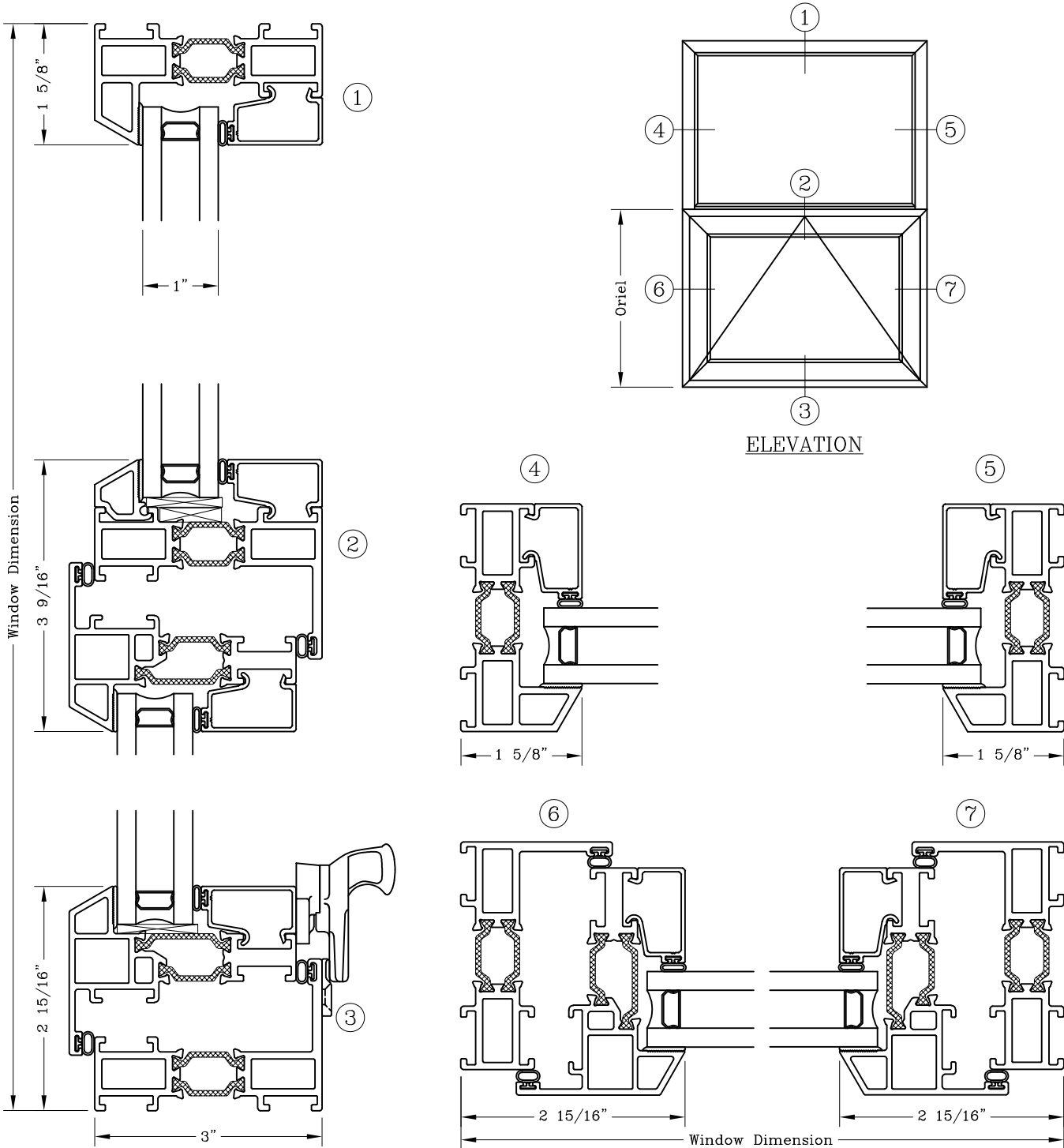
Projected – 3”  
 Narrow Sightline  
 Fixed Over Outswing

Series: GT6700

Manufacturing Code: GT6702B

Drawing 1/2 Scale – For Custom Size Drawing Contact Graham

Note: Sealant Not Shown On Details. Refer To General Installation Instructions.



Note: Dashed Lines Represent Inswing Vented Units Solid Lines Represent Outswing Vented Units; Lines Converge At Hinge Side Of Vent

Graham Architectural Products reserves the right to change, add, cancel, remove or otherwise modify the details illustrated without prior notice.

1551 Mt. Rose Avenue, York, Pennsylvania 17403-2909 717.849.8100 Toll Free: 800/755-6274

0223 – GT67.02B

Web Site: www.grahamwindows.com

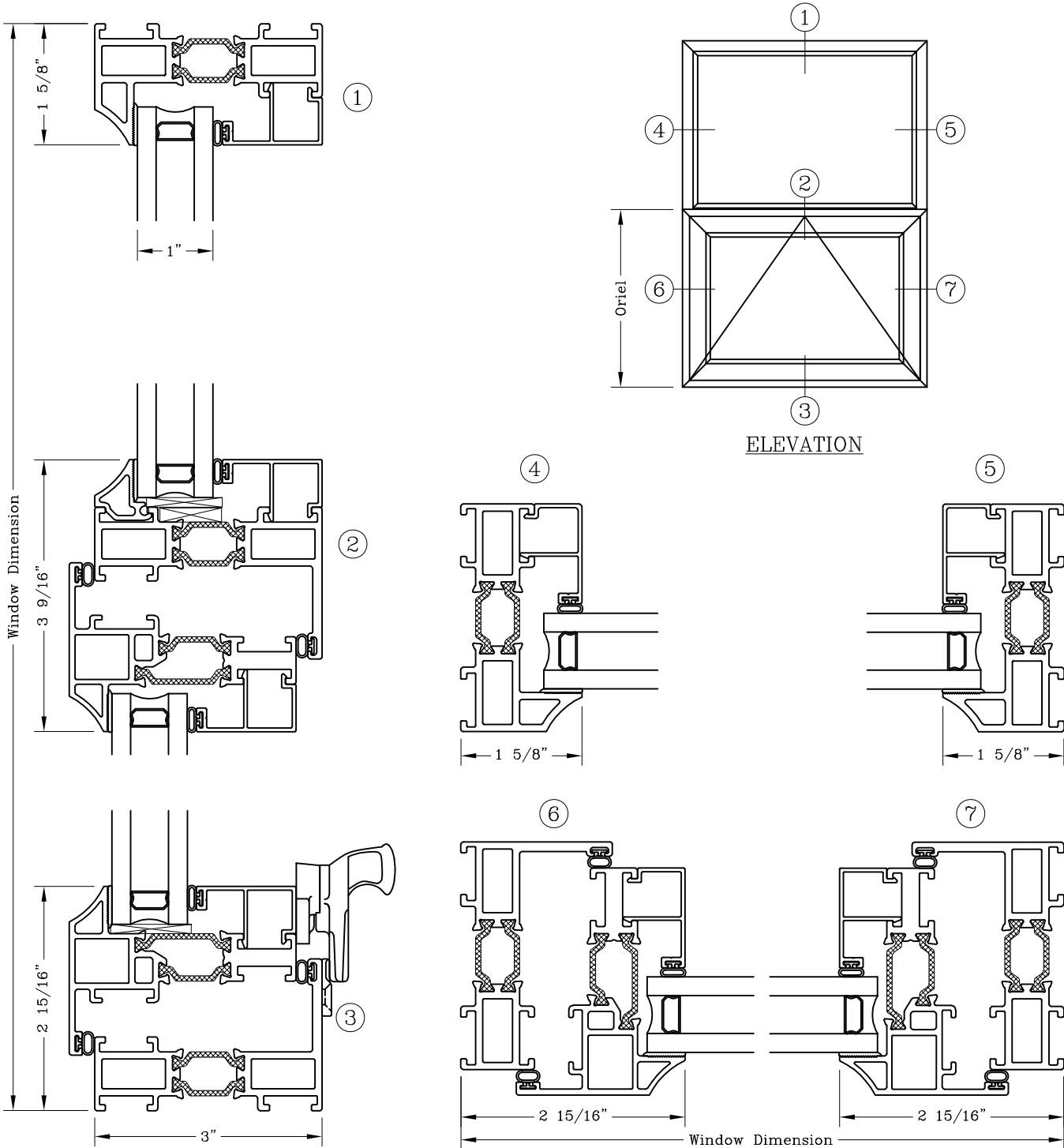
Projected – 3”  
 Narrow Sightline  
 Fixed Over Outswing

Series: GT6700

Manufacturing Code: GT6702C

Drawing 1/2 Scale – For Custom Size Drawing Contact Graham

Note: Sealant Not Shown On Details. Refer To General Installation Instructions.



Note: Dashed Lines Represent Inswing Vented Units Solid Lines Represent Outswing Vented Units; Lines Converge At Hinge Side Of Vent

Graham Architectural Products reserves the right to change, add, cancel, remove or otherwise modify the details illustrated without prior notice.

1551 Mt. Rose Avenue, York, Pennsylvania 17403-2909 717.849.8100 Toll Free: 800/755-6274

0223 – GT67.02C

Web Site: www.grahamwindows.com

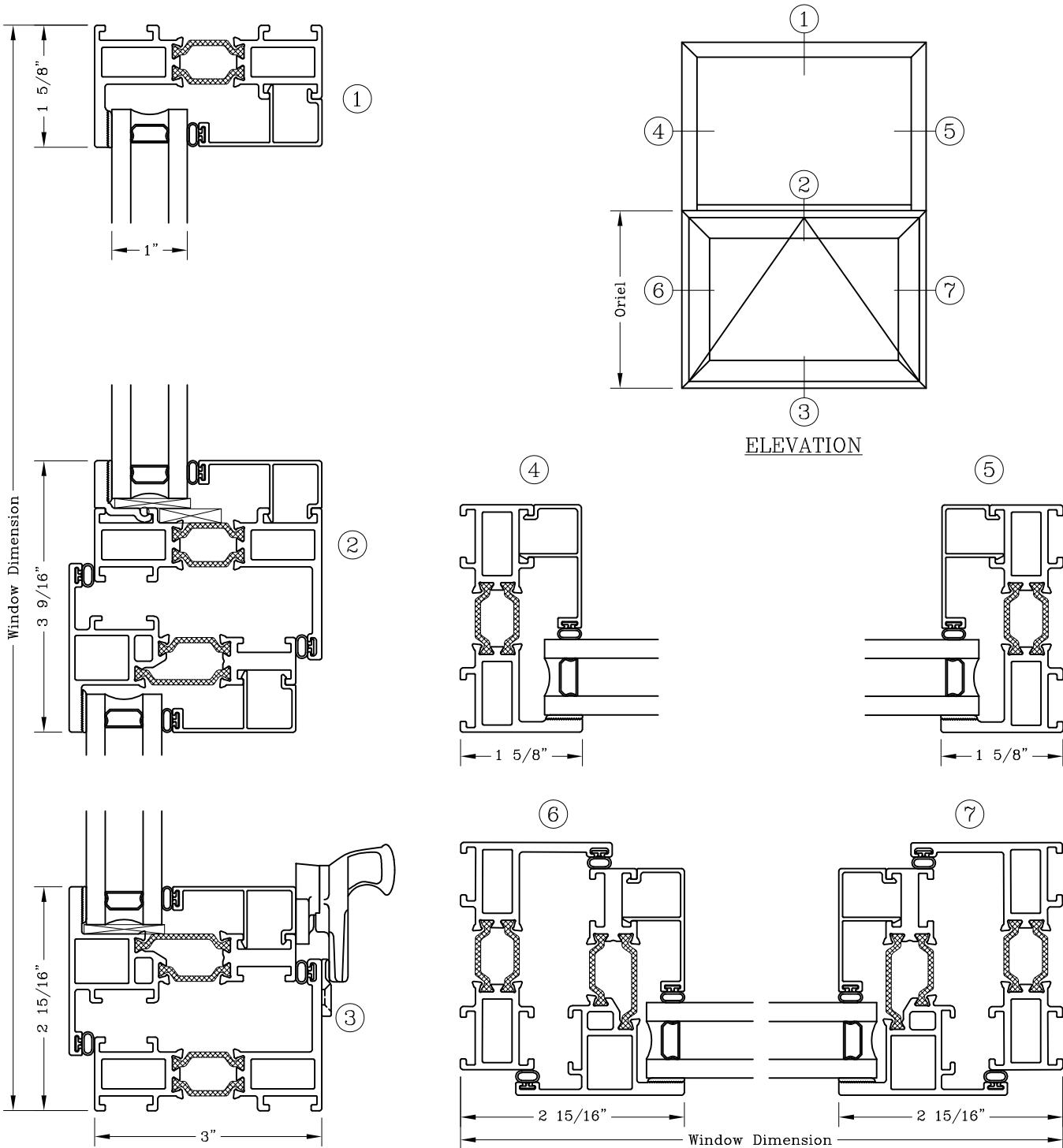
Projected – 3”  
 Narrow Sightline  
 Fixed Over Outswing



Series: GT6700 Manufacturing Code: GT6702F

Drawing 1/2 Scale – For Custom Size Drawing Contact Graham

Note: Sealant Not Shown On Details. Refer To General Installation Instructions.



Note: Dashed Lines Represent Inswing Vented Units Solid Lines Represent Outswing Vented Units; Lines Converge At Hinge Side Of Vent

Graham Architectural Products reserves the right to change, add, cancel, remove or otherwise modify the details illustrated without prior notice.

1551 Mt. Rose Avenue, York, Pennsylvania 17403-2909 717.849.8100 Toll Free: 800/755-6274

0223 – GT67.02F

Web Site: www.grahamwindows.com

Projected - 3 1/4"

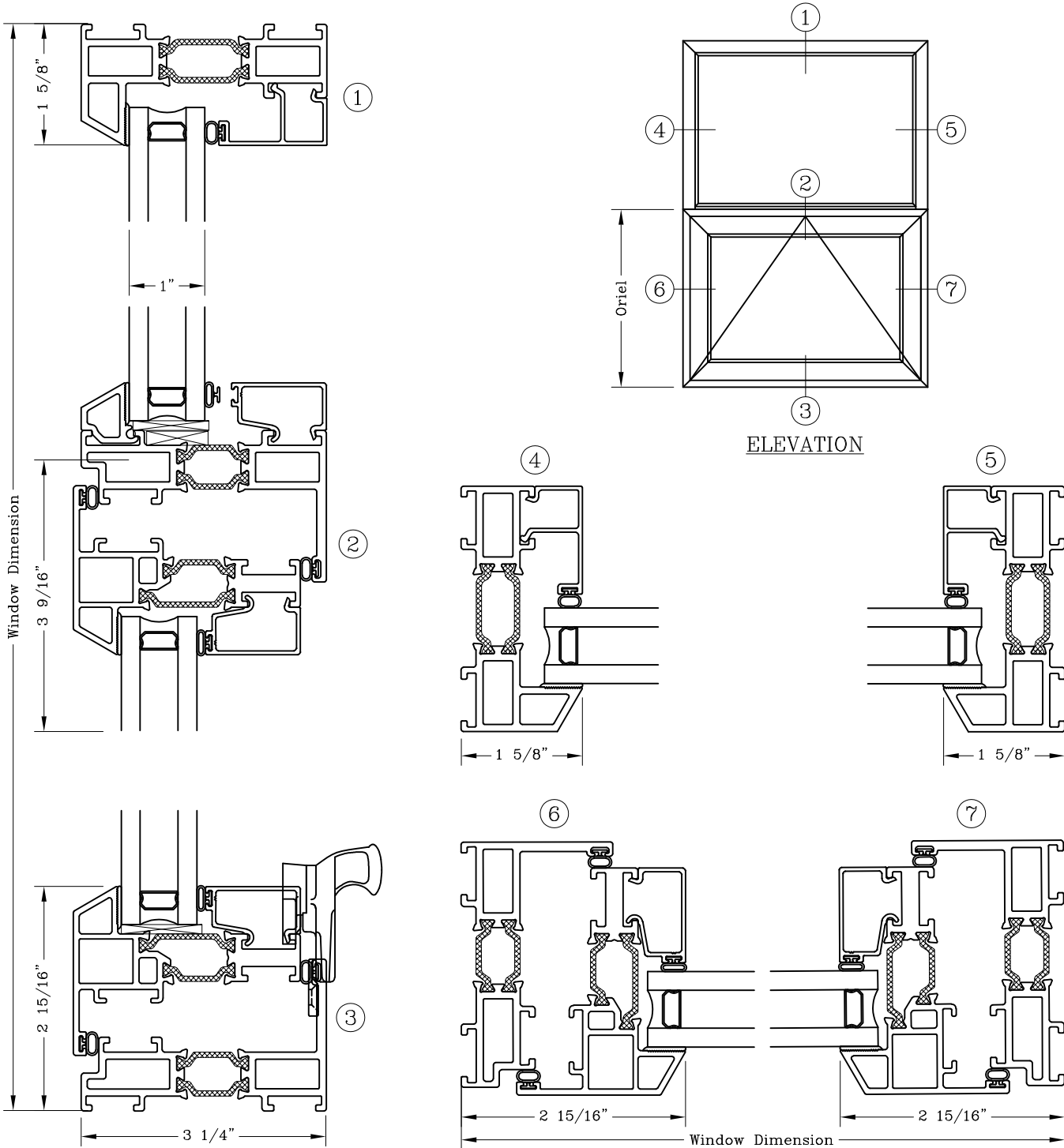
Narrow Sightline

Fixed Over Outswing - Flush Face

Series: GT6700FF Manufacturing Code: GT6702FFB

Drawing 1/2 Scale - For Custom Size Drawing Contact Graham

Note: Sealant Not Shown On Details. Refer To General Installation Instructions.



Note: Dashed Lines Represent Inswing Vented Units Solid Lines Represent Outswing Vented Units; Lines Converge At Hinge Side Of Vent

Graham Architectural Products reserves the right to change, add, cancel, remove or otherwise modify the details illustrated without prior notice.

1551 Mt. Rose Avenue, York, Pennsylvania 17403-2909 717.849.8100 Toll Free: 800/755-6274

0223 - GT67.02FFB

Web Site: [www.grahamwindows.com](http://www.grahamwindows.com)



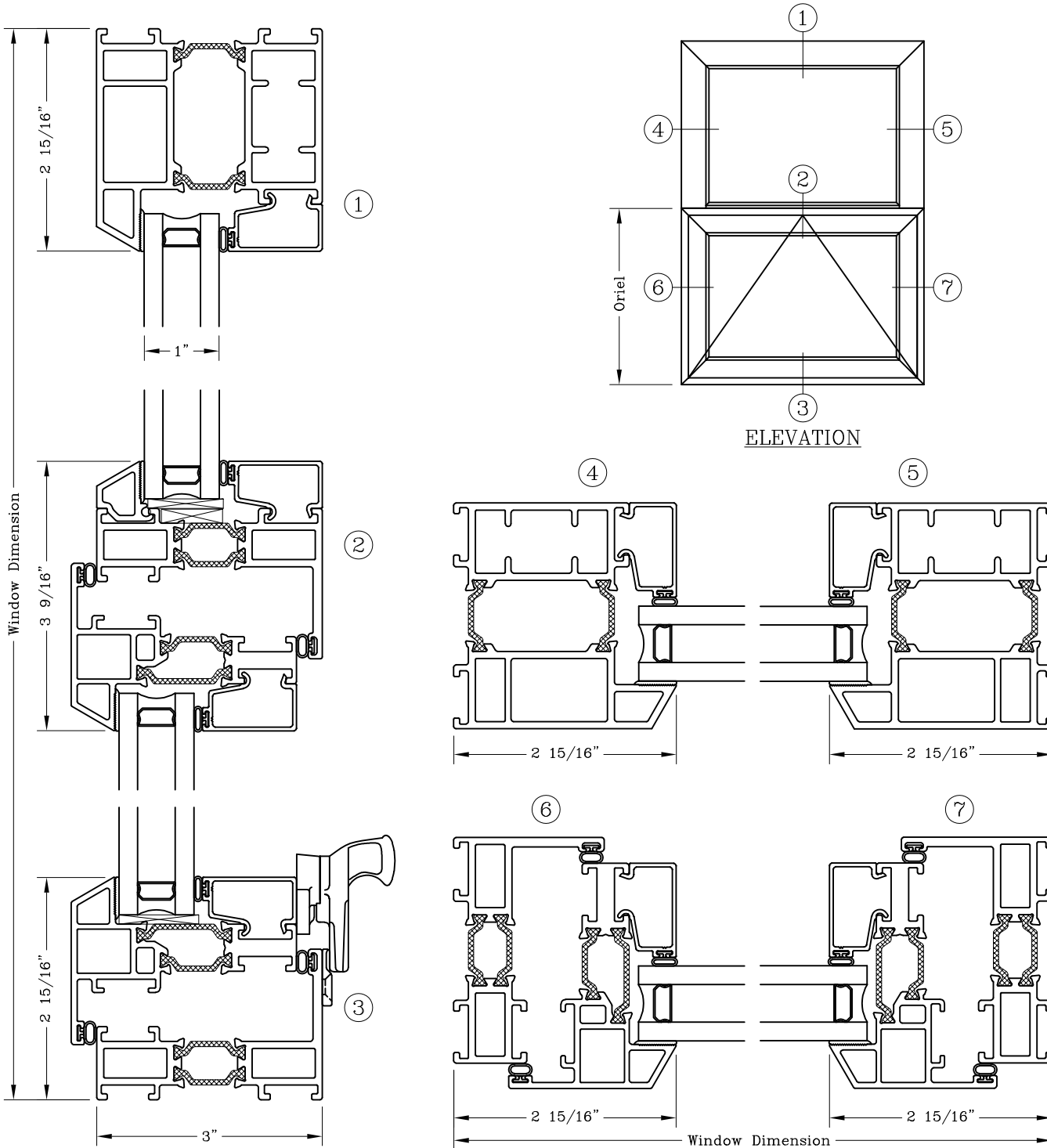
Projected - 3 1/4"  
 Equal Sightline  
 Fixed Over Outswing



Series: GT6700 Manufacturing Code: GT6703B

Drawing 1/2 Scale - For Custom Size Drawing Contact Graham

Note: Sealant Not Shown On Details. Refer To General Installation Instructions.



Note: Dashed Lines Represent Inswing Vented Units Solid Lines Represent  
 Outswing Vented Units; Lines Converge At Hinge Side Of Vent

Graham Architectural Products reserves the right to change, add, cancel, remove or otherwise modify the details illustrated without prior notice.

1551 Mt. Rose Avenue, York, Pennsylvania 17403-2909 717.849.8100 Toll Free: 800/755-6274

0223 - GT67.03B

Web Site: www.grahamwindows.com

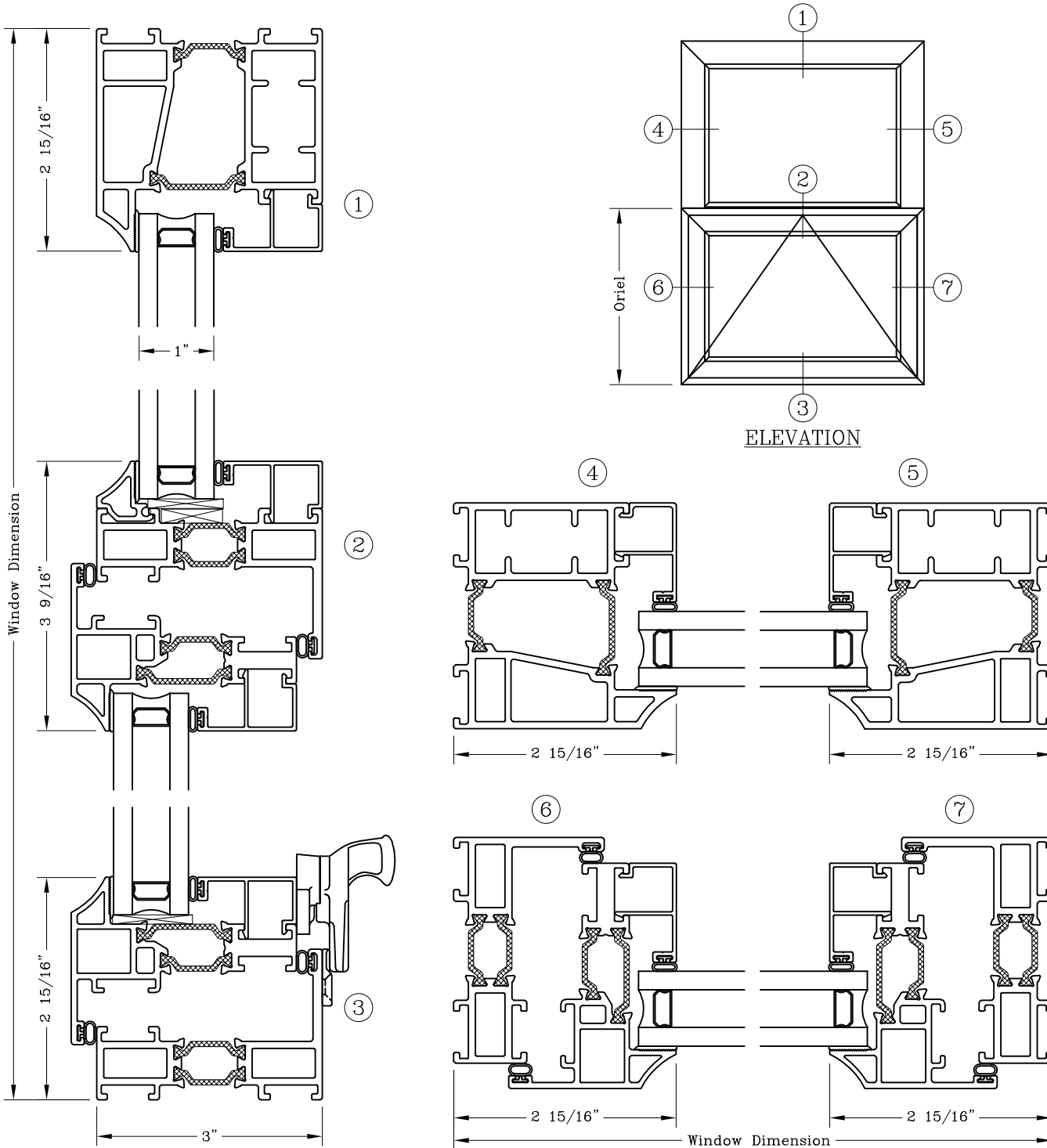
Projected - 3"  
 Equal Sightline  
 Fixed Over Outswing



Series: GT6700 Manufacturing Code: GT6703C

Drawing 1/2 Scale - For Custom Size Drawing Contact Graham

Note: Sealant Not Shown On Details. Refer To General Installation Instructions.



Note: Dashed Lines Represent Inswing Vented Units Solid Lines Represent Outswing Vented Units; Lines Converge At Hinge Side Of Vent

Graham Architectural Products reserves the right to change, add, cancel, remove or otherwise modify the details illustrated without prior notice.

1551 Mt. Rose Avenue, York, Pennsylvania 17403-2909 717.849.8100 Toll Free: 800/755-6274

0223 - GT67.03C

Web Site: www.grahamwindows.com

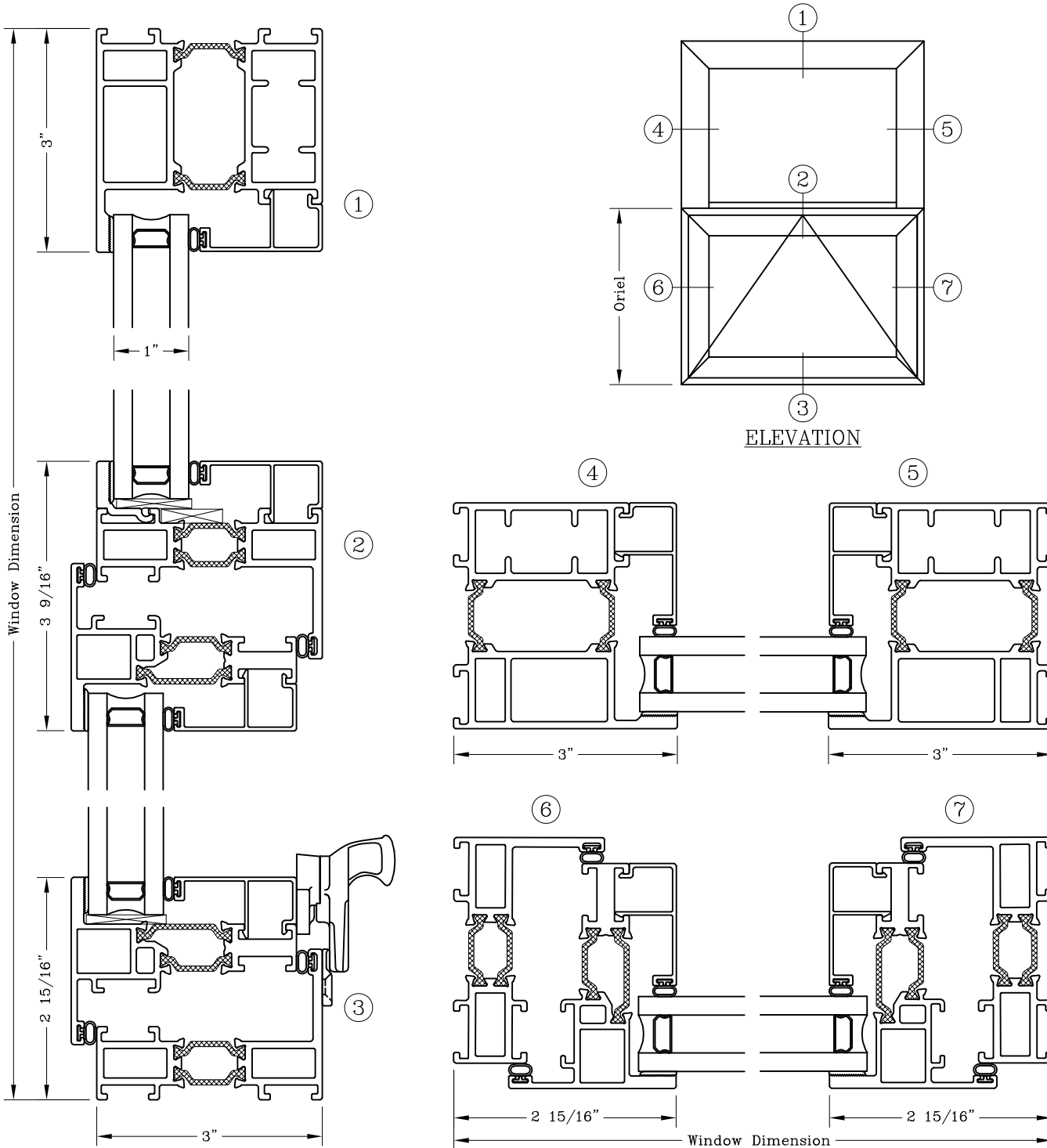
Projected - 3"  
 Equal Sightline  
 Fixed Over Outswing



Series: GT6700 Manufacturing Code: GT6703F

Drawing 1/2 Scale - For Custom Size Drawing Contact Graham

Note: Sealant Not Shown On Details. Refer To General Installation Instructions.



Note: Dashed Lines Represent Inswing Vented Units Solid Lines Represent  
 Outswing Vented Units; Lines Converge At Hinge Side Of Vent  
 Graham Architectural Products reserves the right to change, add, cancel, remove or otherwise modify the details illustrated without prior notice.  
 1551 Mt. Rose Avenue, York, Pennsylvania 17403-2909 717.849.8100 Toll Free: 800/755-6274 0223 - GT67.03F  
 Web Site: www.grahamwindows.com

Projected - 3 1/4"

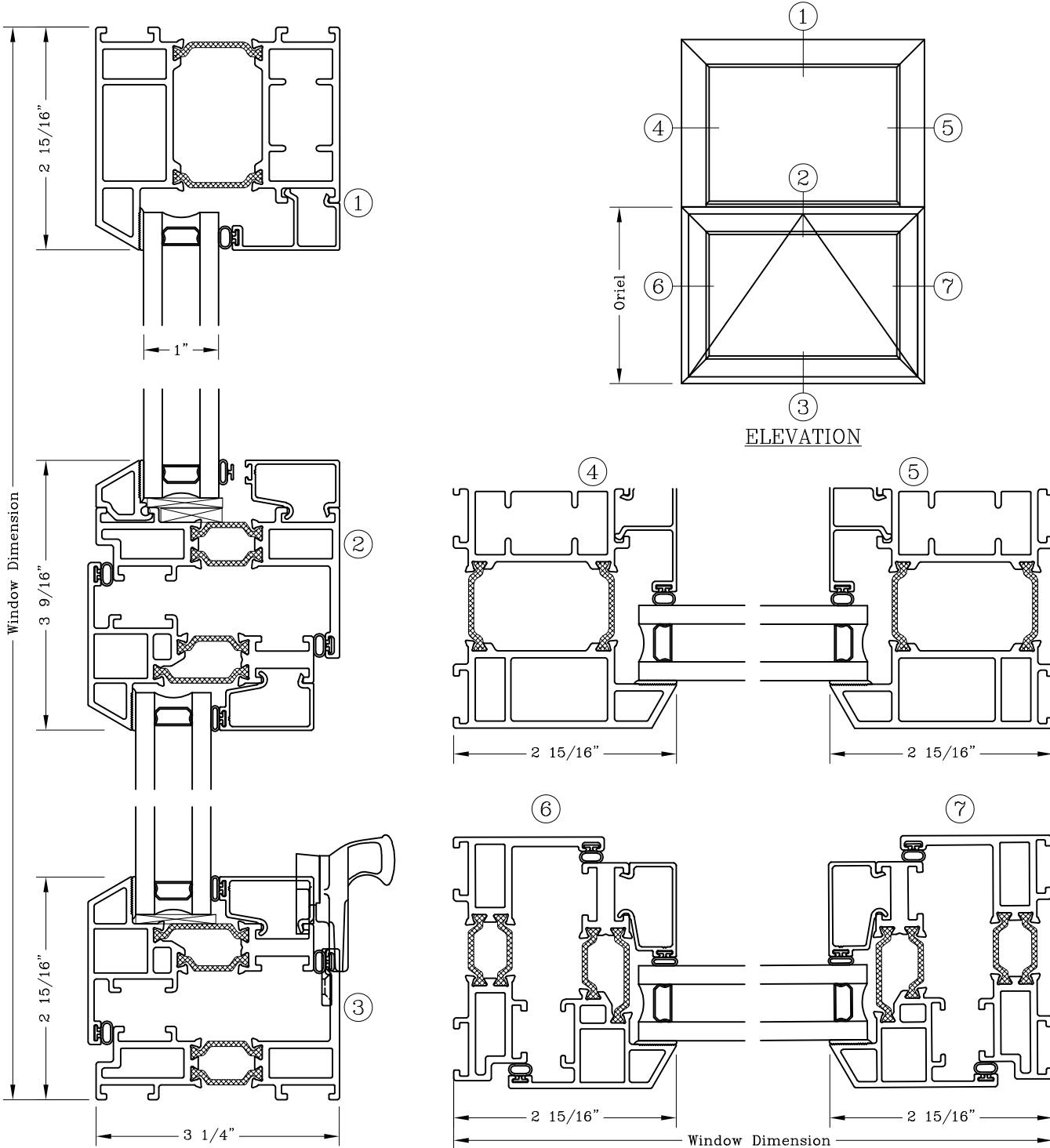
Equal Sightline

Fixed Over Outswing - Flush Face

Series: GT6700FF Manufacturing Code: GT6703FFB

Drawing 1/2 Scale - For Custom Size Drawing Contact Graham

Note: Sealant Not Shown On Details. Refer To General Installation Instructions.



Note: Dashed Lines Represent Inswing Vented Units Solid Lines Represent Outswing Vented Units; Lines Converge At Hinge Side Of Vent

Graham Architectural Products reserves the right to change, add, cancel, remove or otherwise modify the details illustrated without prior notice.

1551 Mt. Rose Avenue, York, Pennsylvania 17403-2909 717.849.8100 Toll Free: 800/755-6274

0223 - GT67.03FFB

Web Site: www.grahamwindows.com

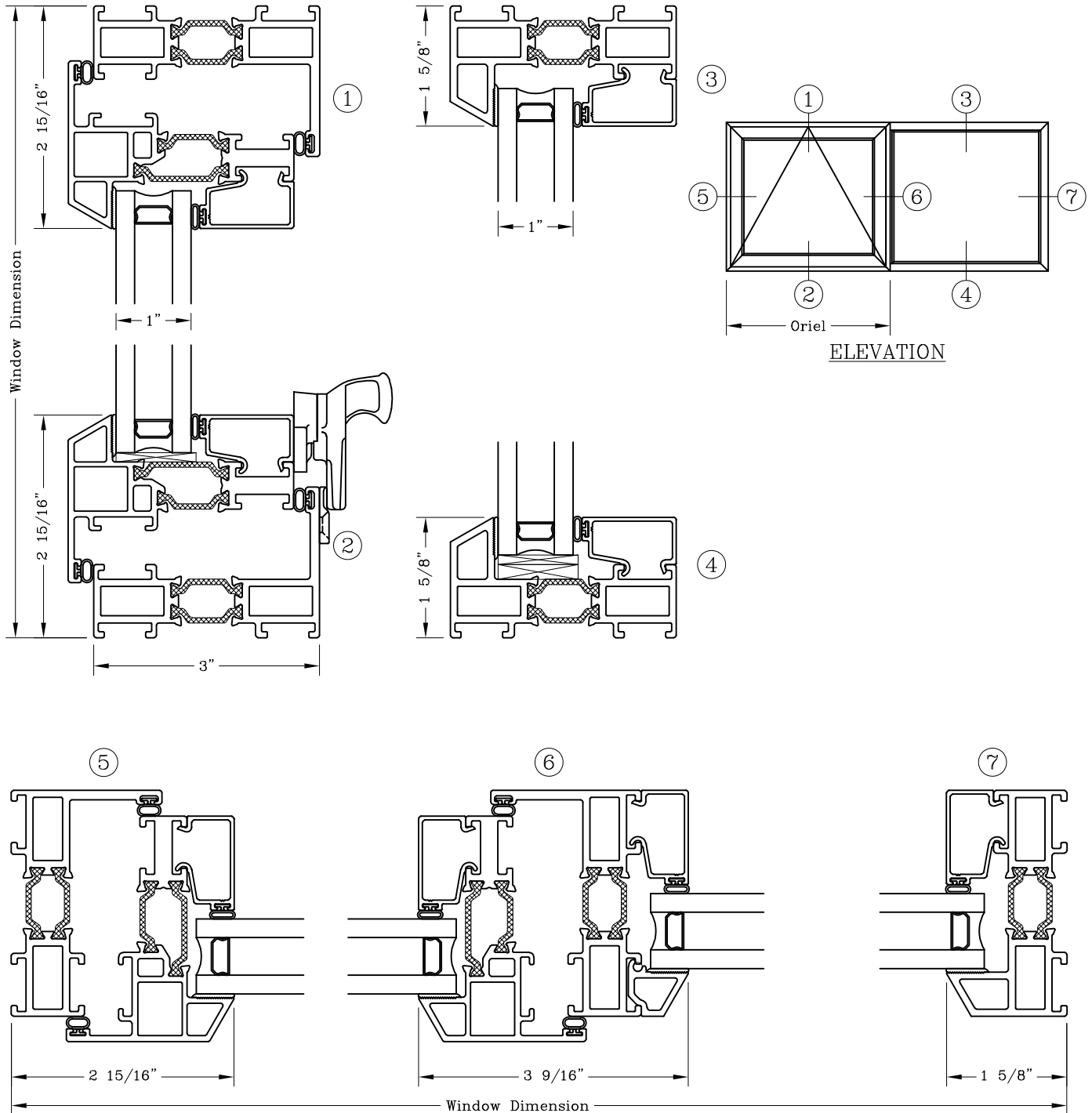
Projected – 3”  
Narrow Sightline  
Outswing Awning/Fixed

Series: GT6700

Manufacturing Code: GT6704B

Drawing 1/2 Scale – For Custom Size Drawing Contact Graham

Note: Sealant Not Shown On Details. Refer To General Installation Instructions.



Note: Dashed Lines Represent Inswing Vented Units Solid Lines Represent Outswing Vented Units; Lines Converge At Hinge Side Of Vent

Graham Architectural Products reserves the right to change, add, cancel, remove or otherwise modify the details illustrated without prior notice.

1551 Mt. Rose Avenue, York, Pennsylvania 17403-2909 717.849.8100 Toll Free: 800/755-6274

0223 – GT67.04B

Web Site: [www.grahamwindows.com](http://www.grahamwindows.com)

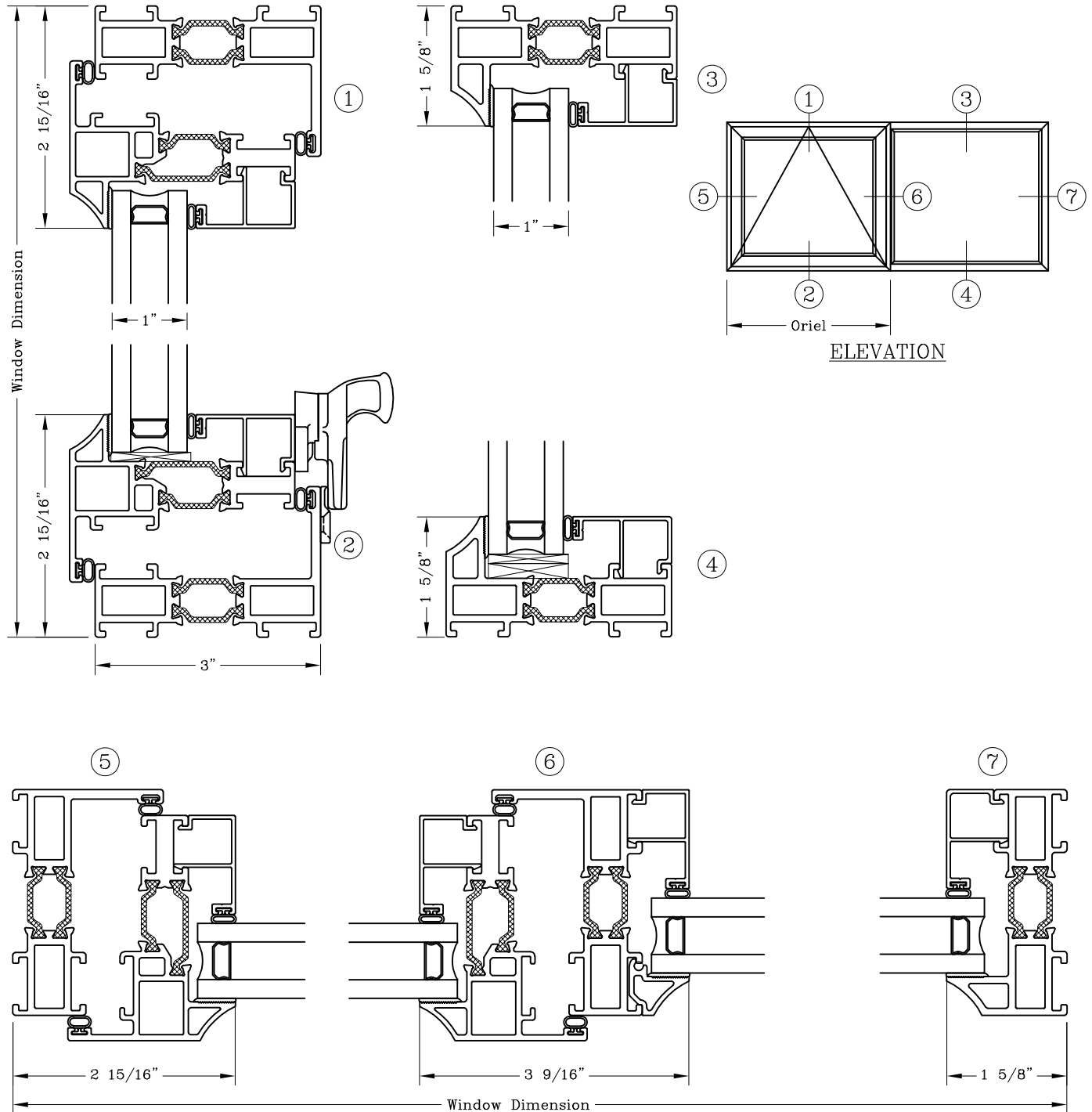
Projected – 3”  
 Narrow Sightline  
 Outswing Awning/Fixed



Series: GT6700 Manufacturing Code: GT6704C

Drawing 1/2 Scale – For Custom Size Drawing Contact Graham

Note: Sealant Not Shown On Details. Refer To General Installation Instructions.



Note: Dashed Lines Represent Inswing Vented Units Solid Lines Represent  
 Outswing Vented Units; Lines Converge At Hinge Side Of Vent

Graham Architectural Products reserves the right to change, add, cancel, remove or otherwise modify the details illustrated without prior notice.

1551 Mt. Rose Avenue, York, Pennsylvania 17403-2909 717.849.8100 Toll Free: 800/755-6274

0223 – GT67.04C

Web Site: [www.grahamwindows.com](http://www.grahamwindows.com)

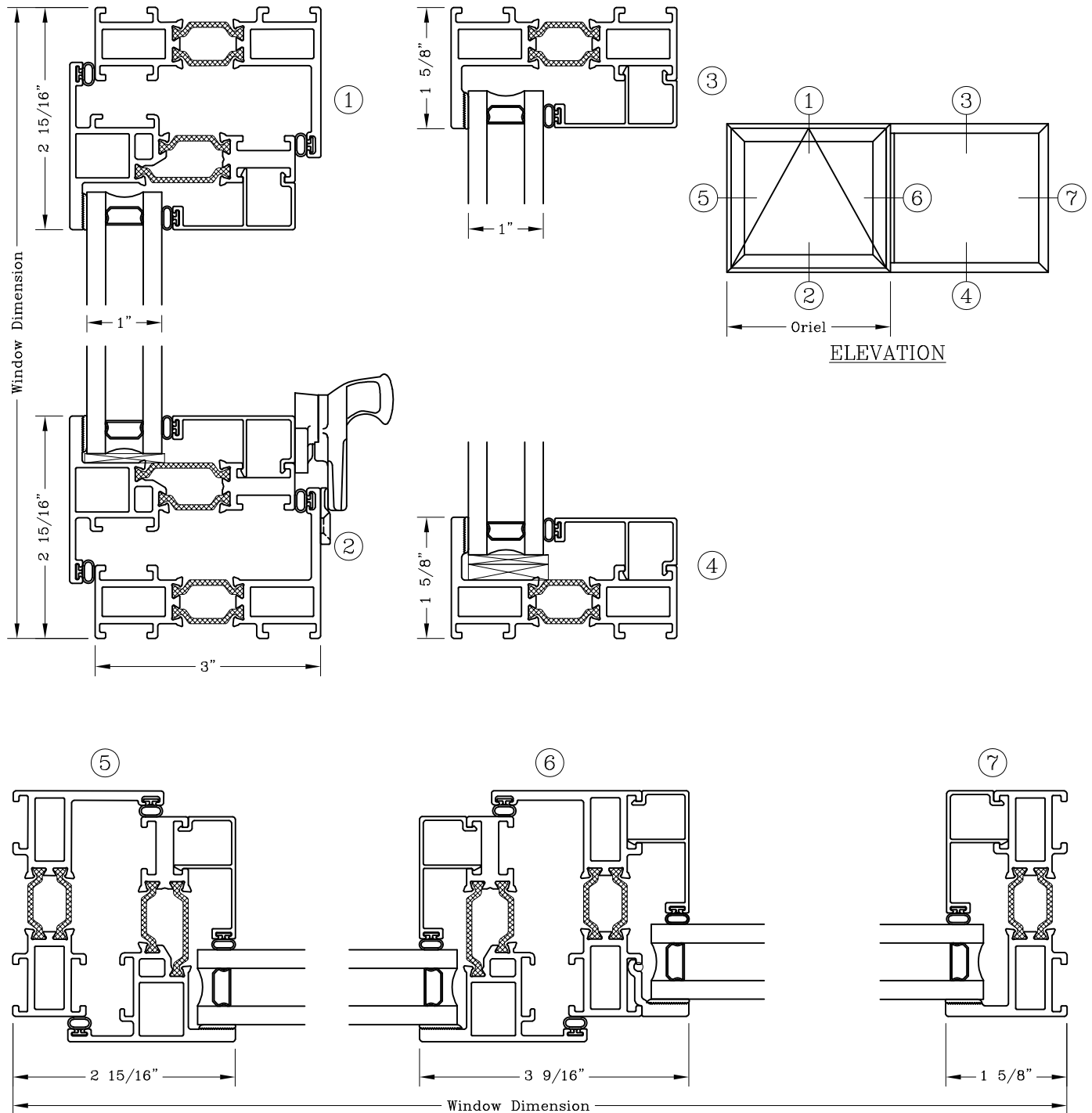
Projected – 3”  
Narrow Sightline  
Outswing Awning/Fixed



Series: GT6700 Manufacturing Code: GT6704F

Drawing 1/2 Scale – For Custom Size Drawing Contact Graham

Note: Sealant Not Shown On Details. Refer To General Installation Instructions.



Note: Dashed Lines Represent Inswing Vented Units Solid Lines Represent Outswing Vented Units; Lines Converge At Hinge Side Of Vent

Graham Architectural Products reserves the right to change, add, cancel, remove or otherwise modify the details illustrated without prior notice.

1551 Mt. Rose Avenue, York, Pennsylvania 17403-2909 717.849.8100 Toll Free: 800/755-6274

0223 – GT67.04F

Web Site: [www.grahamwindows.com](http://www.grahamwindows.com)

Projected - 3 1/4"

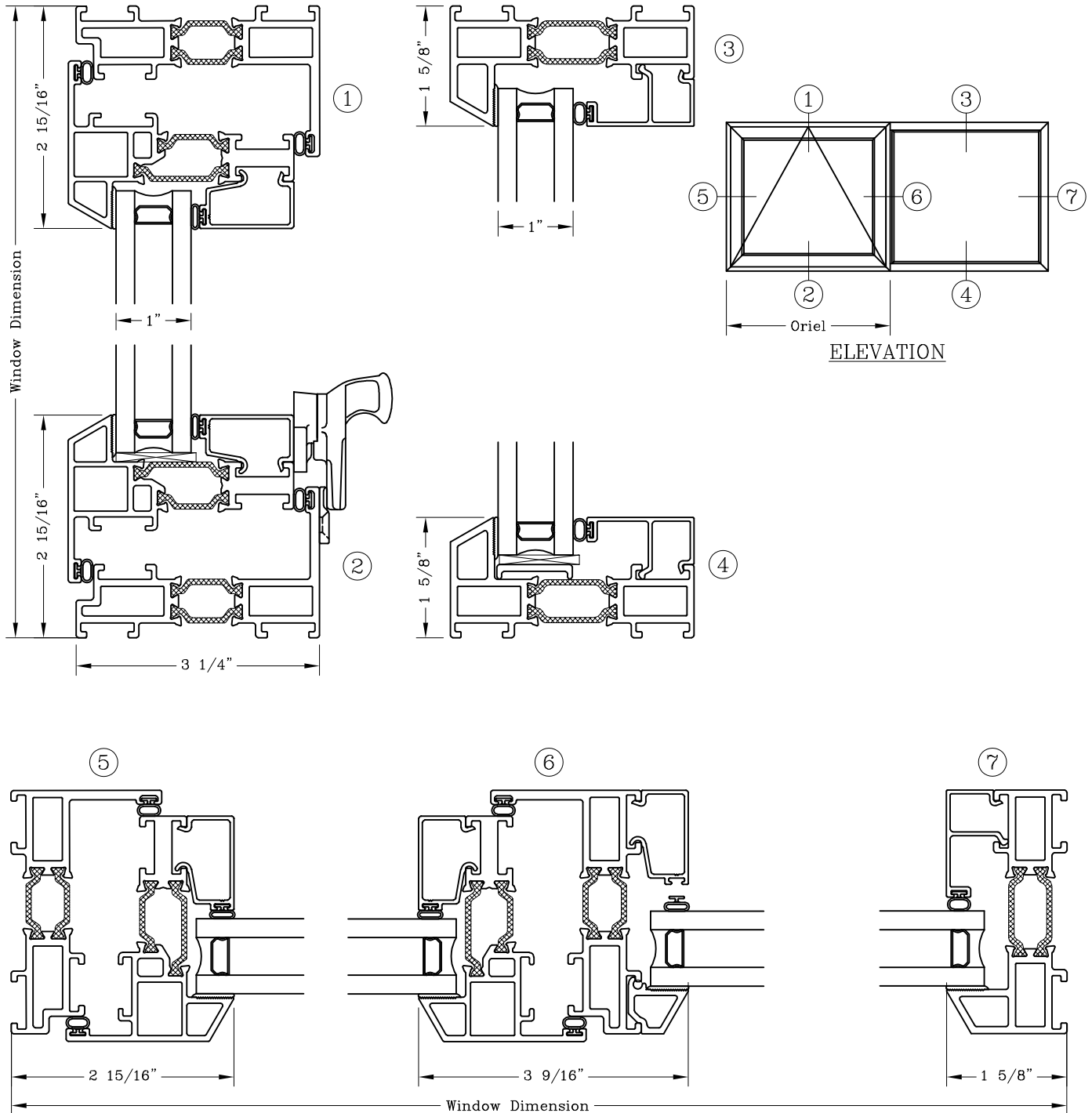
Narrow Sightline

Outswing Awning/Fixed - Flush Face

Series: GT6700FF Manufacturing Code: GT6704FFB

Drawing 1/2 Scale - For Custom Size Drawing Contact Graham

Note: Sealant Not Shown On Details. Refer To General Installation Instructions.



Note: Dashed Lines Represent Inswing Vented Units Solid Lines Represent Outswing Vented Units; Lines Converge At Hinge Side Of Vent

Graham Architectural Products reserves the right to change, add, cancel, remove or otherwise modify the details illustrated without prior notice.

1551 Mt. Rose Avenue, York, Pennsylvania 17403-2909 717.849.8100 Toll Free: 800/755-6274

0223 - GT67.04FFB

Web Site: www.grahamwindows.com



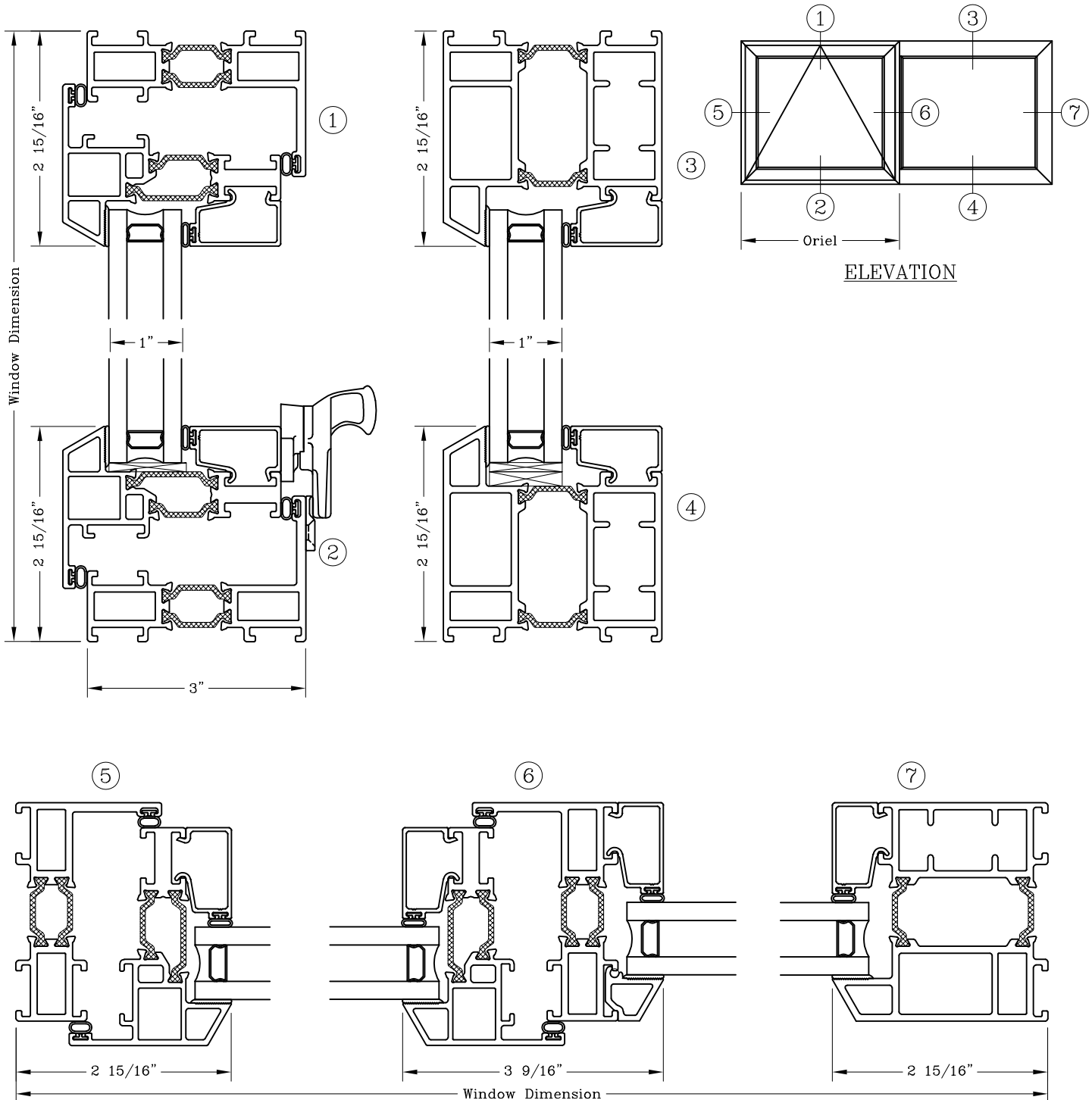
Projected - 3"  
 Equal Sightline  
 Outswing Awning/Fixed



Series: GT6700 Manufacturing Code: GT6705B

Drawing 1/2 Scale - For Custom Size Drawing Contact Graham

Note: Sealant Not Shown On Details. Refer To General Installation Instructions.



Note: Dashed Lines Represent Inswing Vented Units Solid Lines Represent Outswing Vented Units; Lines Converge At Hinge Side Of Vent

Graham Architectural Products reserves the right to change, add, cancel, remove or otherwise modify the details illustrated without prior notice.

1551 Mt. Rose Avenue, York, Pennsylvania 17403-2909 717.849.8100 Toll Free: 800/755-6274

0223 - GT67.05B

Web Site: www.grahamwindows.com

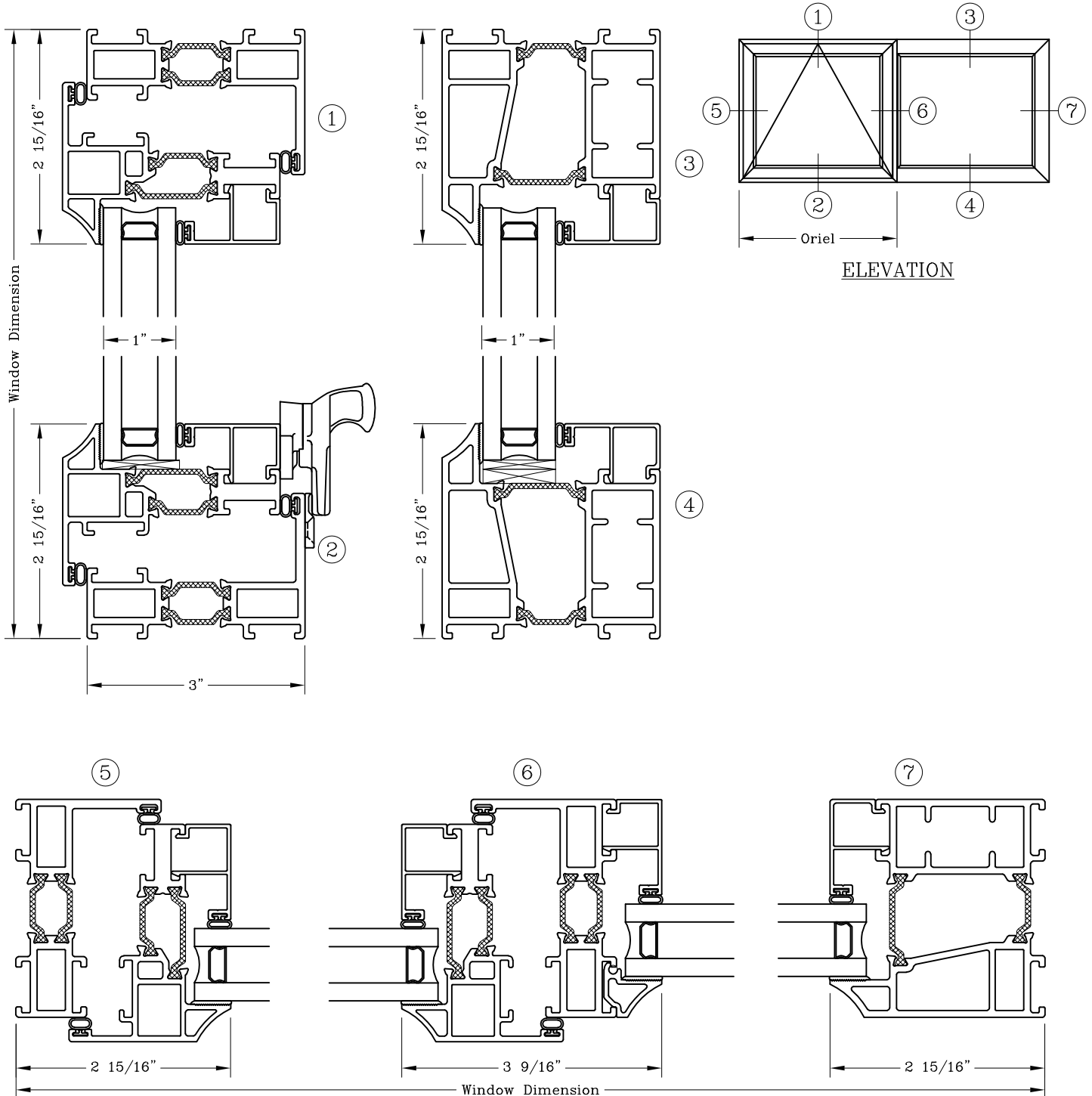
Projected - 3"  
 Equal Sightline  
 Outswing Awning/Fixed



Series: GT6700 Manufacturing Code: GT6705C

Drawing 1/2 Scale - For Custom Size Drawing Contact Graham

Note: Sealant Not Shown On Details. Refer To General Installation Instructions.



Note: Dashed Lines Represent Inswing Vented Units Solid Lines Represent  
 Outswing Vented Units; Lines Converge At Hinge Side Of Vent

Graham Architectural Products reserves the right to change, add, cancel, remove or otherwise modify the details illustrated without prior notice.

1551 Mt. Rose Avenue, York, Pennsylvania 17403-2909 717.849.8100 Toll Free: 800/755-6274

0223 - GT67.05C

Web Site: www.grahamwindows.com

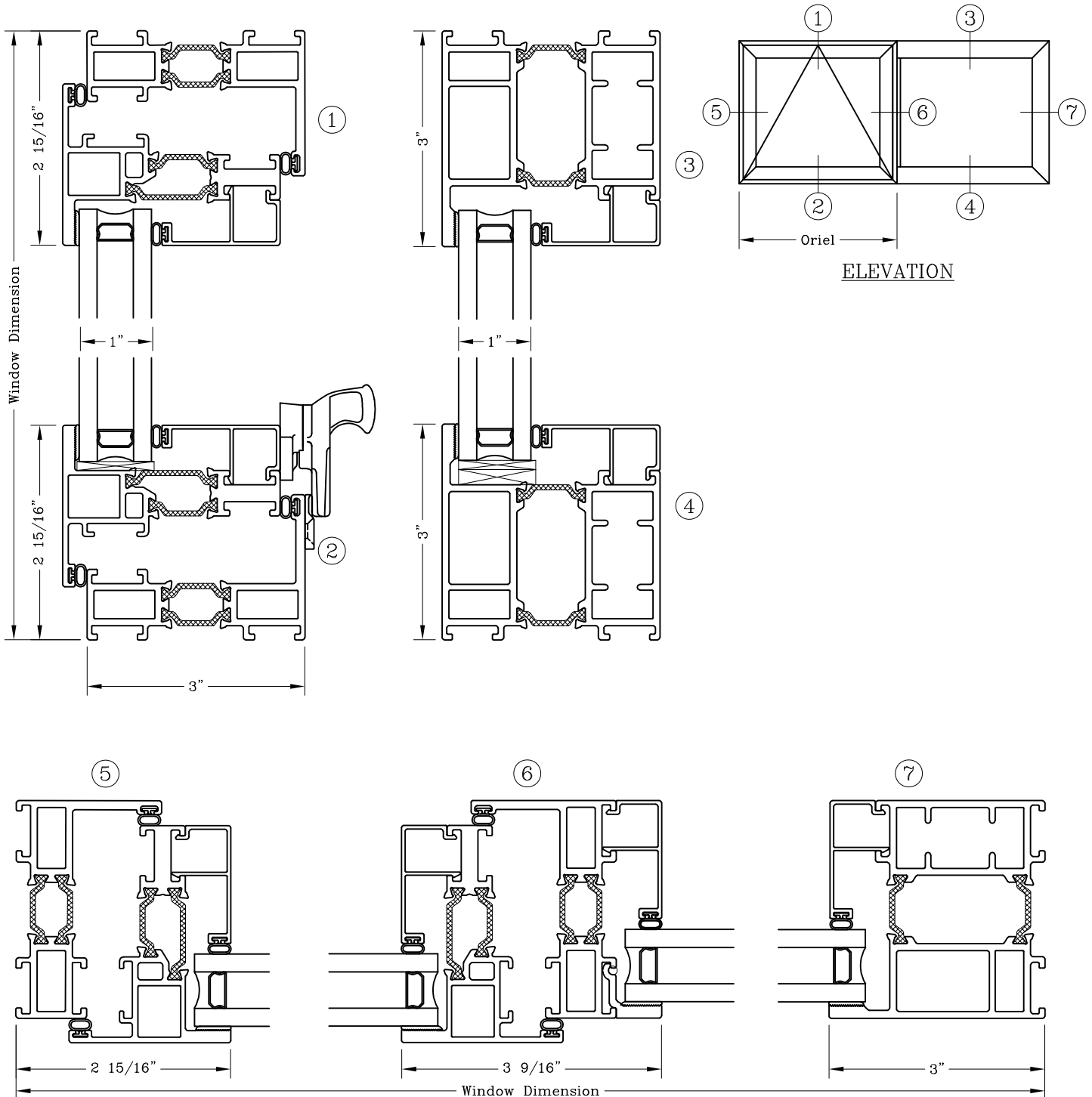
Projected - 3"  
 Equal Sightline  
 Outswing Awning/Fixed



Series: GT6700 Manufacturing Code: GT6705F

Drawing 1/2 Scale - For Custom Size Drawing Contact Graham

Note: Sealant Not Shown On Details. Refer To General Installation Instructions.



Note: Dashed Lines Represent Inswing Vented Units Solid Lines Represent Outswing Vented Units; Lines Converge At Hinge Side Of Vent

Graham Architectural Products reserves the right to change, add, cancel, remove or otherwise modify the details illustrated without prior notice.

1551 Mt. Rose Avenue, York, Pennsylvania 17403-2909 717.849.8100 Toll Free: 800/755-6274

0223 - GT67.05F

Web Site: [www.grahamwindows.com](http://www.grahamwindows.com)

Projected - 3 1/4"

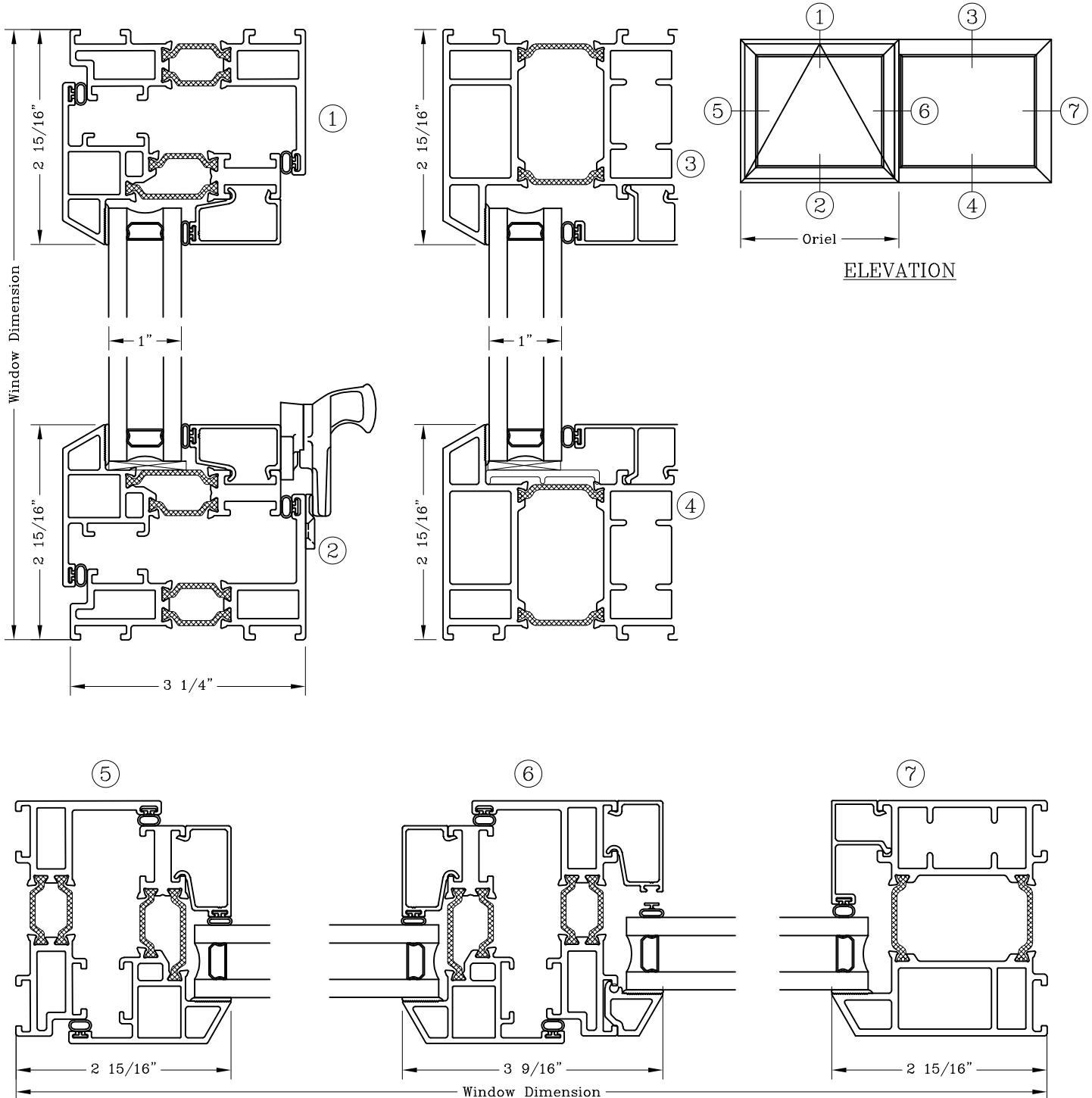
Equal Sightline

Outswing Awning/Fixed - Flush Face

Series: GT6700FF Manufacturing Code: GT6705FFB

Drawing 1/2 Scale - For Custom Size Drawing Contact Graham

Note: Sealant Not Shown On Details. Refer To General Installation Instructions.



Note: Dashed Lines Represent Inswing Vented Units Solid Lines Represent Outswing Vented Units; Lines Converge At Hinge Side Of Vent

Graham Architectural Products reserves the right to change, add, cancel, remove or otherwise modify the details illustrated without prior notice.

1551 Mt. Rose Avenue, York, Pennsylvania 17403-2909 717.849.8100 Toll Free: 800/755-6274

0223 - GT67.05FFB

Web Site: www.grahamwindows.com

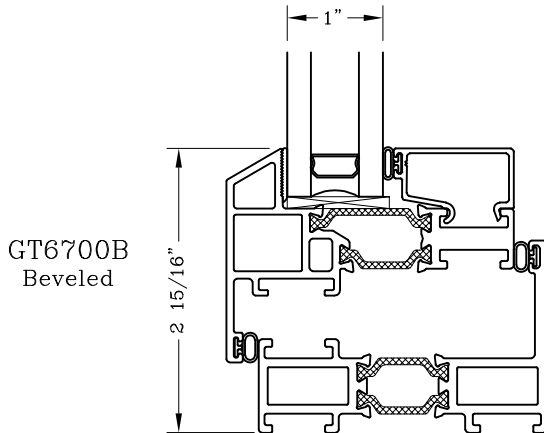
# Profile And Frame Options 3" Frame



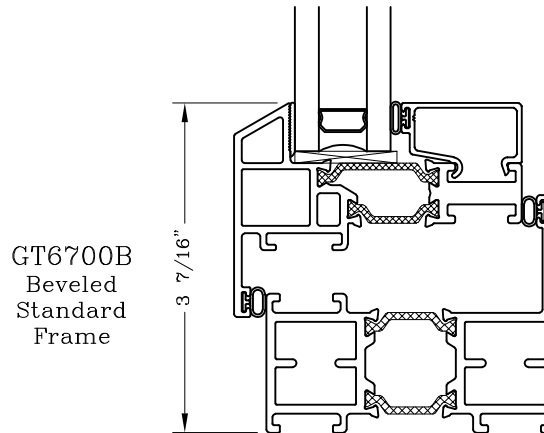
Series: GT6700 Manufacturing Code: GT6713B

Drawing 1/2 Scale – For Custom Size Drawing Contact Graham

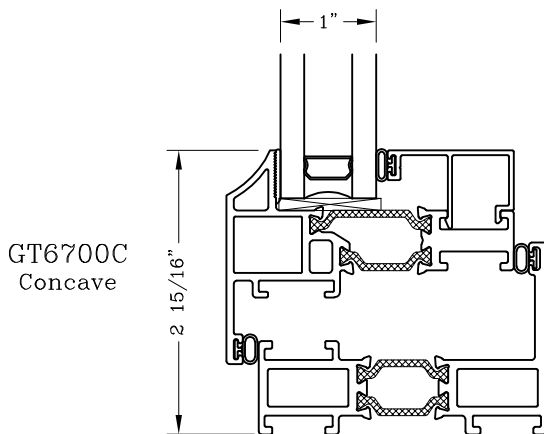
Note: Sealant Not Shown On Details. Refer To General Installation Instructions.



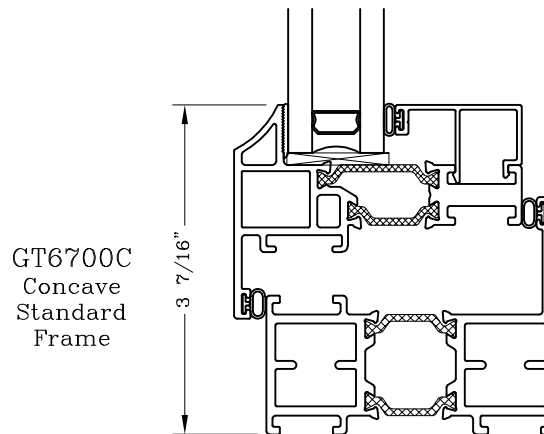
GT6700B  
Beveled



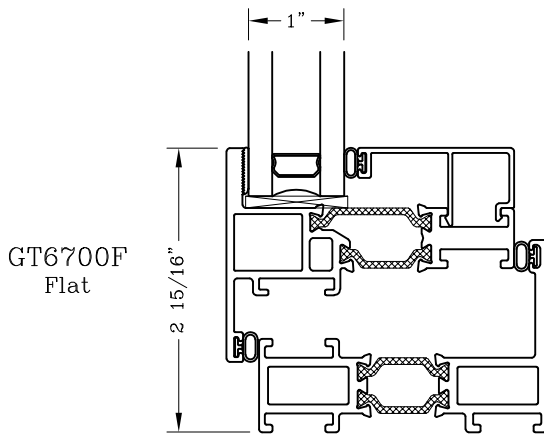
GT6700B  
Beveled  
Standard  
Frame



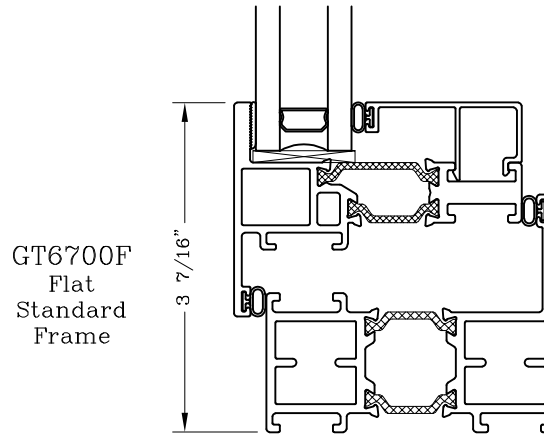
GT6700C  
Concave



GT6700C  
Concave  
Standard  
Frame



GT6700F  
Flat



GT6700F  
Flat  
Standard  
Frame

Note: Dashed Lines Represent Inswing Vented Units Solid Lines Represent  
Outswing Vented Units; Lines Converge At Hinge Side Of Vent

Graham Architectural Products reserves the right to change, add, cancel, remove or otherwise modify the details illustrated without prior notice.

1551 Mt. Rose Avenue, York, Pennsylvania 17403-2909 717.849.8100 Toll Free: 800/755-6274

0223 – GT67.13B

Web Site: [www.grahamwindows.com](http://www.grahamwindows.com)

# Exterior Profile Options

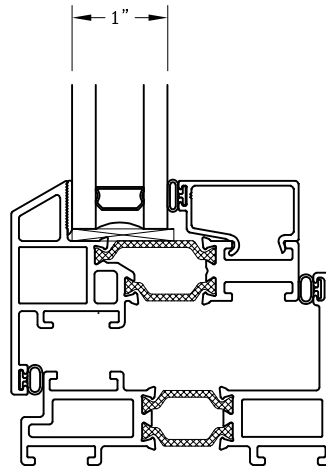
3 1/4"

Flush Face

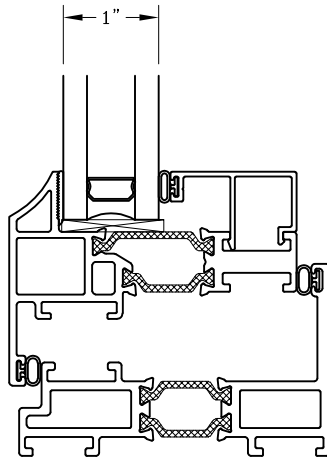
Series: GT6700FF Manufacturing Code: GT6713FFB

Drawing 1/2 Scale - For Custom Size Drawing Contact Graham

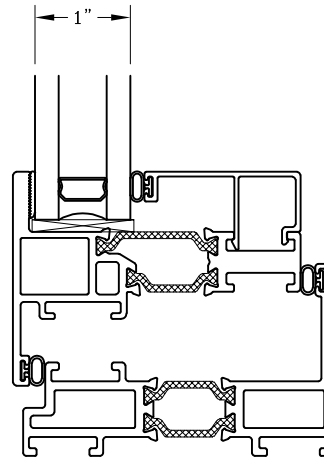
Note: Sealant Not Shown On Details. Refer To General Installation Instructions.



GT6700FFB  
Beveled



GT6700FFC  
Concave



GT6700FFF  
Flat

Note: Dashed Lines Represent Inswing Vented Units Solid Lines Represent  
Outswing Vented Units; Lines Converge At Hinge Side Of Vent

Graham Architectural Products reserves the right to change, add, cancel, remove or otherwise modify the details illustrated without prior notice.

1551 Mt. Rose Avenue, York, Pennsylvania 17403-2909 717.849.8100 Toll Free: 800/755-6274

0223 - GT67.13FFB

Web Site: [www.grahamwindows.com](http://www.grahamwindows.com)

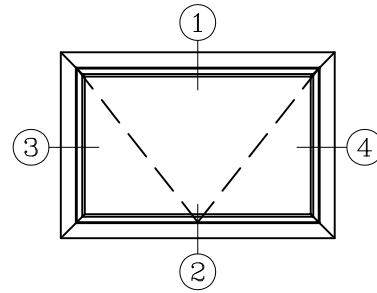
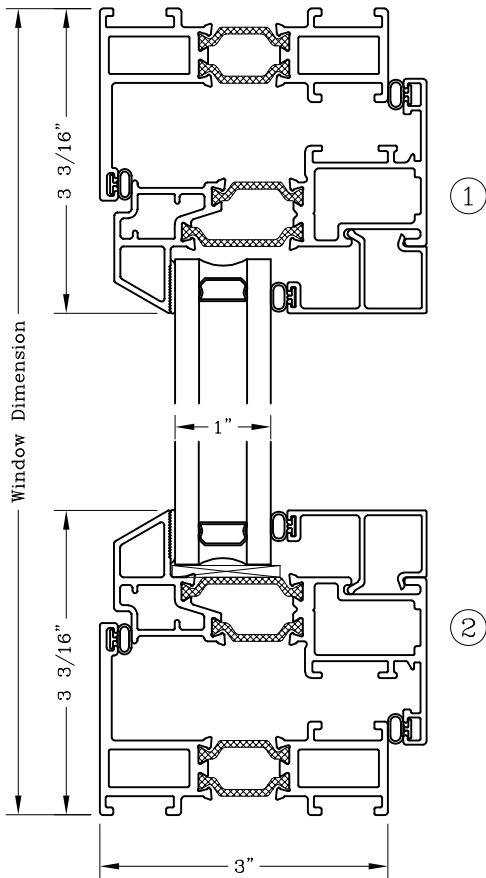
Projected - 3"  
 Equal Sightline  
 Inswing Projected



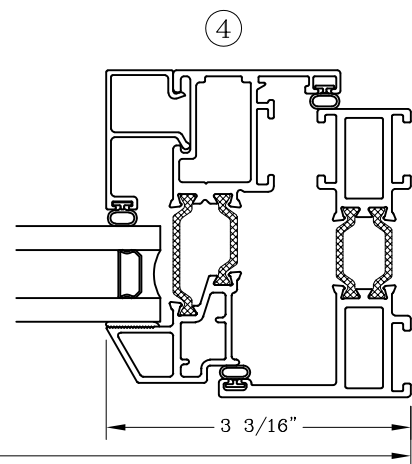
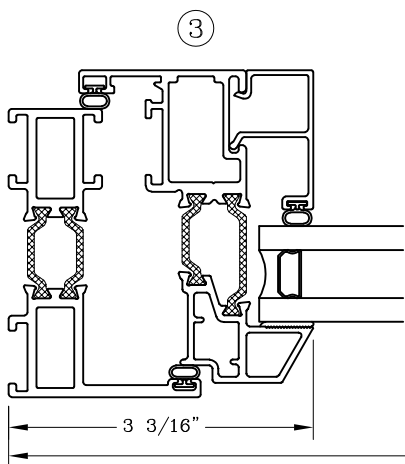
Series: GT6700 Manufacturing Code: GT6721B

Drawing 1/2 Scale - For Custom Size Drawing Contact Graham

Note: Sealant Not Shown On Details. Refer To General Installation Instructions.



ELEVATION



Window Dimension

Note: Dashed Lines Represent Inswing Vented Units Solid Lines Represent  
 Outswing Vented Units; Lines Converge At Hinge Side Of Vent

Graham Architectural Products reserves the right to change, add, cancel, remove or otherwise modify the details illustrated without prior notice.

1551 Mt. Rose Avenue, York, Pennsylvania 17403-2909 717.849.8100 Toll Free: 800/755-6274

0223 - GT67.21B

Web Site: www.grahamwindows.com

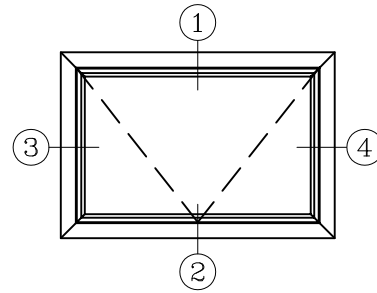
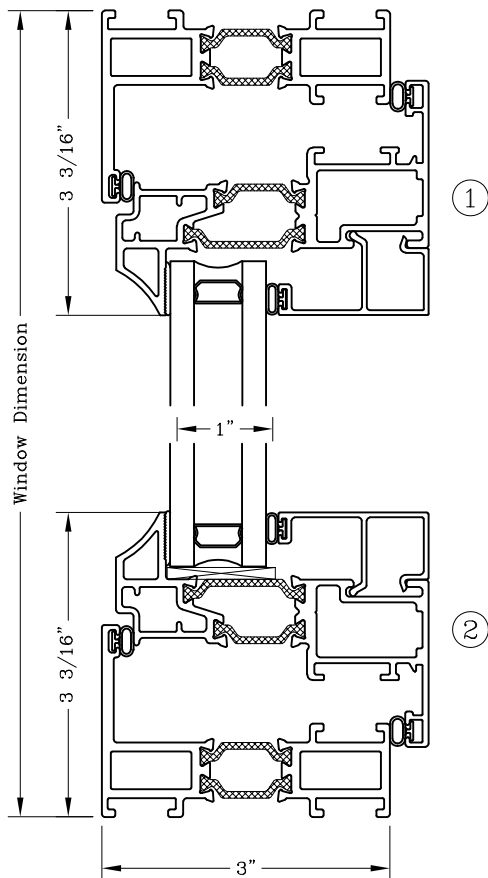
Projected - 3"  
 Equal Sightline  
 Inswing Projected



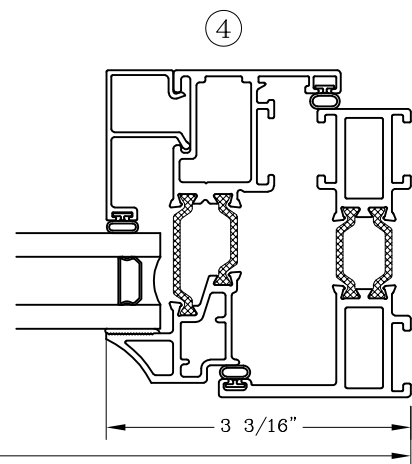
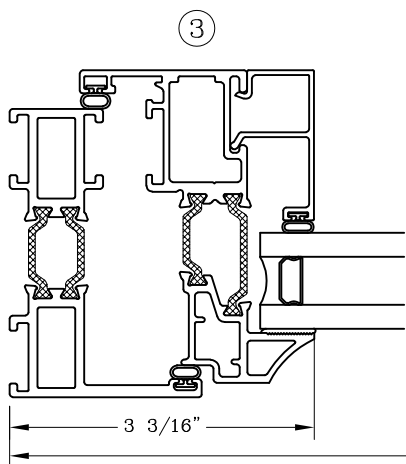
Series: GT6700 Manufacturing Code: GT6721C

Drawing 1/2 Scale - For Custom Size Drawing Contact Graham

Note: Sealant Not Shown On Details. Refer To General Installation Instructions.



ELEVATION



Window Dimension

Note: Dashed Lines Represent Inswing Vented Units Solid Lines Represent Outswing Vented Units; Lines Converge At Hinge Side Of Vent

Graham Architectural Products reserves the right to change, add, cancel, remove or otherwise modify the details illustrated without prior notice.

1551 Mt. Rose Avenue, York, Pennsylvania 17403-2909 717.849.8100 Toll Free: 800/755-6274

0223 - GT67.21C

Web Site: www.grahamwindows.com



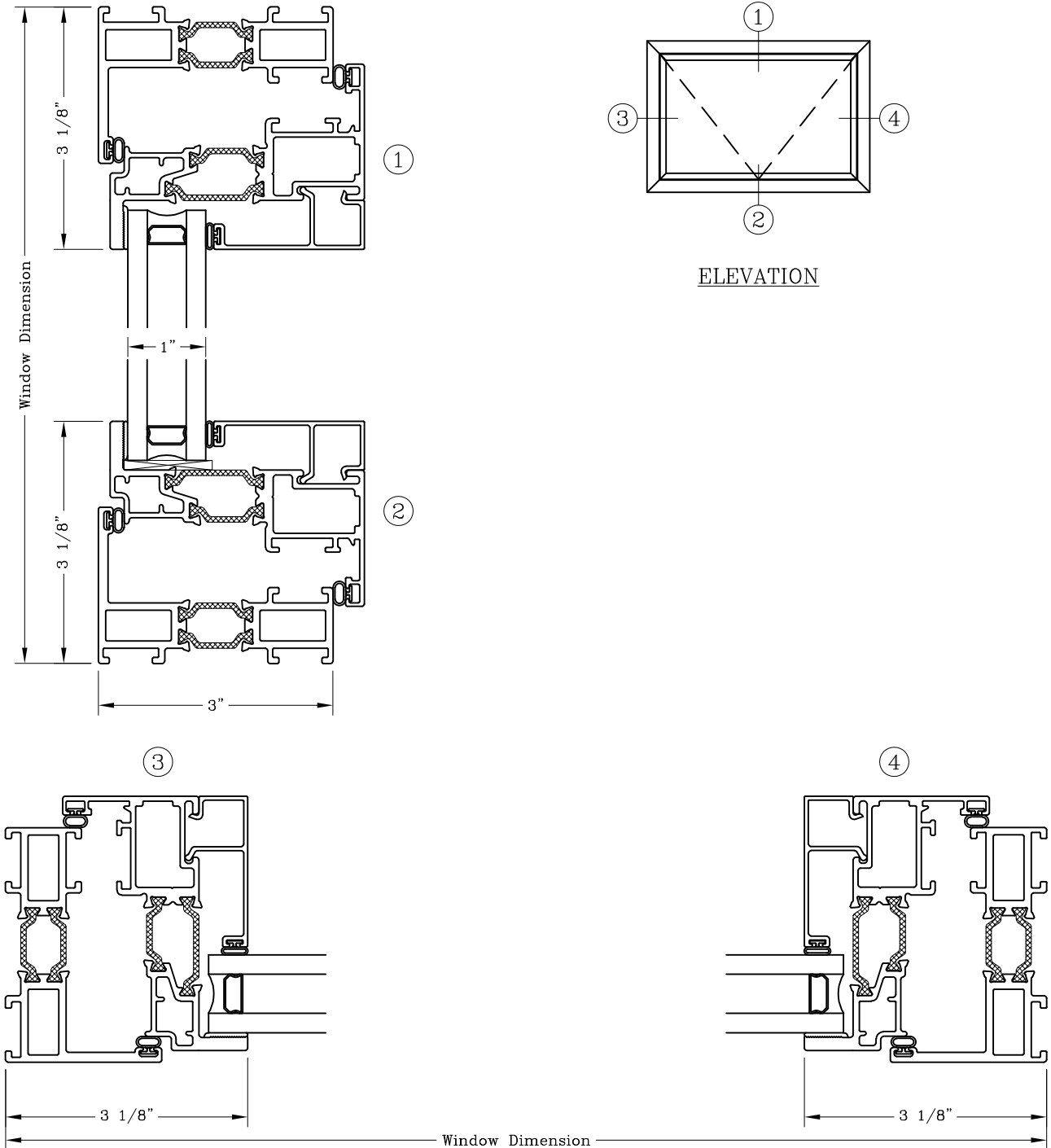
Projected - 3"  
 Equal Sightline  
 Inswing Projected

Series: GT6700

Manufacturing Code: GT6721F

Drawing 1/2 Scale - For Custom Size Drawing Contact Graham

Note: Sealant Not Shown On Details. Refer To General Installation Instructions.



Note: Dashed Lines Represent Inswing Vented Units Solid Lines Represent  
 Outswing Vented Units; Lines Converge At Hinge Side Of Vent  
 Graham Architectural Products reserves the right to change, add, cancel, remove or otherwise modify the details illustrated without prior notice.  
 1551 Mt. Rose Avenue, York, Pennsylvania 17403-2909 717.849.8100 Toll Free: 800/755-6274 0223 - GT67.21F  
 Web Site: www.grahamwindows.com

Projected - 3"  
Narrow Sightline

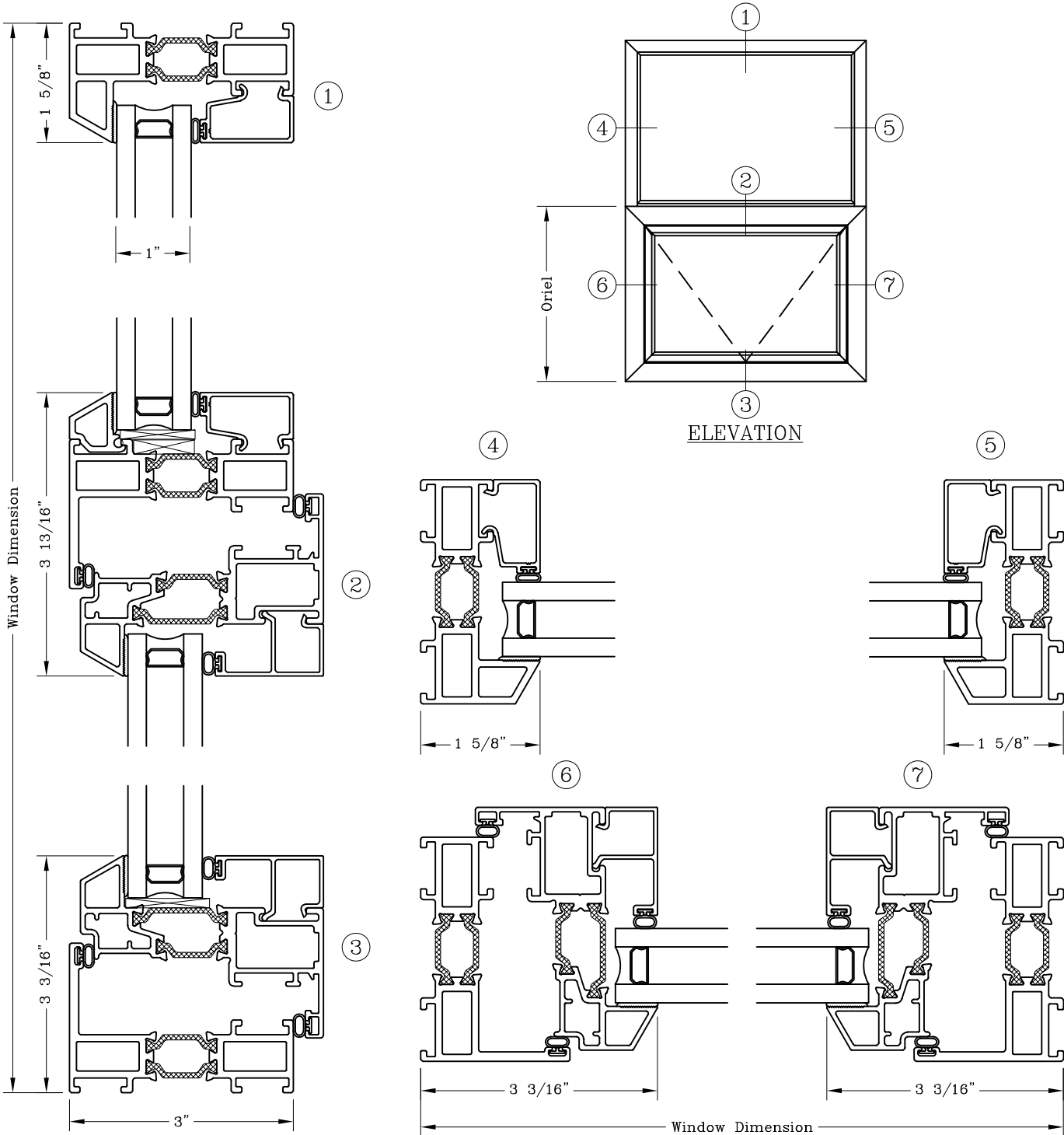
Fixed Over Inswing Projected

Series: GT6700

Manufacturing Code: GT6722B

Drawing 1/2 Scale - For Custom Size Drawing Contact Graham

Note: Sealant Not Shown On Details. Refer To General Installation Instructions.



Note: Dashed Lines Represent Inswing Vented Units Solid Lines Represent  
Outswing Vented Units; Lines Converge At Hinge Side Of Vent

Graham Architectural Products reserves the right to change, add, cancel, remove or otherwise modify the details illustrated without prior notice.

1551 Mt. Rose Avenue, York, Pennsylvania 17403-2909 717.849.8100 Toll Free: 800/755-6274

0223 - GT67.22B

Web Site: www.grahamwindows.com

Projected - 3"  
Narrow Sightline

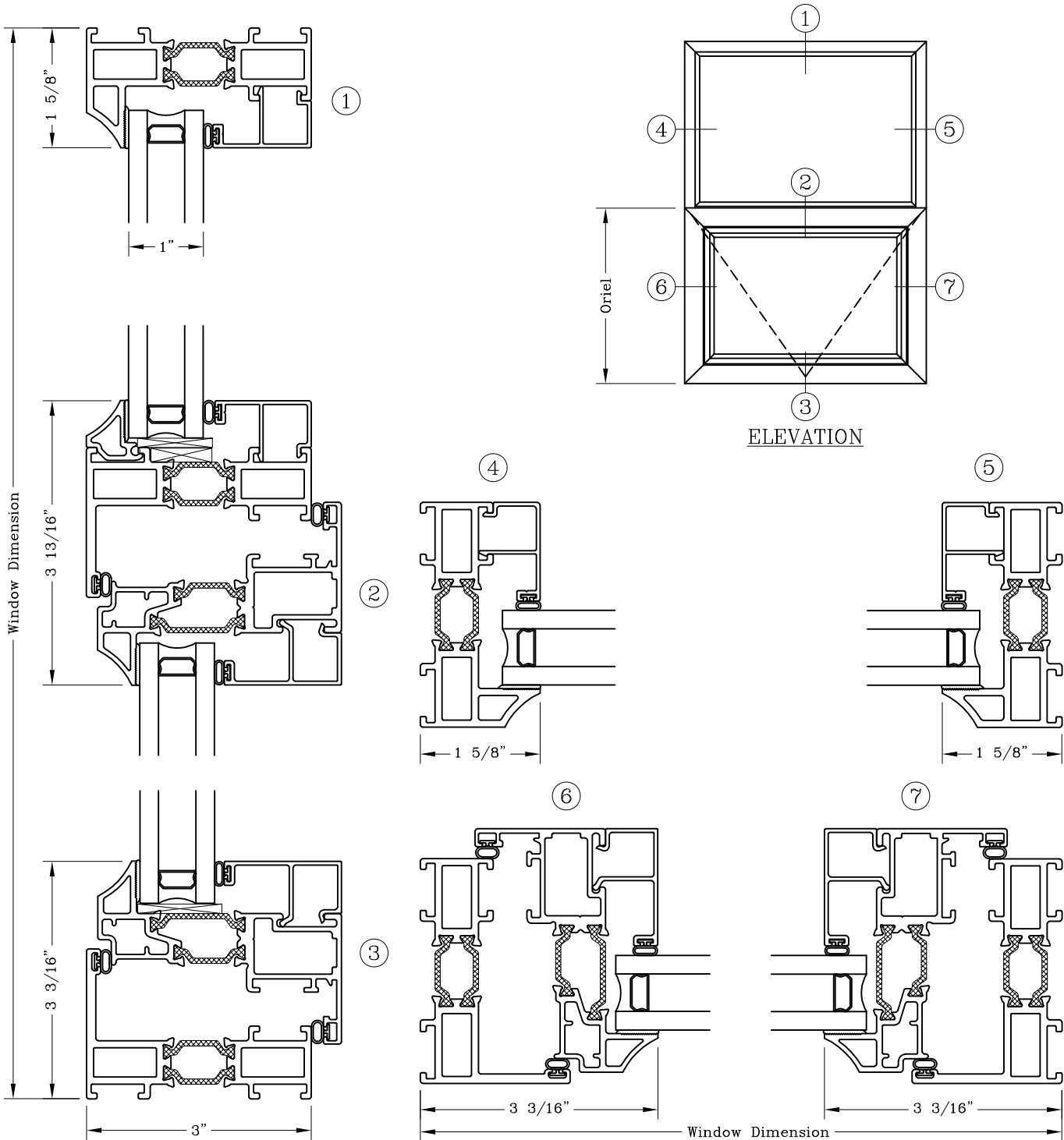
Fixed Over Inswing Projected

Series: GT6700

Manufacturing Code: GT6722C

Drawing 1/2 Scale - For Custom Size Drawing Contact Graham

Note: Sealant Not Shown On Details. Refer To General Installation Instructions.



Note: Dashed Lines Represent Inswing Vented Units Solid Lines Represent Outswing Vented Units; Lines Converge At Hinge Side Of Vent

Graham Architectural Products reserves the right to change, add, cancel, remove or otherwise modify the details illustrated without prior notice.

1551 Mt. Rose Avenue, York, Pennsylvania 17403-2909 717.849.8100 Toll Free: 800/755-6274

0223 - GT67.22C

Web Site: [www.grahamwindows.com](http://www.grahamwindows.com)

Projected - 3"  
Narrow Sightline



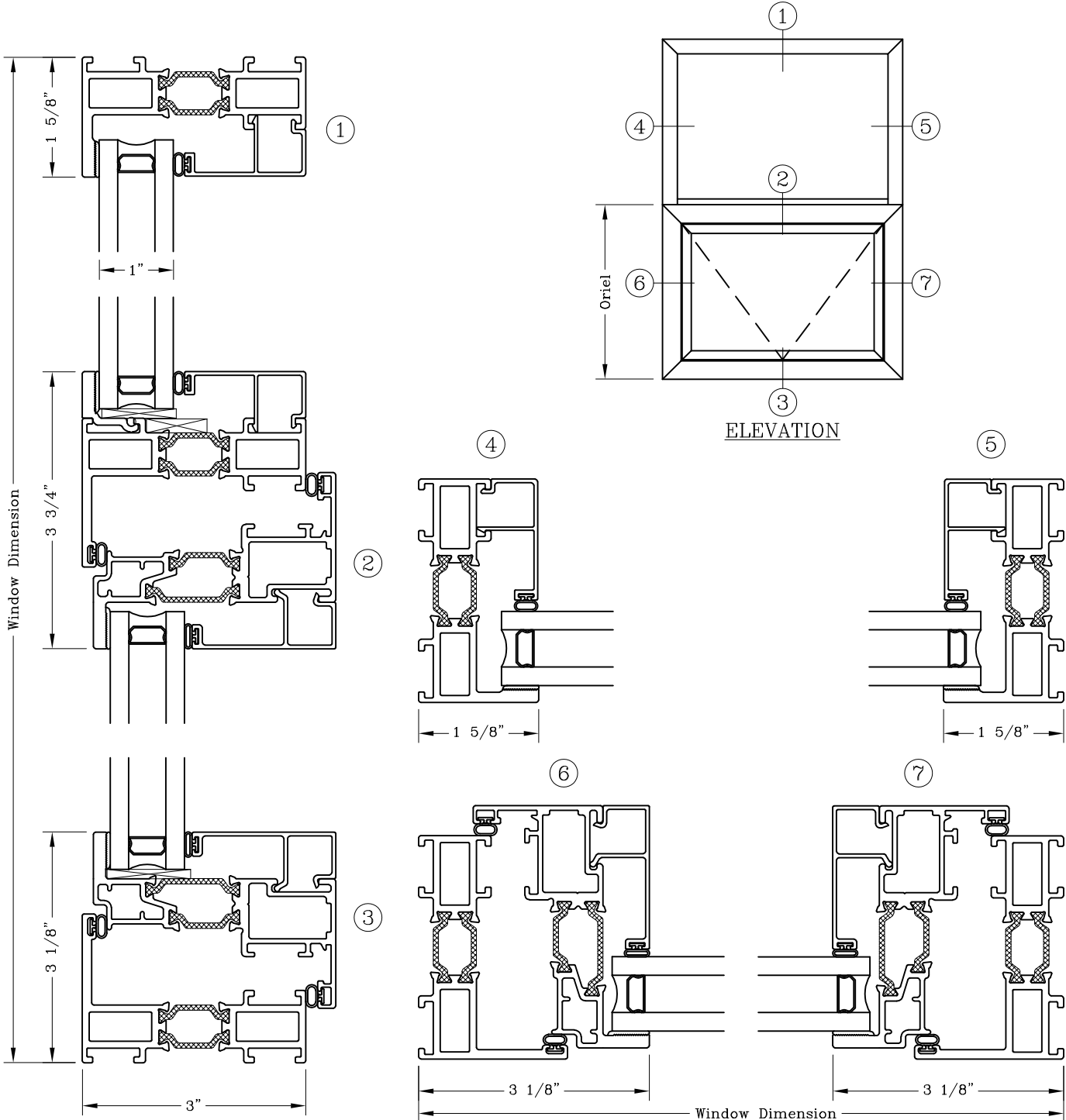
Fixed Over Inswing Projected

Series: GT6700

Manufacturing Code: GT6722F

Drawing 1/2 Scale - For Custom Size Drawing Contact Graham

Note: Sealant Not Shown On Details. Refer To General Installation Instructions.



Note: Dashed Lines Represent Inswing Vented Units Solid Lines Represent  
Outswing Vented Units; Lines Converge At Hinge Side Of Vent

Graham Architectural Products reserves the right to change, add, cancel, remove or otherwise modify the details illustrated without prior notice.

1551 Mt. Rose Avenue, York, Pennsylvania 17403-2909 717.849.8100 Toll Free: 800/755-6274

0223 - GT67.22F

Web Site: www.grahamwindows.com

Projected - 3"  
 Equal Sightline



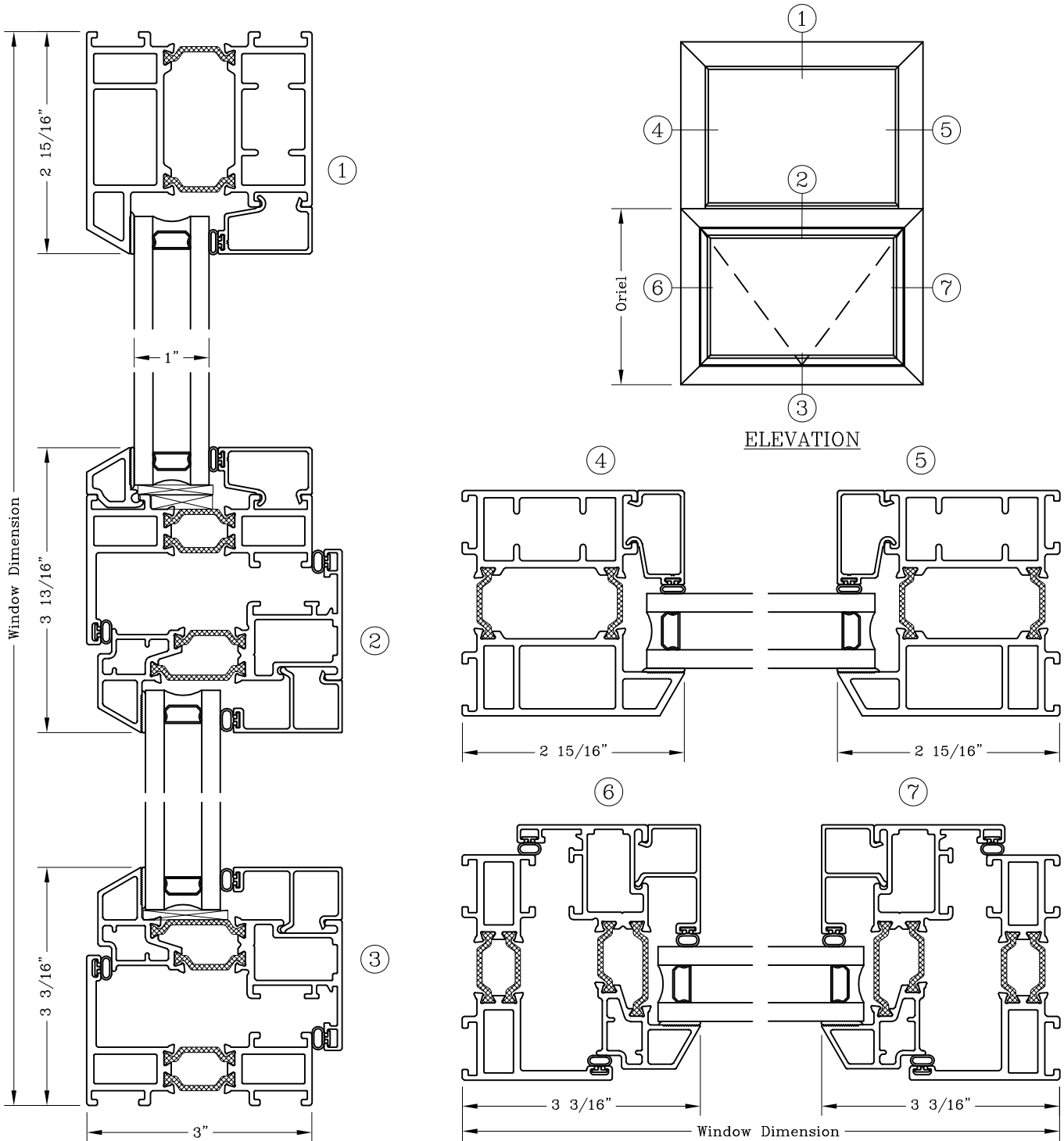
Fixed Over Inswing Projected

Series: GT6700

Manufacturing Code: GT6723B

Drawing 1/2 Scale - For Custom Size Drawing Contact Graham

Note: Sealant Not Shown On Details. Refer To General Installation Instructions.



Note: Dashed Lines Represent Inswing Vented Units Solid Lines Represent  
 Outswing Vented Units; Lines Converge At Hinge Side Of Vent

Graham Architectural Products reserves the right to change, add, cancel, remove or otherwise modify the details illustrated without prior notice.

1551 Mt. Rose Avenue, York, Pennsylvania 17403-2909 717.849.8100 Toll Free: 800/755-6274

0223 - GT67.23B

Web Site: www.grahamwindows.com

Projected - 3"  
 Equal Sightline



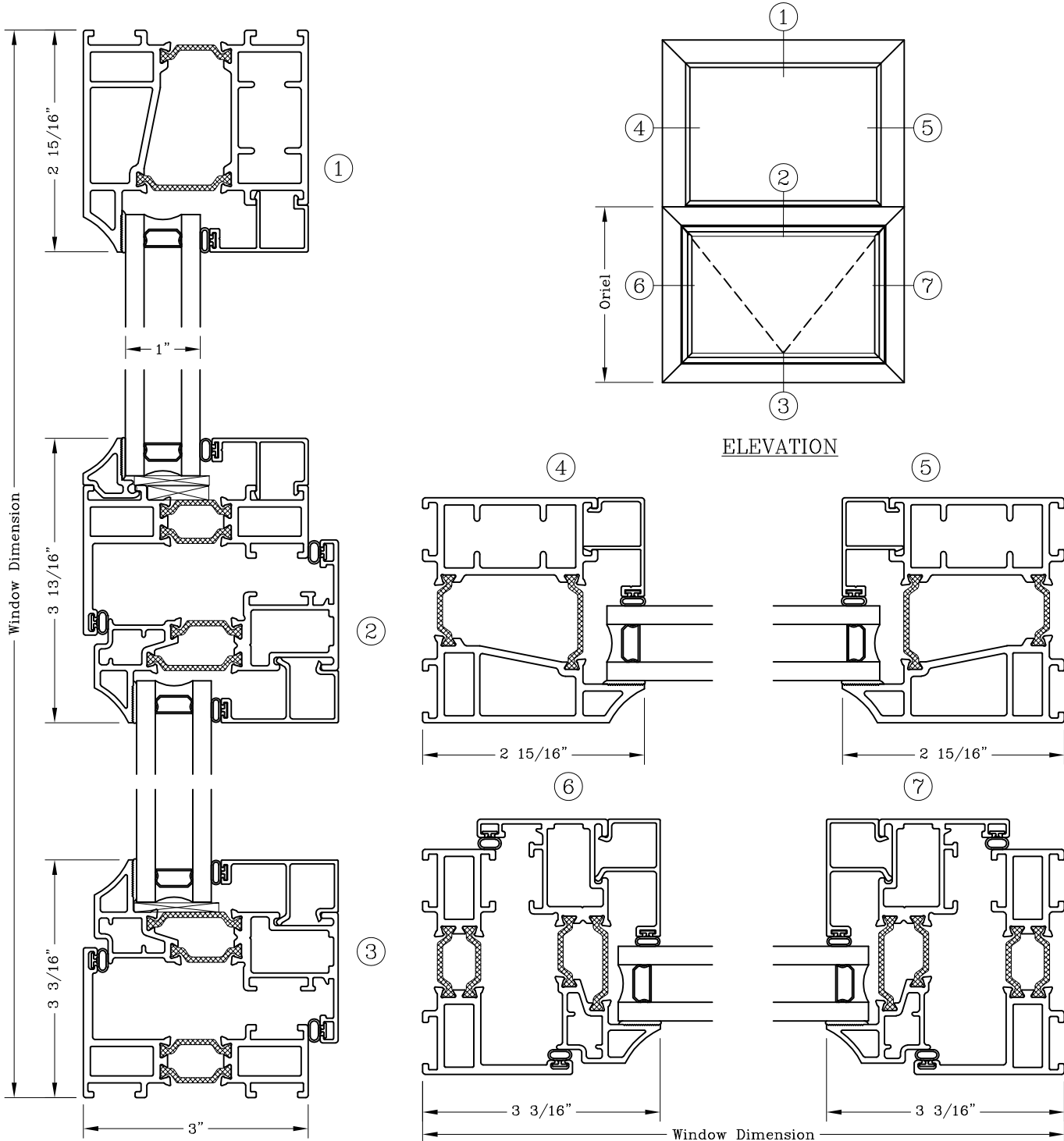
Fixed Over Inswing Projected

Series: GT6700

Manufacturing Code: GT6723C

Drawing 1/2 Scale - For Custom Size Drawing Contact Graham

Note: Sealant Not Shown On Details. Refer To General Installation Instructions.



Note: Dashed Lines Represent Inswing Vented Units Solid Lines Represent  
 Outswing Vented Units; Lines Converge At Hinge Side Of Vent  
 Graham Architectural Products reserves the right to change, add, cancel, remove or otherwise modify the details illustrated without prior notice.  
 1551 Mt. Rose Avenue, York, Pennsylvania 17403-2909 717.849.8100 Toll Free: 800/755-6274 0223 - GT67.23C  
 Web Site: www.grahamwindows.com

Projected - 3"  
 Equal Sightline

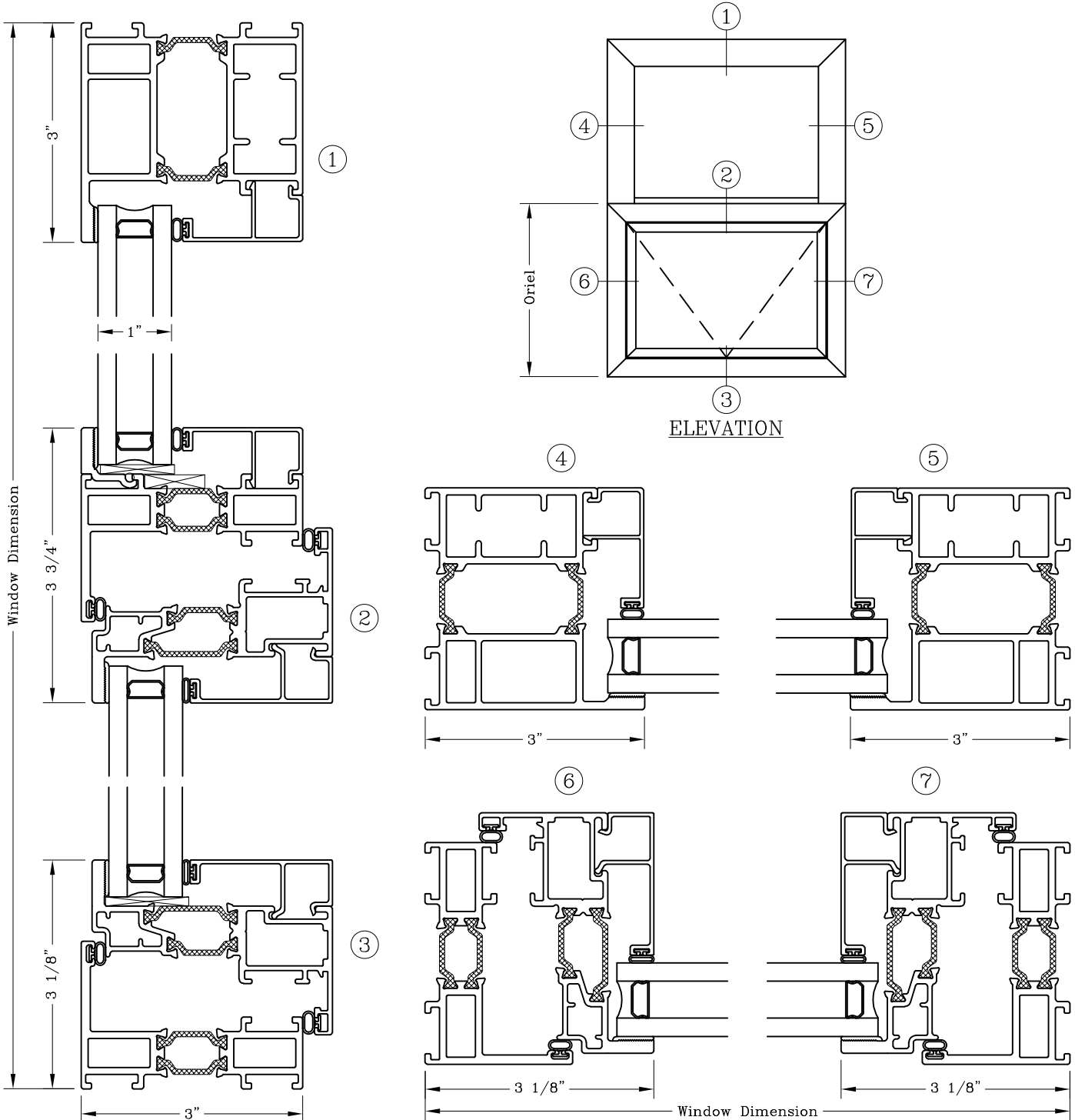
Fixed Over Inswing Projected

Series: GT6700

Manufacturing Code: GT6723F

Drawing 1/2 Scale - For Custom Size Drawing Contact Graham

Note: Sealant Not Shown On Details. Refer To General Installation Instructions.



Note: Dashed Lines Represent Inswing Vented Units Solid Lines Represent  
 Outswing Vented Units; Lines Converge At Hinge Side Of Vent

Graham Architectural Products reserves the right to change, add, cancel, remove or otherwise modify the details illustrated without prior notice.

1551 Mt. Rose Avenue, York, Pennsylvania 17403-2909 717.849.8100 Toll Free: 800/755-6274

0223 - GT67.23F

Web Site: www.grahamwindows.com

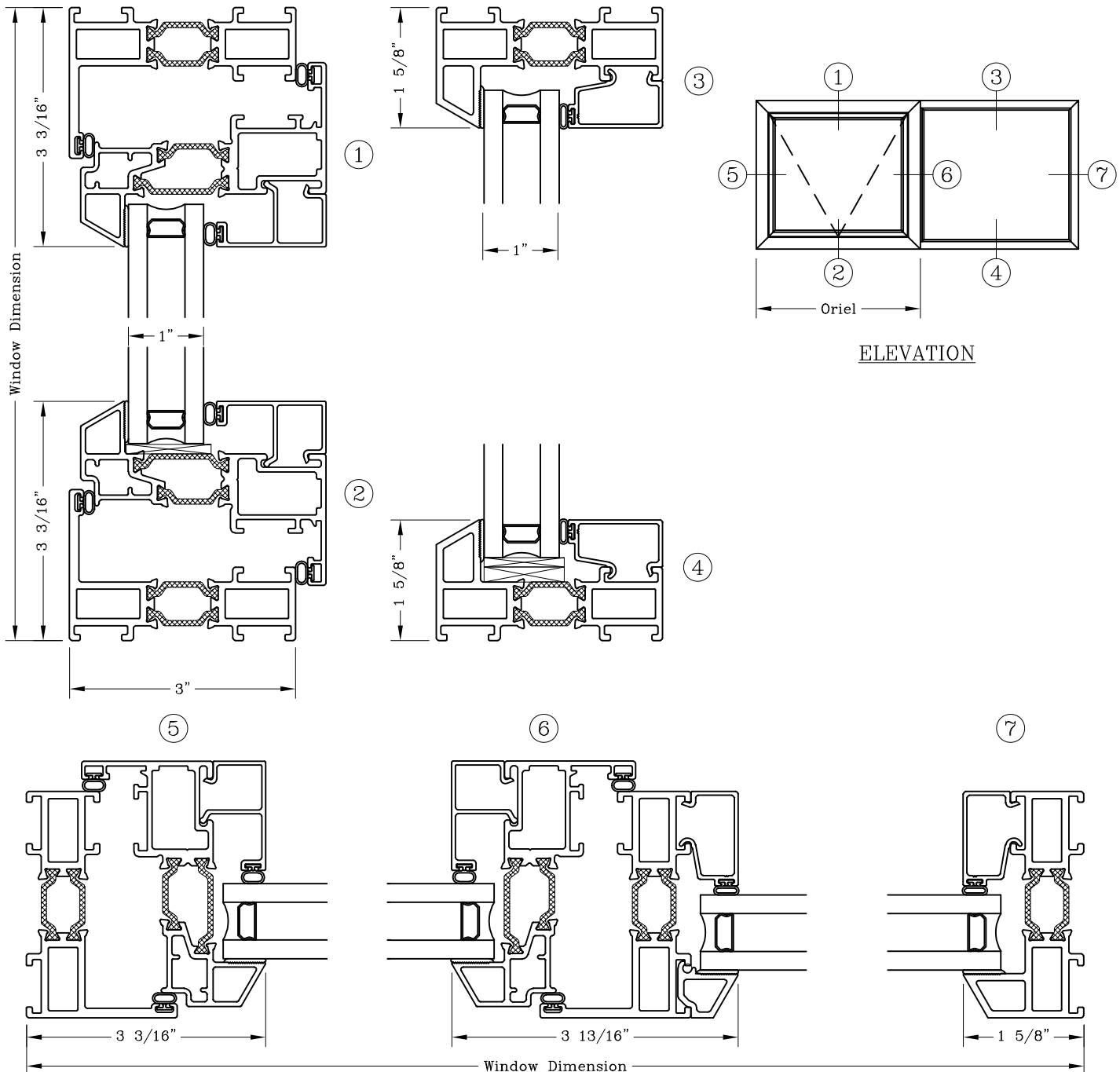
Projected – 3”  
Narrow Sightline  
Inswing Projected/Fixed



Series: GT6700 Manufacturing Code: GT6724B

Drawing 1/2 Scale – For Custom Size Drawing Contact Graham

Note: Sealant Not Shown On Details. Refer To General Installation Instructions.



ELEVATION

Note: Dashed Lines Represent Inswing Vented Units Solid Lines Represent  
Outswing Vented Units; Lines Converge At Hinge Side Of Vent

Graham Architectural Products reserves the right to change, add, cancel, remove or otherwise modify the details illustrated without prior notice.

1551 Mt. Rose Avenue, York, Pennsylvania 17403-2909 717.849.8100 Toll Free: 800/755-6274

0223 – GT67.24B

Web Site: www.grahamwindows.com



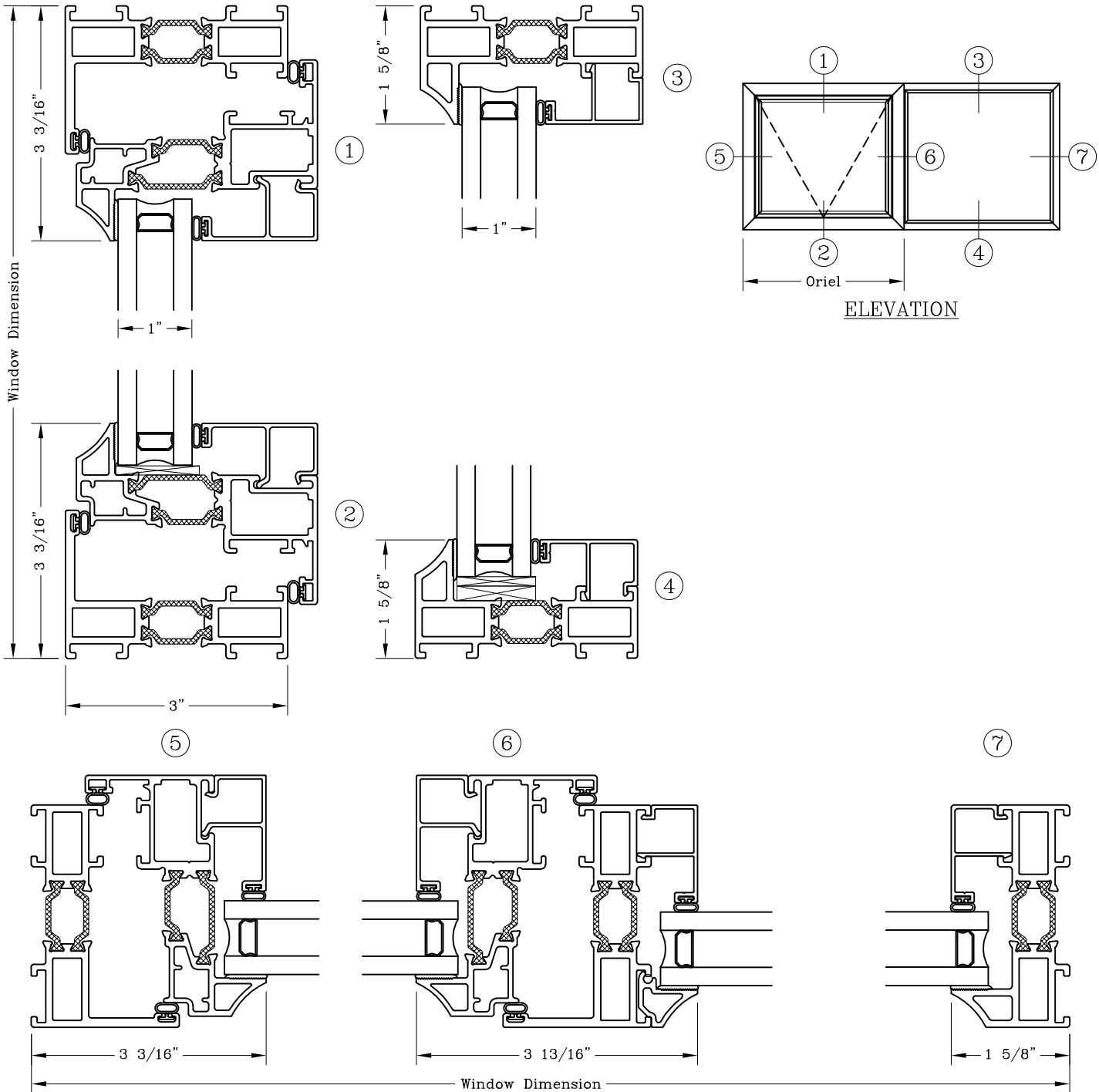
Projected - 3"  
 Narrow Sightline  
 Inswing Projected/Fixed



Series: GT6700 Manufacturing Code: GT6724C

Drawing 1/2 Scale - For Custom Size Drawing Contact Graham

Note: Sealant Not Shown On Details. Refer To General Installation Instructions.



Note: Dashed Lines Represent Inswing Vented Units Solid Lines Represent  
 Outswing Vented Units; Lines Converge At Hinge Side Of Vent

Graham Architectural Products reserves the right to change, add, cancel, remove or otherwise modify the details illustrated without prior notice.

1551 Mt. Rose Avenue, York, Pennsylvania 17403-2909 717.849.8100 Toll Free: 800/755-6274

0223 - GT67.24C

Web Site: [www.grahamwindows.com](http://www.grahamwindows.com)

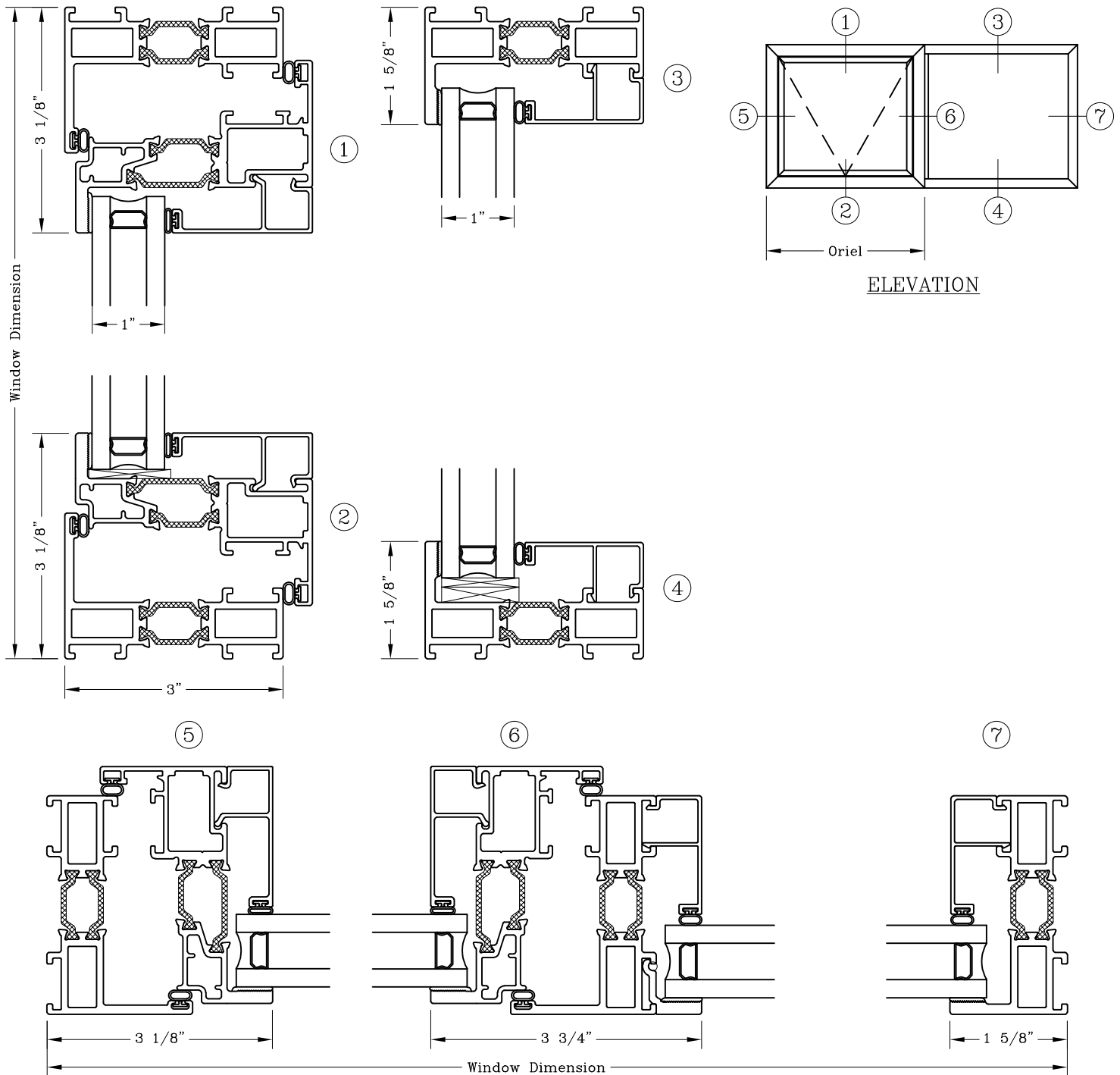
Projected - 3"  
 Narrow Sightline  
 Inswing Projected/Fixed



Series: GT6700 Manufacturing Code: GT6724F

Drawing 1/2 Scale - For Custom Size Drawing Contact Graham

Note: Sealant Not Shown On Details. Refer To General Installation Instructions.



Note: Dashed Lines Represent Inswing Vented Units Solid Lines Represent  
 Outswing Vented Units; Lines Converge At Hinge Side Of Vent

Graham Architectural Products reserves the right to change, add, cancel, remove or otherwise modify the details illustrated without prior notice.

1551 Mt. Rose Avenue, York, Pennsylvania 17403-2909 717.849.8100 Toll Free: 800/755-6274

0223 - GT67.24F

Web Site: www.grahamwindows.com

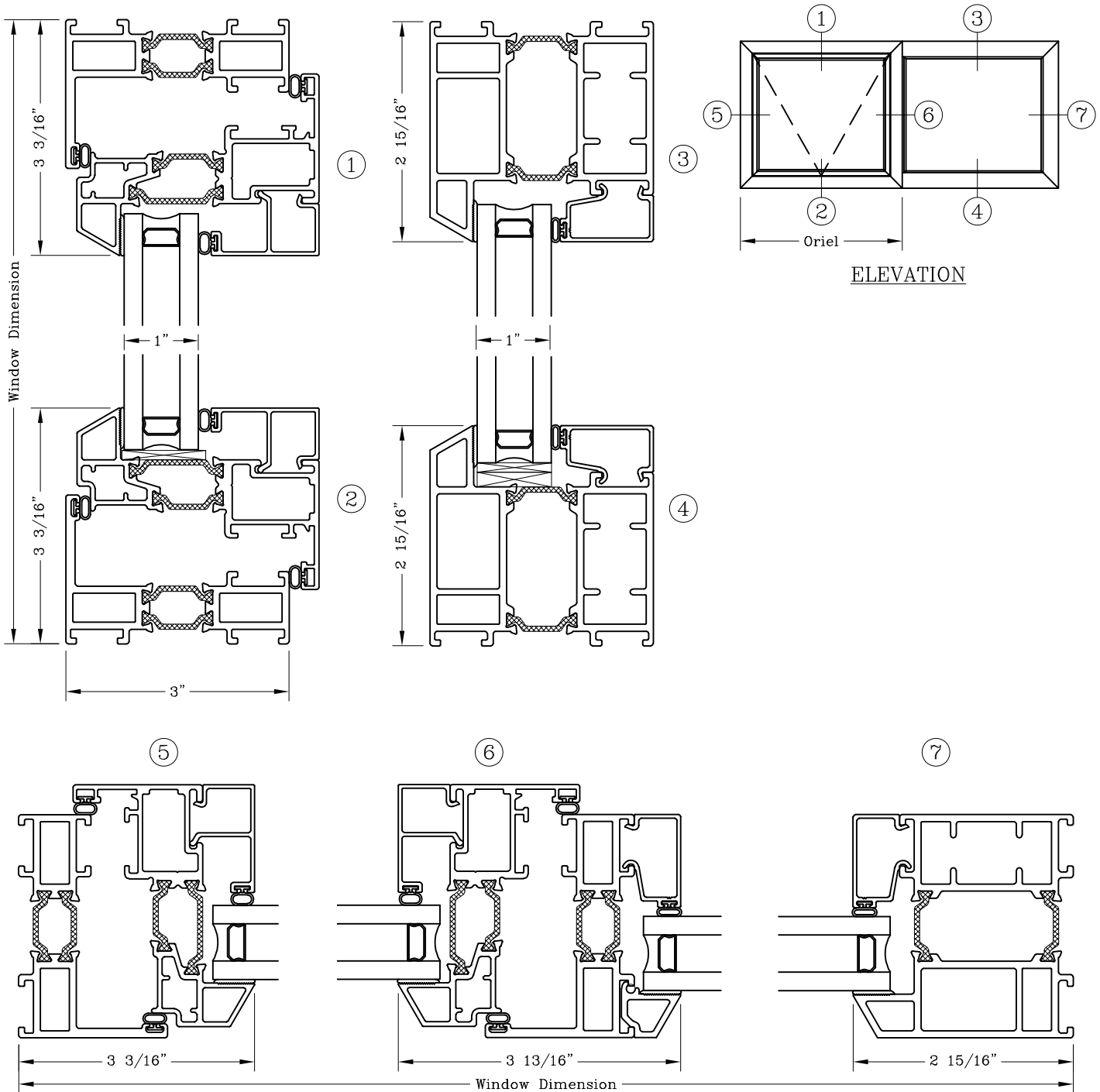
Projected - 3"  
 Equal Sightline  
 Inswing Projected/Fixed



Series: GT6700 Manufacturing Code: GT6725B

Drawing 1/2 Scale - For Custom Size Drawing Contact Graham

Note: Sealant Not Shown On Details. Refer To General Installation Instructions.



Note: Dashed Lines Represent Inswing Vented Units Solid Lines Represent  
 Outswing Vented Units; Lines Converge At Hinge Side Of Vent

Graham Architectural Products reserves the right to change, add, cancel, remove or otherwise modify the details illustrated without prior notice.

1551 Mt. Rose Avenue, York, Pennsylvania 17403-2909 717.849.8100 Toll Free: 800/755-6274

0223 - GT67.25B

Web Site: [www.grahamwindows.com](http://www.grahamwindows.com)

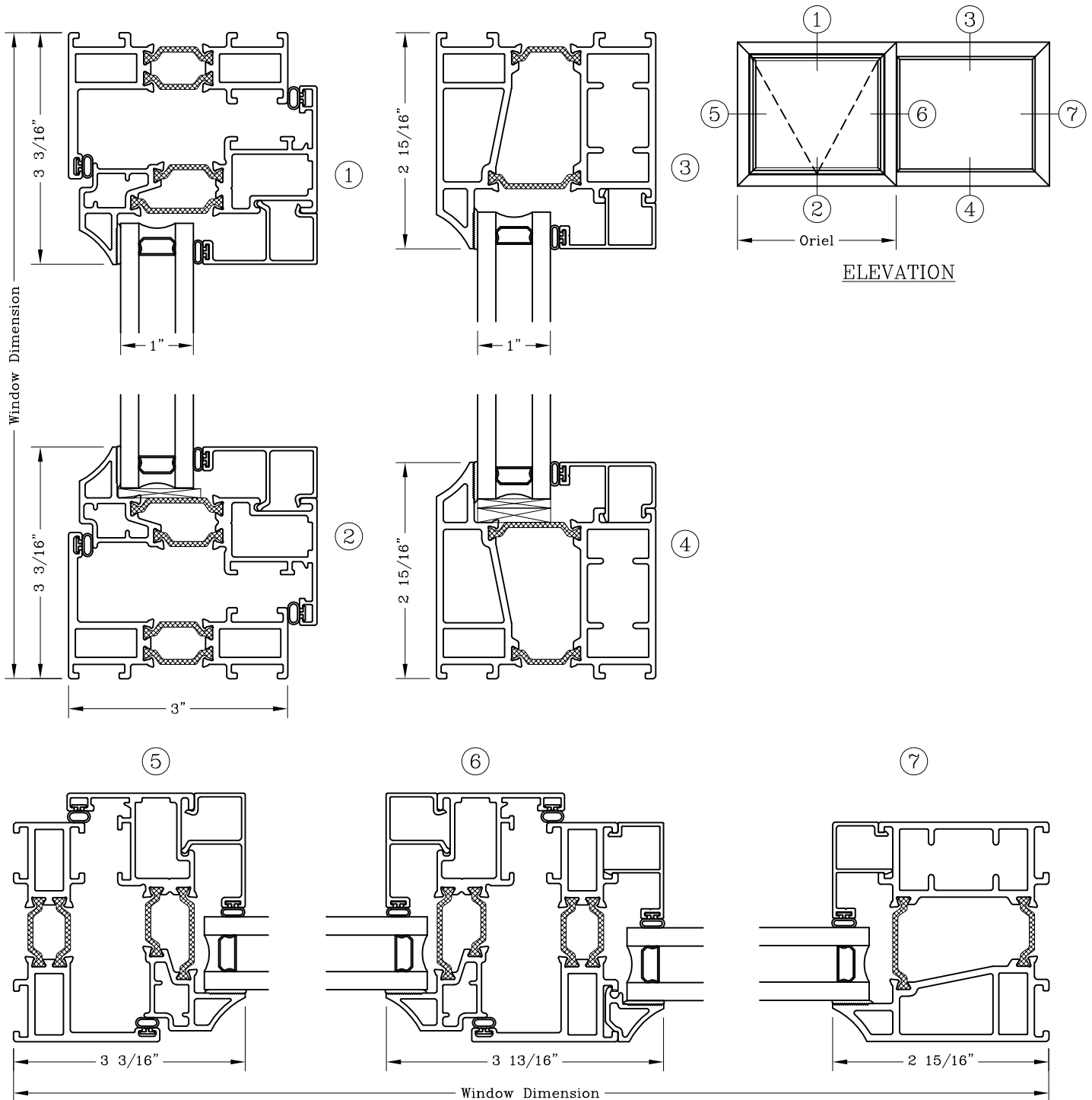
Projected - 3"  
 Equal Sightline  
 Inswing Projected/Fixed



Series: GT6700 Manufacturing Code: GT6725C

Drawing 1/2 Scale - For Custom Size Drawing Contact Graham

Note: Sealant Not Shown On Details. Refer To General Installation Instructions.



Note: Dashed Lines Represent Inswing Vented Units Solid Lines Represent  
 Outswing Vented Units; Lines Converge At Hinge Side Of Vent

Graham Architectural Products reserves the right to change, add, cancel, remove or otherwise modify the details illustrated without prior notice.

1551 Mt. Rose Avenue, York, Pennsylvania 17403-2909 717.849.8100 Toll Free: 800/755-6274

0223 - GT67.25C

Web Site: www.grahamwindows.com

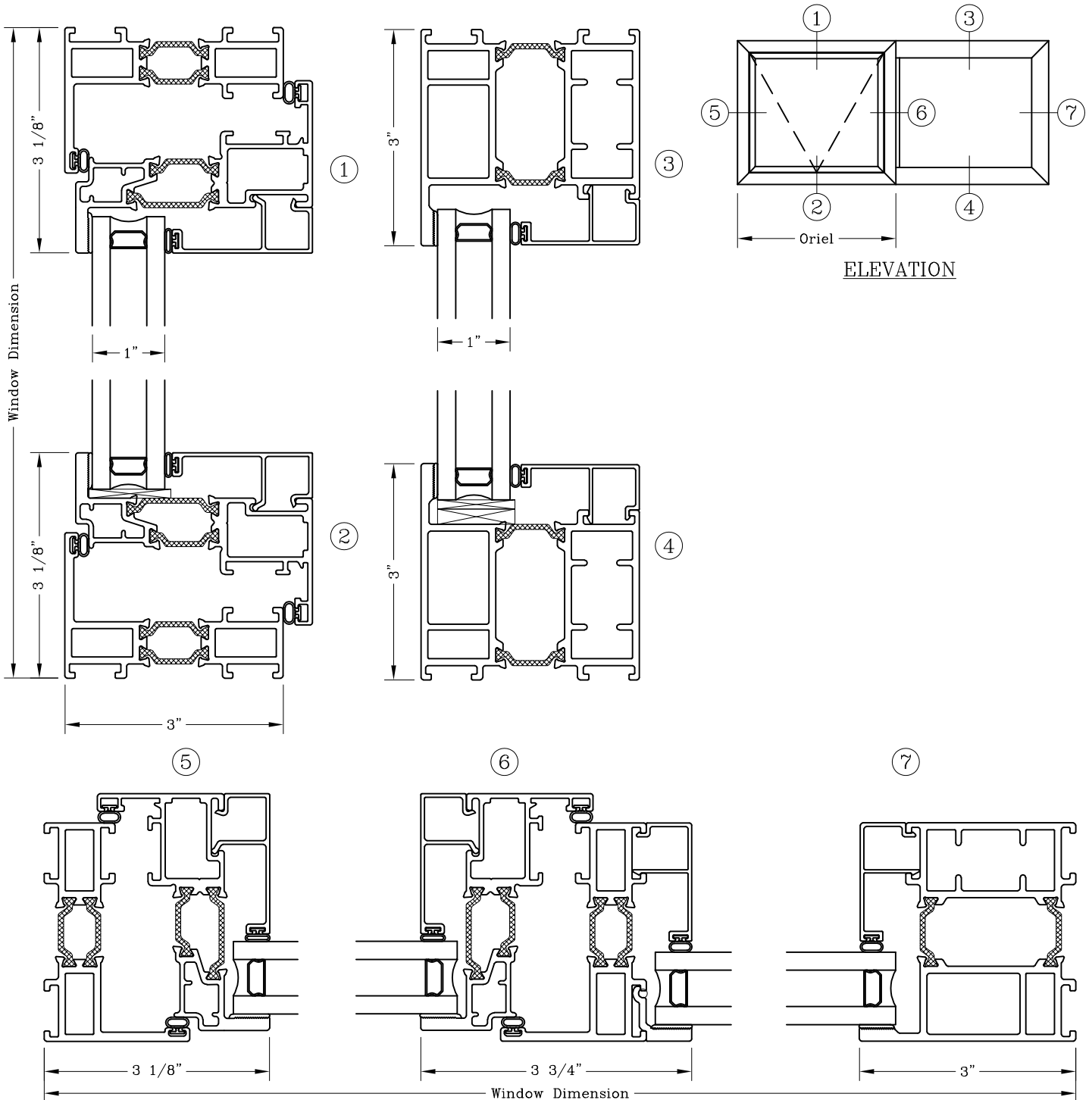
Projected - 3"  
 Equal Sightline  
 Inswing Projected/Fixed



Series: GT6700 Manufacturing Code: GT6725F

Drawing 1/2 Scale - For Custom Size Drawing Contact Graham

Note: Sealant Not Shown On Details. Refer To General Installation Instructions.



Note: Dashed Lines Represent Inswing Vented Units Solid Lines Represent  
 Outswing Vented Units; Lines Converge At Hinge Side Of Vent

Graham Architectural Products reserves the right to change, add, cancel, remove or otherwise modify the details illustrated without prior notice.

1551 Mt. Rose Avenue, York, Pennsylvania 17403-2909 717.849.8100 Toll Free: 800/755-6274

0223 - GT67.25F

Web Site: www.grahamwindows.com

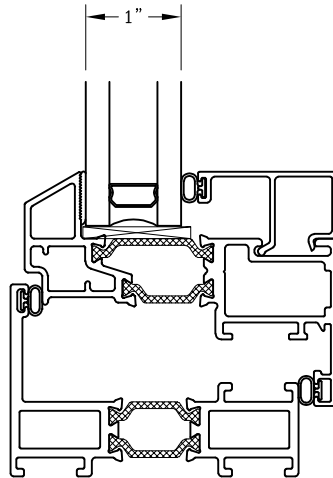
# Exterior Profile Options - 3"



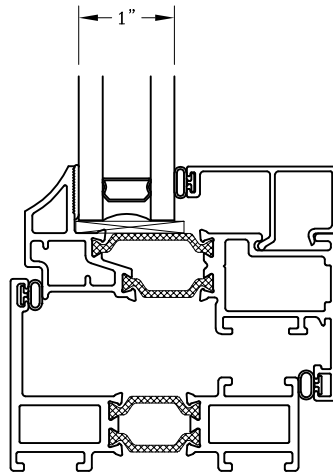
Series: GT6700 Manufacturing Code: GT6733B

Drawing 1/2 Scale - For Custom Size Drawing Contact Graham

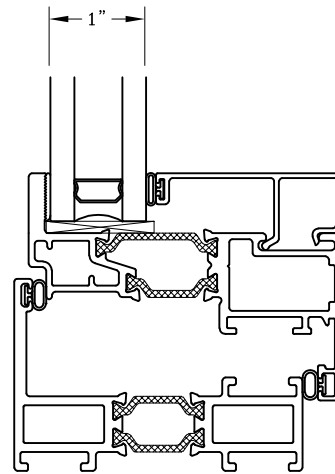
Note: Sealant Not Shown On Details. Refer To General Installation Instructions.



GT6700B  
Beveled



GT6700C  
Concave



GT6700F  
Flat

Note: Dashed Lines Represent Inswing Vented Units Solid Lines Represent  
Outswing Vented Units; Lines Converge At Hinge Side Of Vent  
Graham Architectural Products reserves the right to change, add, cancel, remove or otherwise modify the details illustrated without prior notice.

1551 Mt. Rose Avenue, York, Pennsylvania 17403-2909 717.849.8100 Toll Free: 800/755-6274

Web Site: [www.grahamwindows.com](http://www.grahamwindows.com)

0223 - GT67.33B