

# Terrace Door - 2 3/4"

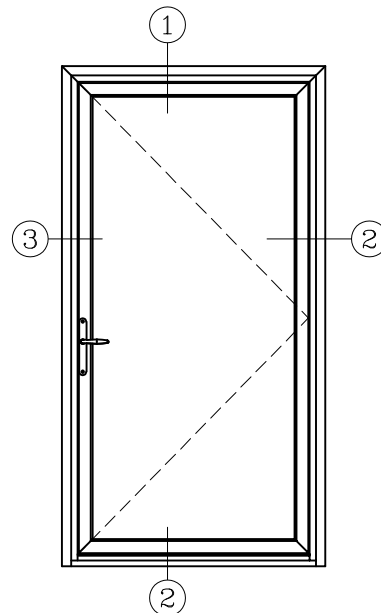
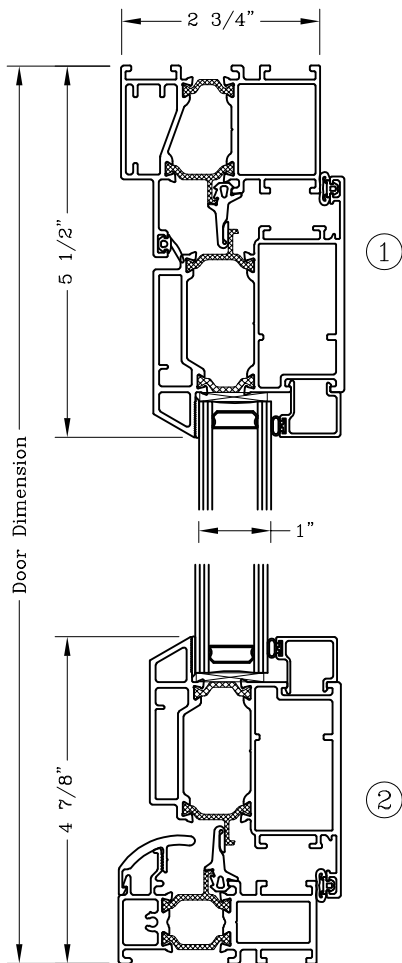
Inswing  
Beveled

Series: GT7700

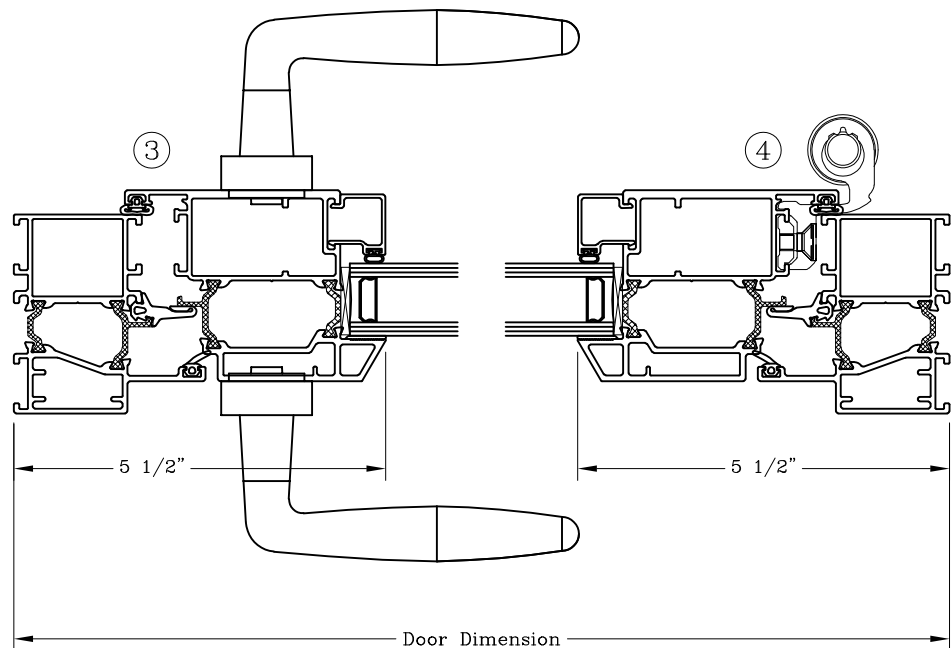
Manufacturing Code: GT7701

Drawing 1/2 Scale - For Custom Size Drawing Contact Graham

Note: Sealant Not Shown On Details. Refer To General Installation Instructions.



ELEVATION



Note: Dashed Lines Represent Inswing Vented Units; Solid Lines Represent  
Outswing Vented Units; Lines Converge At Hinge Side Of Vent

Graham Architectural Products reserves the right to change, add, cancel, remove or otherwise modify the details illustrated without prior notice.

1551 Mt. Rose Avenue, York, Pennsylvania 17403-2909 717.849.8100 Toll Free: 800/755-6274

0423 - GT77.01

Web Site: [www.grahamwindows.com](http://www.grahamwindows.com)

# Terrace Door – 3 1/4” Inswing with Top Transom Beveled

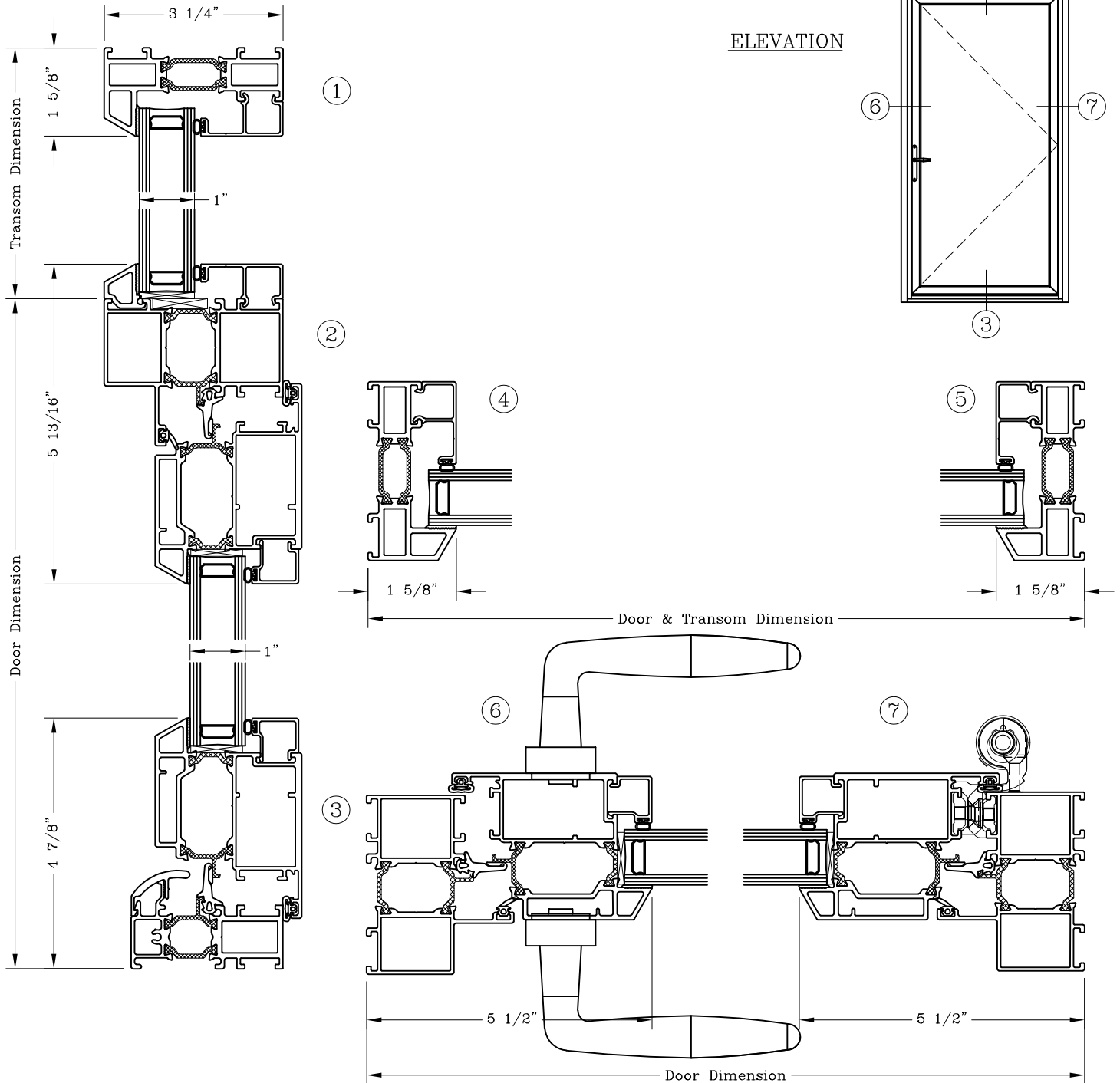


Series: GT7700

Manufacturing Code: GT7702

Drawing 1/2 Scale – For Custom Size Drawing Contact Graham

Note: Sealant Not Shown On Details. Refer To General Installation Instructions.



Note: Dashed Lines Represent Inswing Vented Units; Solid Lines Represent  
Outswing Vented Units; Lines Converge At Hinge Side Of Vent  
Graham Architectural Products reserves the right to change, add, cancel, remove or otherwise modify the details illustrated without prior notice.

1551 Mt. Rose Avenue, York, Pennsylvania 17403-2909 717.849.8100 Toll Free: 800/755-6274

0423 – GT77.02

Web Site: [www.grahamwindows.com](http://www.grahamwindows.com)

# Terrace Door – 3 3/8” Inswing with Sidelite Beveled

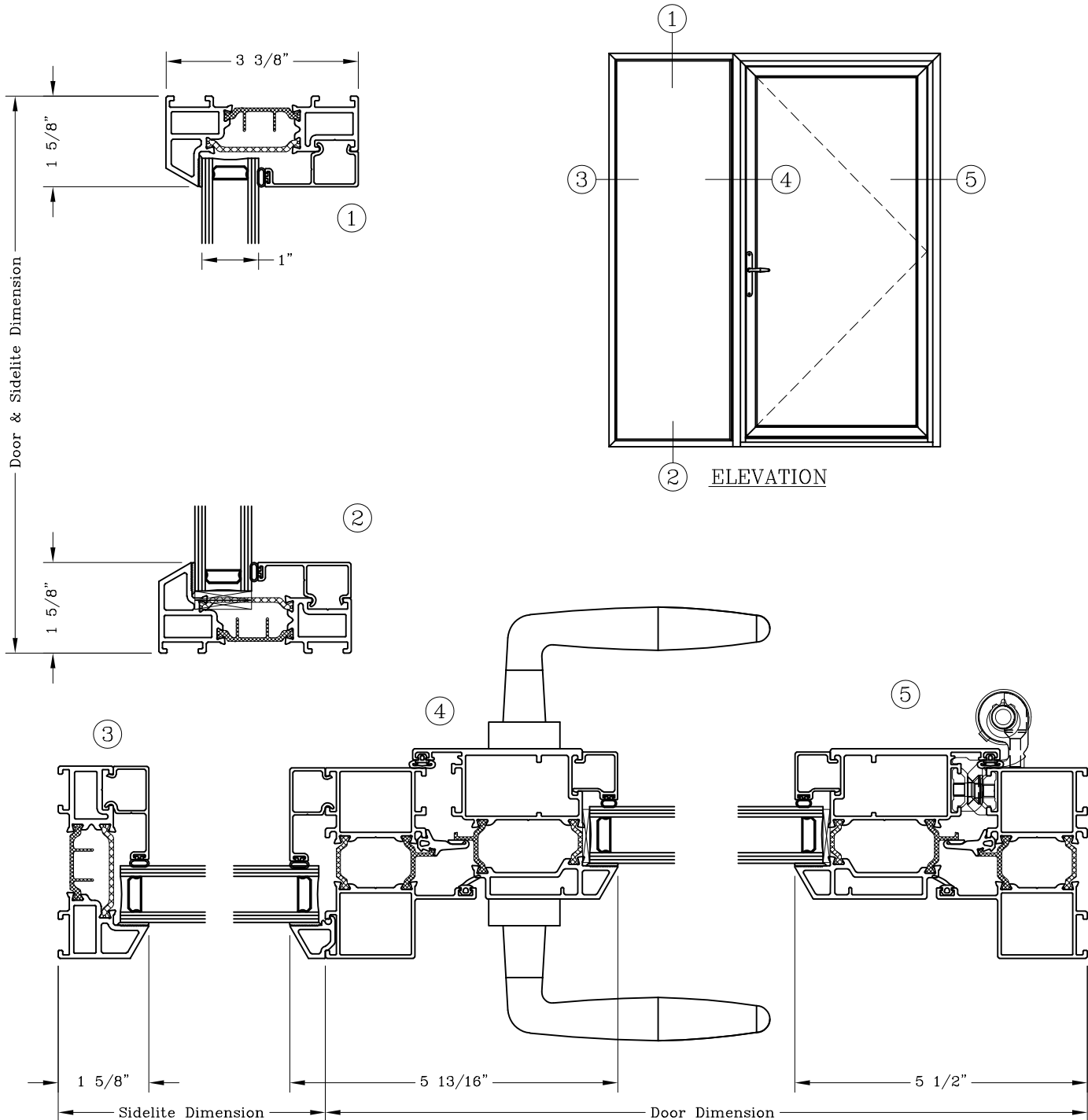


Series: GT7700

Manufacturing Code: GT7703

Drawing 1/2 Scale – For Custom Size Drawing Contact Graham

Note: Sealant Not Shown On Details. Refer To General Installation Instructions.



Note: Dashed Lines Represent Inswing Vented Units; Solid Lines Represent Outswing Vented Units; Lines Converge At Hinge Side Of Vent

Graham Architectural Products reserves the right to change, add, cancel, remove or otherwise modify the details illustrated without prior notice.

1551 Mt. Rose Avenue, York, Pennsylvania 17403-2909 717.849.8100 Toll Free: 800/755-6274

0423 – GT77.03

Web Site: [www.grahamwindows.com](http://www.grahamwindows.com)

# French Terrace Door

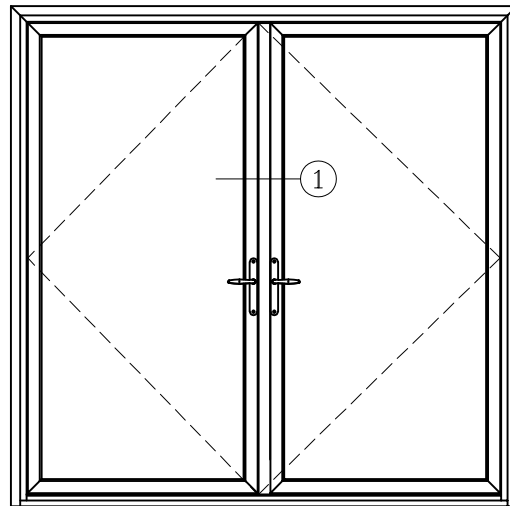
Inswing  
Beveled

Series: GT7700

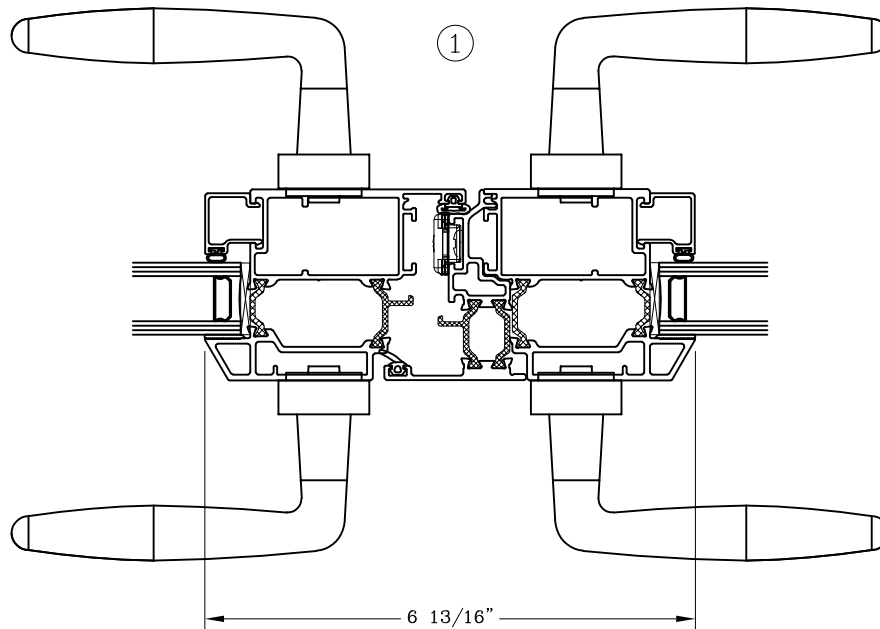
Manufacturing Code: GT7704

Drawing 1/2 Scale – For Custom Size Drawing Contact Graham

Note: Sealant Not Shown On Details. Refer To General Installation Instructions.



ELEVATION



Note: Dashed Lines Represent Inswing Vented Units; Solid Lines Represent  
Outswing Vented Units; Lines Converge At Hinge Side Of Vent

Graham Architectural Products reserves the right to change, add, cancel, remove or otherwise modify the details illustrated without prior notice.

1551 Mt. Rose Avenue, York, Pennsylvania 17403-2909 717.849.8100 Toll Free: 800/755-6274

0423 – GT77.04

Web Site: [www.grahamwindows.com](http://www.grahamwindows.com)

# Terrace Door Options

## Inswing



Series: GT7700

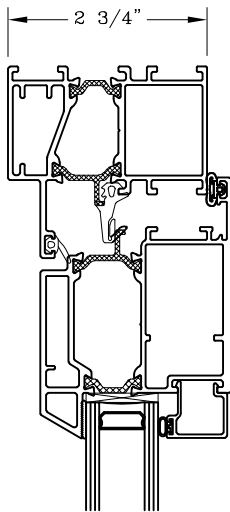
Manufacturing Code: GT7705

Drawing 1/2 Scale – For Custom Size Drawing Contact Graham

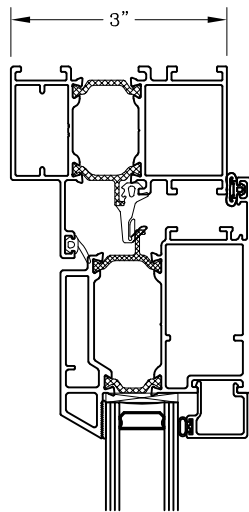
Note: Sealant Not Shown On Details. Refer To General Installation Instructions.

### Door Frame Depth Options

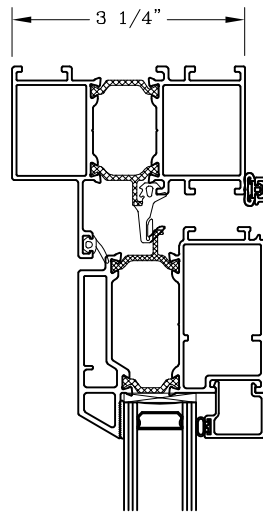
2 3/4" Frame



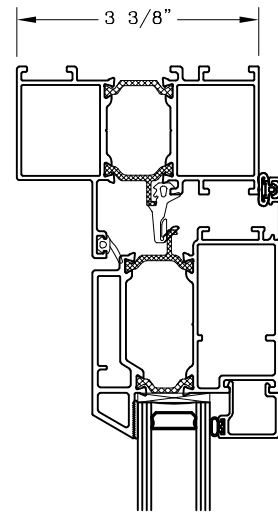
3" Frame



3 1/4" Frame

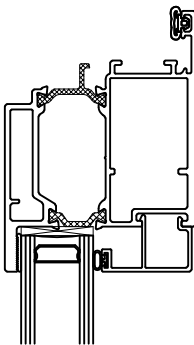


3 3/8" Frame

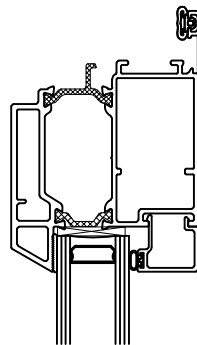


### Door Leaf Profile Options

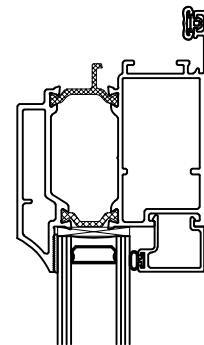
Flat Profile



Beveled Profile



Concave Profile



Note: Dashed Lines Represent Inswing Vented Units; Solid Lines Represent  
Outswing Vented Units; Lines Converge At Hinge Side Of Vent

Graham Architectural Products reserves the right to change, add, cancel, remove or otherwise modify the details illustrated without prior notice.

1551 Mt. Rose Avenue, York, Pennsylvania 17403-2909 717.849.8100 Toll Free: 800/755-6274

0423 - GT77.05

Web Site: [www.grahamwindows.com](http://www.grahamwindows.com)

# Terrace Door Options

## Inswing



Series: GT7700

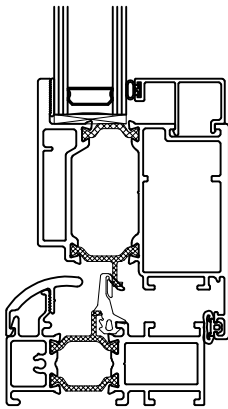
Manufacturing Code: GT7706

Drawing 1/2 Scale – For Custom Size Drawing Contact Graham

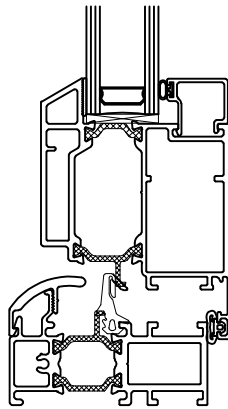
Note: Sealant Not Shown On Details. Refer To General Installation Instructions.

### Standard Door Threshold Option

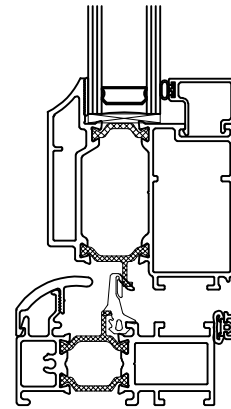
Flat Profile



Beveled Profile

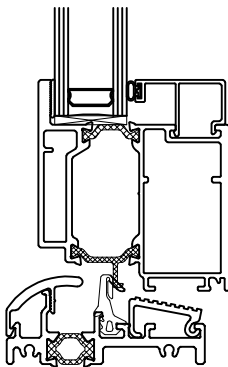


Concave Profile

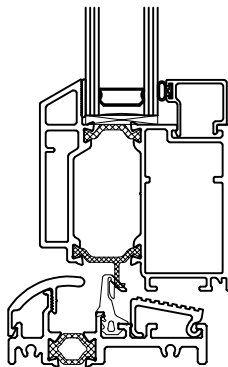


### Low Rise Door Threshold Option

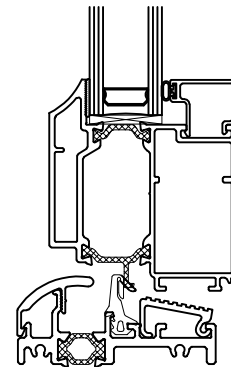
Flat Profile



Beveled Profile



Concave Profile



Note: Dashed Lines Represent Inswing Vented Units; Solid Lines Represent  
Outswing Vented Units; Lines Converge At Hinge Side Of Vent

Graham Architectural Products reserves the right to change, add, cancel, remove or otherwise modify the details illustrated without prior notice.

1551 Mt. Rose Avenue, York, Pennsylvania 17403-2909 717.849.8100 Toll Free: 800/755-6274

0423 - GT77.06

Web Site: [www.grahamwindows.com](http://www.grahamwindows.com)

# Terrace Door Options

Inswing

Bottom Rail Kick Plates

Series: GT7700

Manufacturing Code: GT7707

Drawing 1/2 Scale – For Custom Size Drawing Contact Graham

Note: Sealant Not Shown On Details. Refer To General Installation Instructions.

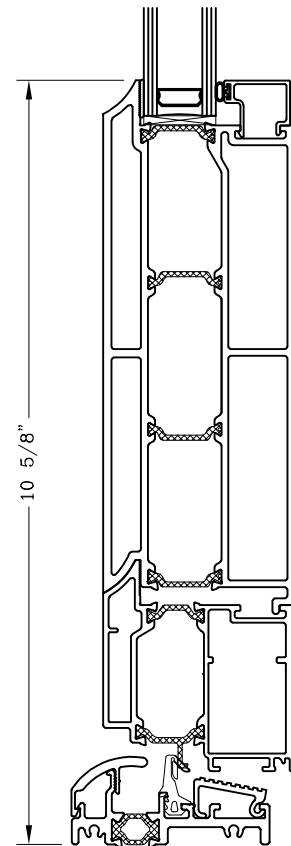
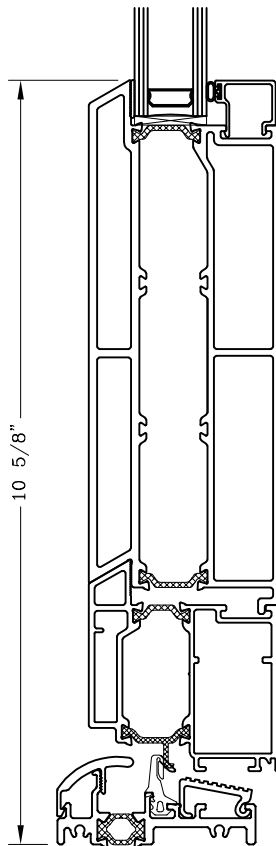
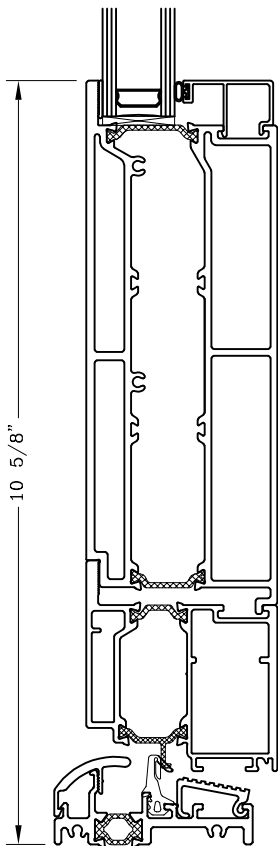


## Terrace Door Kick Plate Option

Flat Profile

Beveled Profile

Concave Profile



Note: Dashed Lines Represent Inswing Vented Units; Solid Lines Represent  
Outswing Vented Units; Lines Converge At Hinge Side Of Vent

Graham Architectural Products reserves the right to change, add, cancel, remove or otherwise modify the details illustrated without prior notice.

1551 Mt. Rose Avenue, York, Pennsylvania 17403-2909 717.849.8100 Toll Free: 800/755-6274

0423 - GT77.07

Web Site: [www.grahamwindows.com](http://www.grahamwindows.com)

# Terrace Door Options

Inswing

Transoms & Sidelites

Series: GT7700

Manufacturing Code: GT7708

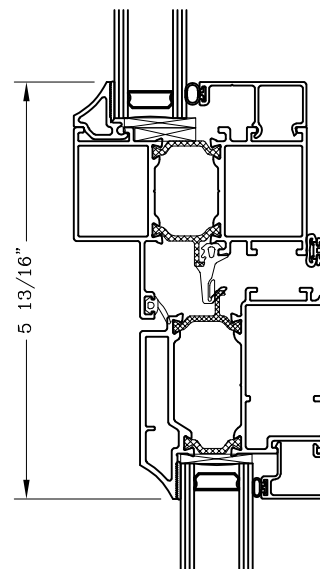
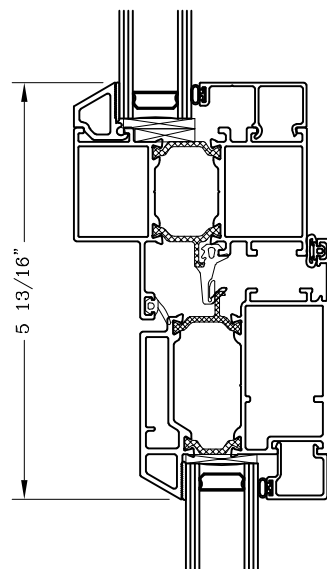
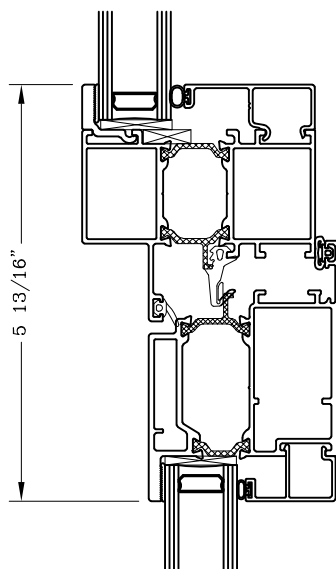
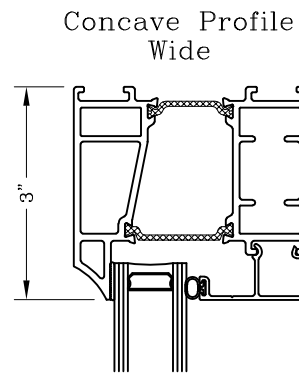
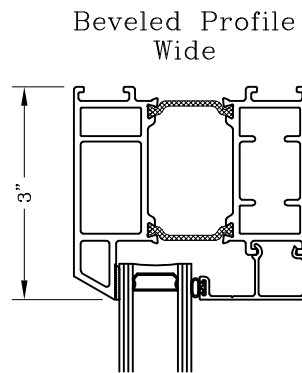
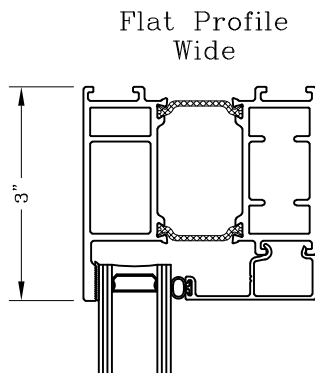
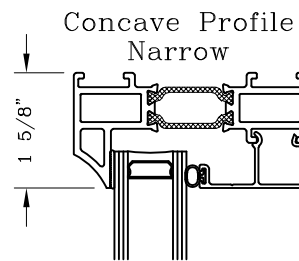
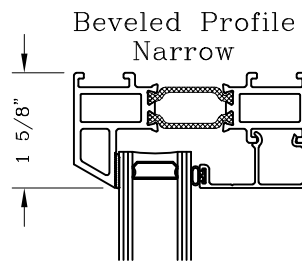
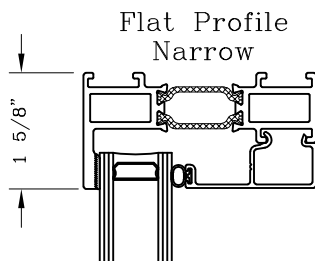
Drawing 1/2 Scale – For Custom Size Drawing Contact Graham

Note: Sealant Not Shown On Details. Refer To General Installation Instructions.



## Transom & Sidelite Options

Available in 2 3/4", 3", 3 1/4" & 3 3/8" Frame Depths  
(3 1/4" Frame Depth Transoms Shown)



Note: Dashed Lines Represent Inswing Vented Units; Solid Lines Represent  
Outswing Vented Units; Lines Converge At Hinge Side Of Vent

Graham Architectural Products reserves the right to change, add, cancel, remove or otherwise modify the details illustrated without prior notice.

1551 Mt. Rose Avenue, York, Pennsylvania 17403-2909 717.849.8100 Toll Free: 800/755-6274

0423 – GT77.08

Web Site: [www.grahamwindows.com](http://www.grahamwindows.com)



# French Terrace Door

## Inswing

### Astragal & Optional Muntins



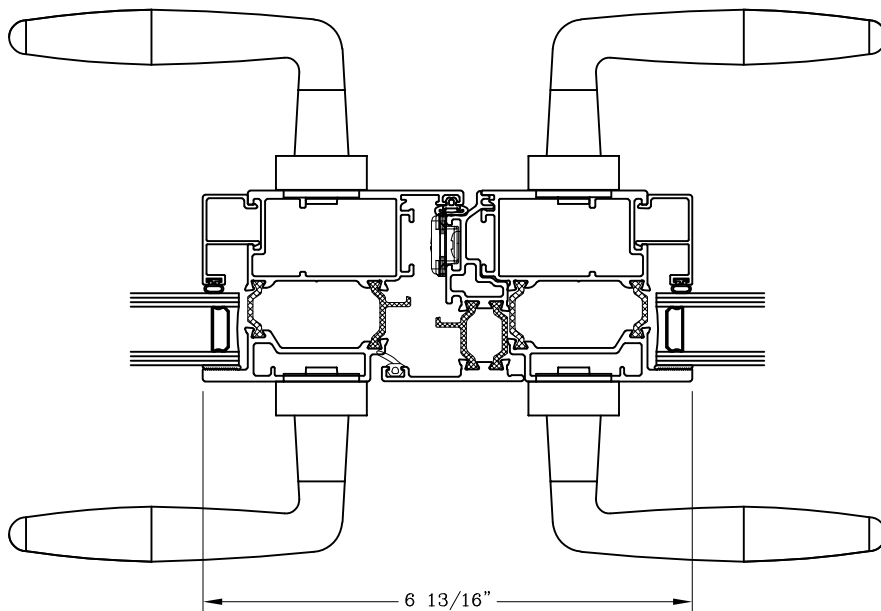
Series: GT7700      Manufacturing Code: GT7709

Drawing 1/2 Scale – For Custom Size Drawing Contact Graham

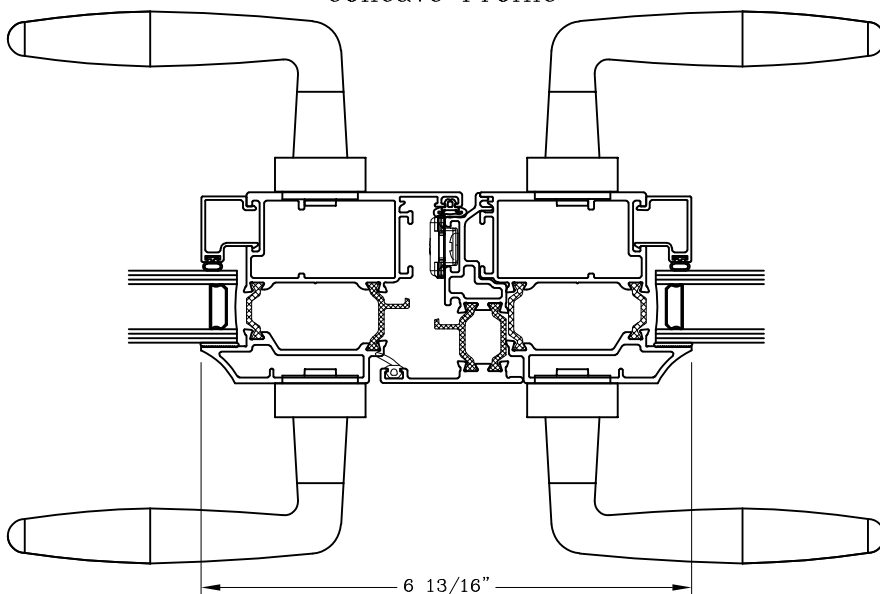
Note: Sealant Not Shown On Details. Refer To General Installation Instructions.

## French Door Astragal (See Page GT77.04 for Beveled Profile)

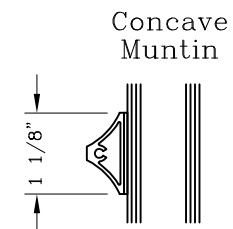
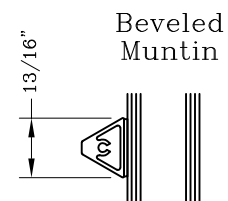
Flat Profile



Concave Profile



## Muntins Contact Engineering For Double or Triple Muntins



Note: Dashed Lines Represent Inswing Vented Units; Solid Lines Represent Outswing Vented Units; Lines Converge At Hinge Side Of Vent

Graham Architectural Products reserves the right to change, add, cancel, remove or otherwise modify the details illustrated without prior notice.

1551 Mt. Rose Avenue, York, Pennsylvania 17403-2909 717.849.8100 Toll Free: 800/755-6274

0423 - GT77.09

Web Site: [www.grahamwindows.com](http://www.grahamwindows.com)

Terrace Door - 2 3/4"  
 Outswing  
 Beveled

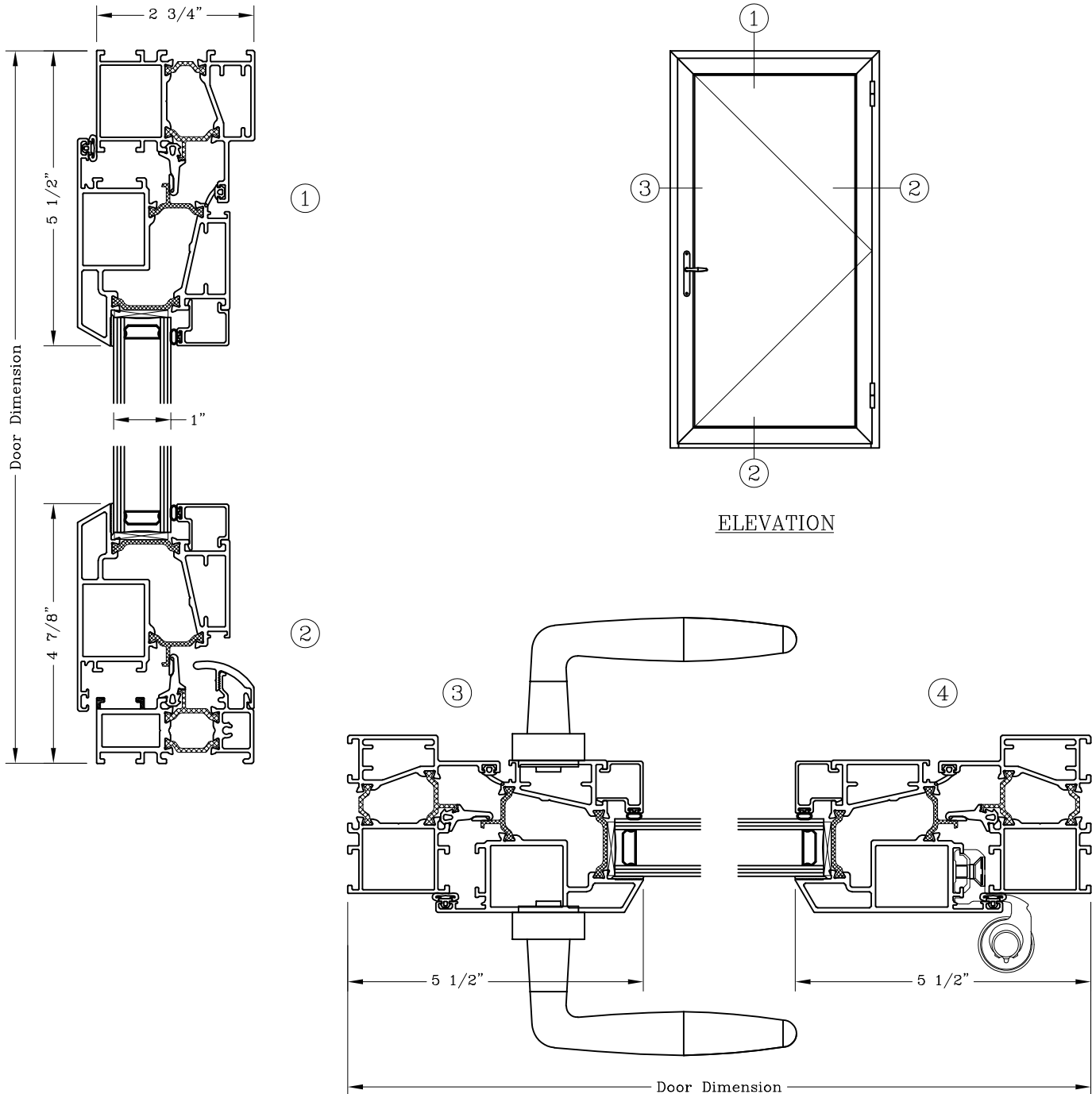


Series: GT7700

Manufacturing Code: GT7710

Drawing 1/2 Scale - For Custom Size Drawing Contact Graham

Note: Sealant Not Shown On Details. Consult Technical Services At Factory For Sealing Procedures.



Note: Dashed Lines Represent Inswing Vented Units; Solid Lines Represent Outswing Vented Units; Lines Converge At Hinge Side Of Vent  
 Graham Architectural Products reserves the right to change, add, cancel, remove or otherwise modify the details illustrated without prior notice.  
 1551 Mt. Rose Avenue, York, Pennsylvania 17403-2909 717.849.8100 Toll Free: 800/755-6274 0423 - GT77.10  
 Web Site: www.grahamwindows.com

# Terrace Door – 3 1/4” Outswing with Top Transom Beveled

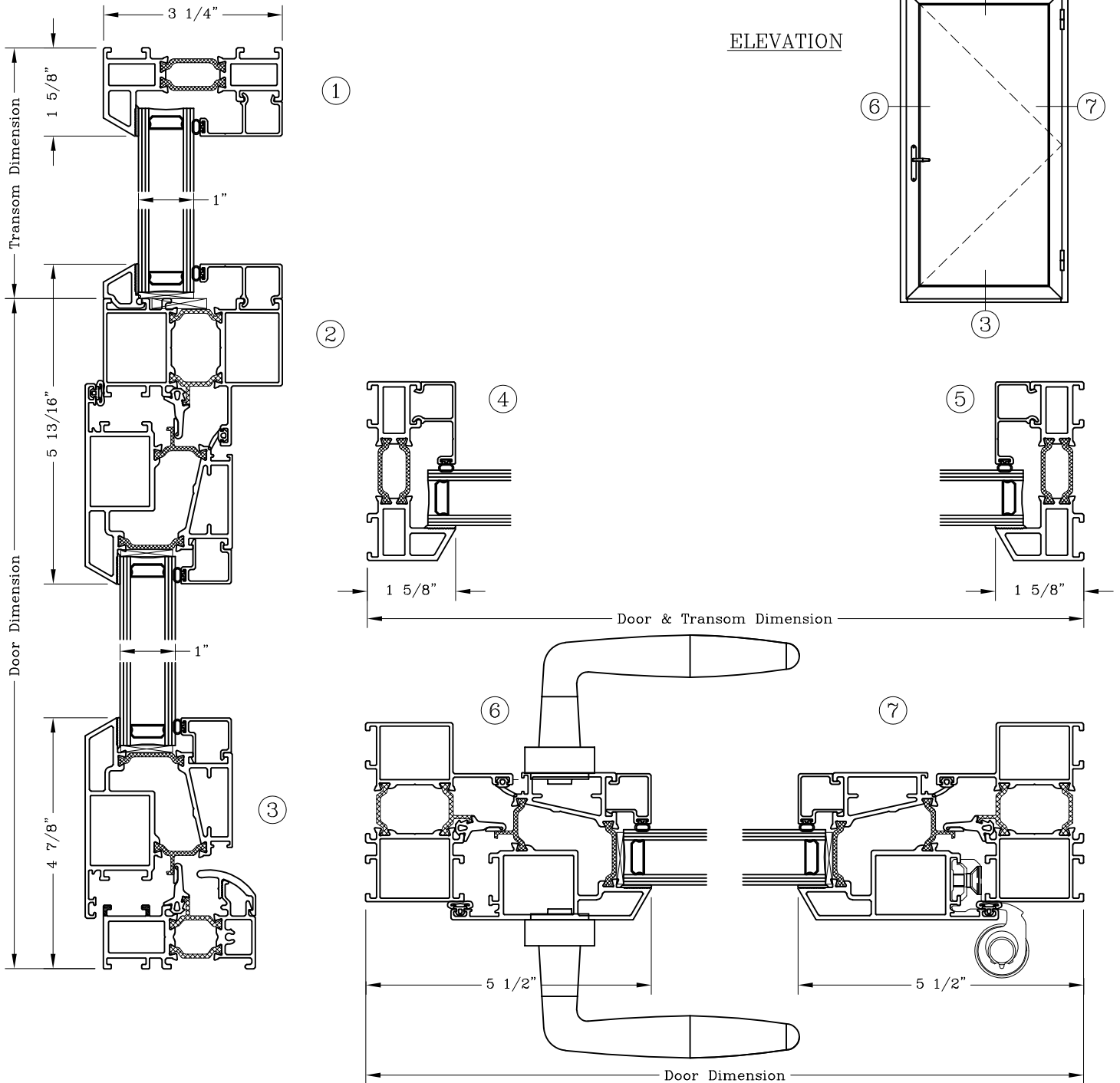


Series: GT7700

Manufacturing Code: GT7711

Drawing 1/2 Scale – For Custom Size Drawing Contact Graham

Note: Sealant Not Shown On Details. Consult Technical Services At Factory For Sealing Procedures.



Note: Dashed Lines Represent Inswing Vented Units; Solid Lines Represent Outswing Vented Units; Lines Converge At Hinge Side Of Vent

Graham Architectural Products reserves the right to change, add, cancel, remove or otherwise modify the details illustrated without prior notice.

1551 Mt. Rose Avenue, York, Pennsylvania 17403-2909 717.849.8100 Toll Free: 800/755-6274

0423 – GT77.11

Web Site: [www.grahamwindows.com](http://www.grahamwindows.com)

Terrace Door – 3 3/8”  
 Outswing with Sidelite  
 Beveled

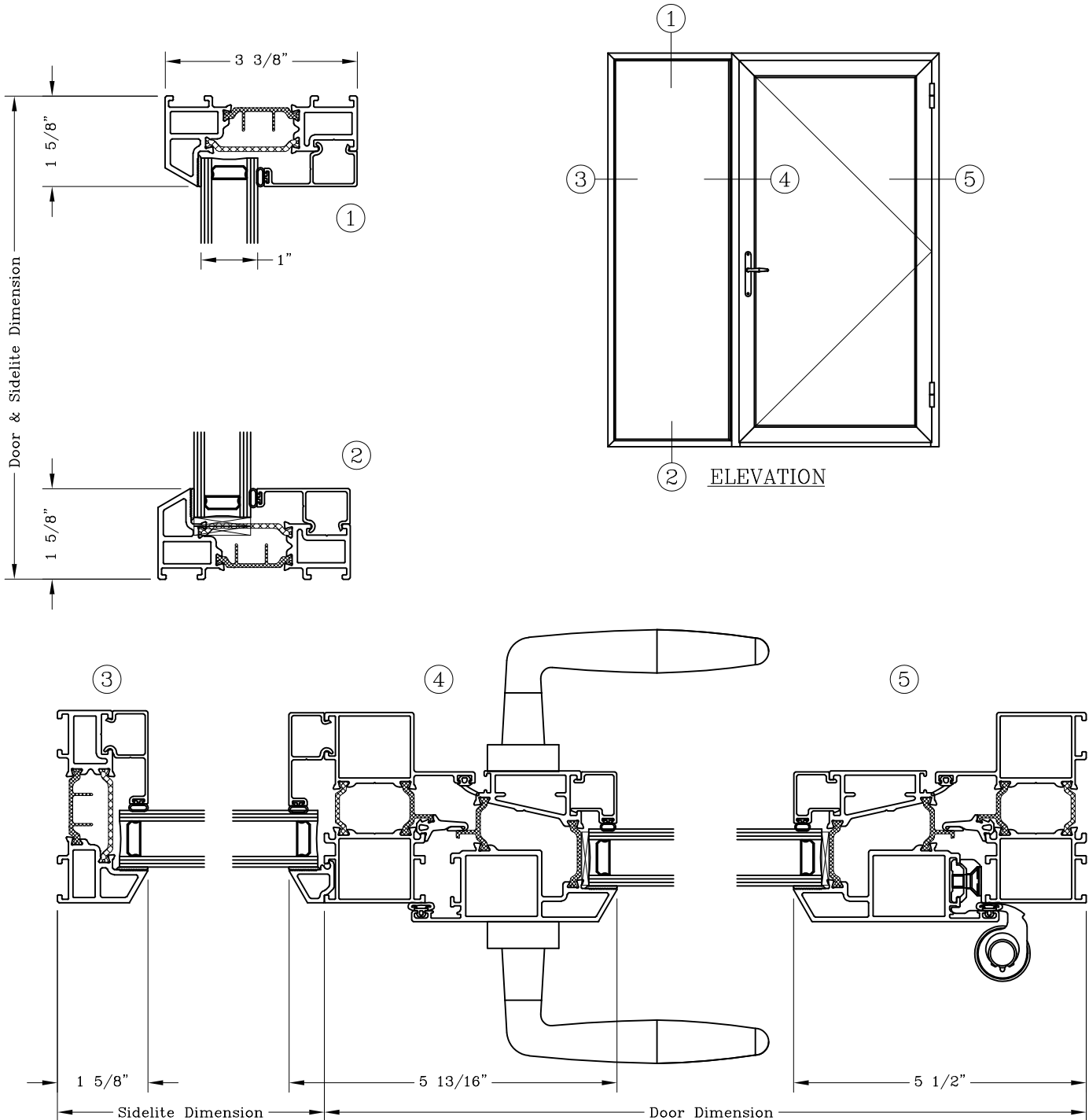


Series: GT7700

Manufacturing Code: GT7712

Drawing 1/2 Scale – For Custom Size Drawing Contact Graham

Note: Sealant Not Shown On Details. Refer To General Installation Instructions.



Note: Dashed Lines Represent Inswing Vented Units; Solid Lines Represent Outswing Vented Units; Lines Converge At Hinge Side Of Vent

Graham Architectural Products reserves the right to change, add, cancel, remove or otherwise modify the details illustrated without prior notice.

1551 Mt. Rose Avenue, York, Pennsylvania 17403-2909 717.849.8100 Toll Free: 800/755-6274

0423 – GT77.12

Web Site: [www.grahamwindows.com](http://www.grahamwindows.com)

# Terrace Door Options Outswing



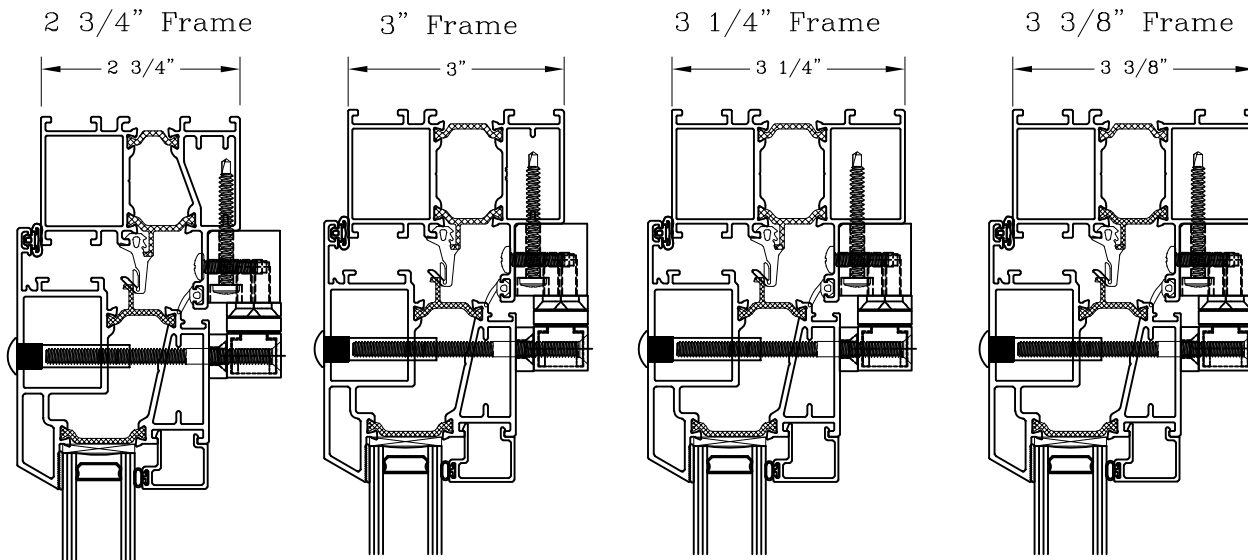
Series: GT7700

Manufacturing Code: GT7714

Drawing 1/2 Scale – For Custom Size Drawing Contact Graham

Note: Sealant Not Shown On Details. Refer To General Installation Instructions.

## Door Frame Depth Options (Shown with required Friction Arm at Door Leaf top rail) (See Engineering for other possible arm options)

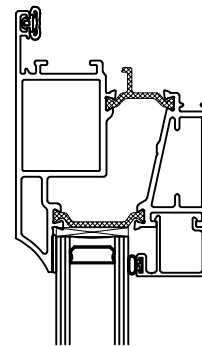
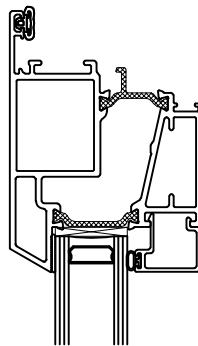
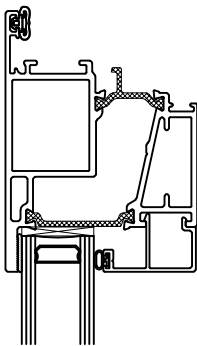


## Door Leaf Profile Options

Flat Profile

Beveled Profile

Concave Profile



Note: Dashed Lines Represent Inswing Vented Units; Solid Lines Represent Outswing Vented Units; Lines Converge At Hinge Side Of Vent  
Graham Architectural Products reserves the right to change, add, cancel, remove or otherwise modify the details illustrated without prior notice.

1551 Mt. Rose Avenue, York, Pennsylvania 17403-2909 717.849.8100 Toll Free: 800/755-6274

0423 - GT77.14

Web Site: [www.grahamwindows.com](http://www.grahamwindows.com)

# Terrace Door Options Outswing



Series: GT7700

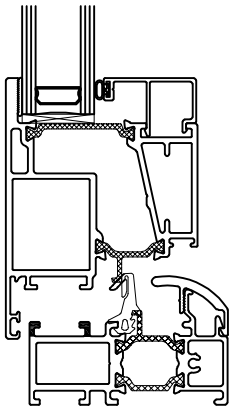
Manufacturing Code: GT7715

Drawing 1/2 Scale – For Custom Size Drawing Contact Graham

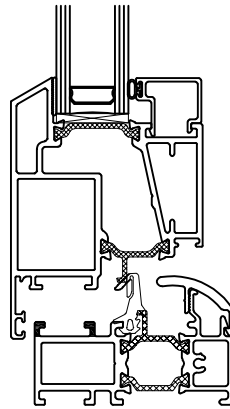
Note: Sealant Not Shown On Details. Refer To General Installation Instructions.

## Standard Door Threshold Option

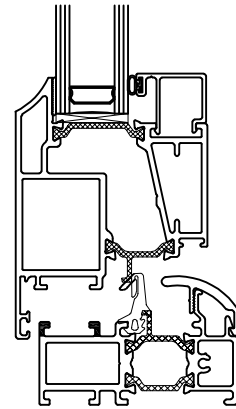
Flat Profile



Beveled Profile

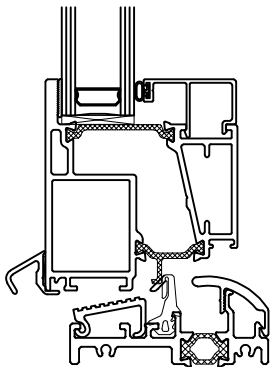


Concave Profile

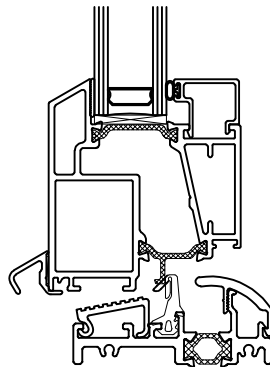


## Low Rise Door Threshold Option

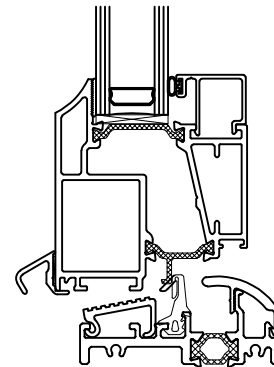
Flat Profile



Beveled Profile



Concave Profile



Note: Dashed Lines Represent Inswing Vented Units; Solid Lines Represent  
Outswing Vented Units; Lines Converge At Hinge Side Of Vent

Graham Architectural Products reserves the right to change, add, cancel, remove or otherwise modify the details illustrated without prior notice.

1551 Mt. Rose Avenue, York, Pennsylvania 17403-2909 717.849.8100 Toll Free: 800/755-6274

0423 – GT77.15

Web Site: [www.grahamwindows.com](http://www.grahamwindows.com)

# Terrace Door Options

Outswing

Bottom Rail Kick Plates

Series: GT7700

Manufacturing Code: GT7716

Drawing 1/2 Scale – For Custom Size Drawing Contact Graham

Note: Sealant Not Shown On Details. Refer To General Installation Instructions.

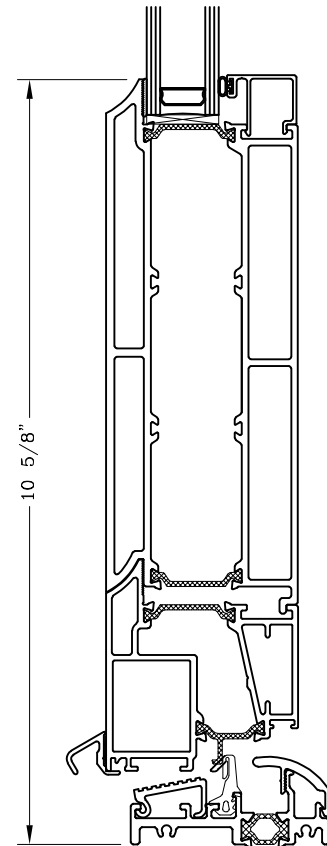
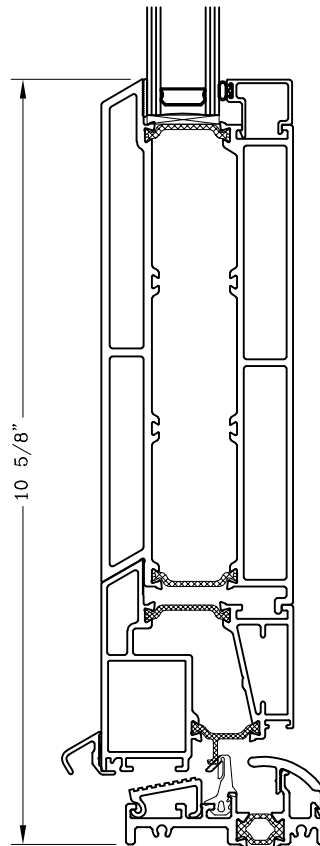
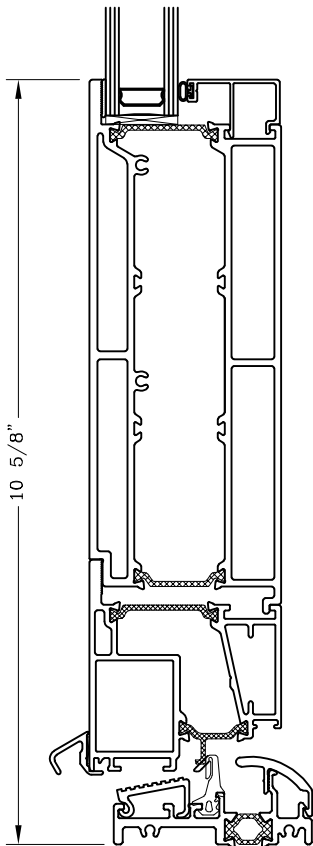


## Terrace Door Kick Plate Option

Flat Profile

Beveled Profile

Concave Profile



Note: Dashed Lines Represent Inswing Vented Units; Solid Lines Represent Outswing Vented Units; Lines Converge At Hinge Side Of Vent

Graham Architectural Products reserves the right to change, add, cancel, remove or otherwise modify the details illustrated without prior notice.

1551 Mt. Rose Avenue, York, Pennsylvania 17403-2909 717.849.8100 Toll Free: 800/755-6274

0423 – GT77.16

Web Site: [www.grahamwindows.com](http://www.grahamwindows.com)

# Terrace Door Options

## Outswing



## Transoms & Sidelites

Series: GT7700

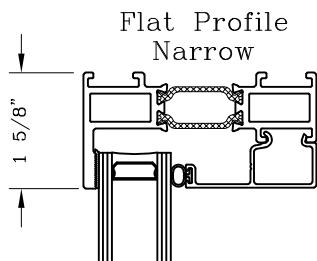
Manufacturing Code: GT7717

Drawing 1/2 Scale – For Custom Size Drawing Contact Graham

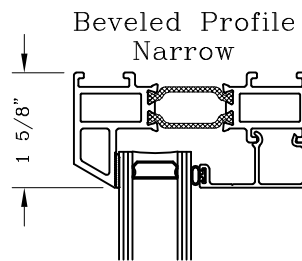
Note: Sealant Not Shown On Details. Refer To General Installation Instructions.

### Transom & Sidelite Options

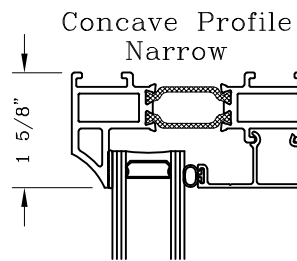
Available in 2 3/4", 3", 3 1/4" & 3 3/8" Frame Depths  
(3 1/4" Frame Depth Transoms Shown)



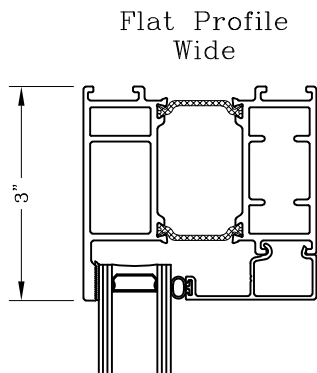
Flat Profile  
Narrow



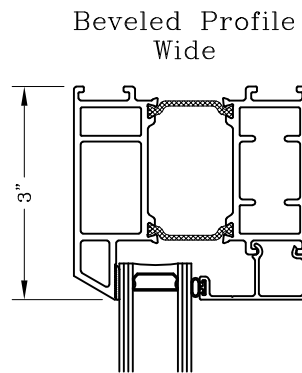
Beveled Profile  
Narrow



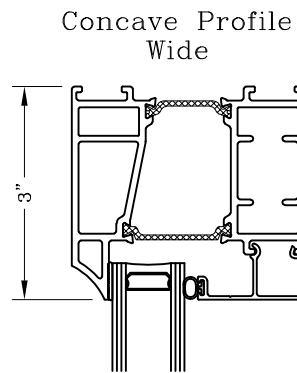
Concave Profile  
Narrow



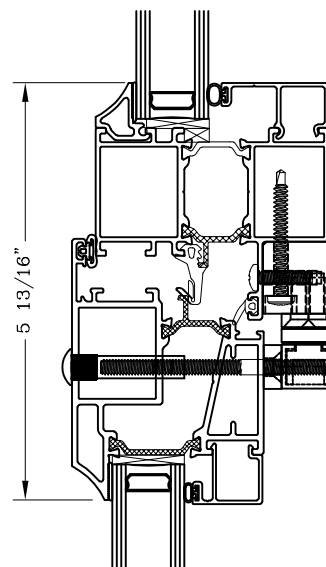
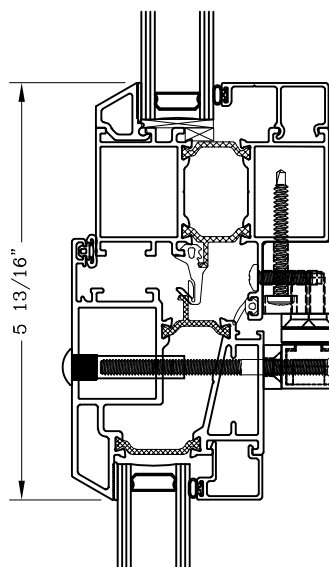
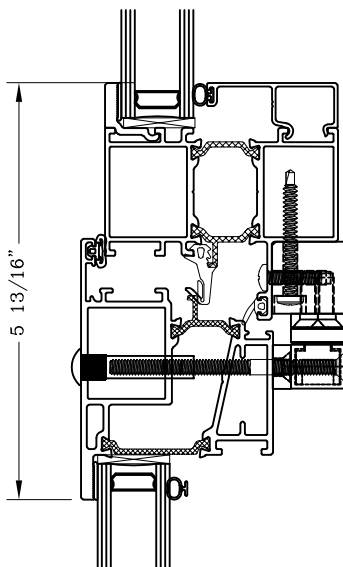
Flat Profile  
Wide



Beveled Profile  
Wide



Concave Profile  
Wide



Note: Dashed Lines Represent Inswing Vented Units; Solid Lines Represent Outswing Vented Units; Lines Converge At Hinge Side Of Vent

Graham Architectural Products reserves the right to change, add, cancel, remove or otherwise modify the details illustrated without prior notice.

1551 Mt. Rose Avenue, York, Pennsylvania 17403-2909 717.849.8100 Toll Free: 800/755-6274

0423 – GT77.17

Web Site: [www.grahamwindows.com](http://www.grahamwindows.com)