

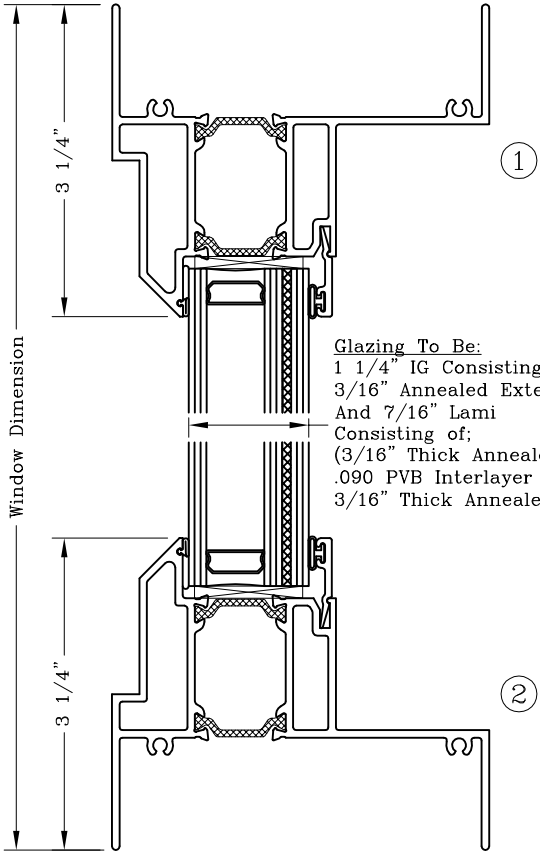
Hurricane Impact – 4”
 Single Plane Fixed
 Large Missile Impact



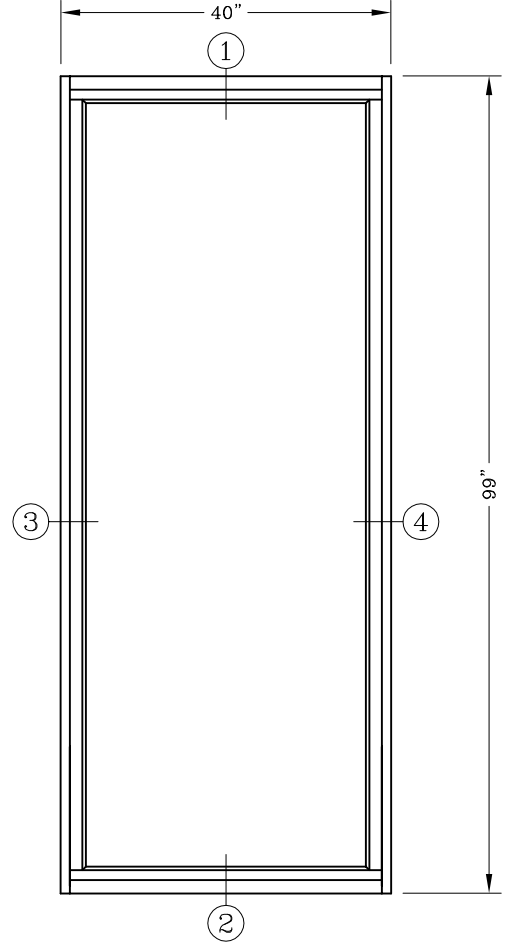
Series: S1400 Manufacturing Code: S1401

Drawing 1/2 Scale – For Custom Size Drawing Contact Graham

Note: Sealant Not Shown On Details. Consult Technical Services At Factory For Sealing Procedures.

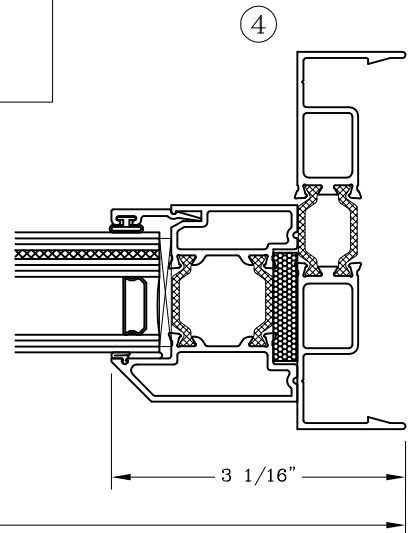
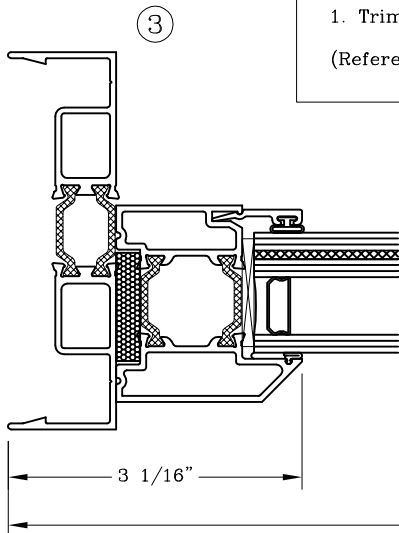


Glazing To Be:
 1 1/4" IG Consisting Of;
 3/16" Annealed Exterior,
 And 7/16" Lami
 Consisting of;
 (3/16" Thick Annealed Exterior,
 .090 PVB Interlayer (Saflex),
 3/16" Thick Annealed Interior)



ELEVATION
 40" x 99" Tested

INSTALLATION TYPES
 1. Trim And Clip with Pre-Set Panning
 (Reference Test Report #g1678.02-109-44)



Hurricane Impact – 4”
 Single Plane Fixed
 Small Missile Impact

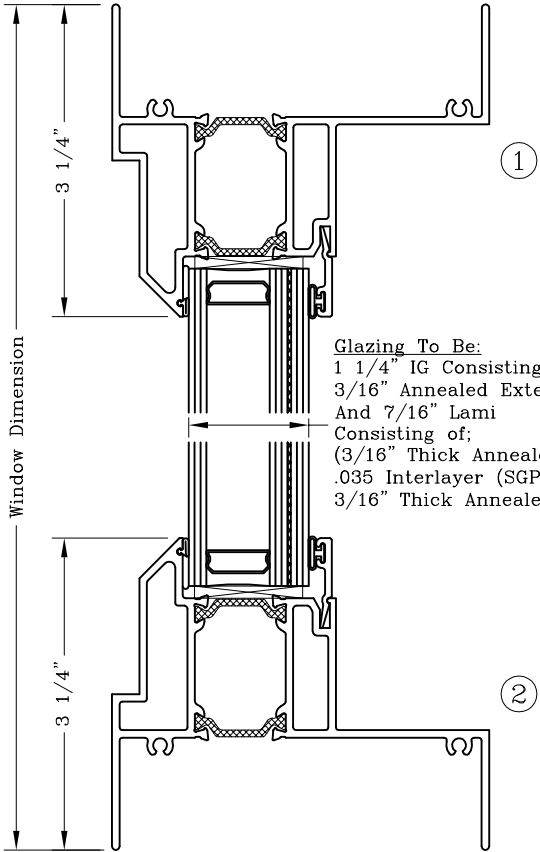


Series: S1400

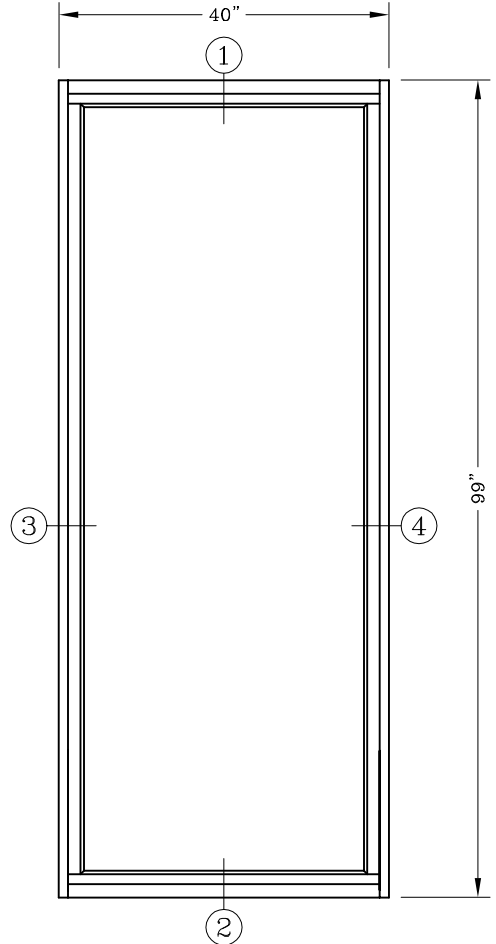
Manufacturing Code: S1402

Drawing 1/2 Scale – For Custom Size Drawing Contact Graham

Note: Sealant Not Shown On Details. Consult Technical Services At Factory For Sealing Procedures.



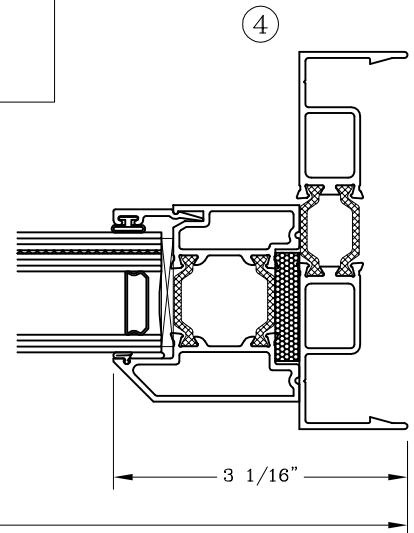
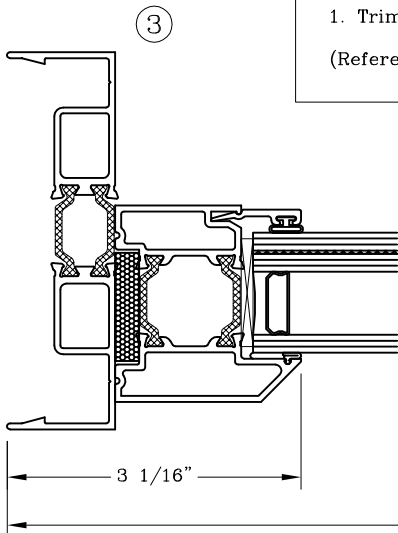
Glazing To Be:
 1 1/4" IG Consisting Of;
 3/16" Annealed Exterior,
 And 7/16" Lami
 Consisting of;
 (3/16" Thick Annealed Exterior,
 .035 Interlayer (SGP),
 3/16" Thick Annealed Interior)



ELEVATION
 40" x 99" Tested

INSTALLATION TYPES

- 1. Trim And Clip
 (Reference Test Report #g1678.02-109-44)



Hurricane Impact – 4”
 Single Plane
 Large Missile

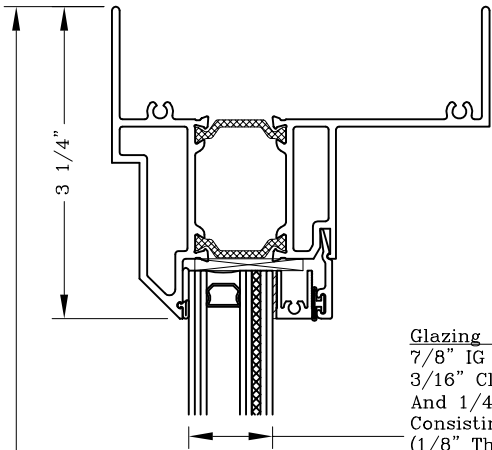


Series: S1400

Manufacturing Code: S1411

Drawing 1/2 Scale – For Custom Size Drawing Contact Graham

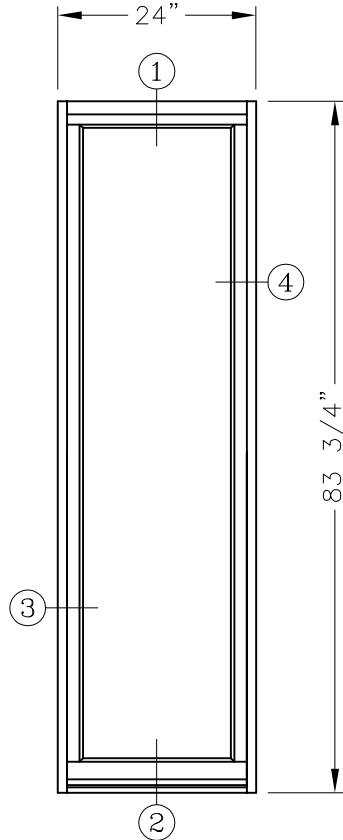
Note: Sealant Not Shown On Details. Consult Technical Services At Factory For Sealing Procedures.



Glazing To Be:
 7/8" IG Consisting Of;
 3/16" Clear Tempered Exterior,
 And 1/4 Lami
 Consisting of;
 (1/8" Thick Heat Strengthened
 Exterior, .090
 Interlayer (SGP),
 1/8" Thick Heat Strengthened
 Interior)

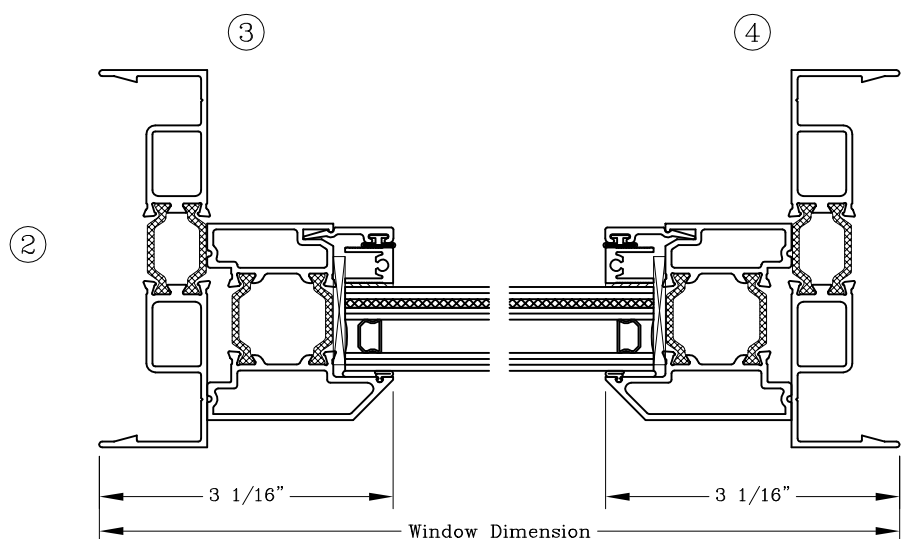
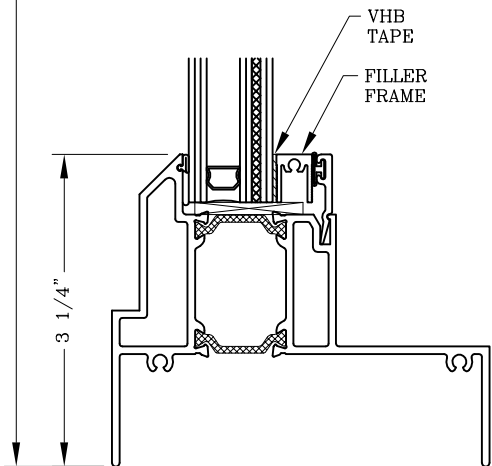
INSTALLATION
 TYPES

1. Trim And Clip
 (Reference Test Report
 #g1729.02-109-44)



ELEVATION
 24" x 83 3/4" Tested

Window Dimension



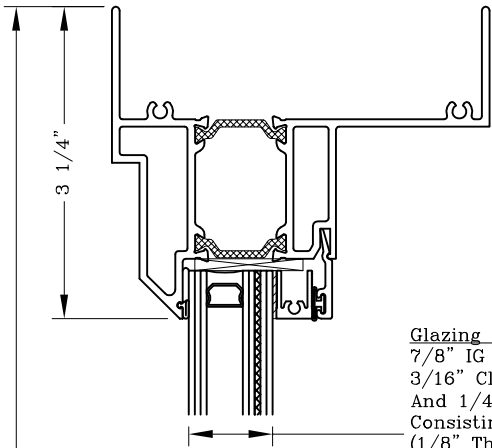
Hurricane Impact – 4”
 Single Plane
 Small Missile
 Series: S1400



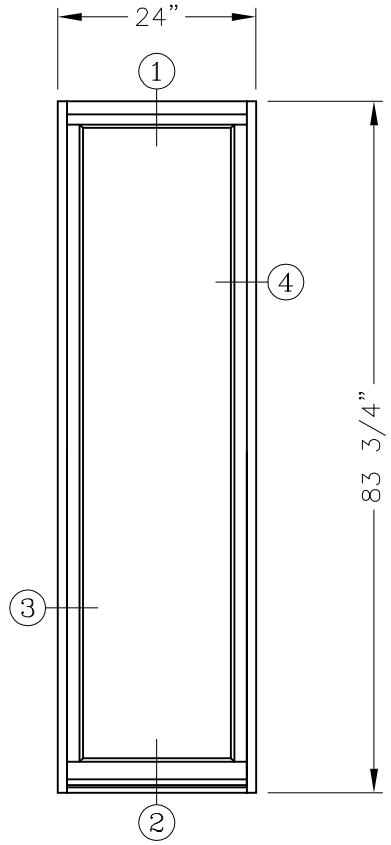
Manufacturing Code: S1412

Drawing 1/2 Scale – For Custom Size Drawing Contact Graham

Note: Sealant Not Shown On Details. Consult Technical Services At Factory For Sealing Procedures.



Glazing To Be:
 7/8" IG Consisting Of;
 3/16" Clear Tempered Exterior,
 And 1/4 Lami
 Consisting of;
 (1/8" Thick Annealed
 Exterior, .060 PVB
 Interlayer,
 1/8" Thick Annealed
 Interior)



ELEVATION
 24" x 83 3/4" Tested

INSTALLATION
 TYPES
 1. Trim And Clip
 (Reference Test Report
 #g1729.02-109-44)

Window Dimension

