

Fixed Historic - 4"

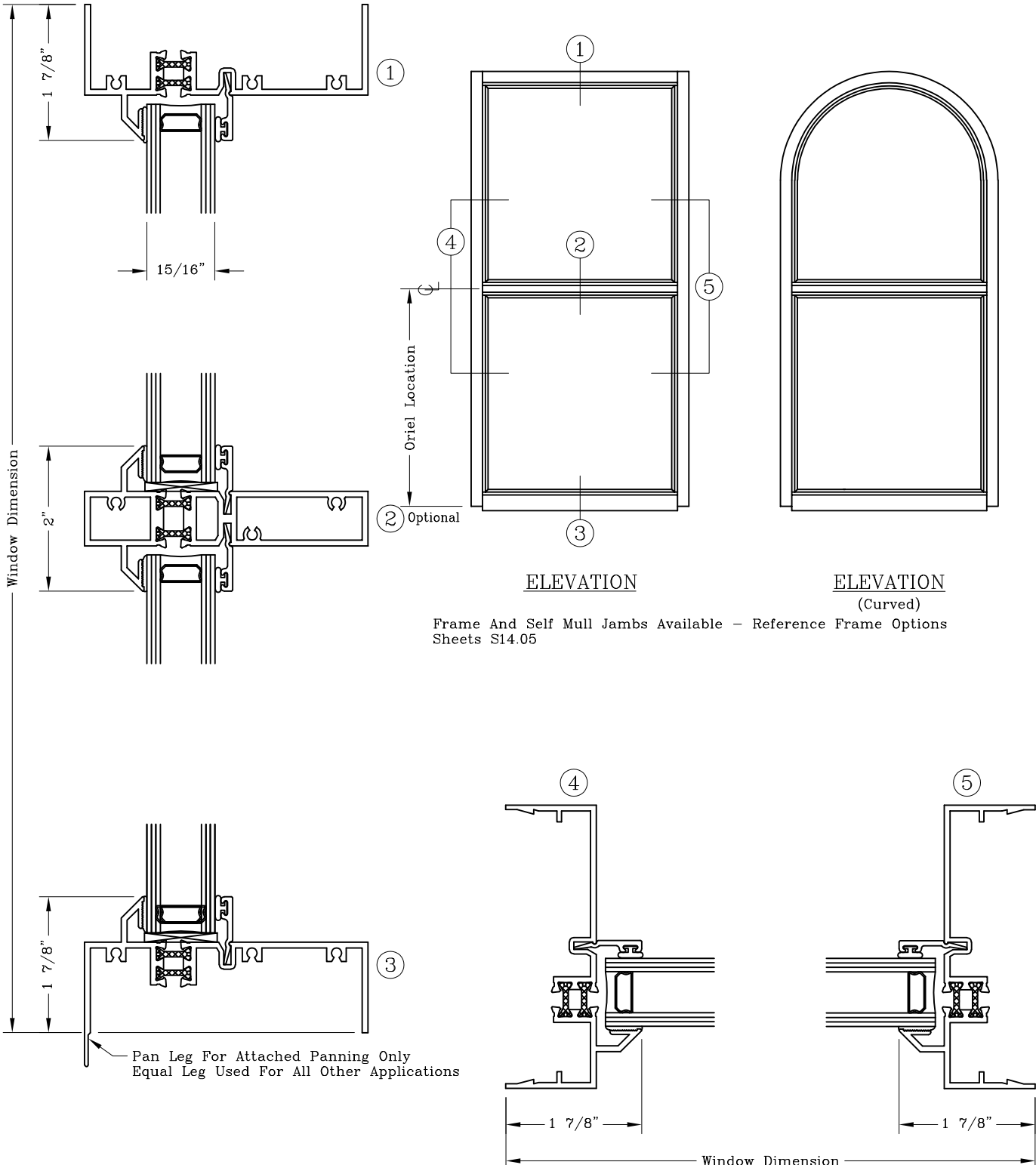


Series: S1400

Manufacturing Code: S1401

Drawing 1/2 Scale - For Custom Size Drawing Contact Graham

Note: Sealant Not Shown On Details. Refer To General Installation Instructions.



ELEVATION
ELEVATION (Curved)
Frame And Self Mull Jamb's Available - Reference Frame Options Sheets S14.05

Fixed Historic - 4" Frame Options

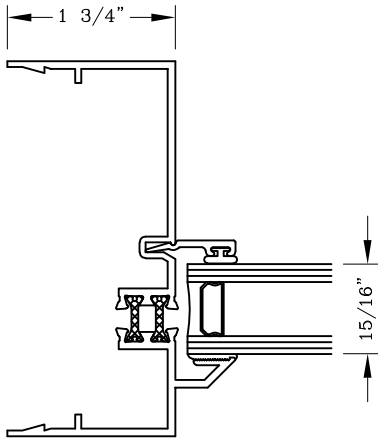


Series: S1400

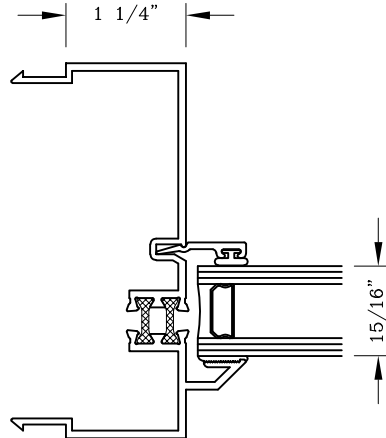
Manufacturing Code: S1405

Drawing 1/2 Scale - For Custom Size Drawing Contact Graham

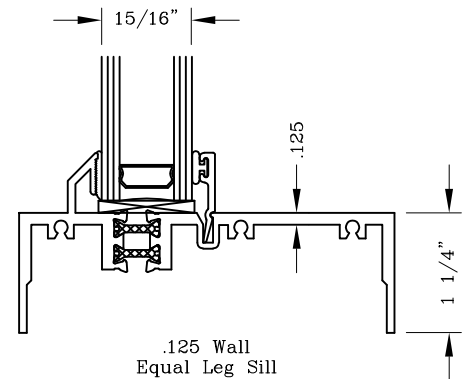
Note: Sealant Not Shown On Details. Refer To General Installation Instructions.



.080 Wall
Extended Frame
#140336



.080 Wall
Self Mull Frame
#140337



.125 Wall
Equal Leg Sill
#140322

Fixed Historic - 4" Glazing Options

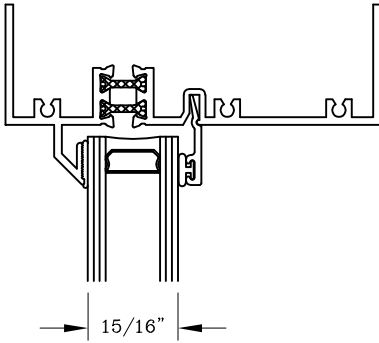


Series: S1400

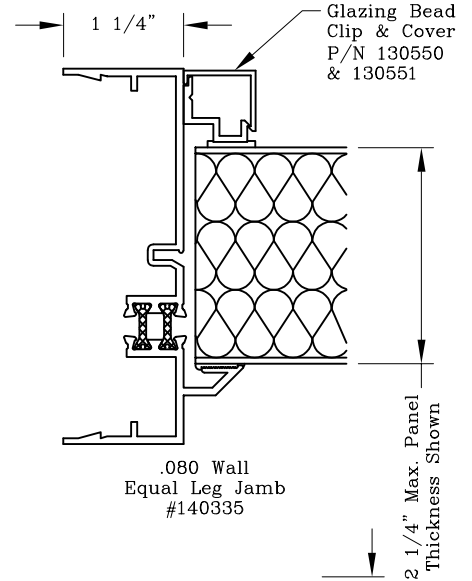
Manufacturing Code: S1406

Drawing 1/2 Scale - For Custom Size Drawing Contact Graham

Note: Sealant Not Shown On Details. Refer To General Installation Instructions.

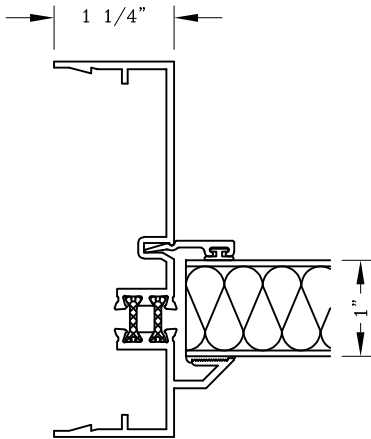


15/16" IG
Glazing Bead
#200090



.080 Wall
Equal Leg Jamb
#140335

2 1/4" Max. Panel
Thickness Shown



.080 Wall
Equal Leg Jamb
#140335

1 1/4"

Fixed Historic – 4” Intermediate Options

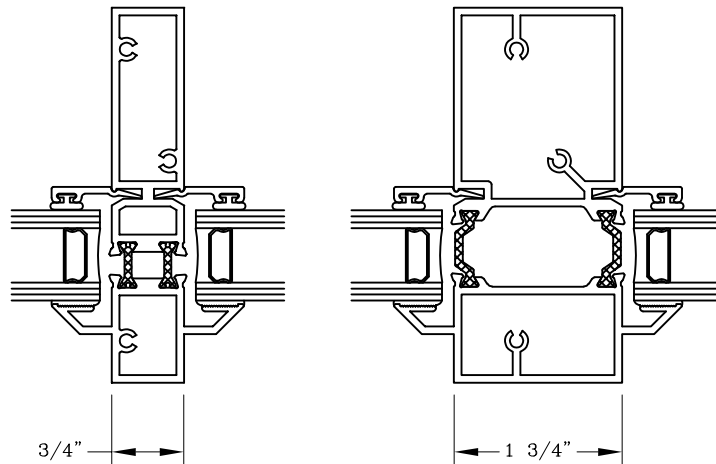


Series: S1400

Manufacturing Code: S1407

Drawing 1/2 Scale – For Custom Size Drawing Contact Graham

Note: Sealant Not Shown On Details. Refer To General Installation Instructions.



Vertical Intermediate
#140339

Vertical Intermediate
#140340