

# Dual Casement Vents – 3 1/4” Horizontals

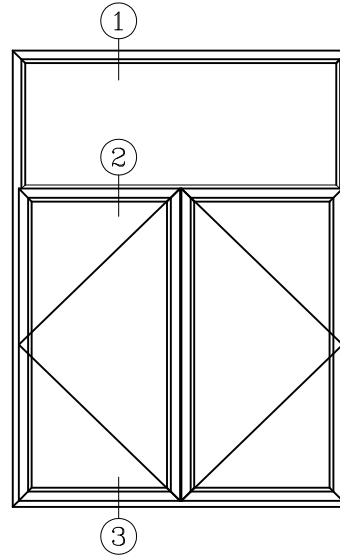
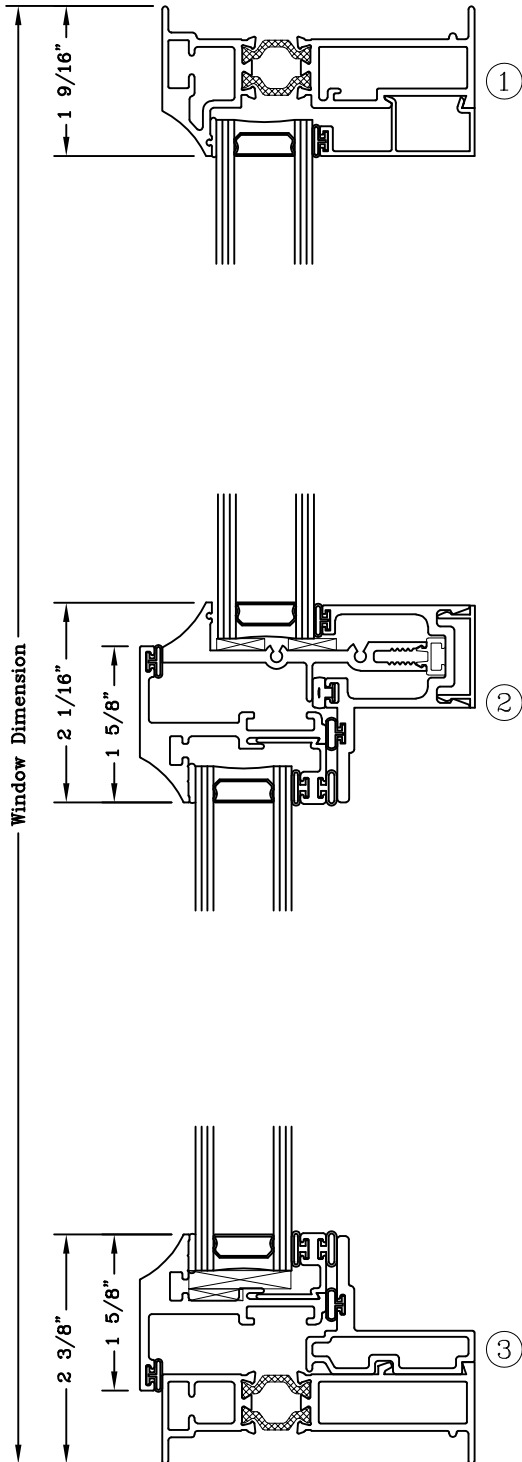


Series: SR6700

Manufacturing Code: SR6708

Drawing 1/2 Scale – For Custom Size Drawing Contact Graham

Note: Sealant Not Shown On Details. Refer To General Installation Instructions.



ELEVATION

Graham Architectural Products reserves the right to change, add, cancel, remove or otherwise modify the details illustrated without prior notice.

1551 Mt. Rose Avenue, York, Pennsylvania 17403-2909 717.849.8100 Toll Free: 800/755-6274

0223 – SR67.08

Web Site: [www.grahamwindows.com](http://www.grahamwindows.com)

# Dual Casement Vents – 3 1/4” Verticals

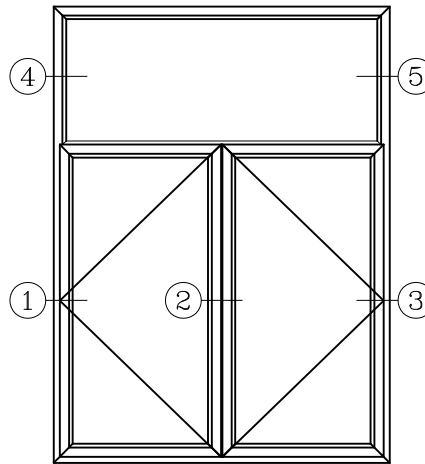


Series: SR6700

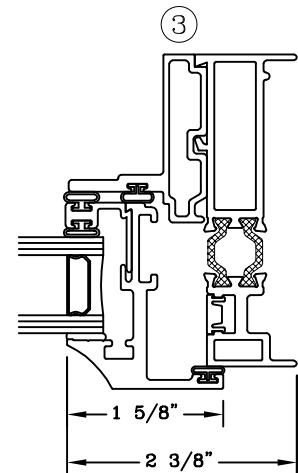
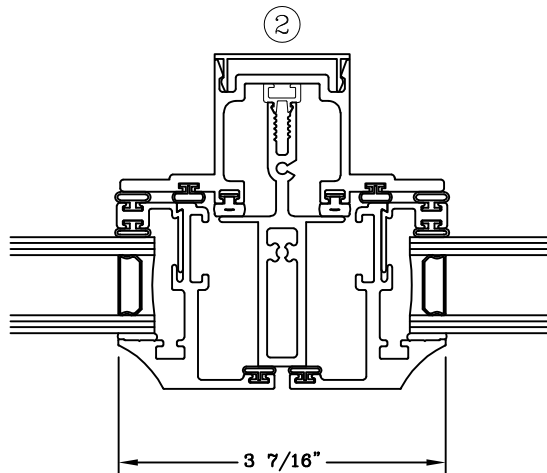
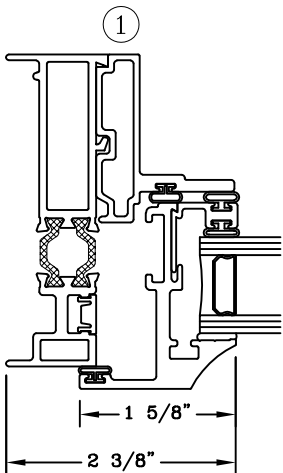
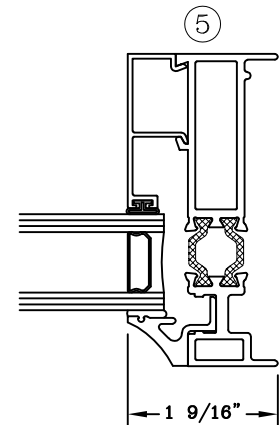
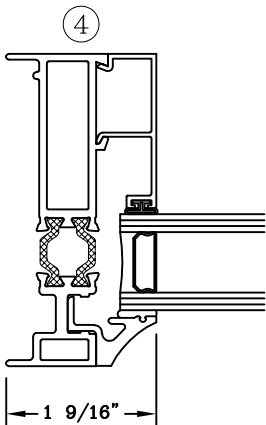
Manufacturing Code: SR6709

Drawing 1/2 Scale – For Custom Size Drawing Contact Graham

Note: Sealant Not Shown On Details. Refer To General Installation Instructions.



ELEVATION



Window Dimension

Graham Architectural Products reserves the right to change, add, cancel, remove or otherwise modify the details illustrated without prior notice.

1551 Mt. Rose Avenue, York, Pennsylvania 17403-2909 717.849.8100 Toll Free: 800/755-6274

0223 – SR67.09

Web Site: [www.grahamwindows.com](http://www.grahamwindows.com)

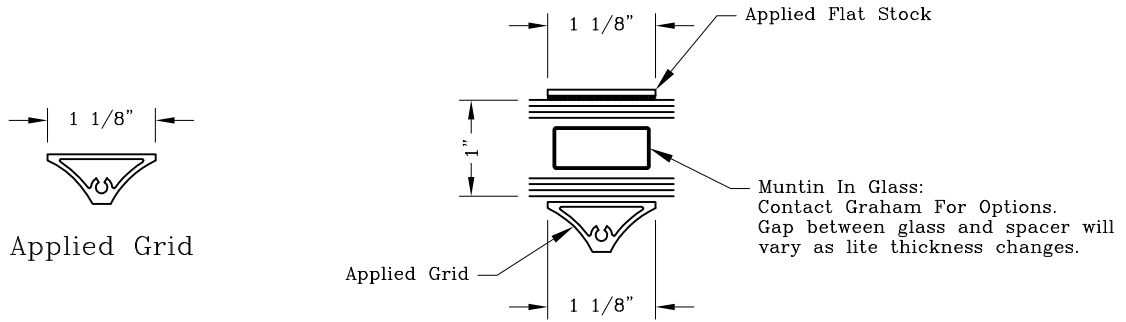
# Grid And True Muntin Options



Series: SR6700 Manufacturing Code: SR6710

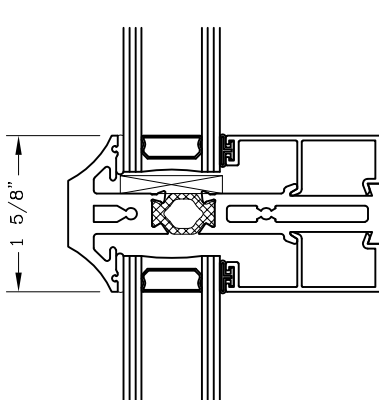
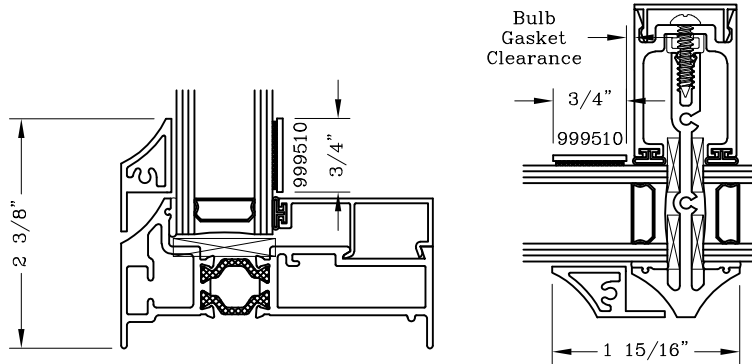
Drawing 1/2 Scale – For Custom Size Drawing Contact Graham

Note: Sealant Not Shown On Details. Refer To General Installation Instructions.

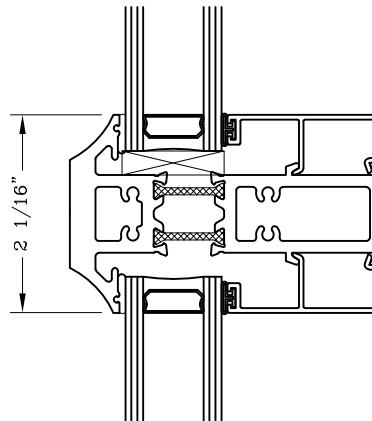


Triple Grid  
(1" IG with 1/4"-1/4" Lites Shown)

## Vent Sightline Applied Adapter



Fixed/Fixed Intermediate  
P/N 675055



Fixed/Fixed Intermediate  
P/N 675056

Graham Architectural Products reserves the right to change, add, cancel, remove or otherwise modify the details illustrated without prior notice.

1551 Mt. Rose Avenue, York, Pennsylvania 17403-2909 717.849.8100 Toll Free: 800/755-6274

Web Site: [www.grahamwindows.com](http://www.grahamwindows.com)

0223 - SR67.10

# Casement Vent – 3 1/4” Single – Concaved Profile

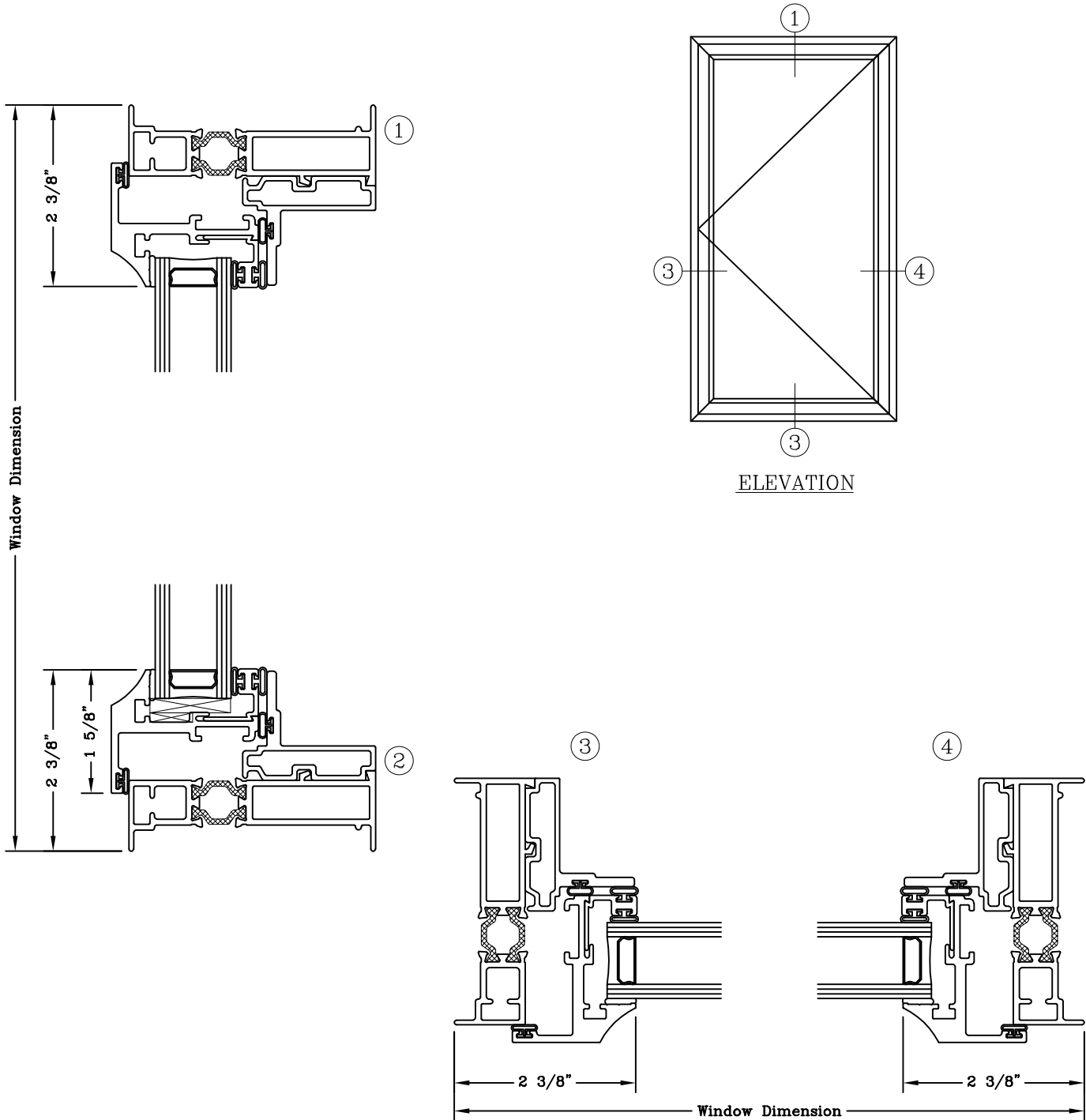


Series: SR6700

Manufacturing Code: SR6711

Drawing 1/2 Scale – For Custom Size Drawing Contact Graham

Note: Sealant Not Shown On Details. Refer To General Installation Instructions.



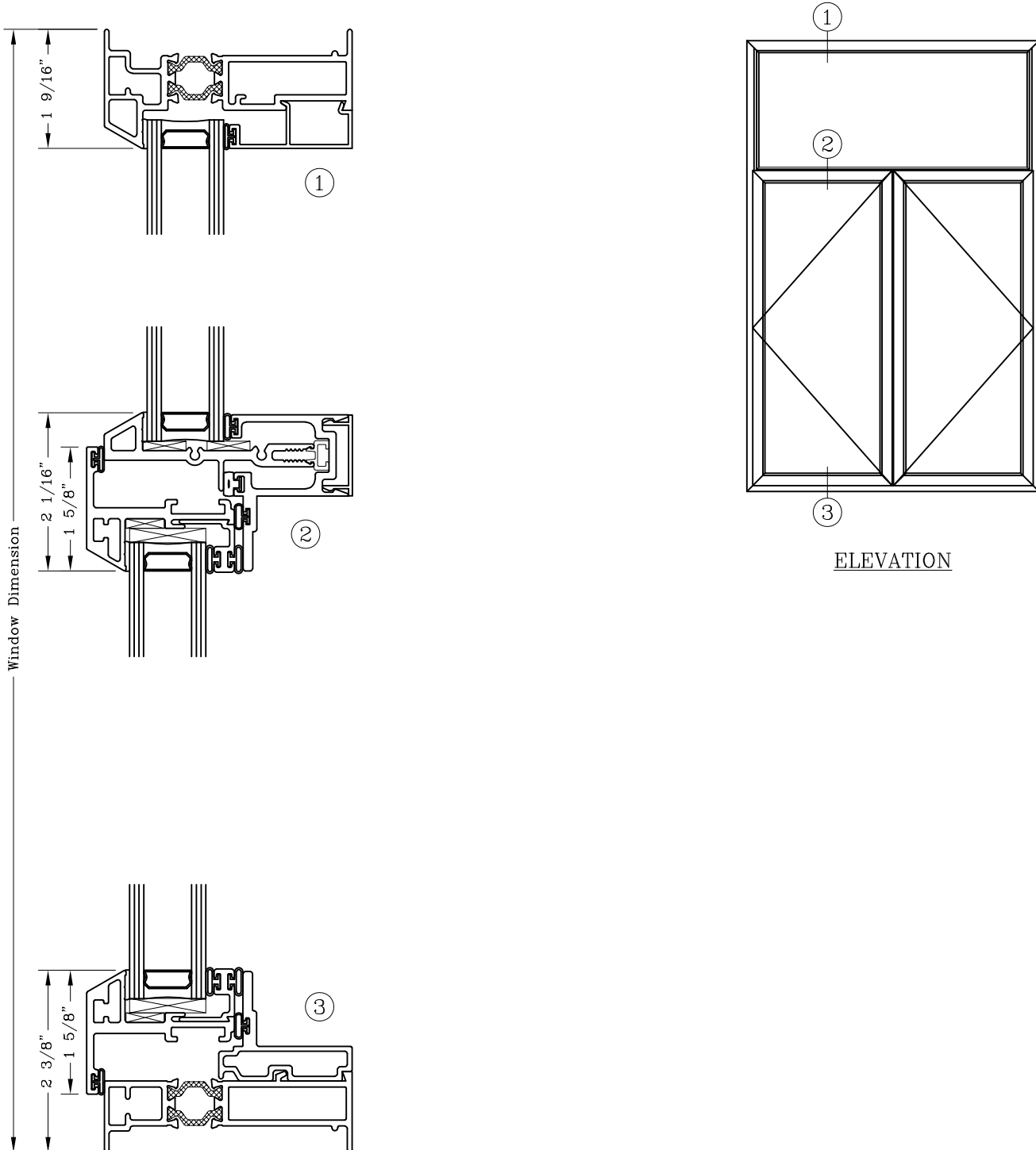
# Dual Casement Vents – 3 1/4” Horizontals



Series: SR6700B      Manufacturing Code: SR67B08

Drawing 1/2 Scale – For Custom Size Drawing Contact Graham

Note: Sealant Not Shown On Details. Refer To General Installation Instructions.



Graham Architectural Products reserves the right to change, add, cancel, remove or otherwise modify the details illustrated without prior notice.

1551 Mt. Rose Avenue, York, Pennsylvania 17403-2909 717.849.8100 Toll Free: 800/755-6274 0223 – SR67B.08

Web Site: [www.grahamwindows.com](http://www.grahamwindows.com)

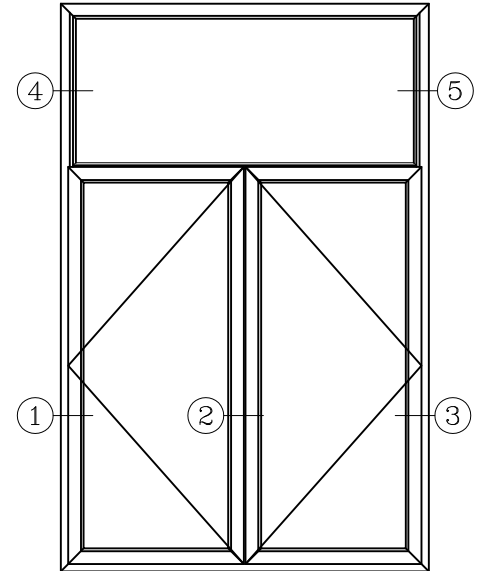
# Dual Casement Vents – 3 1/4” Verticals



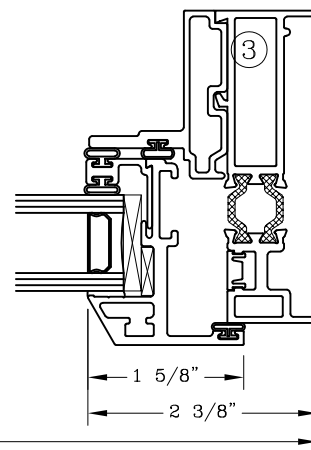
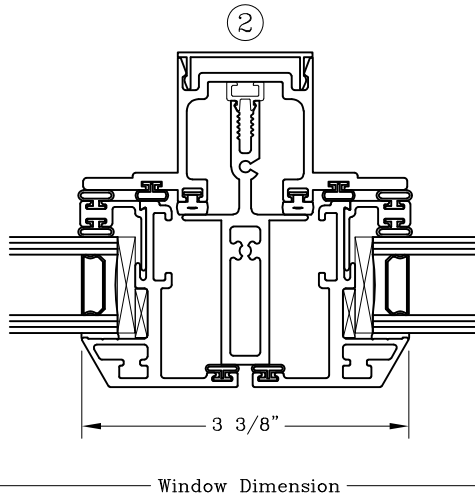
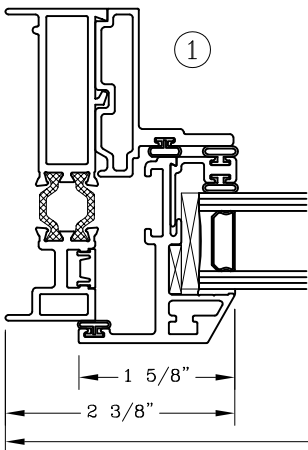
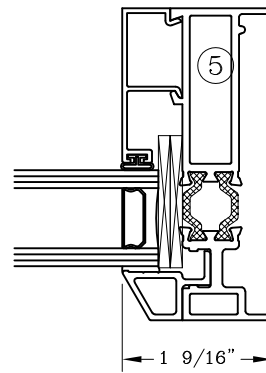
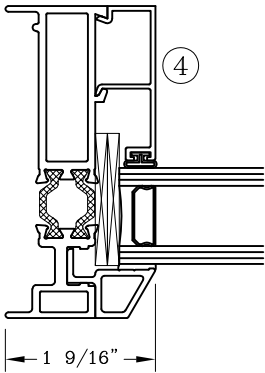
Series: SR6700B      Manufacturing Code: SR67B09

Drawing 1/2 Scale – For Custom Size Drawing Contact Graham

Note: Sealant Not Shown On Details. Refer To General Installation Instructions.



ELEVATION



Window Dimension

Graham Architectural Products reserves the right to change, add, cancel, remove or otherwise modify the details illustrated without prior notice.

1551 Mt. Rose Avenue, York, Pennsylvania 17403-2909 717.849.8100 Toll Free: 800/755-6274 0223 – SR67B.09  
Web Site: [www.grahamwindows.com](http://www.grahamwindows.com)

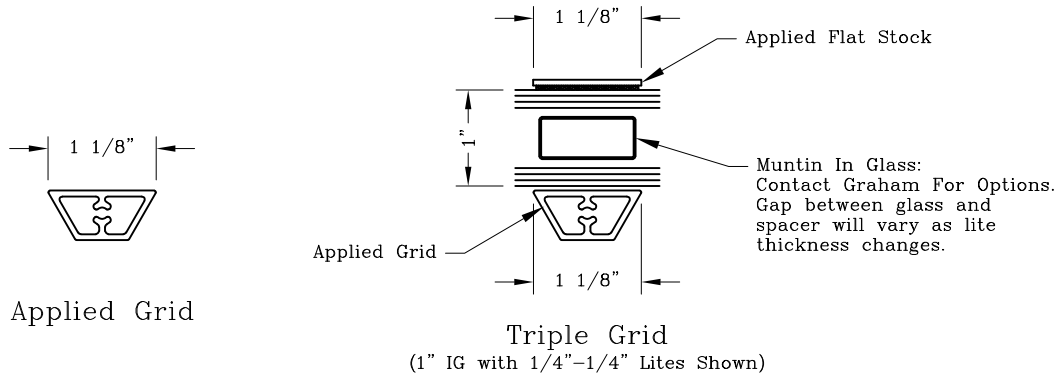
# Grid Options



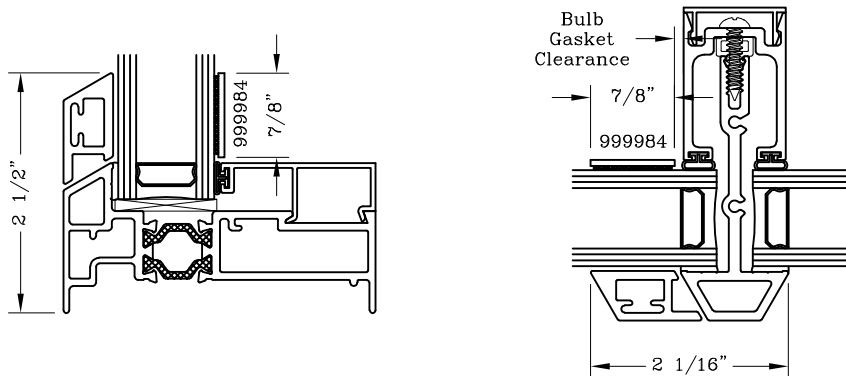
Series: SR6700B      Manufacturing Code: SR67B10

Drawing 1/2 Scale – For Custom Size Drawing Contact Graham

Note: Sealant Not Shown On Details. Refer To General Installation Instructions.



Vent Sightline Applied Adapter  
(Note: Vent Sightline Adapters Are Tape Applied To Lite)



Graham Architectural Products reserves the right to change, add, cancel, remove or otherwise modify the details illustrated without prior notice.

1551 Mt. Rose Avenue, York, Pennsylvania 17403-2909 717.849.8100 Toll Free: 800/755-6274 0223 – SR67B.10

Web Site: [www.grahamwindows.com](http://www.grahamwindows.com)

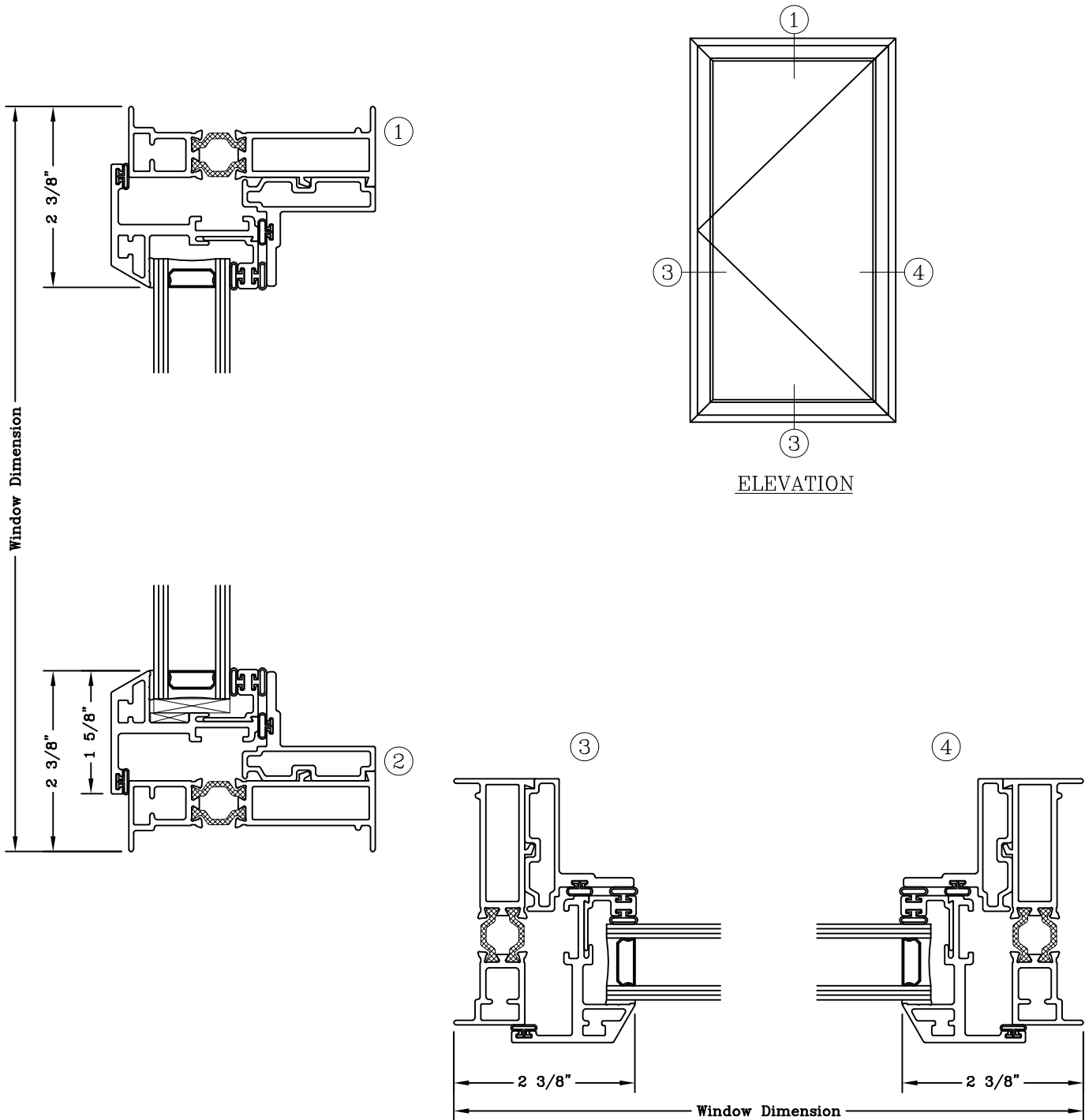
# Casement Vent – 3 1/4” Single – Beveled Profile



Series: SR6700B      Manufacturing Code: SR67B11

Drawing 1/2 Scale – For Custom Size Drawing Contact Graham

Note: Sealant Not Shown On Details. Refer To General Installation Instructions.



Graham Architectural Products reserves the right to change, add, cancel, remove or otherwise modify the details illustrated without prior notice.

1551 Mt. Rose Avenue, York, Pennsylvania 17403-2909 717.849.8100 Toll Free: 800/755-6274

0223 – SR67B.11

Web Site: [www.grahamwindows.com](http://www.grahamwindows.com)



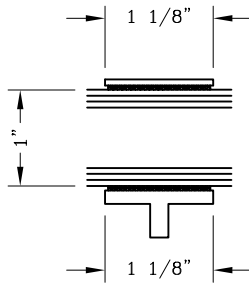
# Grid Options



Series: SR6700T      Manufacturing Code: SR67T10

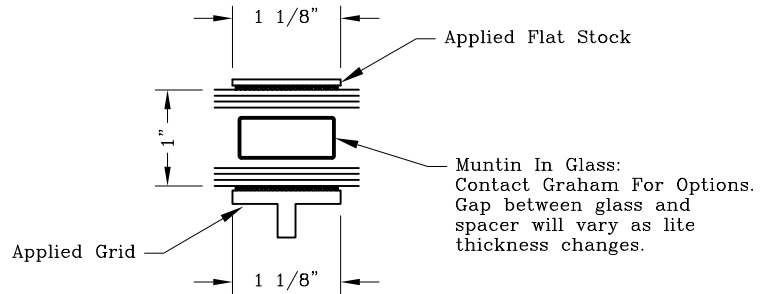
Drawing 1/2 Scale – For Custom Size Drawing Contact Graham

Note: Sealant Not Shown On Details. Refer To General Installation Instructions.



Applied Grid

(Note: Applied Grids Are Tape Applied To Lite)

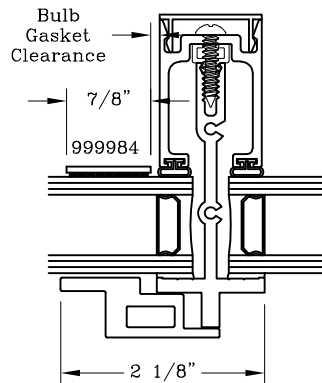
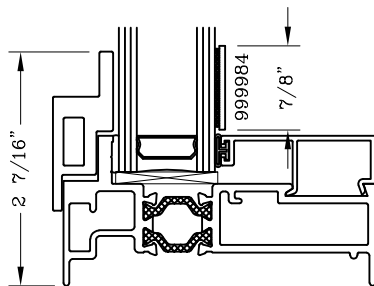


Triple Grid

(1" IG with 1/4"-1/4" Lites Shown)

## Vent Sightline Applied Adapter

(Note: Vent Sightline Adapters Are Tape Applied To Lite)



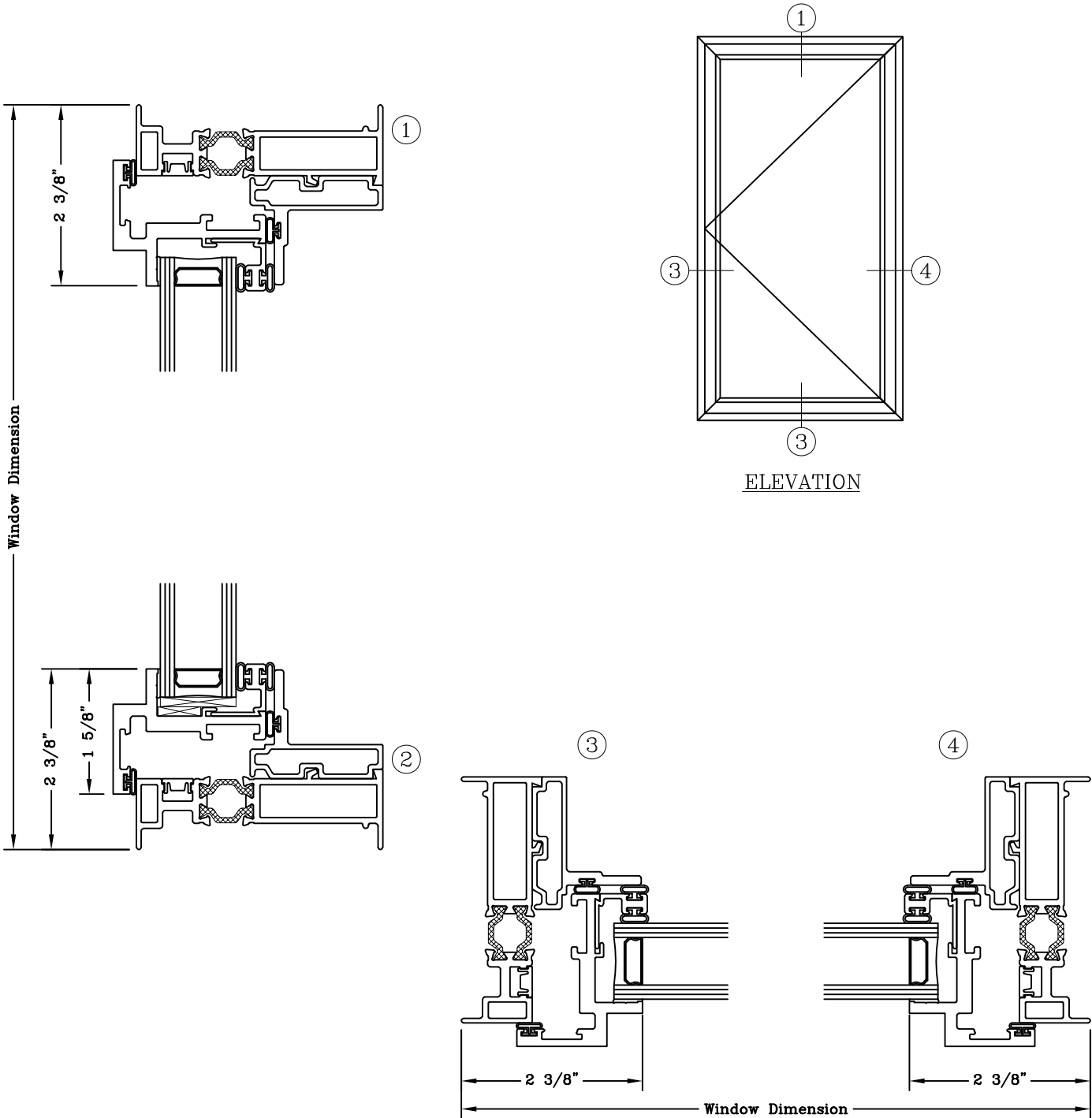
# Casement Vent – 3 1/4” Single – "T" Profile



Series: SR6700T      Manufacturing Code: SR67T11

Drawing 1/2 Scale – For Custom Size Drawing Contact Graham

Note: Sealant Not Shown On Details. Refer To General Installation Instructions.



Graham Architectural Products reserves the right to change, add, cancel, remove or otherwise modify the details illustrated without prior notice.

1551 Mt. Rose Avenue, York, Pennsylvania 17403-2909 717.849.8100 Toll Free: 800/755-6274

0223 – SR67T.11

Web Site: [www.grahamwindows.com](http://www.grahamwindows.com)