

# Frame Options - 4 1/2"

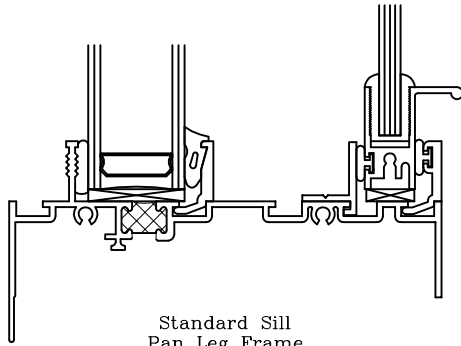


Series: 1100

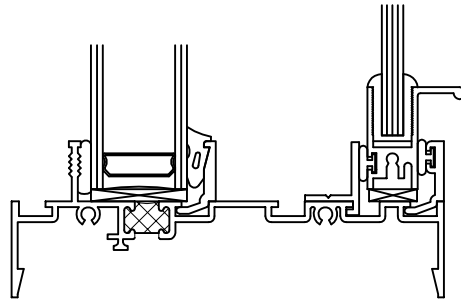
Manufacturing Code: 1105

Drawing 1/2 Scale - For Custom Size Drawing Contact Graham

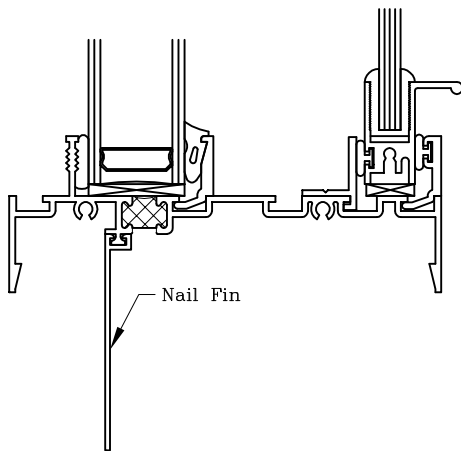
Note: Sealant Not Shown On Details. Consult Technical Services At Factory For Sealing Procedures.



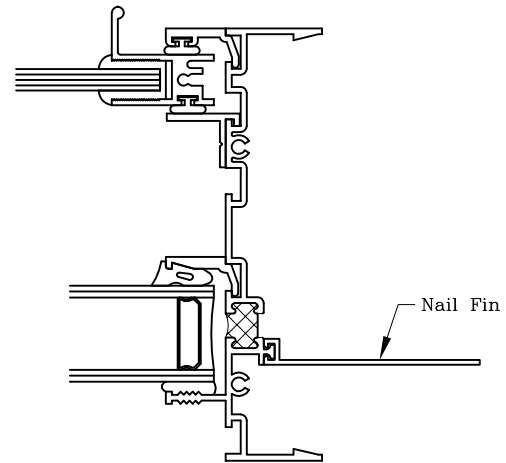
Standard Sill  
Pan Leg Frame  
#110025



Standard Sill  
Equal Leg Frame  
#110011



Nail Fin Option  
At Sill  
#240115



Nail Fin Option  
At Jamb  
#240115