

Acoustical - 4 1/2"

Dual Fixed

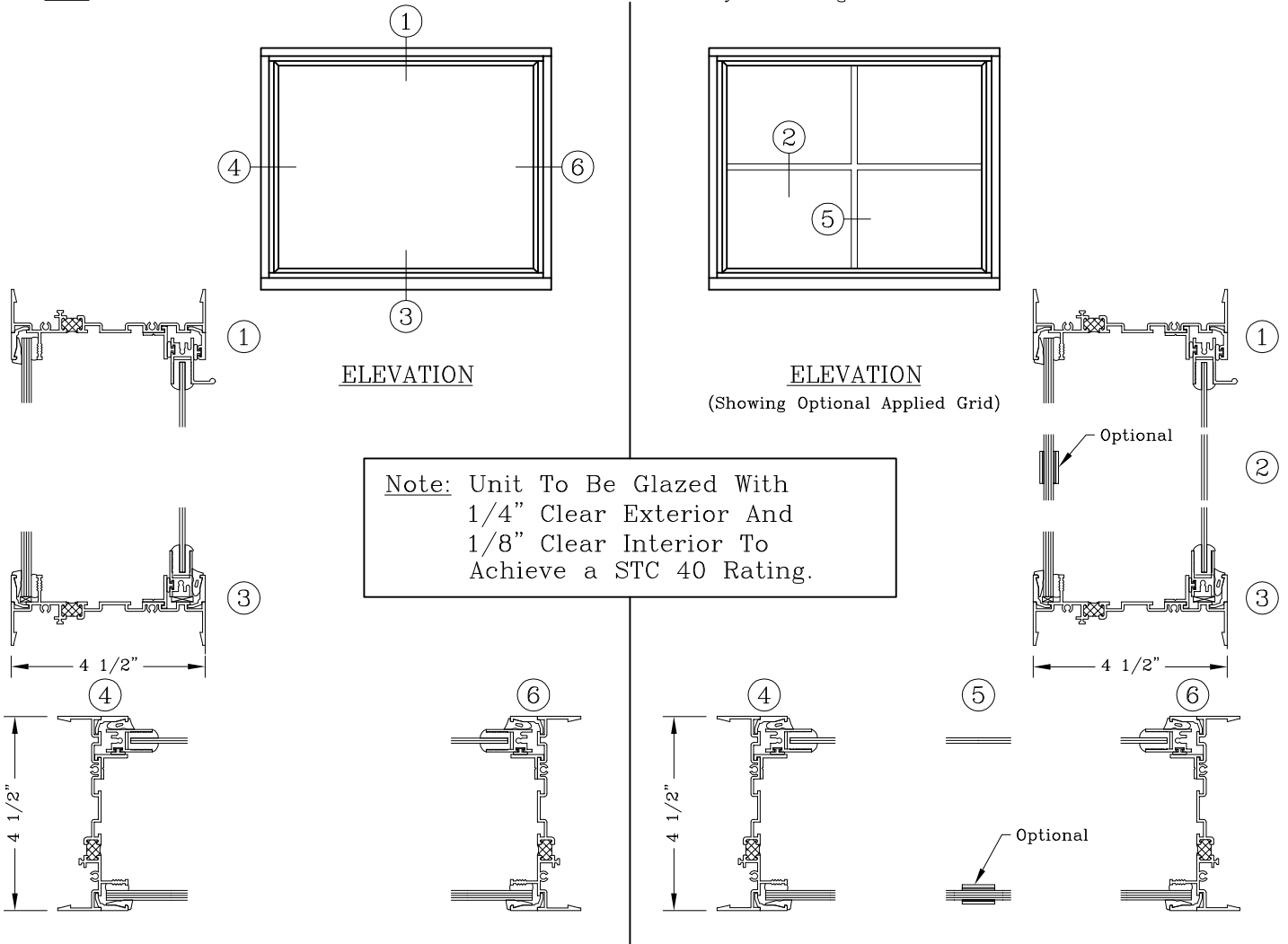


Series: ACU1100

Manufacturing Code: ACU11

Drawing 1/4 Scale - For Custom Size Drawing Contact Graham

Note: Sealant Not Shown On Details. Consult Technical Services At Factory For Sealing Procedures.



Note: Unit To Be Glazed With
1/4" Clear Exterior And
1/8" Clear Interior To
Achieve a STC 40 Rating.

<p>Panning - Optional (Head Shown)</p>	<p>Panning - Optional (Sill Shown)</p>	<p>Panning - Optional (Jamb Shown)</p>	<p>Trim - Optional (Interior Tape Applied) -Aluminum-</p>	
<p><u>Size Limits</u> Minimum: 4 3/4" by 15 1/4" Maximum: 72" by 72" Maximum Sash Weight: 80 LBS</p>	<p><u>Color Options</u> *Contains Kynar Graham Brown: PS2-BW *PF2-BW Colonial White: PS1-CW *PF1-CW Graham White: PS1-WH *PF1-WH Graham Silver: PS8-ABP PS8-ABP Sahara Sand: PS2-SA *PF2-SA Note: For Colors Not Listed, A Graham Color Code Or UC# Is Required. Clear Coat, Exotic Colors, Metallic & Anodized Not Included.</p>	<p><u>Glazing Options</u> Annealed or Tempered Glass Clear Grey or Bronze Tint Clear Laminated (Safety) Obscure Pattern #62 Low-E Note: Glazing May Be Limited To Meet Sound Transmission Specifications</p>		