

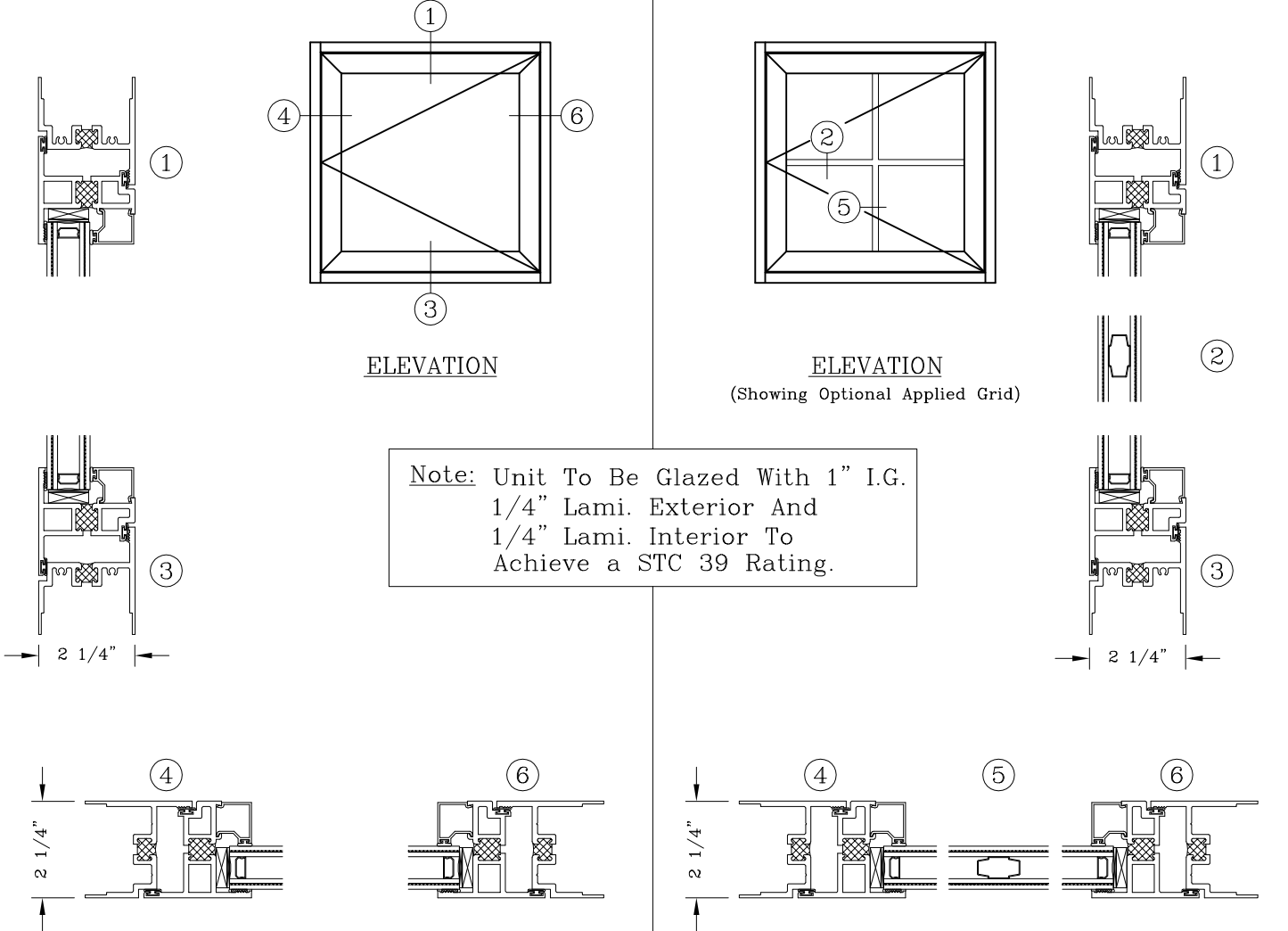
Acoustical – 2 1/4” Casement/Awning



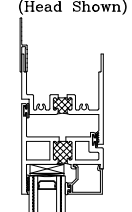
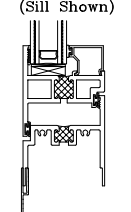
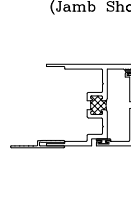
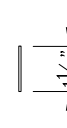
Series: ACU6500 Manufacturing Code: ACU65

Drawing 1/4 Scale – For Custom Size Drawing Contact Graham

Note: Sealant Not Shown On Details. Consult Technical Services At Factory For Sealing Procedures.



Note: Unit To Be Glazed With 1” I.G.
1/4” Lami. Exterior And
1/4” Lami. Interior To
Achieve a STC 39 Rating.

<p>Panning - Optional (Head Shown)</p> 	<p>Panning - Optional (Sill Shown)</p> 	<p>Panning - Optional (Jamb Shown)</p> 	<p>Trim - Optional (Interior Tape Applied) -Aluminum-</p> 	<p><u>Screen Material</u> Standard: Fiberglass Charcoal Mesh Optional: Aluminum</p>
<p><u>Size Limits</u> Casement: 18 1/4” by 19 3/4” Minimum: 48” by 72” Maximum: Awning: Minimum: 19 3/4” by 18 1/4” Maximum: 72” by 48” Maximum Sash Weight: 120 LBS.</p>	<p><u>Color Options</u> *Contains Kynar Graham Brown: PS2-BW *PF2-BW Colonial White: PS1-CW *PF1-CW Graham White: PS1-WH *PF1-WH Graham Silver: PS8-ABP PS8-ABP Sahara Sand: PS2-SA *PF2-SA Note: For Colors Not Listed, A Graham Color Code Or UC# Is Required. Clear Coat, Exotic Colors, Metallic & Anodized Not Included.</p>	<p><u>Glazing Options</u> Annealed or Tempered Glass Clear Grey or Bronze Tint Clear Laminated (Safety) Obscure Pattern #62 Low-E Note: Glazing May Be Limited To Meet Sound Transmission Specifications</p>	<p><u>Clear Opening</u> Width = Unit Width - 5 3/4” Height = Unit Height - 5”</p>	