

Pivot Guardian Detail - 2 1/4"

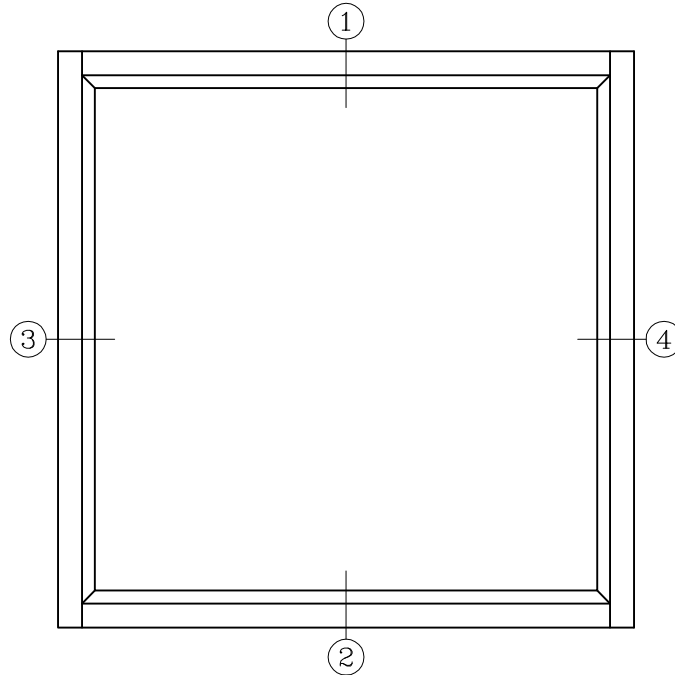
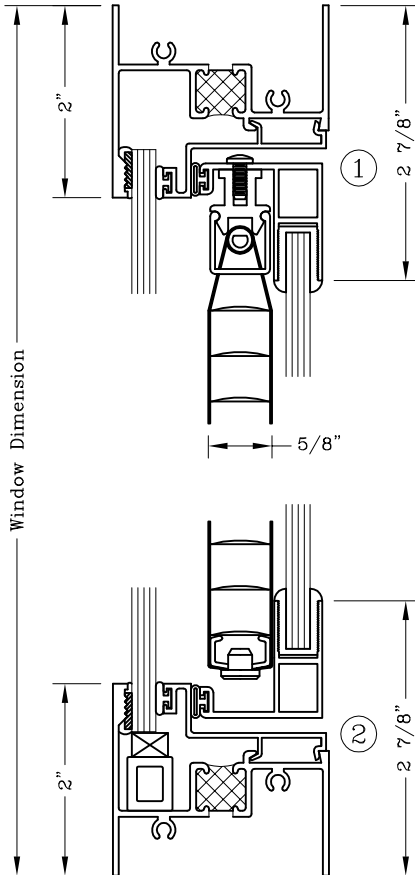


Series: 6600

Manufacturing Code: 6616

Drawing 1/2 Scale - For Custom Size Drawing Contact Graham

Note: Sealant Not Shown On Details. Consult Technical Services At Factory For Sealing Procedures.



ELEVATION

NOTE: Glazing Option Shown On Fixed Window
Glazing Detail Is Similar For Operable Sash

Optional 5/8" Blind Shown

