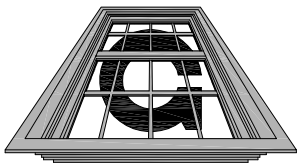


Graham



Architectural Products

Security Screens – Perforated Flat Mount Frame

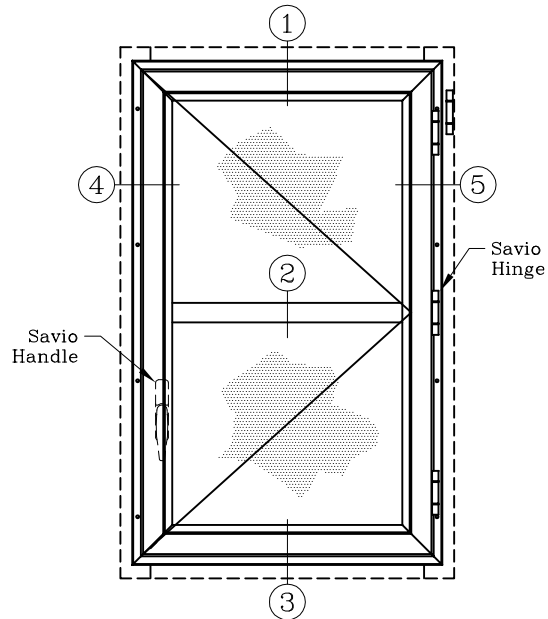
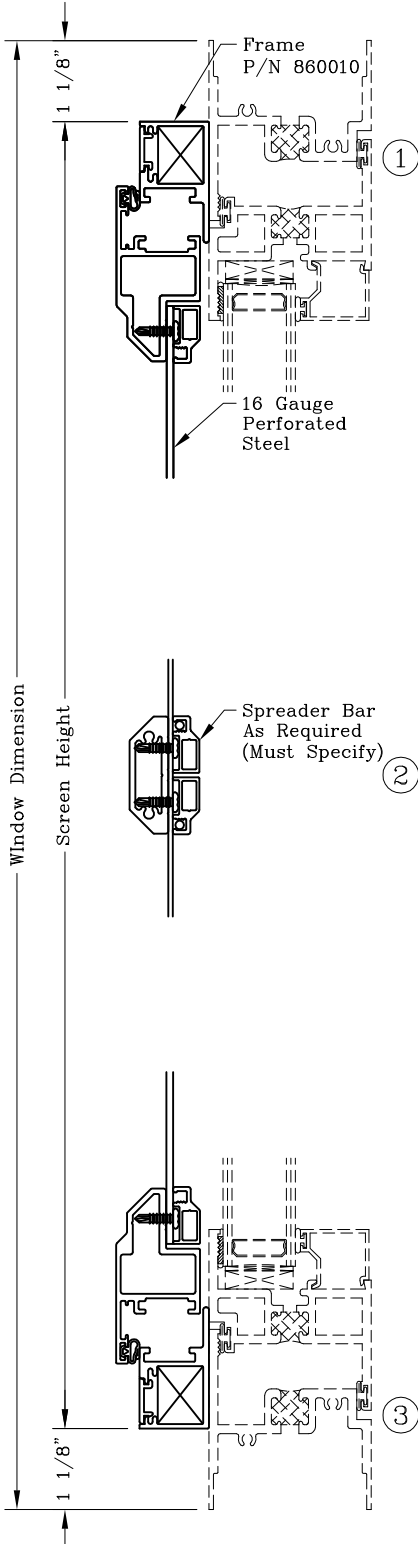
On 6500 Casement Inswing

Series: 8600

Manufacturing Code: 8601

Drawing 3/8 Scale – For Custom Size Drawing Contact Graham

Note: Sealant Not Shown On Details. Consult Technical Services At Factory For Sealing Procedures.



ELEVATION

Extended Leg Frame On Casement Inswing Shown
(Viewed From Exterior)
(Refer To Chart For Other Series)

Series Frame Application For Keystone Frame	
Series	Frame
1400	Extended Leg Frames
1500	Extended Leg Frames
2200	Single Hung And Retrofit
2500	Retrofit
3000	Retrofit
6500	Extended Leg Frames
6800	Extended Leg Frames

