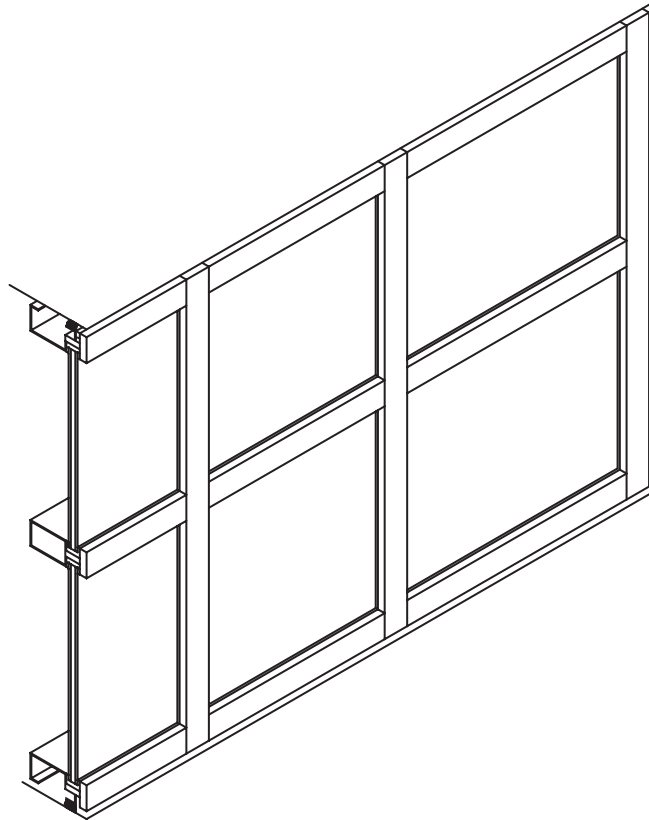




FM Graham 450T Series Window

Go to Elevation View

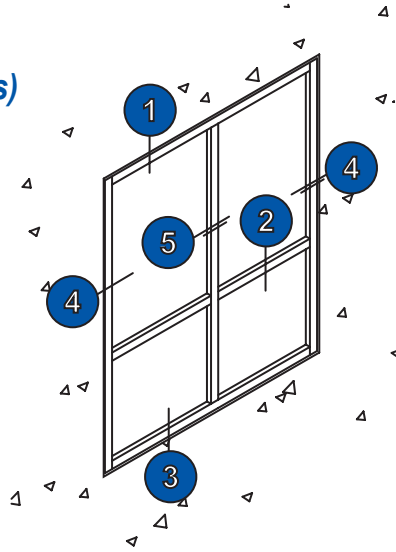


F–M 450T series window is an inside glazed system designed for punched and strip window applications. The overall frame size is 2" wide and 4 1/2" deep. This series incorporates an interior removable glazing bead at the top of each lite that allows for interior glazing.

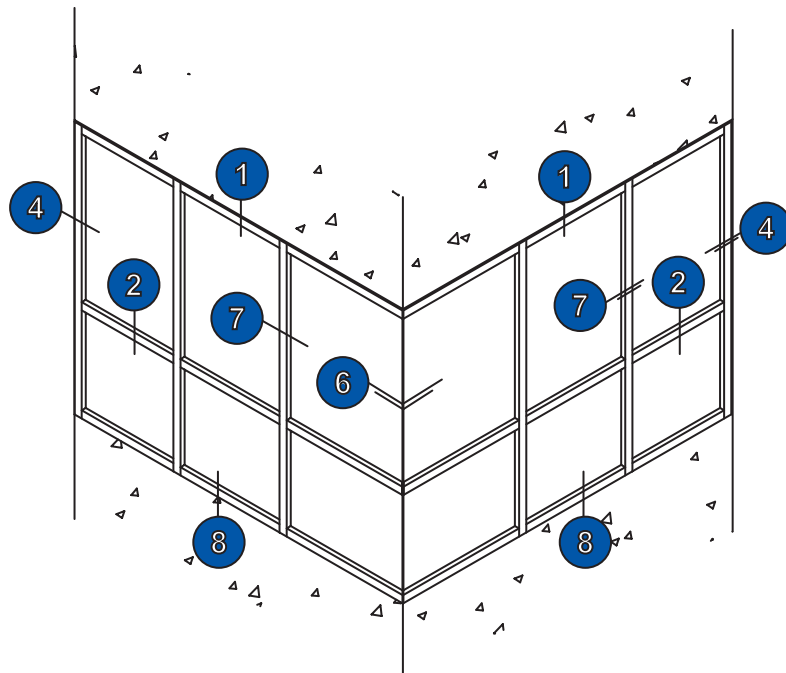
The 450T series is a thermal system which incorporates a poured and debridged thermal barrier. All frame connections are made with screw splines and all frame members are coped and sealed in our shop. This eliminates field installation of water diverters and joint plugs.

FM Graham 450T Series Window

(Click on the numbers for more details)



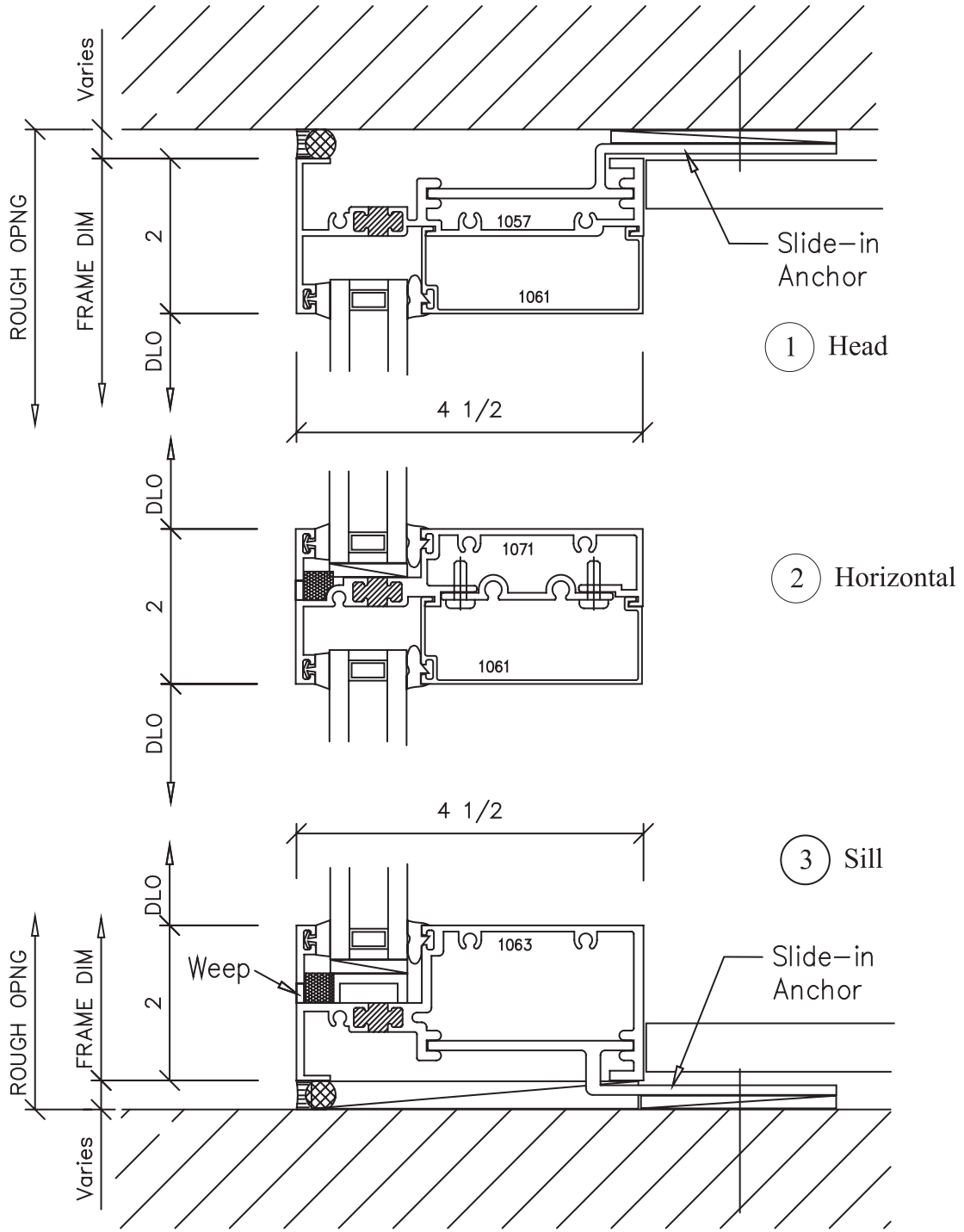
Elevation of Typical Punched Opening



Elevation of Typical Strip Window with Corner

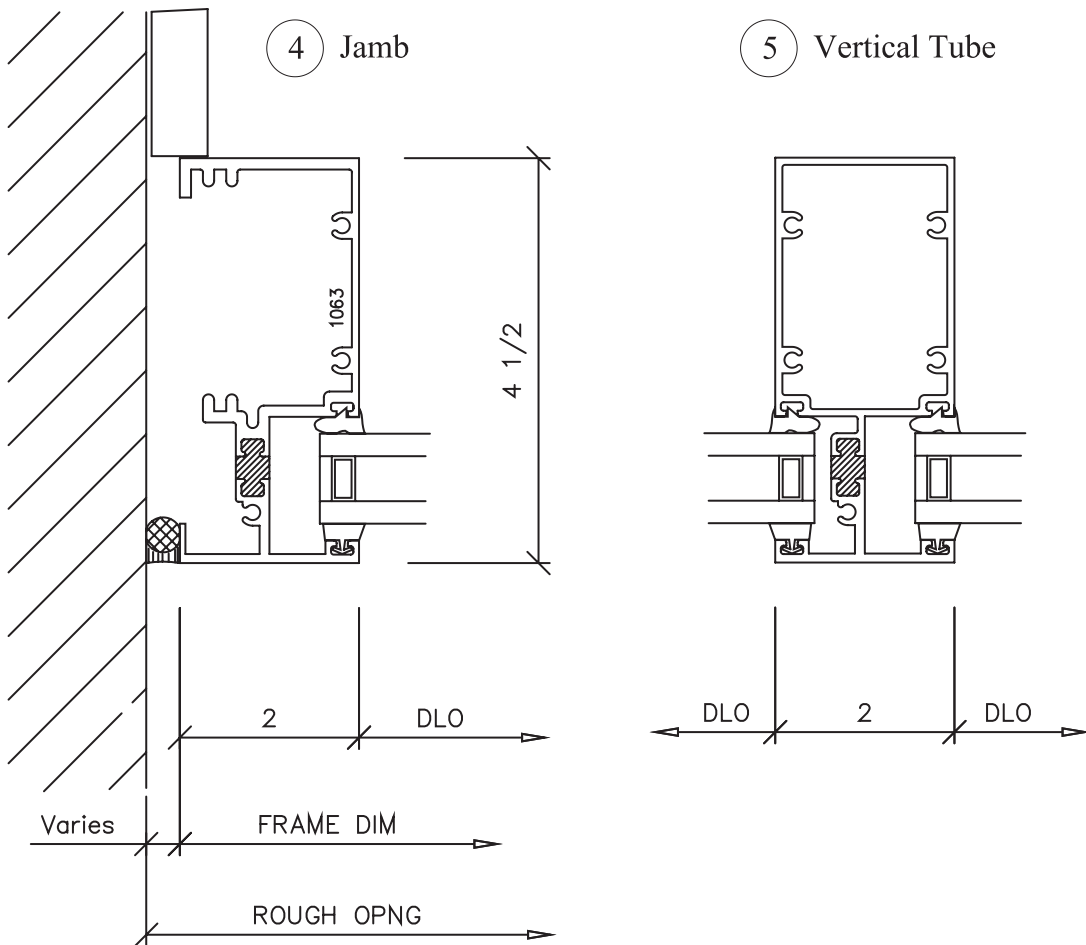
FM Graham 450T Series Window

Go to Elevation View



FM Graham 450T Series Window

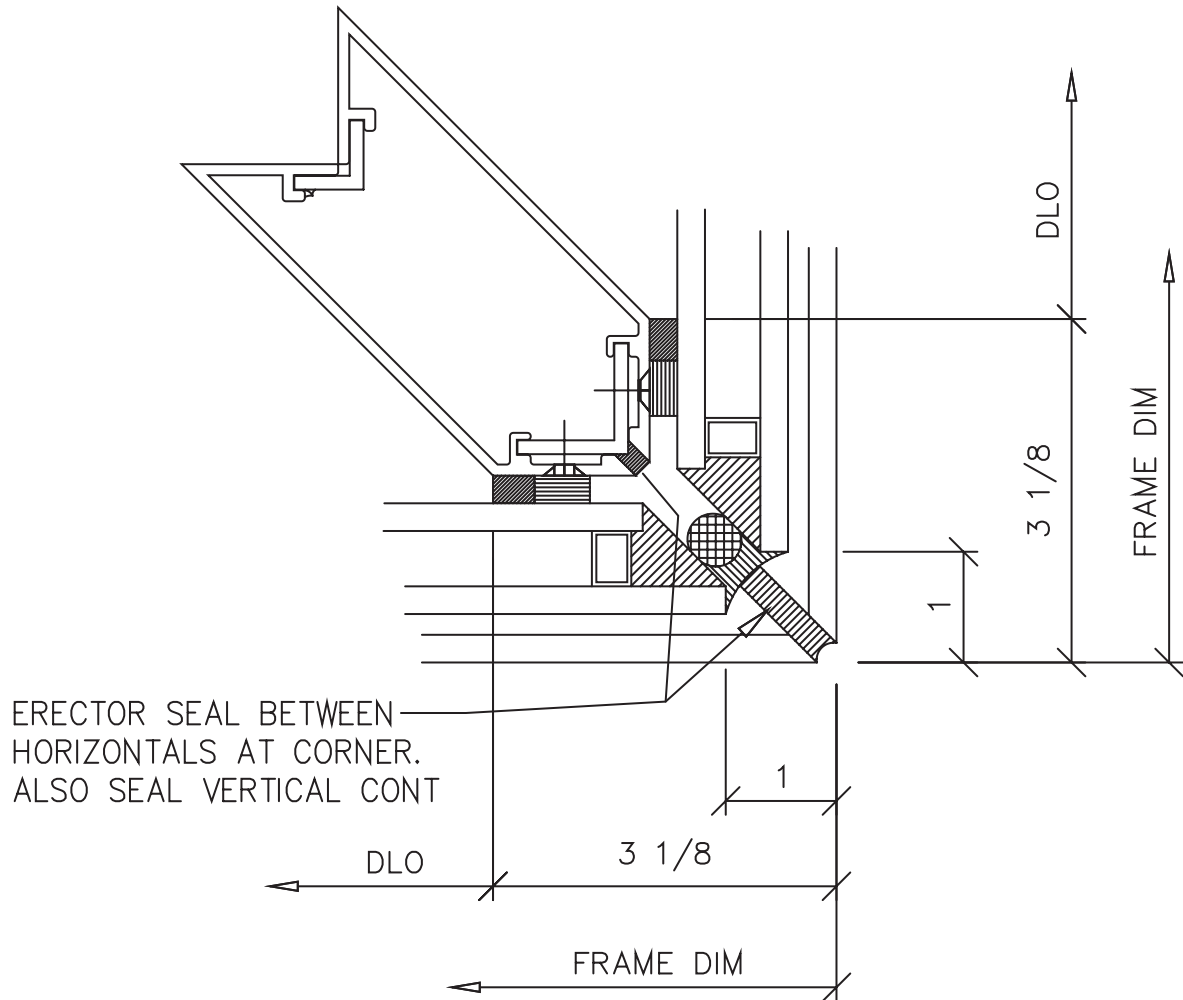
Go to Elevation View



FM Graham 450T Series Window

Go to Elevation View

6 Outside Corner



FM Graham 450T Series Window

Go to Elevation View

