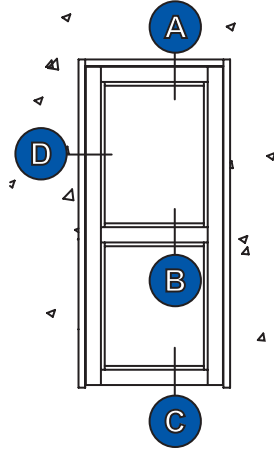
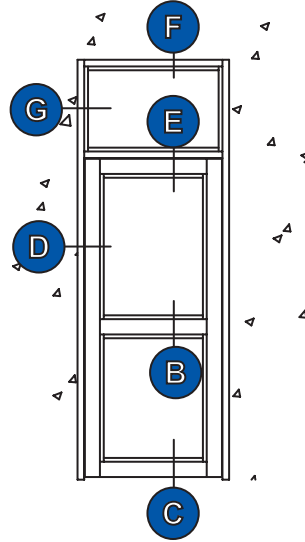


FM Graham Standard Entrances

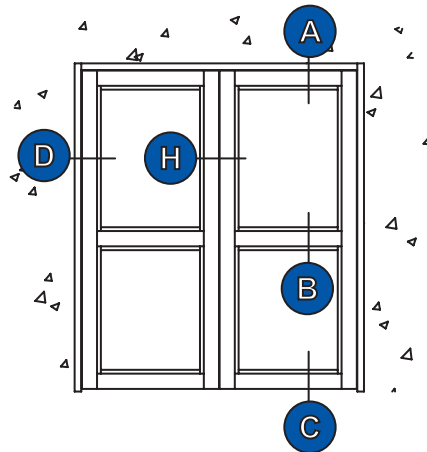
(Click on the letters for more details)



Single Door



Single Door w/Transom Above



Double Door

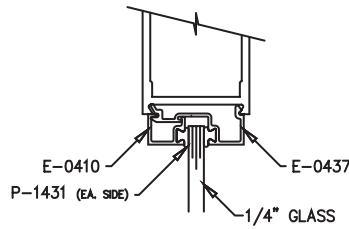
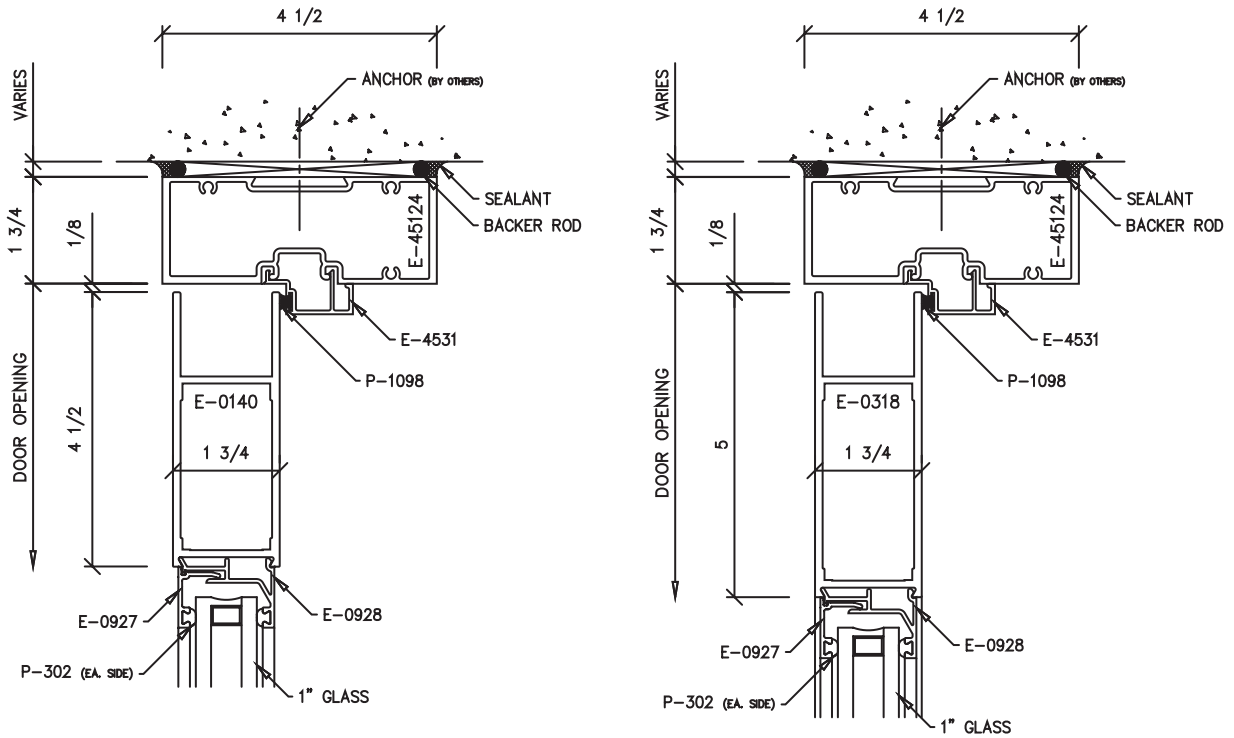
Standard Sizes	
Single Doors	Double Doors
3'-0" x 7'-0"	5'-0" x 7'-0"
3'-6" x 7'-0"	6'-0" x 7'-0"

Elevation of Standard Entrances

Go to Elevation View

Door Head

A

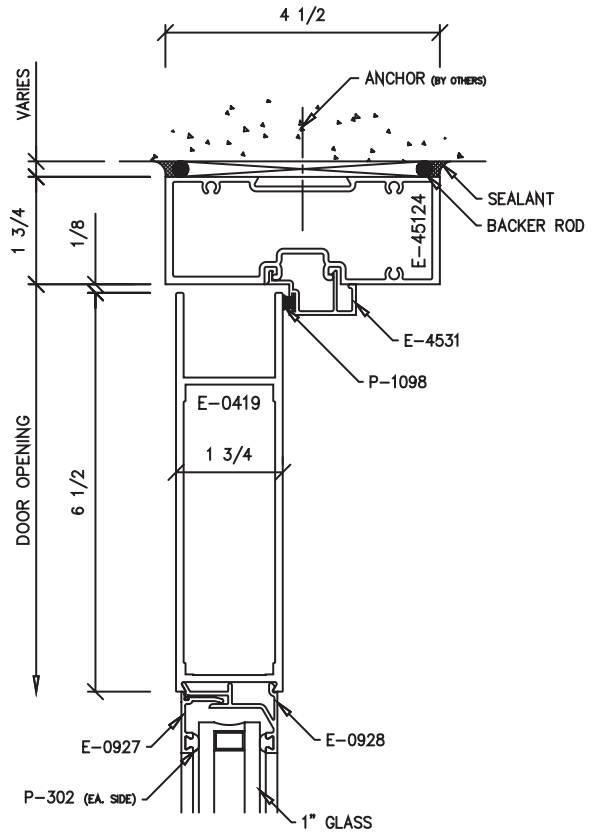
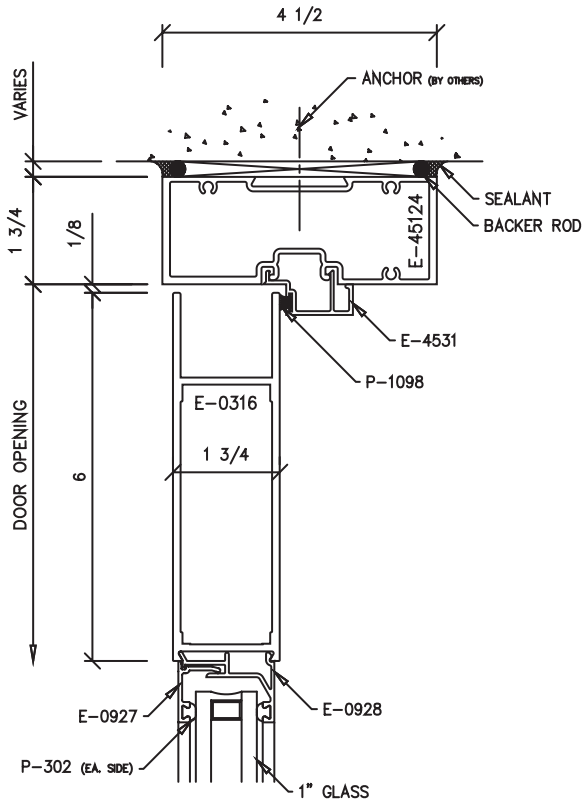


Optional 1/4" Glazing

Go to Elevation View

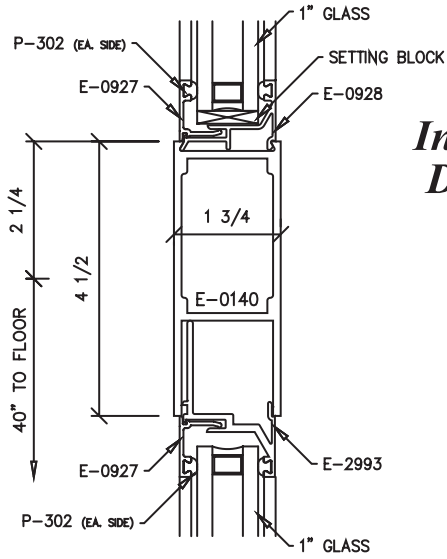
Door Head

A1



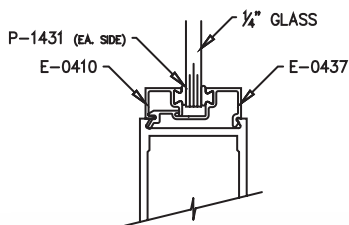
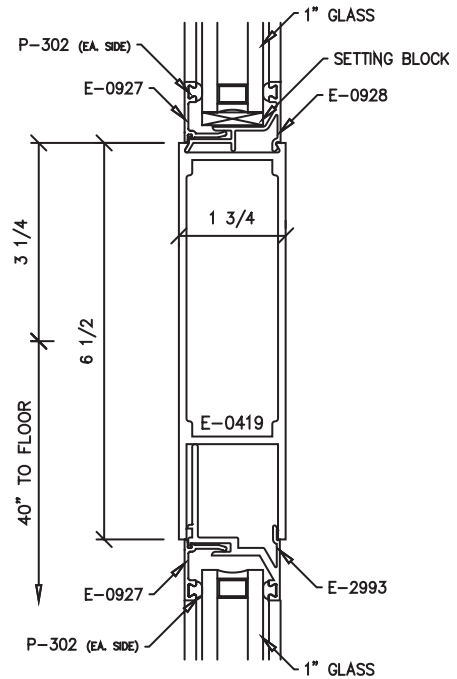
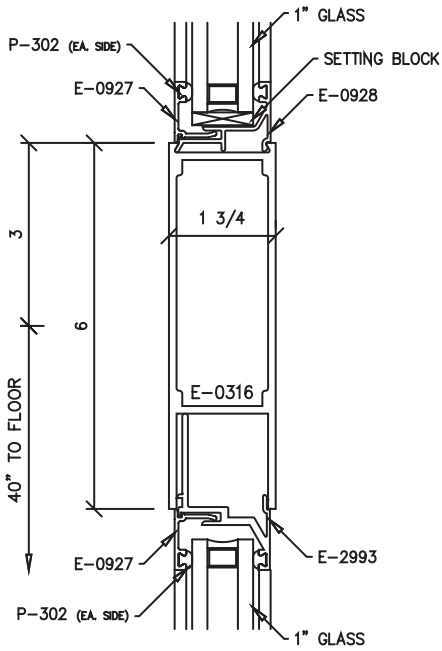
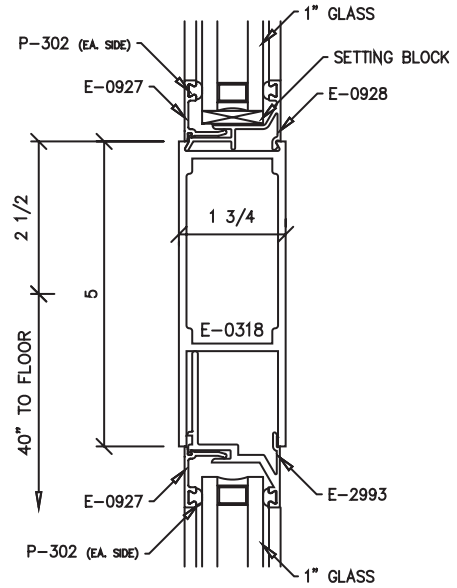
FM Graham Standard Entrances

Go to Elevation View

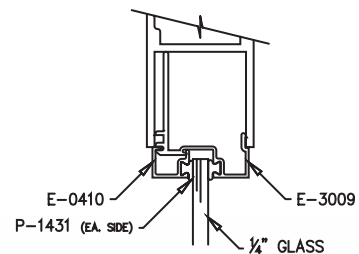


Intermediate Door Rails

(B)



Optional 1/4" Glazing

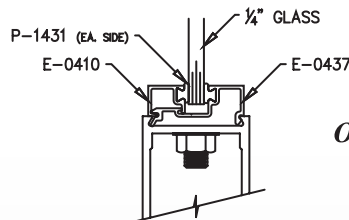
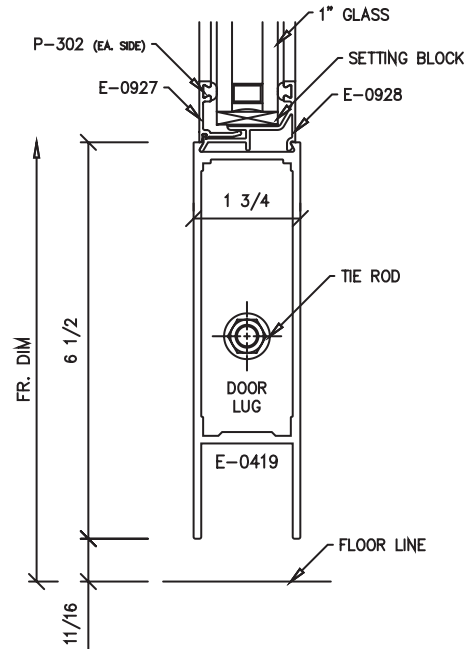
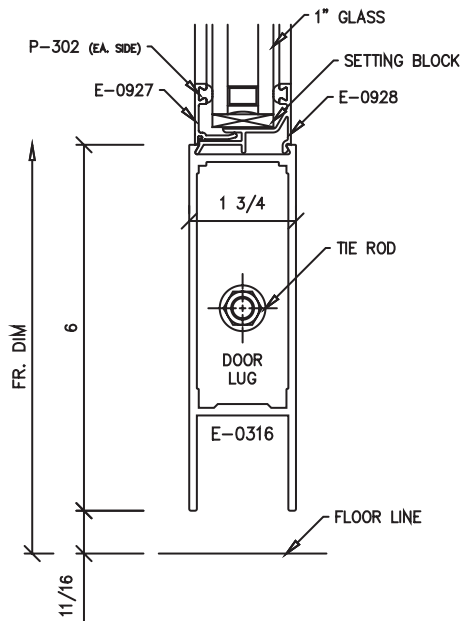
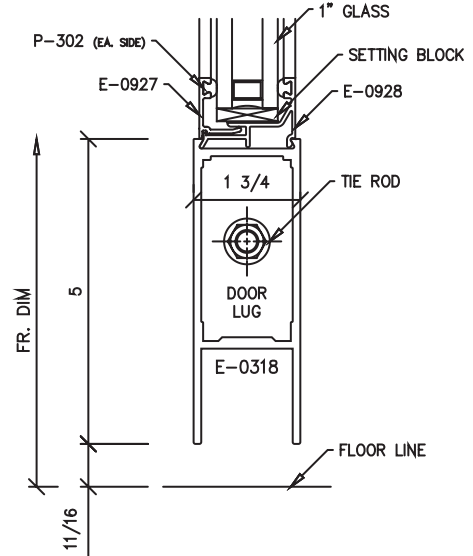
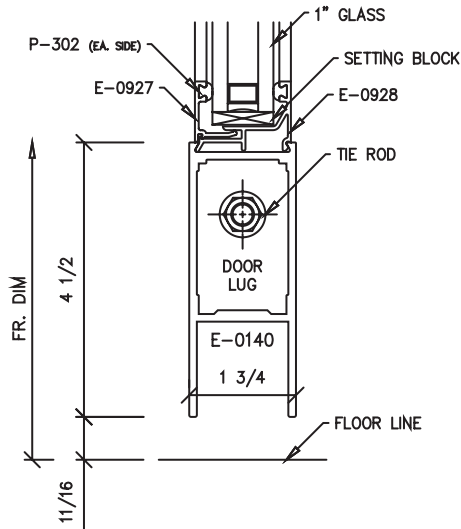


FM Graham Standard Entrances

Go to Elevation View

Door Sills

(C)

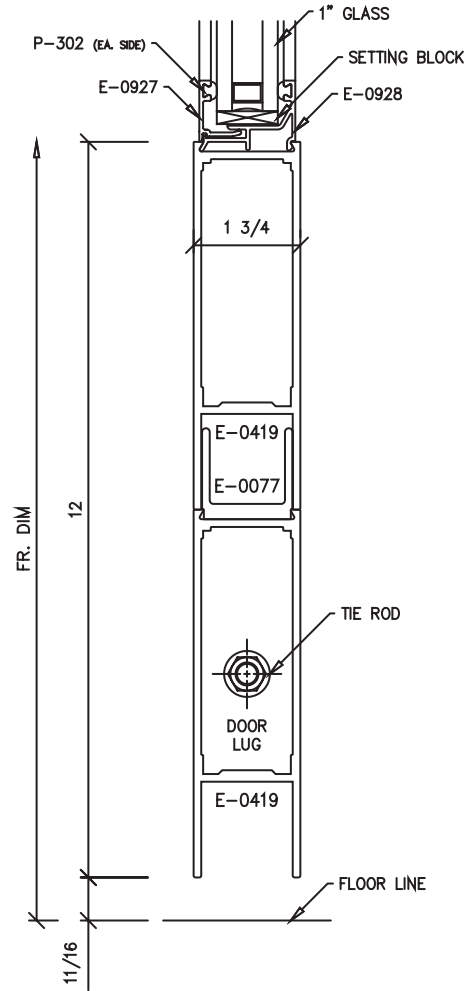
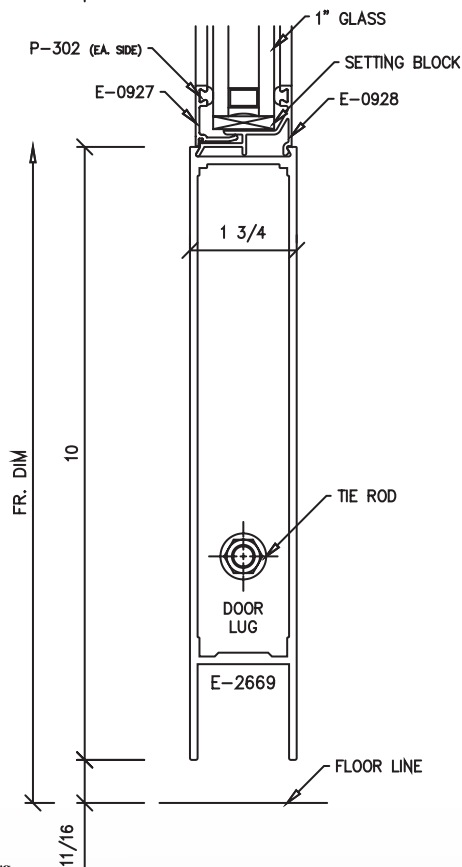
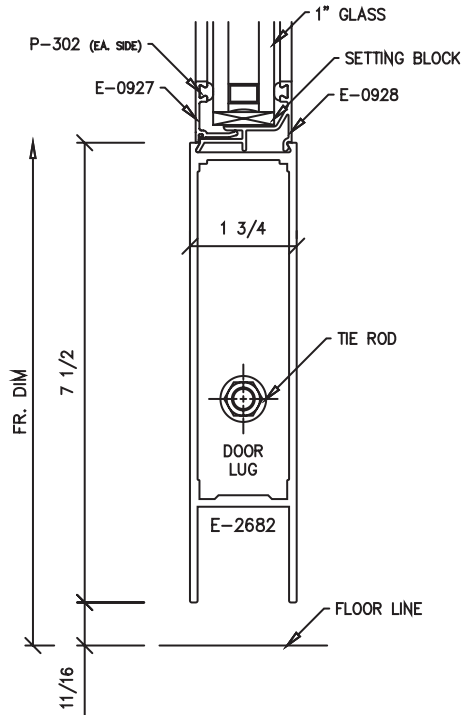


Optional 1/4" Glazing

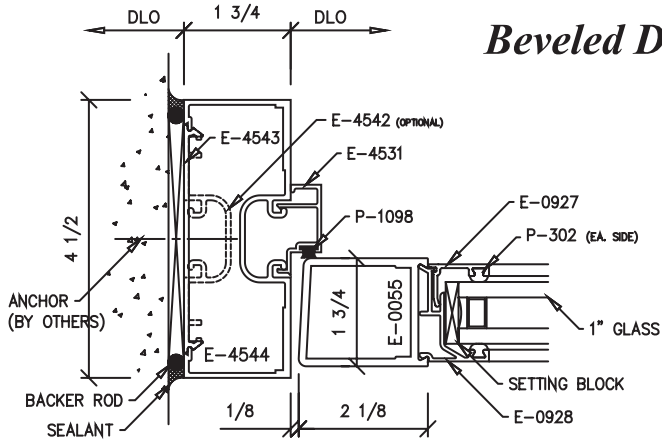
Go to Elevation View

Door Sills

(C1)

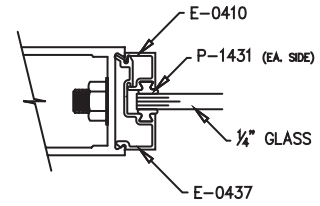


Go to Elevation View

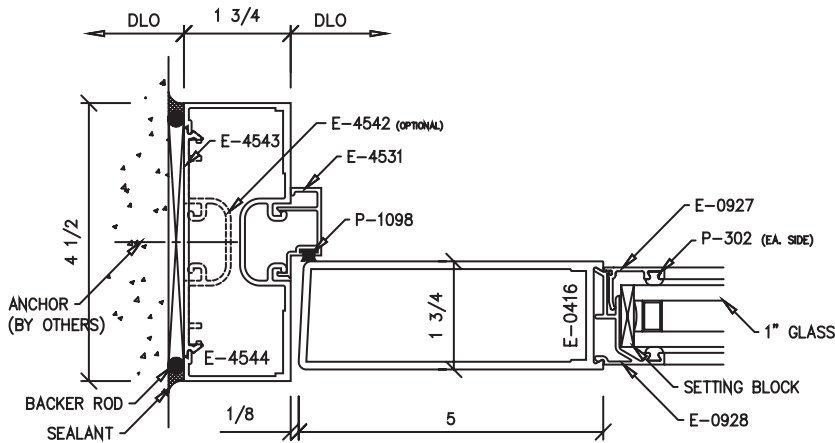
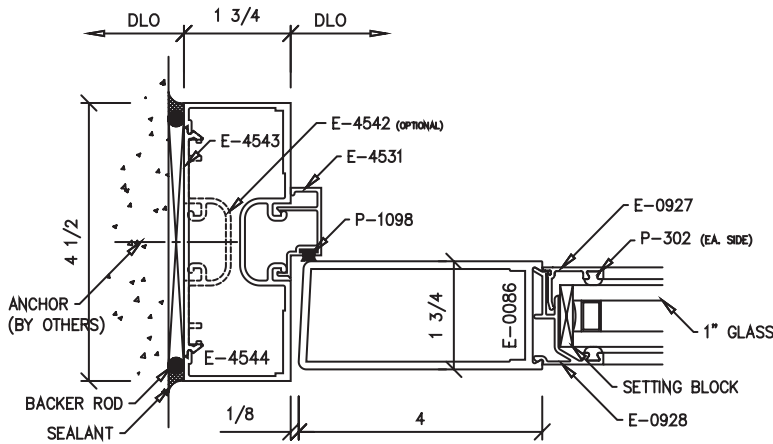


Beveled Door Jamb Strike

(D)



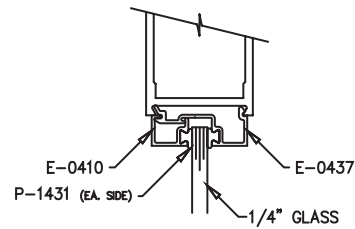
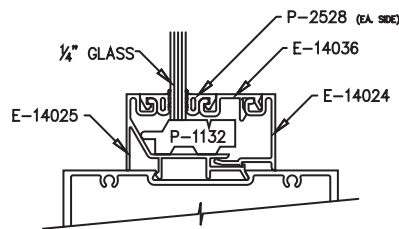
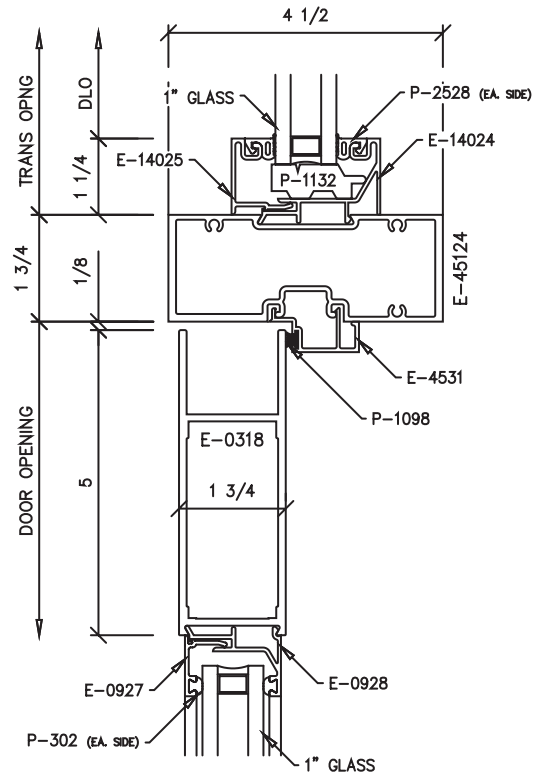
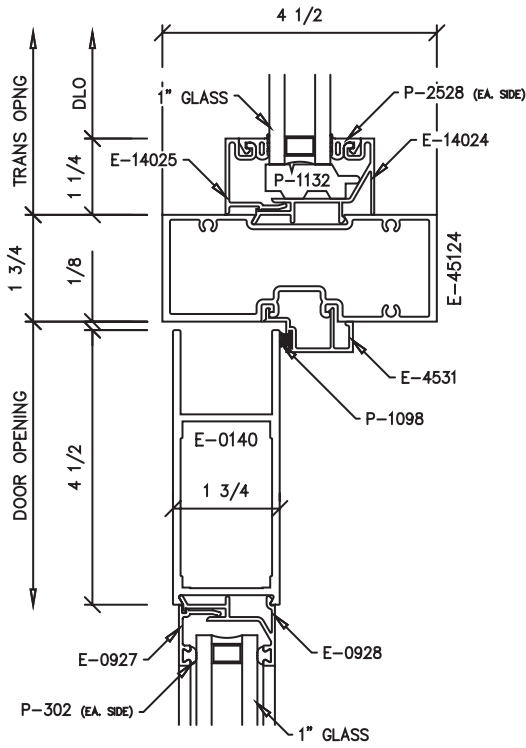
Optional 1/4" Glazing



Go to Elevation View

Door Head w/Transom Above

(E)

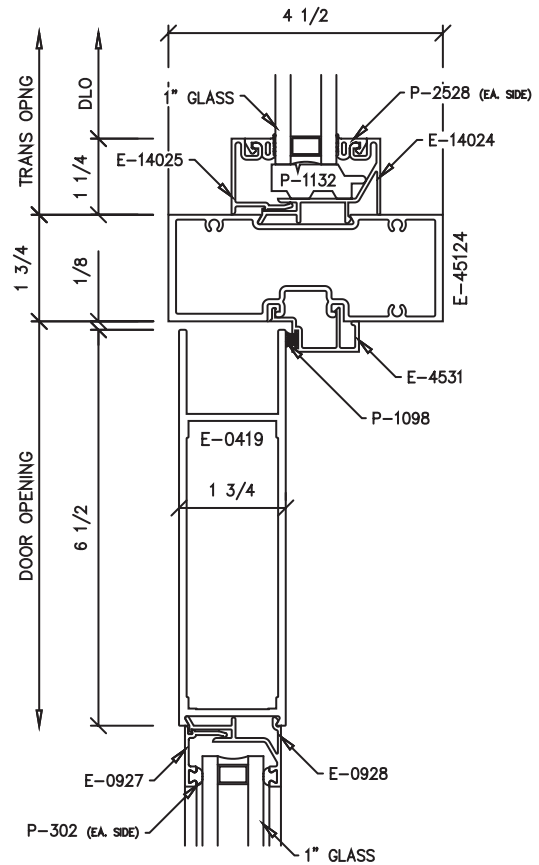
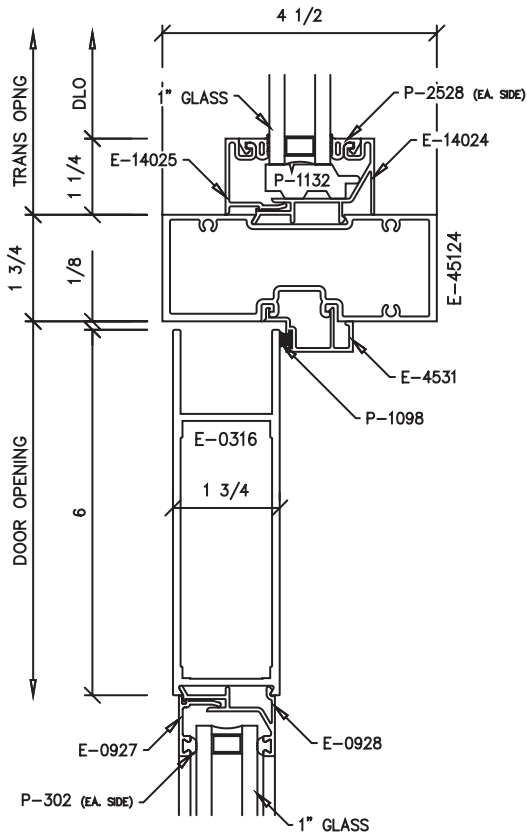


Optional 1/4" Glazing

Go to Elevation View

Door Head w/Transom Above

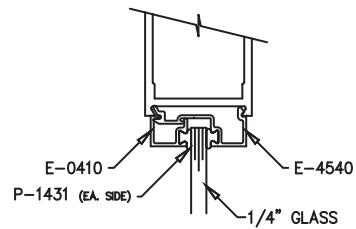
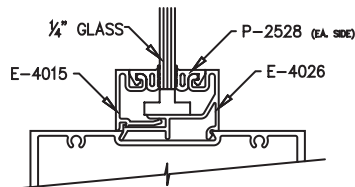
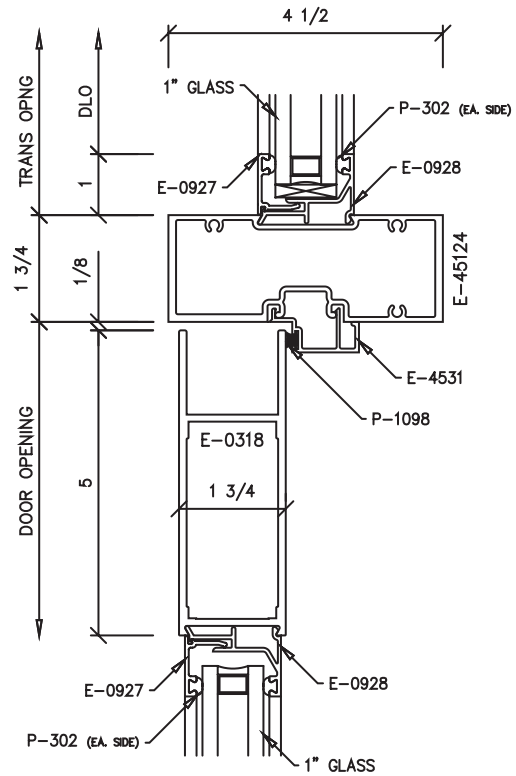
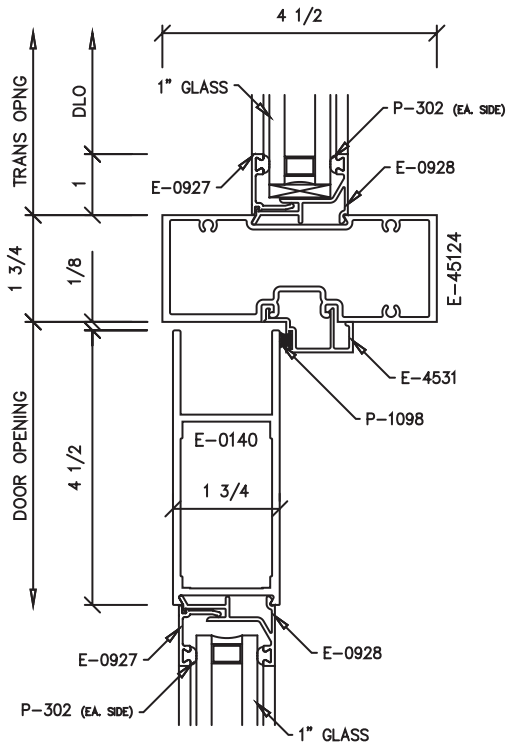
E1



Go to Elevation View

Door Head w/Transom Above

E2

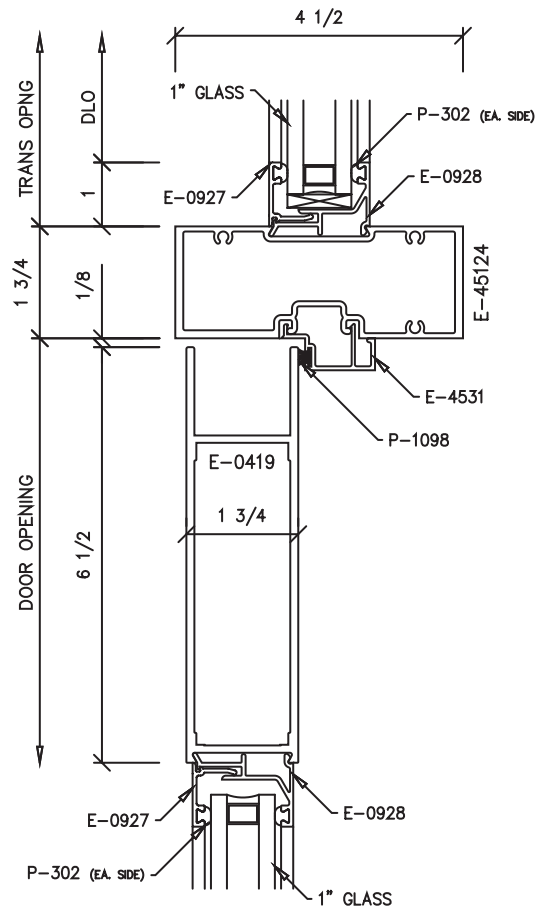
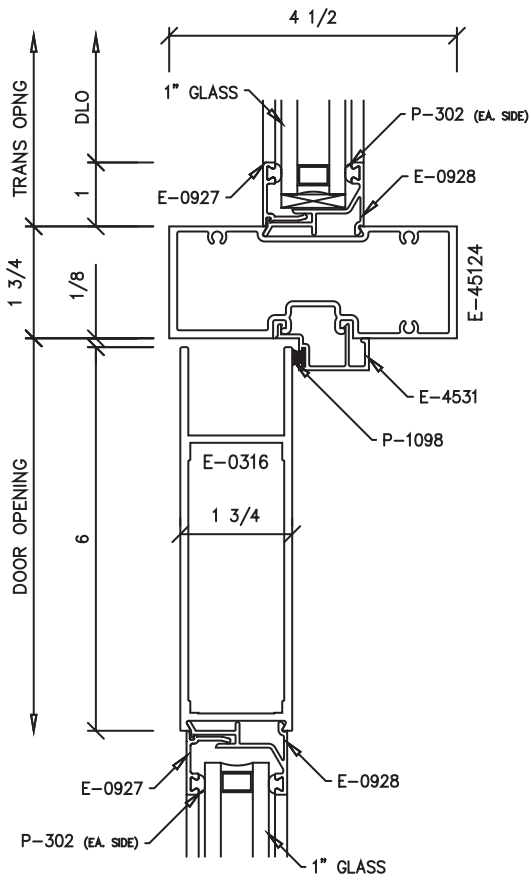


Optional 1/4" Glazing

Go to Elevation View

Door Head w/Transom Above

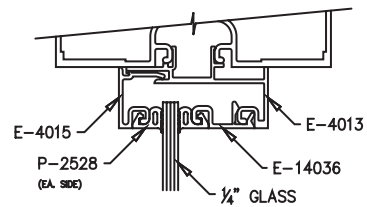
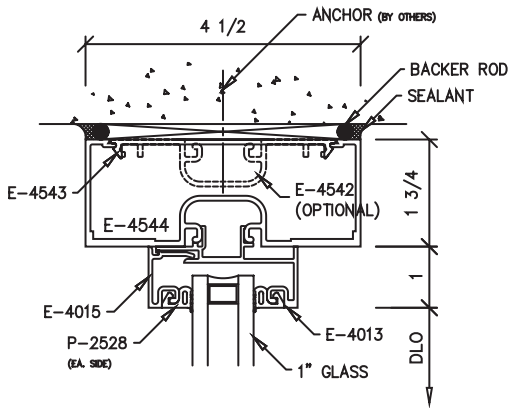
E3



Go to Elevation View

Head @ Transom

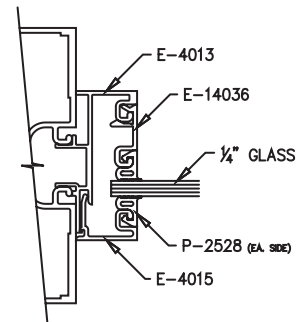
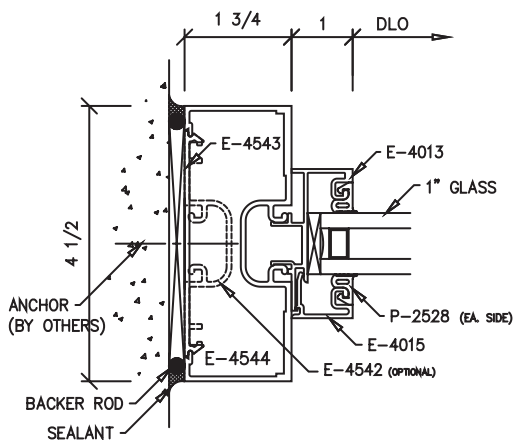
F



Optional 1/4" Glazing

Vertical Jamb @ Transom

G



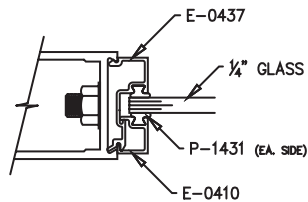
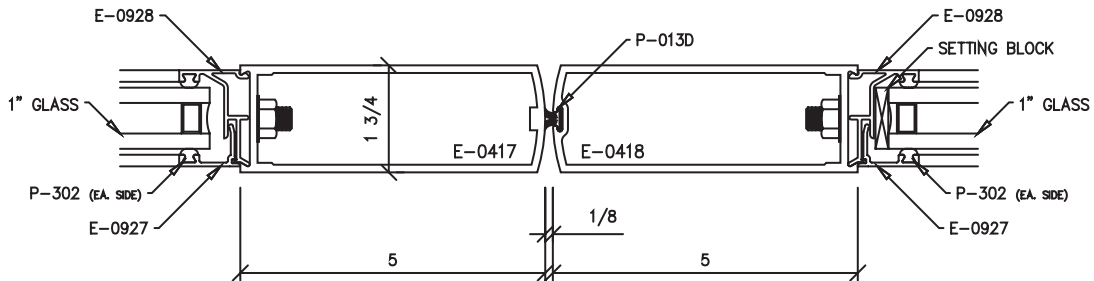
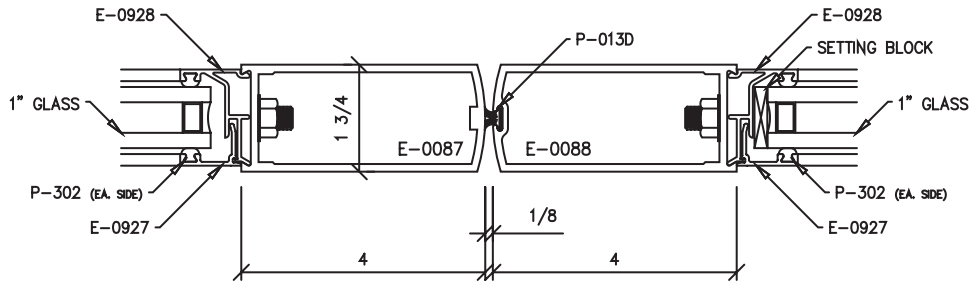
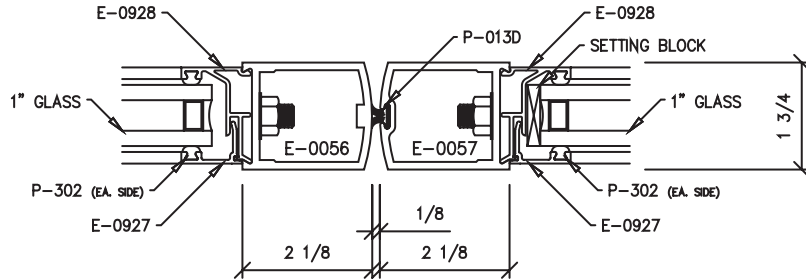
Optional 1/4" Glazing

FM Graham Standard Entrances

Go to Elevation View

Stiles @ Door Pairs

(H)

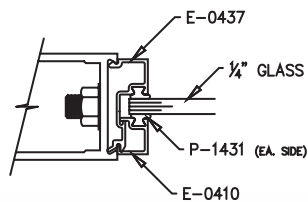
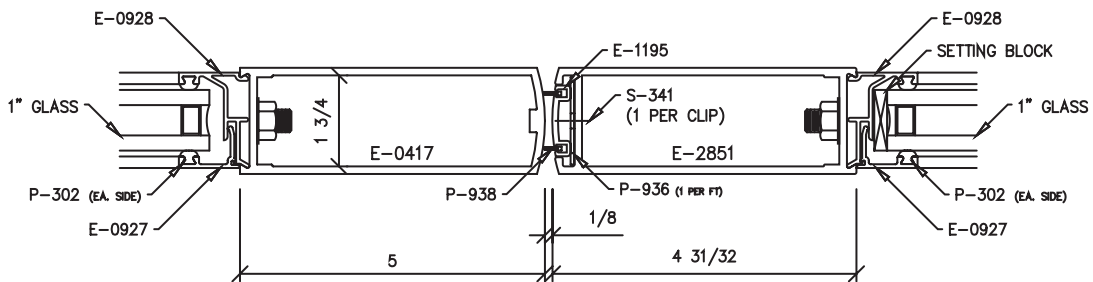
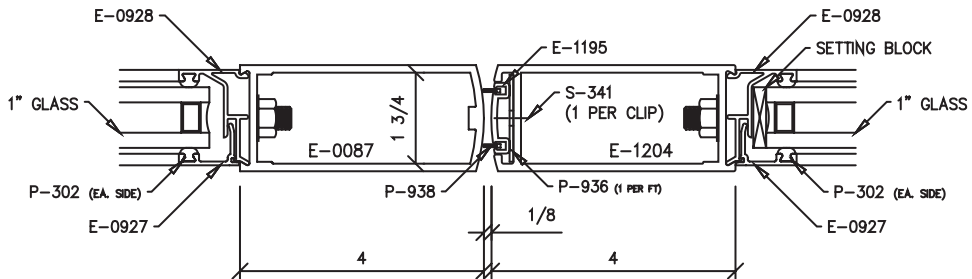
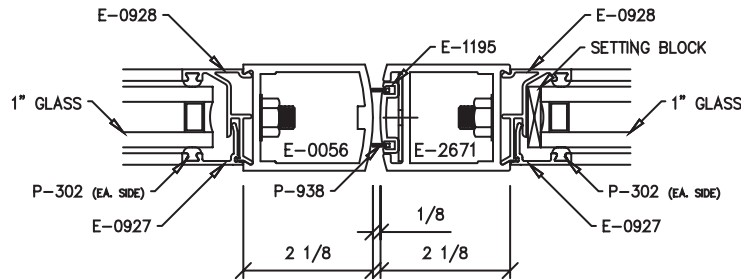


Optional 1/4" Glazing

Go to Elevation View

Stiles w/Adjustable Astragal @ Door Pairs

HI



Optional 1/4" Glazing