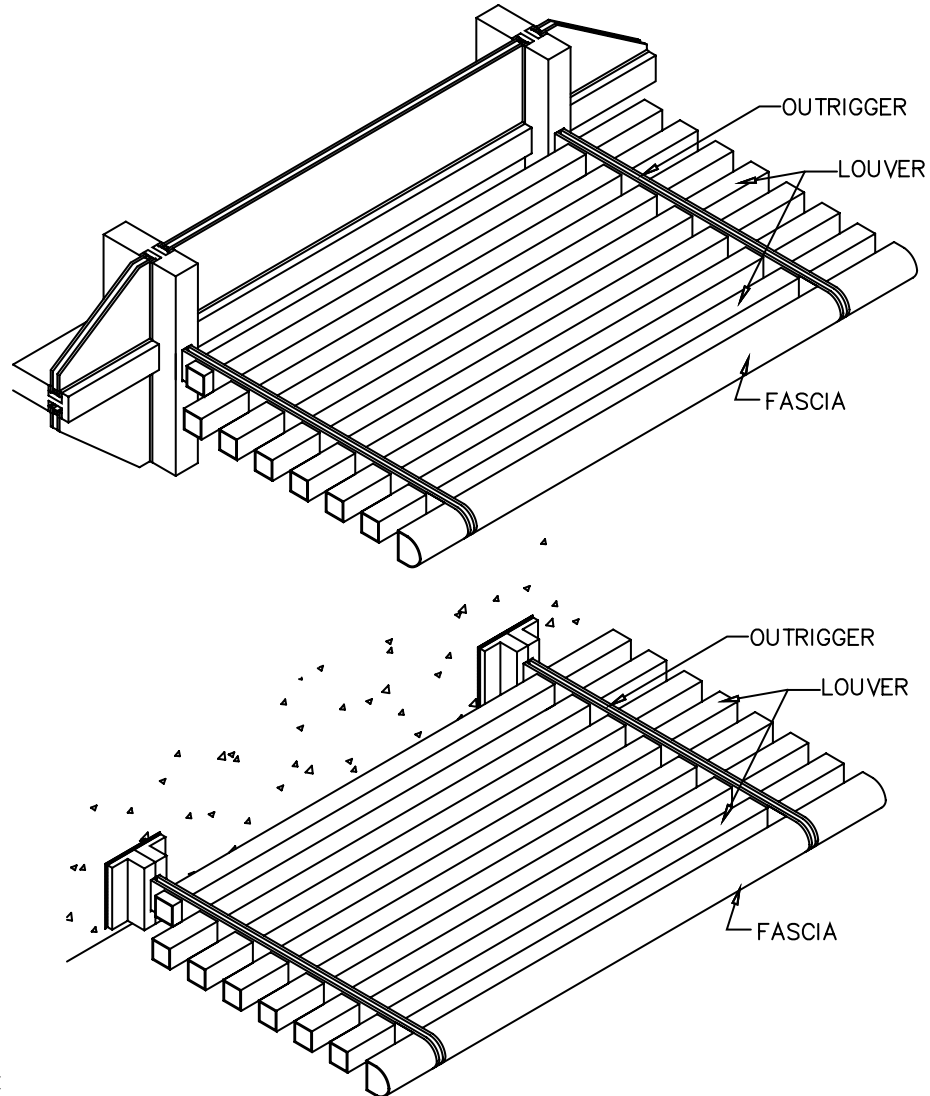


FM Graham Architectural Sundshades

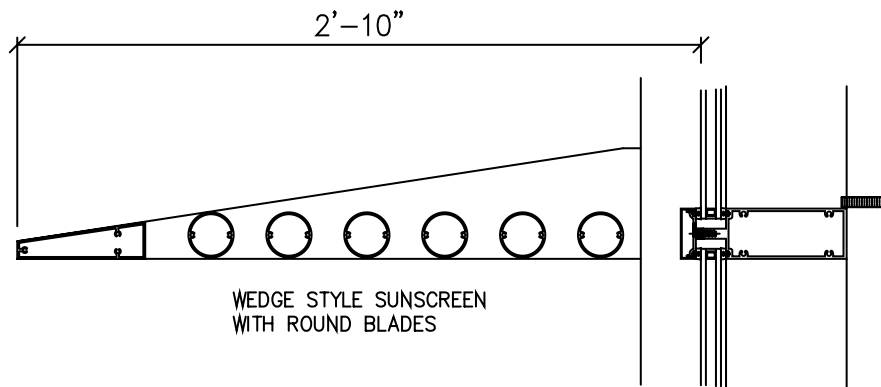
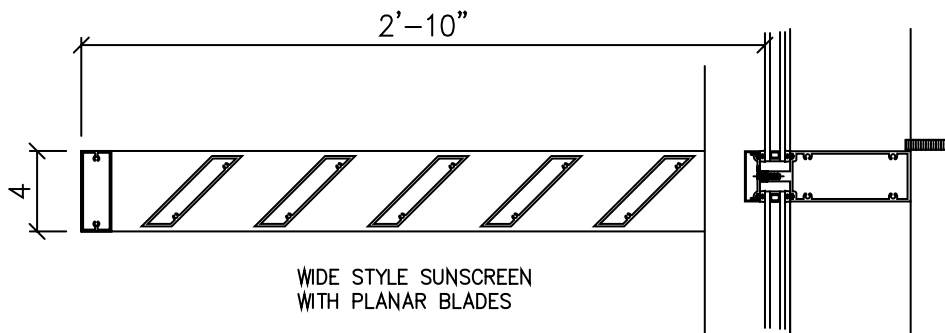
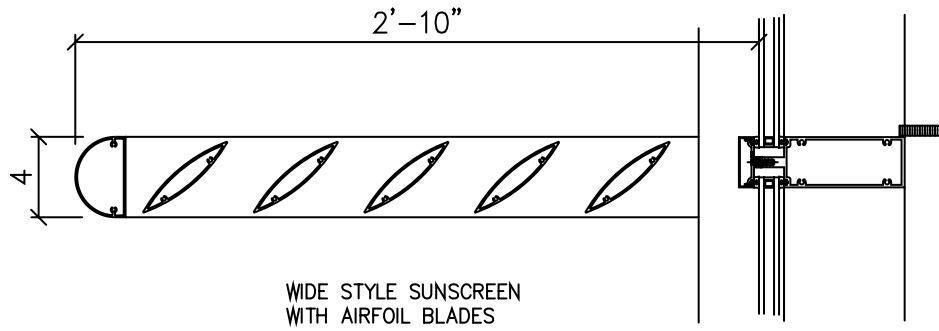


FEATURES:

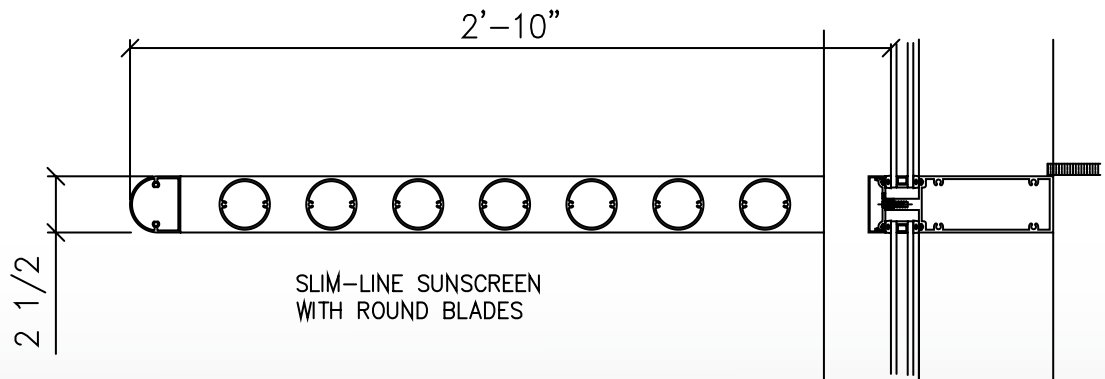
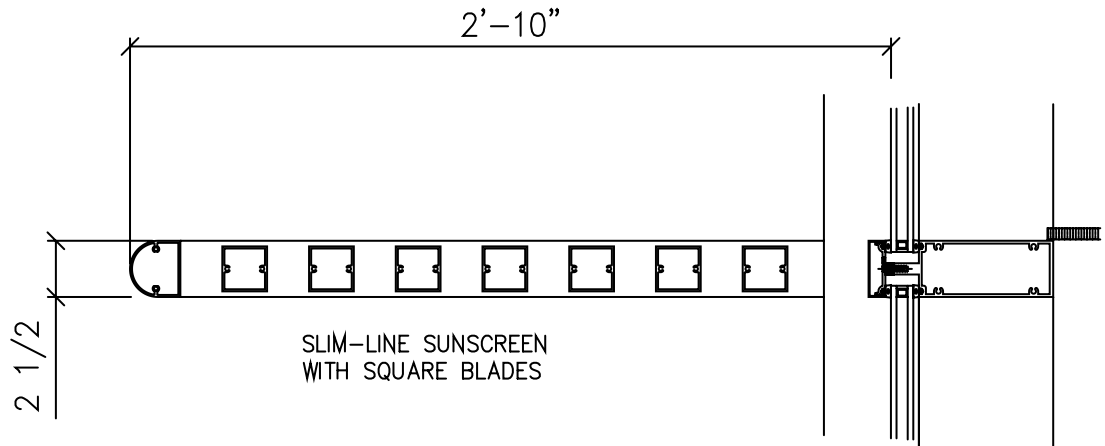
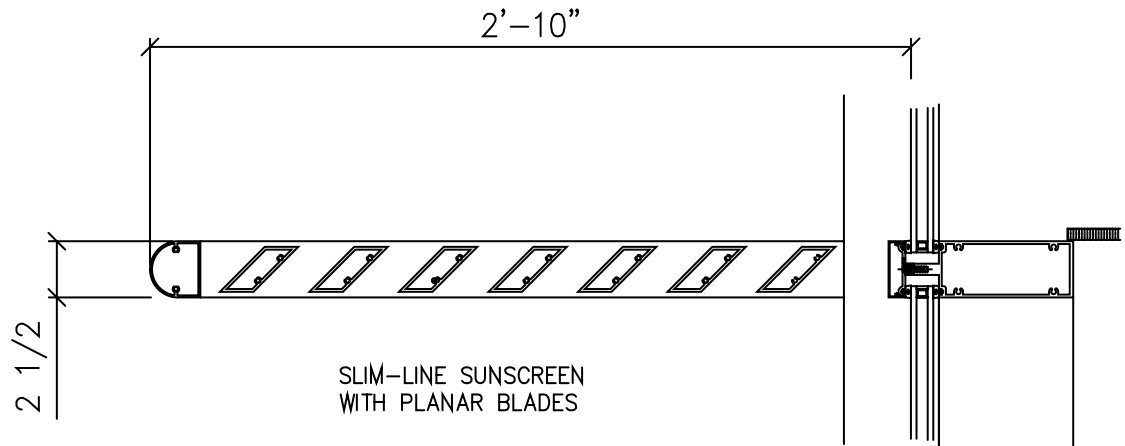
- * All aluminum design reduces maintenance and weight
- * Units are assembled using screw spline connections with stainless steel fasteners
- * Can be integrated with F-M 2500 series pressure wall
- * Can be wall mounted above existing windows
- * Available with standard or custom profiles
- * Shades interior and conserves energy
- * Standard 34" projection from face of glass
- * Anchorage designed to accommodate a combined 65 psf wind and snow load.

FM Graham Architectural Sundshades

WIDE STILE OUTRIGGER SHOWN ATTACHED TO CURTAIN WALL VERTICAL

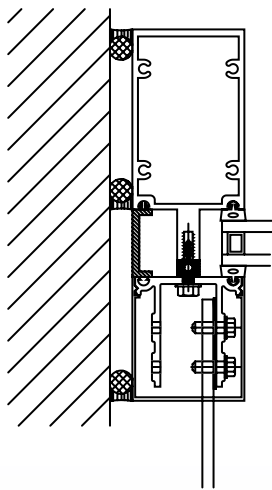
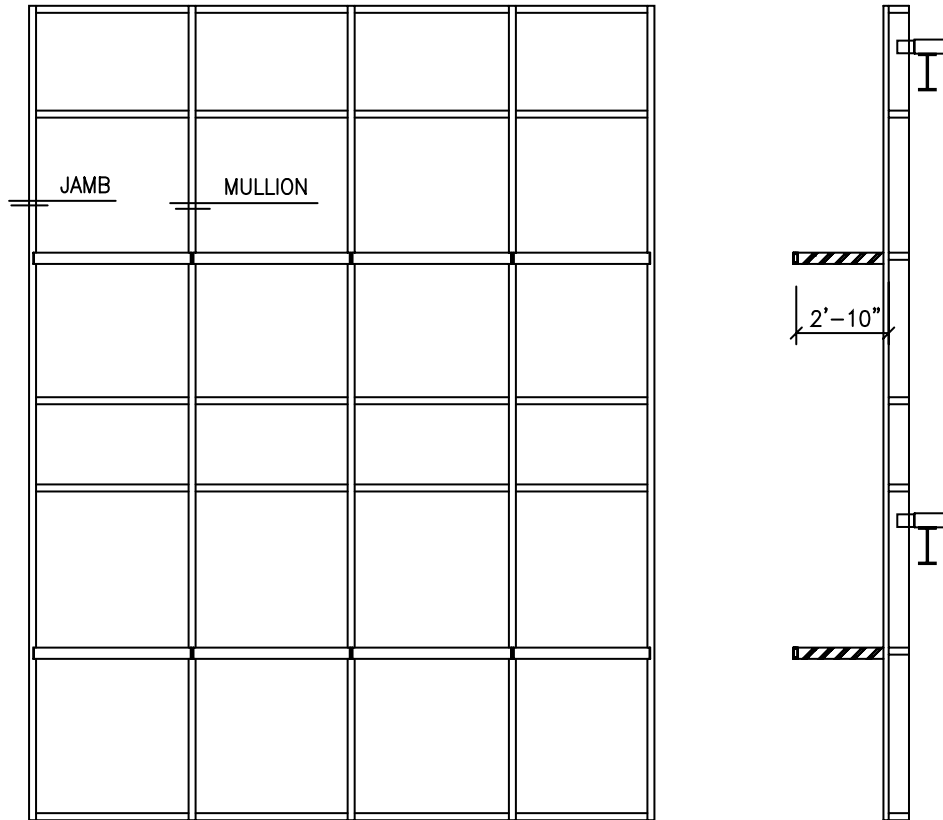


NARROW STILE OUTRIGGER
SHOWN ATTACHED TO CURTAIN WALL VERTICAL

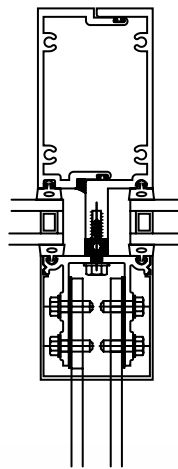


FM Graham Architectural Sundshades

ATTACHED TO F-M 2500 SERIES WALL

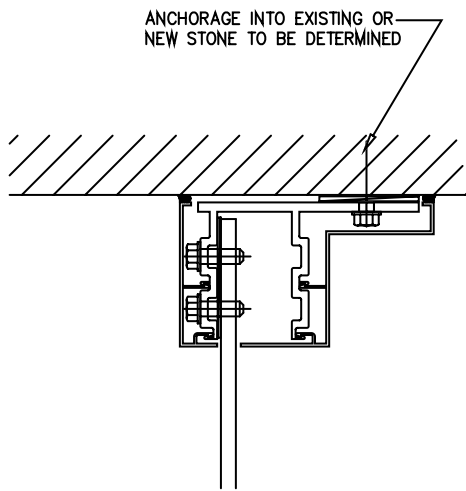
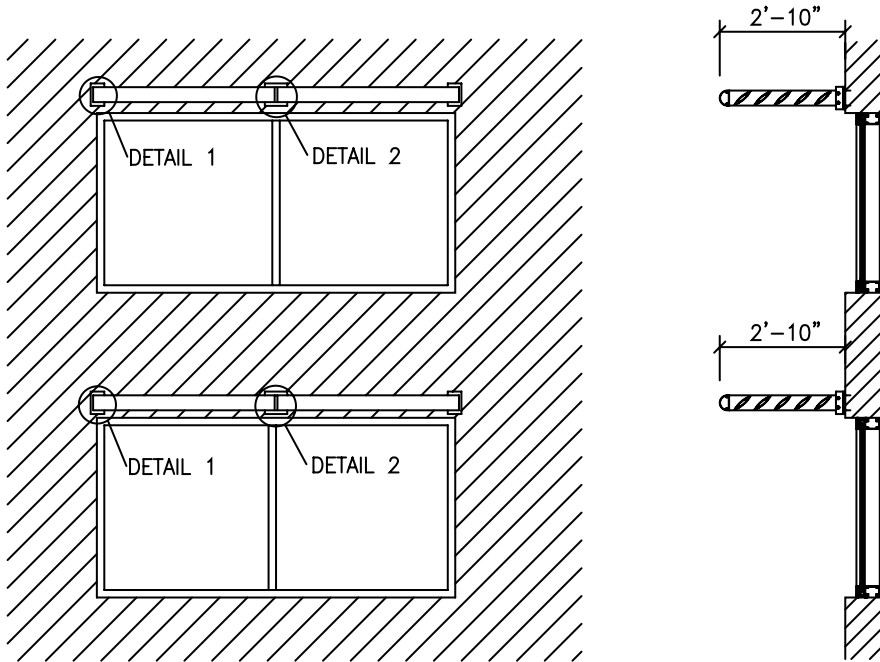


SUNSHADE AT JAMB

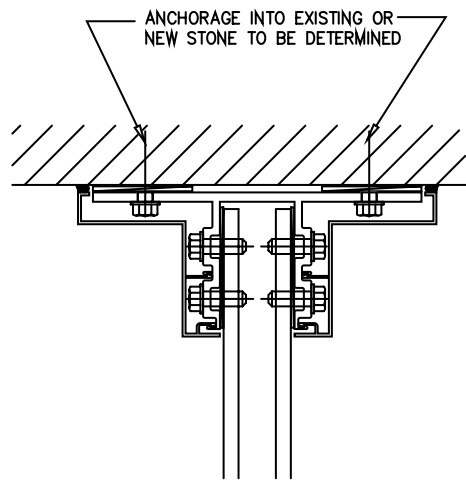


SUNSHADE AT MULLION

WALL MOUNTED OPTION



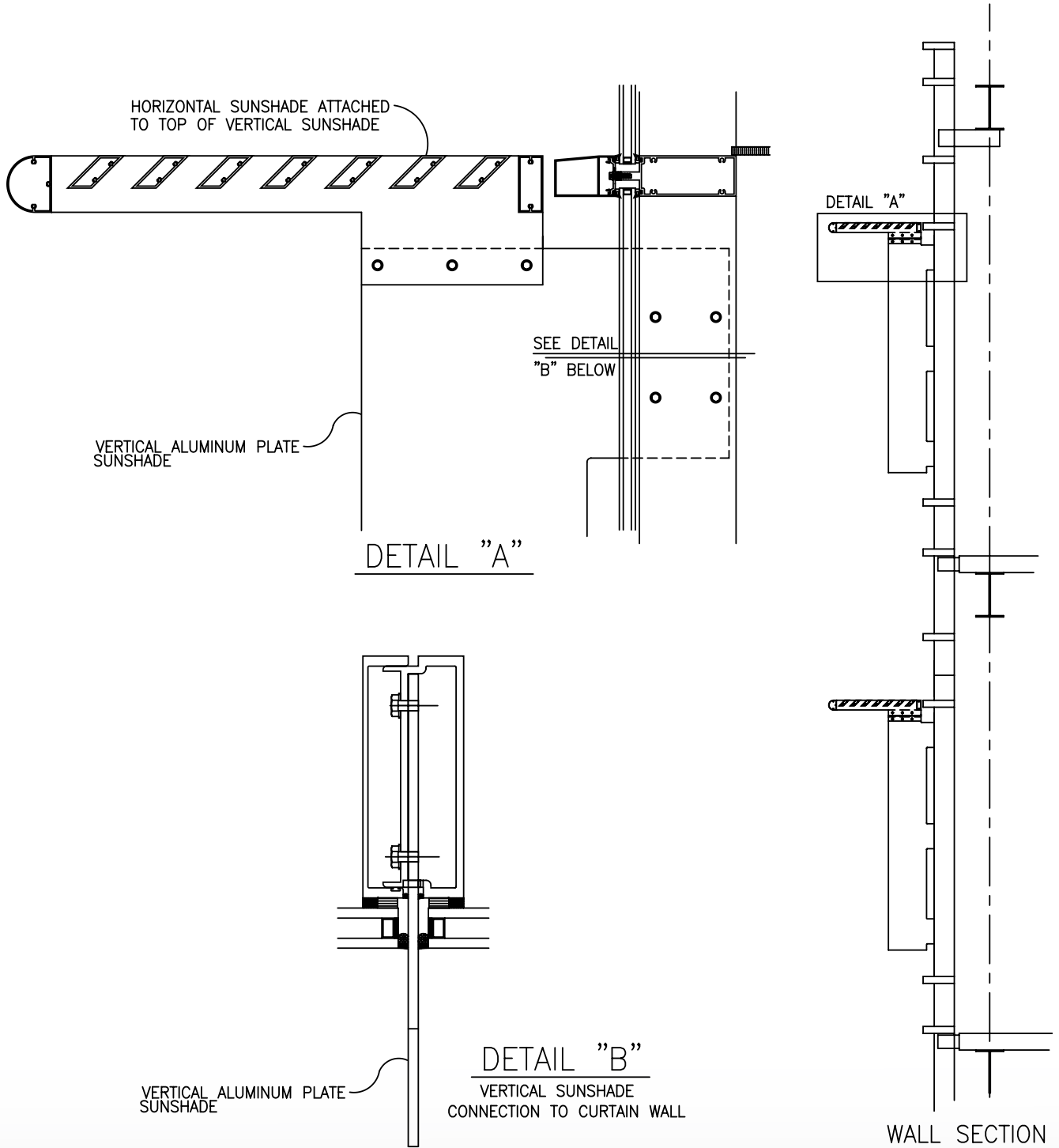
DETAIL 1
END CONNECTION



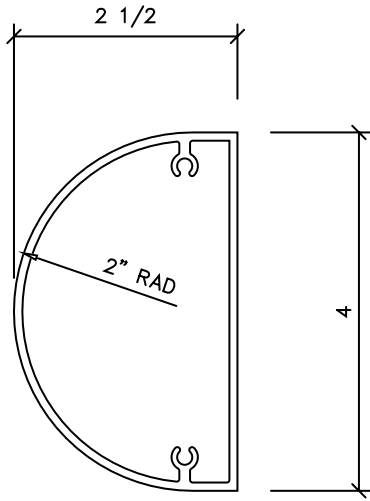
DETAIL 2
MID CONNECTION

FM Graham Architectural Sundshades

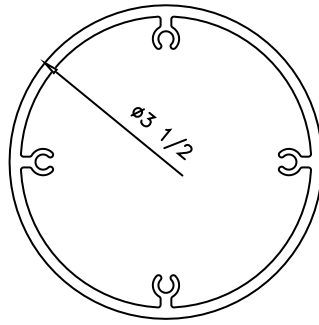
Architectural Sunshades VERTICAL AND HORIZONTAL SUNSHADES ATTACHED TO STRUCTURALLY GLAZED CURTAIN WALL



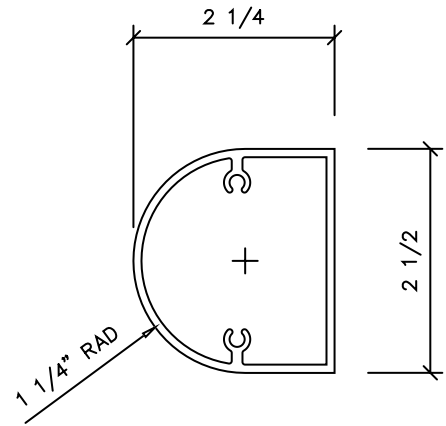
STANDARD FASCIA PROFILES



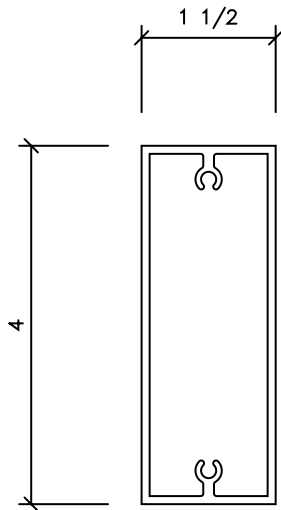
4" WIDE ROUND



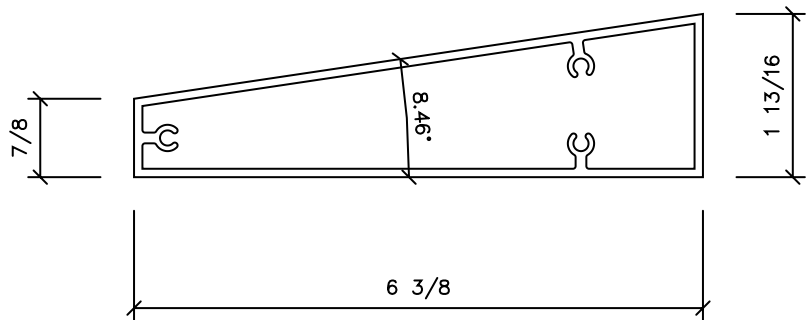
3 1/2" ROUND



2 1/2" WIDE ROUND

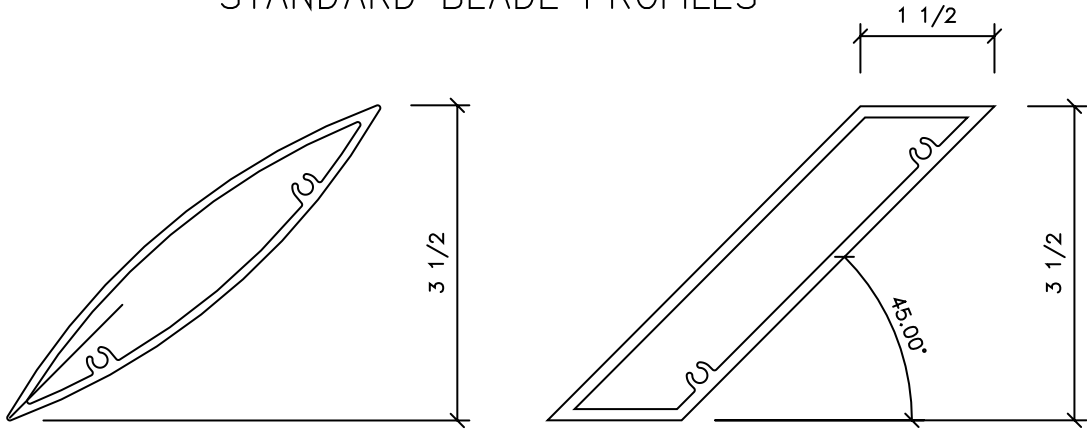


4" SQUARE



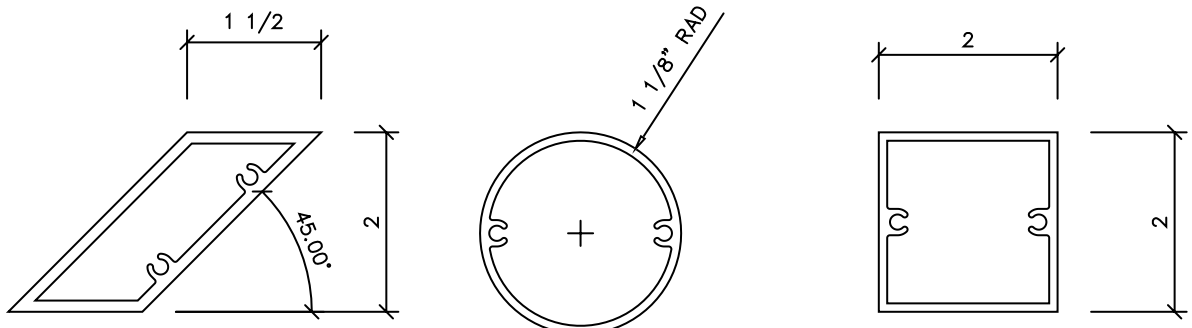
WEDGE

STANDARD BLADE PROFILES



3 1/2" AIRFOIL

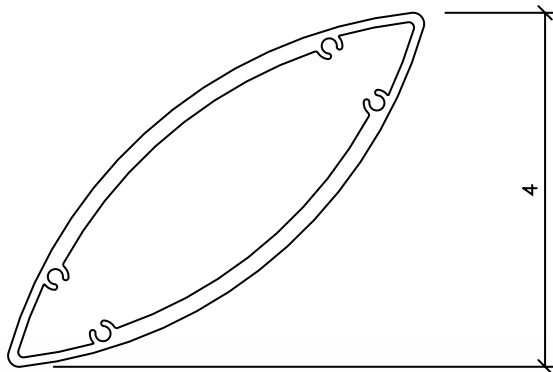
1 1/2"x3 1/2" PLANER



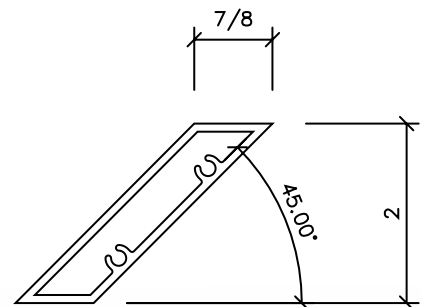
1 1/2"x2" PLANER

2 1/4" DIAMETER

2" SQUARE



3 1/2" AIRFOIL



7/8"x2" PLANER