

Graham

# Accessories – 2 1/4" Products

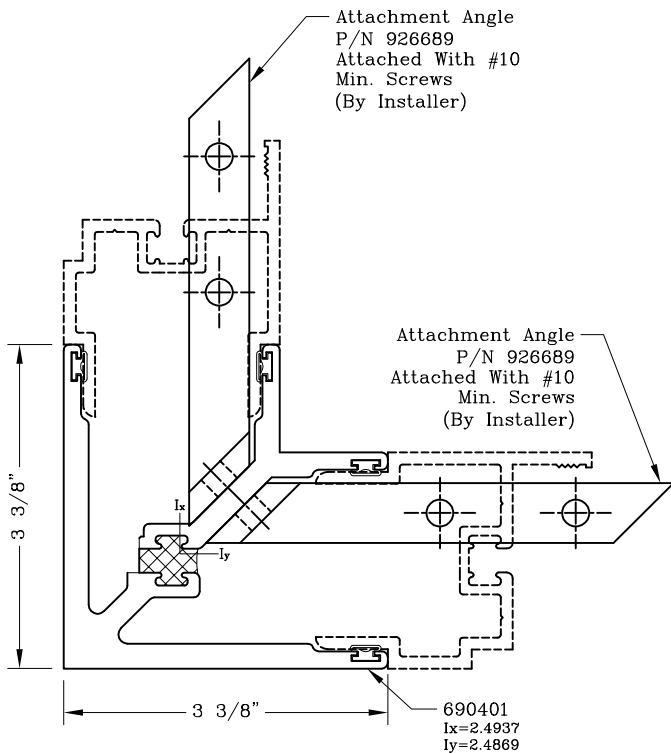


Architectural Products

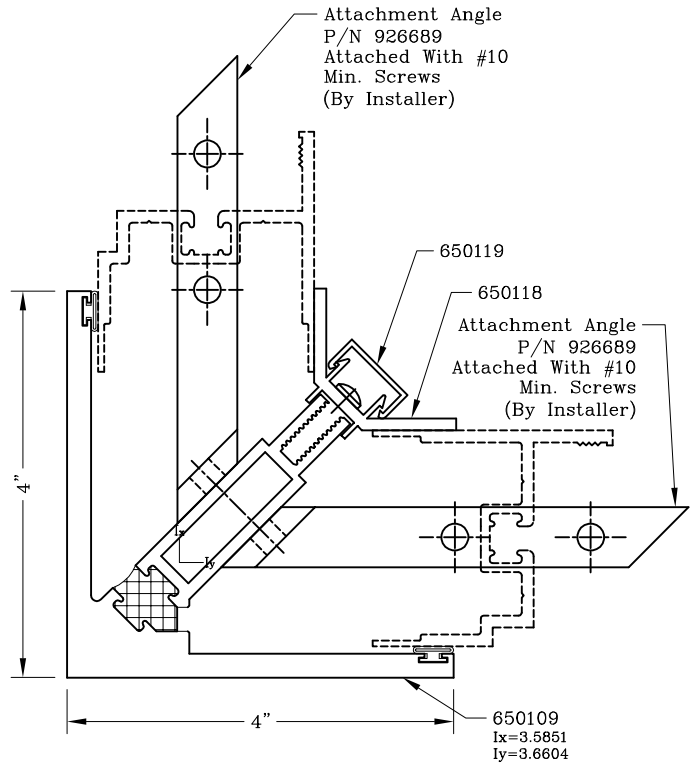
Series: Accessories Manufacturing Code: AC01C

Drawing 1/2 Scale – For Custom Size Drawing Contact Graham

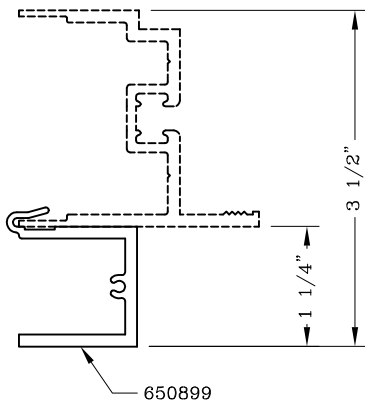
Note: Sealant Not Shown On Details. Consult Technical Services At Factory For Sealing Procedures.



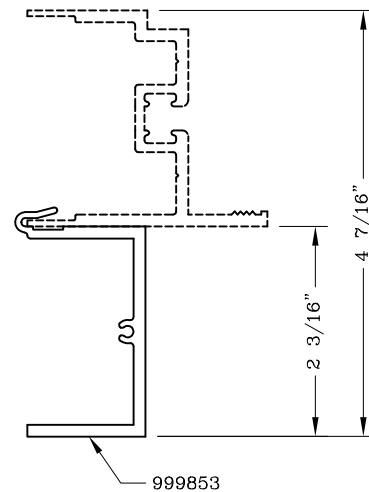
90° Corner Mull



3 Piece 90° Corner Mull



1 1/4" Frame Extender



2 3/16" Frame Extender