

Graham

# Accessories – 2 1/4" Products

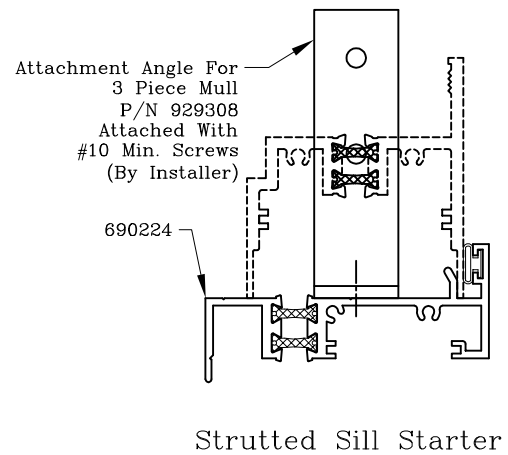
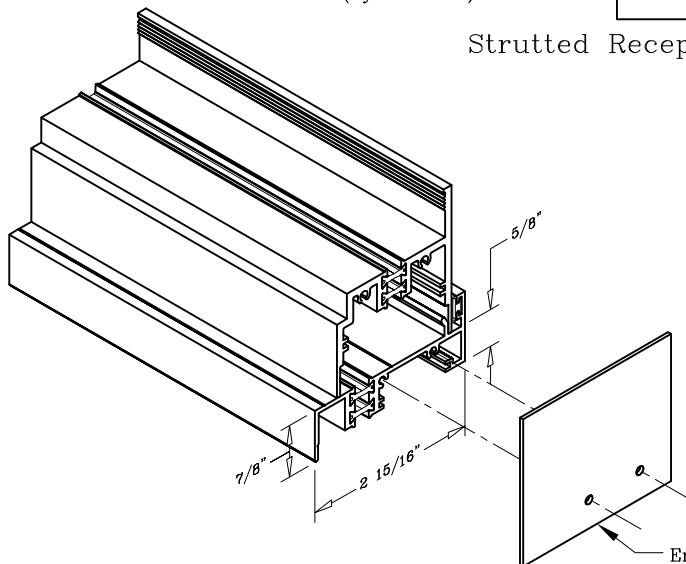
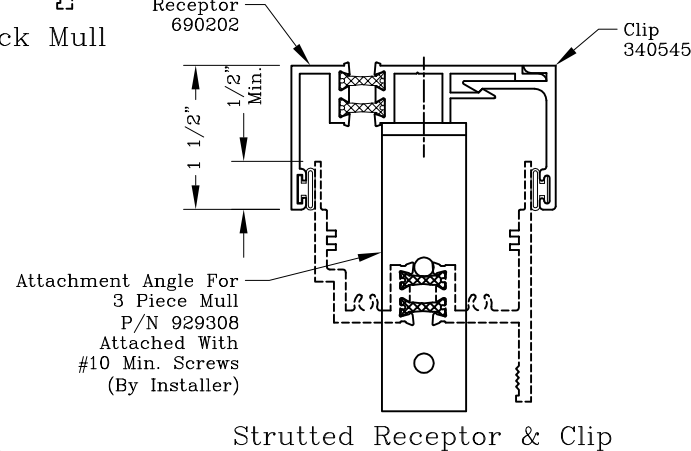
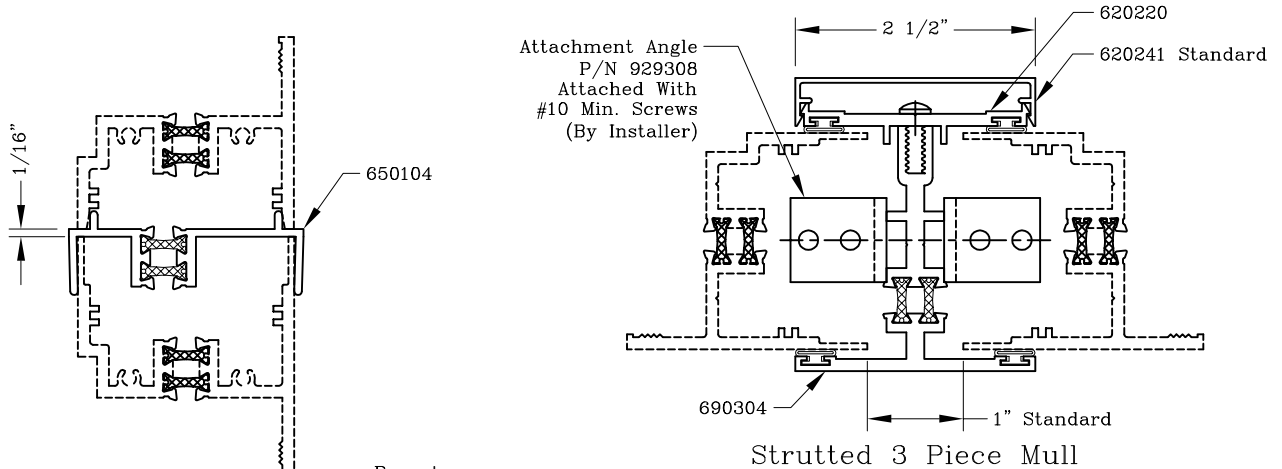


Architectural Products

Series: Accessories Manufacturing Code: AC01D

Drawing 1/2 Scale – For Custom Size Drawing Contact Graham

Note: Sealant Not Shown On Details. Consult Technical Services At Factory For Sealing Procedures.



Note: Accessories Shown Here Must Be Used With Perimeter Frame

1551 Mt. Rose Avenue, York, Pennsylvania 17403-2909 • 800/755-6274 • Fax: 800/366-5097

Web Site: [www.grahamwindows.com](http://www.grahamwindows.com)

0408 – AC.01D