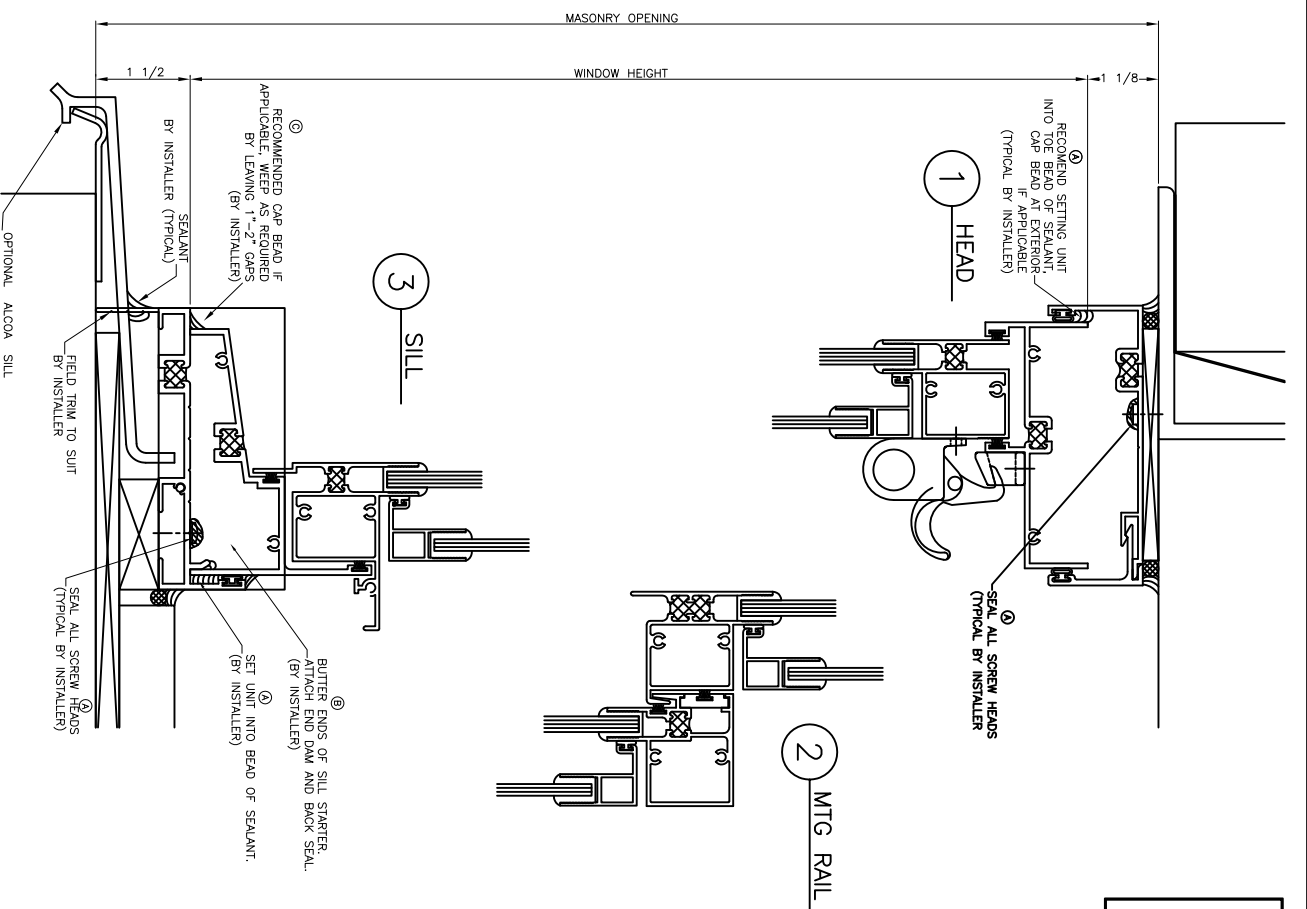


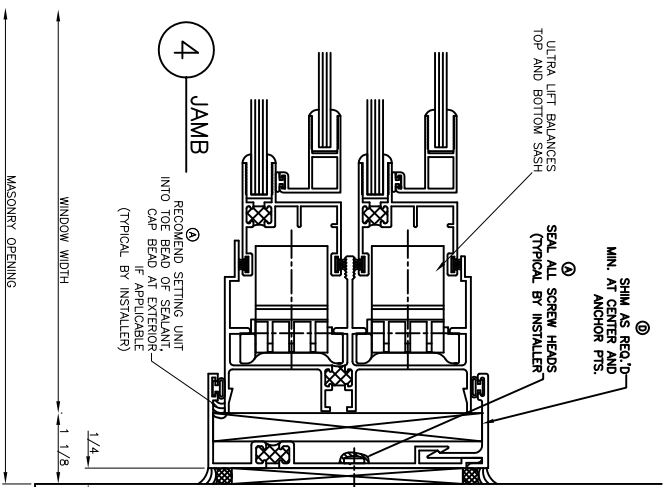
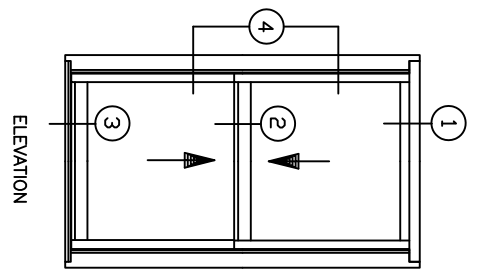
GRAHAM

SERIES 2275 CG
 4" FRAME DEPTH
 DH HC40
 GUARDIAN SPLIT SASH GLAZING

WITH RECEPTOR SYSTEM FOR NEW CONSTRUCTION
 OR METAL SASH REPLACEMENT IN BRICK OPENING



3



DRAWING NO.	PROJECT:	SERIES: 2200 MODEL: 2275 CG	DRAWN BY:	REVISIONS		
				A	SEALANT NOTE ADDED	08-01
SHEET NO.	SCALE:		DATE:	B	ADDED END DAM	08-01
				C	NOTE ADDED PER I.S.	10-01
			CHECK BY:	D	NOTE ADDED	08-10
			DATE:			