

# Attached Contoured Panning Contoured

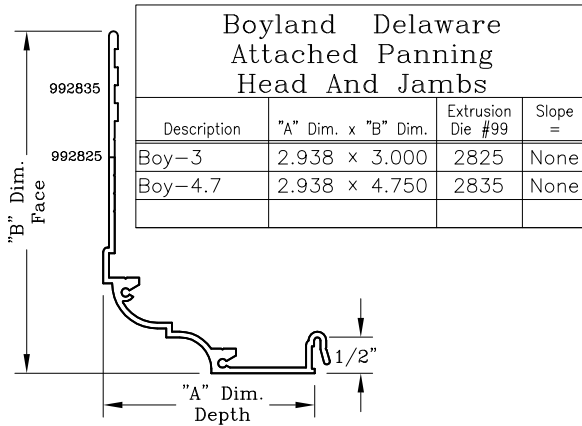


Series: Accessories Manufacturing Code: PN11

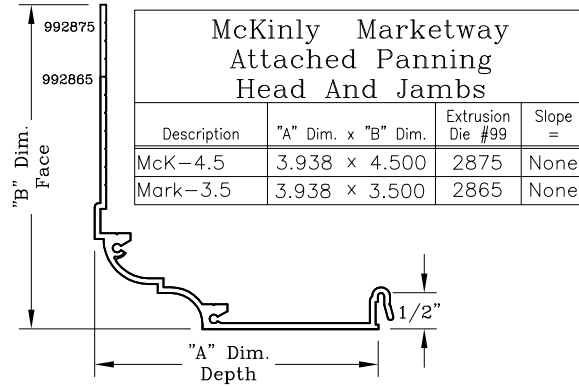
Drawing 3/8 Scale – For Custom Size Drawing Contact Graham

Note: Sealant Not Shown On Details. Consult Technical Services At Factory For Sealing Procedures.

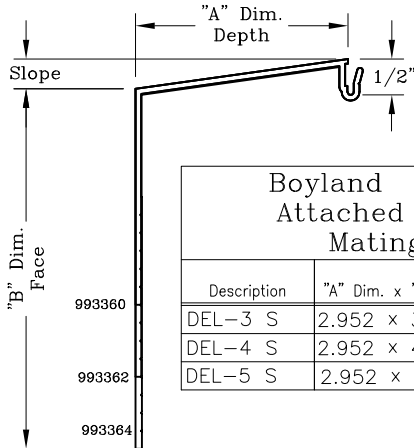
Note: Pre-Set Panning Requires The Use Of Equal Leg Sill On Window



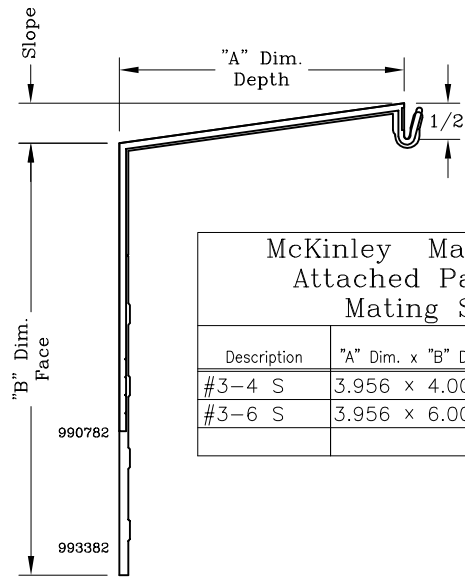
Boyland Delaware Attached Panning Head And Jambs			
Description	"A" Dim. x "B" Dim.	Extrusion Die #99	Slope =
Boy-3	2.938 x 3.000	2825	None
Boy-4.7	2.938 x 4.750	2835	None



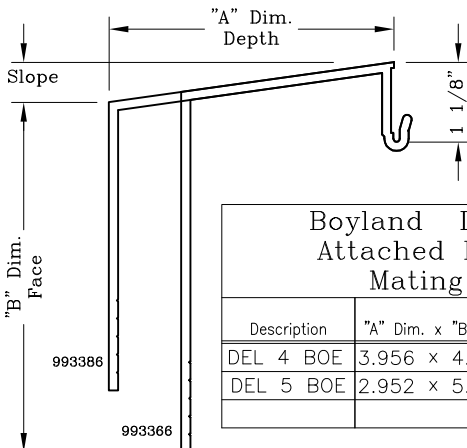
McKinly Marketway Attached Panning Head And Jambs			
Description	"A" Dim. x "B" Dim.	Extrusion Die #99	Slope =
McK-4.5	3.938 x 4.500	2875	None
Mark-3.5	3.938 x 3.500	2865	None



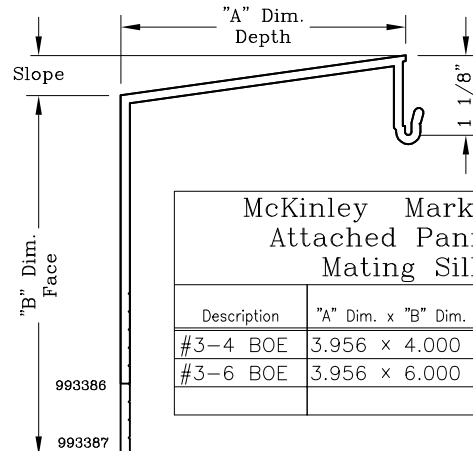
Boyland Delaware Attached Panning Mating Sill			
Description	"A" Dim. x "B" Dim.	Extrusion Die #99	Slope =
DEL-3 S	2.952 x 3.000	3360	.415
DEL-4 S	2.952 x 4.000	3362	.415
DEL-5 S	2.952 x 5.000	3364	.415



McKinly Marketway Attached Panning Mating Sill			
Description	"A" Dim. x "B" Dim.	Extrusion Die #99	Slope =
#3-4 S	3.956 x 4.000	0782	.556
#3-6 S	3.956 x 6.000	3382	.556



Boyland Delaware Attached Panning Mating Sill			
Description	"A" Dim. x "B" Dim.	Extrusion Die #99	Slope =
DEL 4 BOE	3.956 x 4.000	3386	.556
DEL 5 BOE	2.952 x 5.000	3366	.415



McKinly Marketway Attached Panning Mating Sill			
Description	"A" Dim. x "B" Dim.	Extrusion Die #99	Slope =
#3-4 BOE	3.956 x 4.000	3386	.556
#3-6 BOE	3.956 x 6.000	3387	.556