

Graham

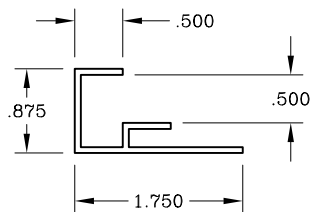
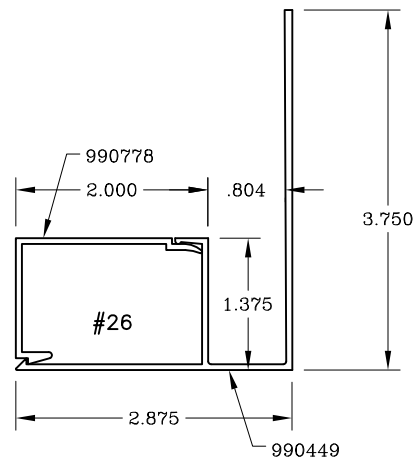
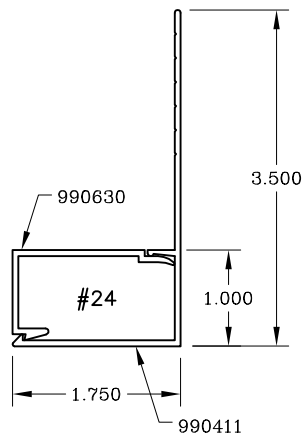
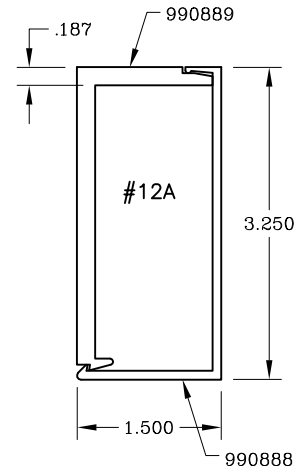
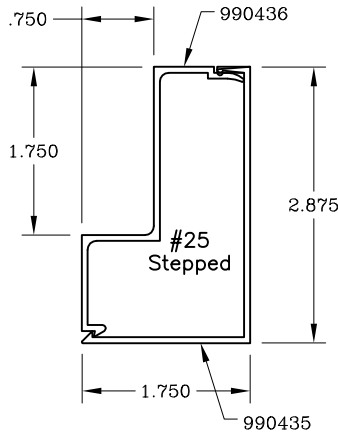
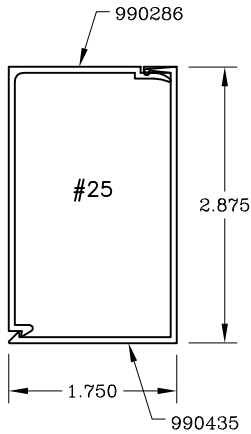
Interior Trim Assembly



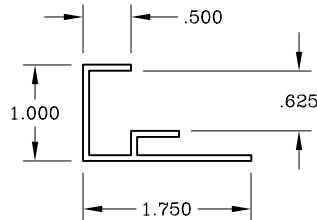
Architectural Products

Series: Accessories Manufacturing Code: TR04

Drawing 1/2 Scale - For Custom Size Drawing Contact Graham



1/2" Drywall Trim
(No Clip)
999438



5/8" Drywall Trim
(No Clip)
999440