

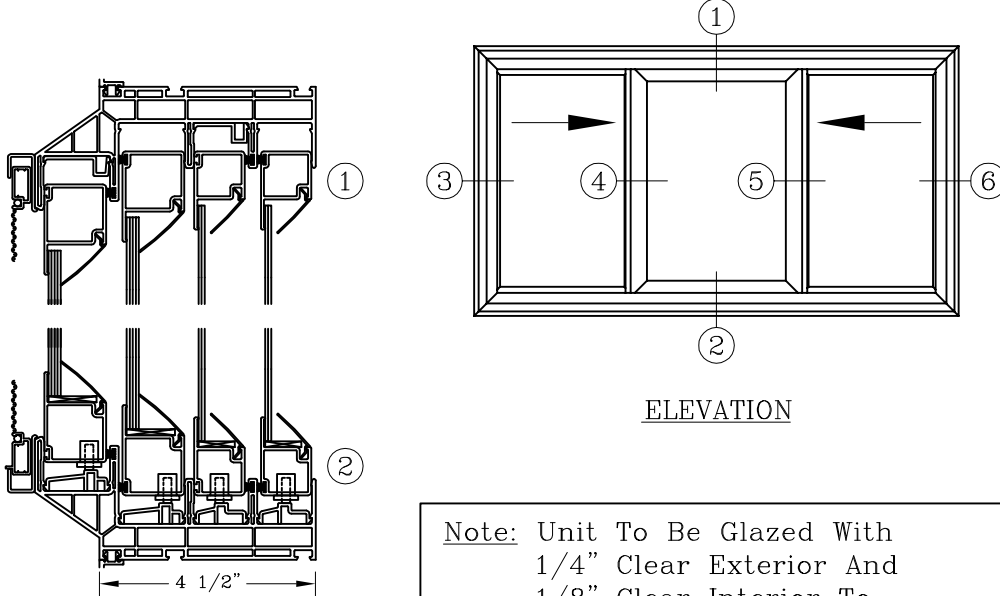
Acoustical Vinyl – 4 1/2” 4-Track Horizontal Slider



Series: ACUV0400 Manufacturing Code: ACUV04C

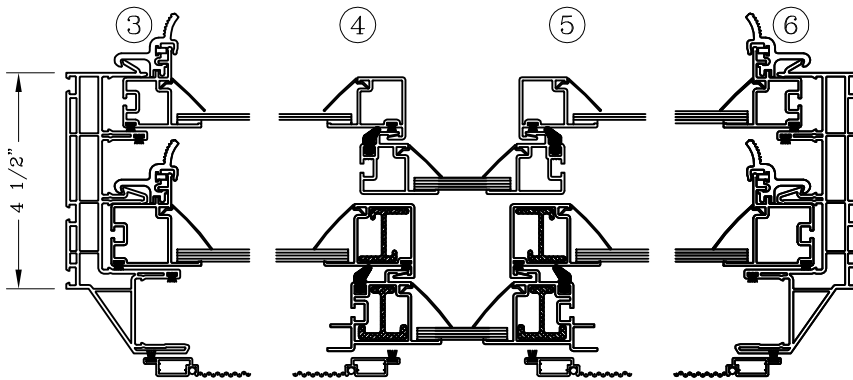
Drawing 1/4 Scale – For Custom Size Drawing Contact Graham

Note: Sealant Not Shown On Details. Consult Technical Services At Factory For Sealing Procedures.



ELEVATION

Note: Unit To Be Glazed With
1/4” Clear Exterior And
1/8” Clear Interior To
Achieve A STC 41 Rating.



<p>Panning – Optional (Head Shown)</p>	<p>Panning – Optional (Sill Shown)</p>	<p>Panning – Optional (Jamb Shown)</p>	<p>Trim – Optional (Interior Tape Applied) –Aluminum–</p>	<p><u>Screen Material</u> Standard: Fiberglass Charcoal Mesh Optional: Aluminum</p>
<p><u>Size Limits</u> Minimum: 21 1/2” by 14 1/4” (2 Panel) Minimum: 30 1/2” by 14 1/4” (3 Panel) Maximum: 96” by 60” (2 Panel) Maximum: 120” by 60” (3 Panel)</p>	<p><u>Color</u> White Vinyl Almond Vinyl</p>	<p><u>Glazing Options</u> Annealed or Tempered Glass Clear Grey or Bronze Tint Clear Laminated (Safety) Obscure Pattern #62 Low-E</p>	<p><u>Clear Opening</u> Width = $\frac{\text{Unit Width} - 10 \frac{7}{16}"}{3}$ Height = Unit Height – 5 1/8”</p>	

Inserts Used On All Heights

Note: Glazing May Be Limited To Meet Sound Transmission Specifications