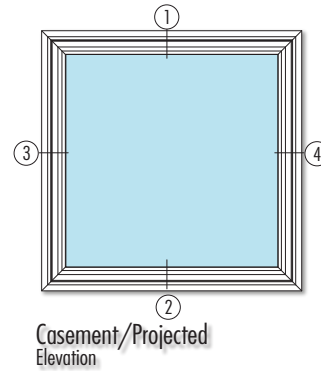
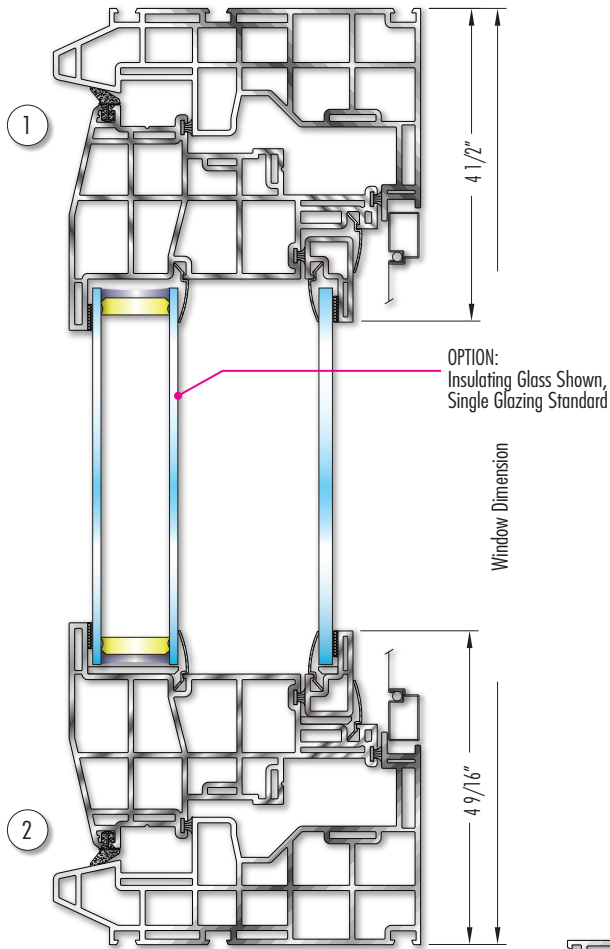
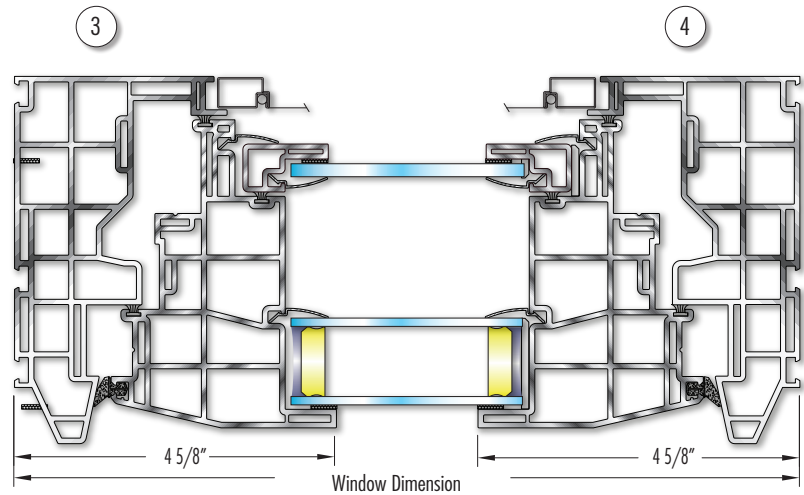


STANDARD PRODUCT DETAILS SHOWN
Accessory pieces shown for illustration purposes only.



Details Are Not Shown to Scale



SERIES V6900 4½" FRAME DEPTH PERFORMANCE CHARACTERISTICS

TYPE	AAMA RATING & TEST SIZE	AIR (cfm/ft²) at 50 mph	WATER (psf)	DESIGN PRESSURE (psf)	UNIFORM LOAD STRUCTURAL (psf)	U-VALUE (Btu/hr/ft²/°F)		CRF	STC
						Low-E Insulating Glass	Non- coated Glass		
CASEMENT/PROJ.	C-C40 32 x 60	0.05	6	45	60	0.20	0.23	87	40-44

See website for other available configurations