



OVERHEAD PULLEY COUNTER-BALANCED WINDOW FIELD ADJUSTMENT

The cable length may require field adjustment after the window is installed.

After loading the sash, slowly begin to close the sash.

If the sash will not close completely (DO NOT FORCE), the cable assembly is short and needs to be lengthened.

If the sash closes and the cross rails are separated as shown (Reference Figure 1), the cable assembly is too long and needs to be shortened.

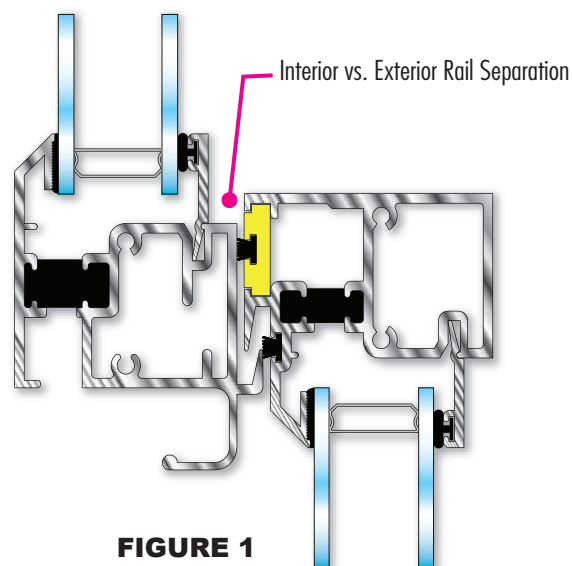


FIGURE 1

ADJUSTMENT PROCEDURE:

1. Remove both sashes from the frame.
2. Loosen the hex nut.
3. Disconnect connection assembly from the Sash Carrier Assembly (Reference figure 2 & figure 3).
4. Rotate the connection assembly as required:
Clockwise to lengthen assembly
Counter-clockwise to shorten assembly
5. Reconnect connection assembly to Sash Carrier; tighten the hex nut
6. Repeat the adjustment on the opposite jamb of the window

NOTE: (1) Left & Right side shoe assemblies need to be adjusted the same amount
(2) One rotation equals approximately 1/16" sash movement (shortened or lengthened)

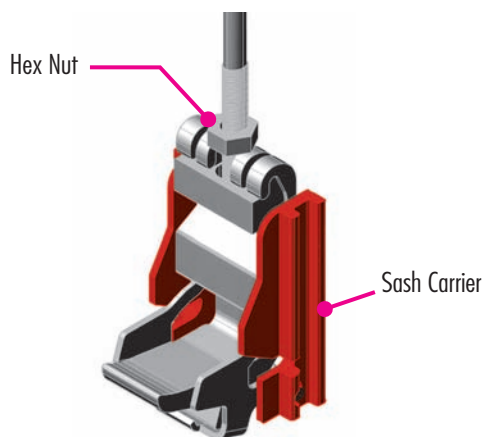


FIGURE 2

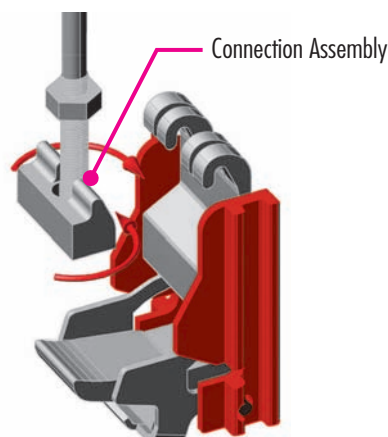


FIGURE 3