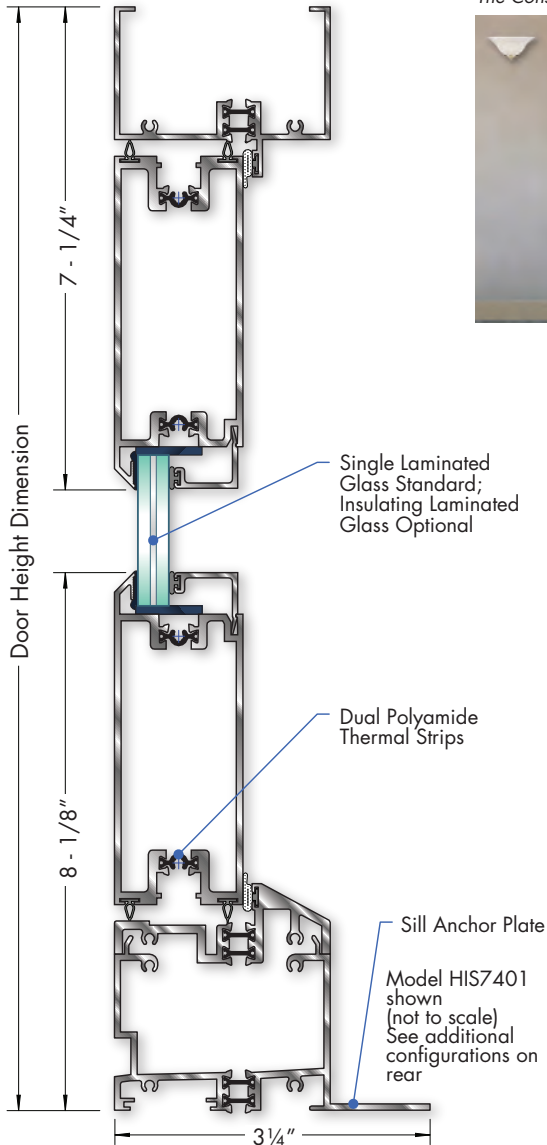


The Conservatory, Palm Coast, FL



University Commons, Chicago, IL



**STANDARD FEATURES**

- Terrace door for hurricane-impact resistance
- Provides ASTM level D, wind zone 4, large missile impact protection
- Offers passive protection from wind-borne debris - without shutters!
- Thermally improved with dual polyamide insulating strips for energy savings
- Sloped exterior glazing leg simulates historical putty-glazed profile
- Mulls to fixed and operable products of the same frame depth
- Sill anchor plate for simplified installation

**INSTALLATION METHODS**

- Through-frame anchors at head and jambs; trim and clip at sill \*
  - Receptor & subsill
- \* Currently approved

**OPTIONAL FEATURES**

- Fixed lites with matching grids
- Historic grids
- 1/2" ADA sill with 10 psf water performance - model 7402
- Hardware options
- Putty bead glazed door leaf

**SERIES HIS7400 3 1/4" FRAME DEPTH PERFORMANCE CHARACTERISTICS**

Type	Frame Depth (inches)	Series	Model Code	Glazing*	Missile		Florida Product Approval		Design Pressure (psf)		Water (psf)	Test Size (inches)
					Large	Small	Number	HVHZ	Pos (+)	Neg (-)		
Terrace Door	3 1/4	HIS7400	HIS7401	Single Lami	✓	Meets	8890.1	✓	70	70	12	42 x 96
Terrace Door	3 1/4	HIS7400	HIS7402	1 1/4" Insulating Lami	✓	Meets	11656.1	✓	80	110	15	39 1/2 x 96 1/2

\*Additional glazing and test configurations may be available - contact Graham.

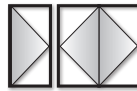
**Series HIS7400 TERRACE DOOR GENERAL SPECIFICATIONS & DETAILS**

- **Materials:**  
All frame and panel sections shall be thermally broken extruded aluminum shapes produced from commercial quality 6063-T5 alloy
- **Hardware:**  
Coated steel hardware with multi-point self-latching system and shoot bolts  
Barrel hinges  
Tested to TAS & ASTM impact performance standards
- **Finish Options:**  
AAMA 2603, 2604, & 2605, as well as powder coat and anodized finishes, are all available in a wide range of colors
- **Accessories:**  
Wide range of panning & trim options available

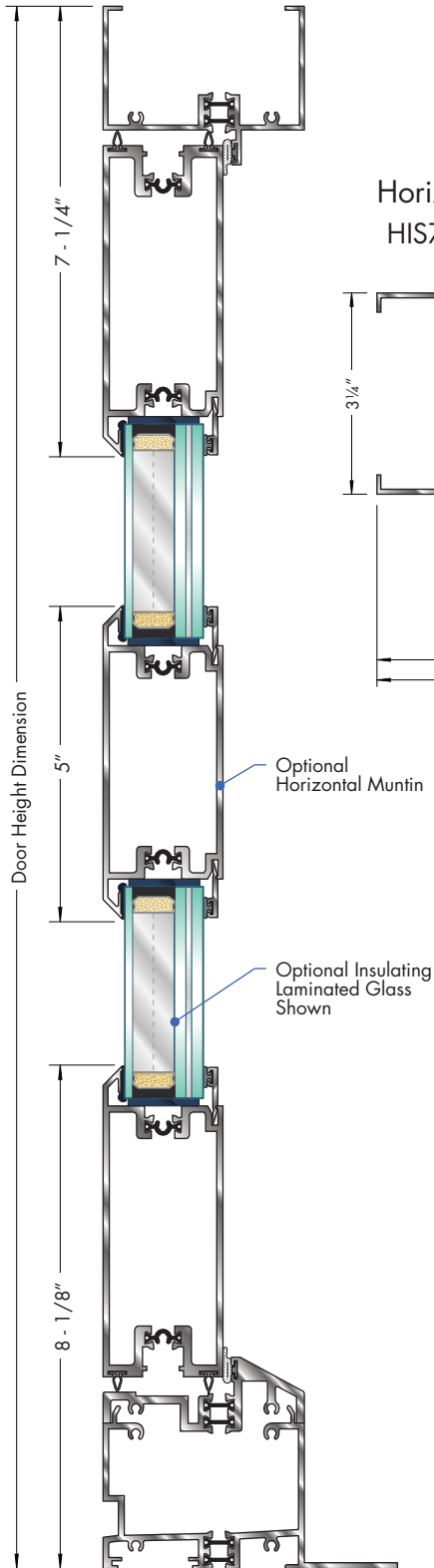
**TESTED TO:**  
ASTM E1886  
ASTM E1996  
TAS 201, TAS 202, TAS 203

**Series HIS7400** 3¼" Frame Depth  
**HURRICANE-RESISTANT**  
**TERRACE DOOR • Historic**

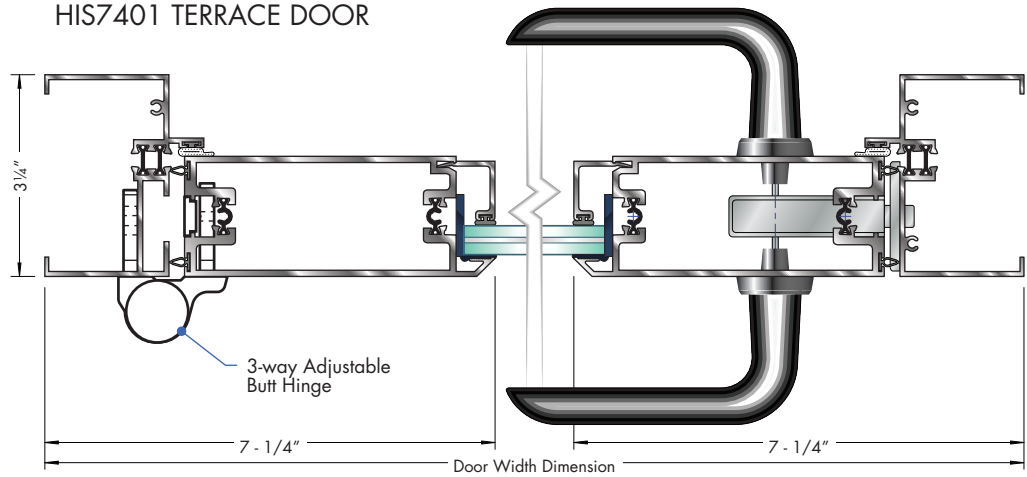
OPERATION



Vertical Cross Section (Not to scale)  
 HIS7403 TERRACE DOOR



Horizontal Cross Section (Not to scale)  
 HIS7401 TERRACE DOOR

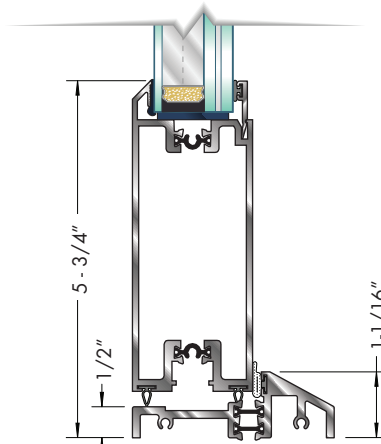


**HIS7401 Features**

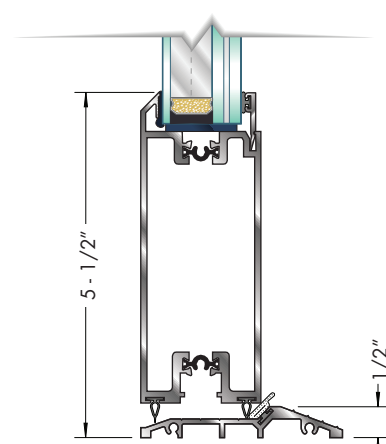
- Terrace door (single panel)
- Dual polyamide thermal strips in frame & panel(s)
- Single-glazed laminated glass; insulating lami optional
- Large missile +70/-70 DP performance

**HIS7403 Features**

- Terrace door with horizontal muntin; optional kickplate
- Dual polyamide thermal strips in frame & panel(s)
- Single-glazed laminated glass; insulating lami optional
- Large missile +70/-70 DP performance



Low Profile Sill Option Shown



ADA Sill Option Shown

\*PLEASE NOTE: The illustrations shown are informational only as anchorage requirements vary widely according to application, product size, and performance constraints. Contact Graham's Technical Services Department at 800-755-6274 for project application assistance.