

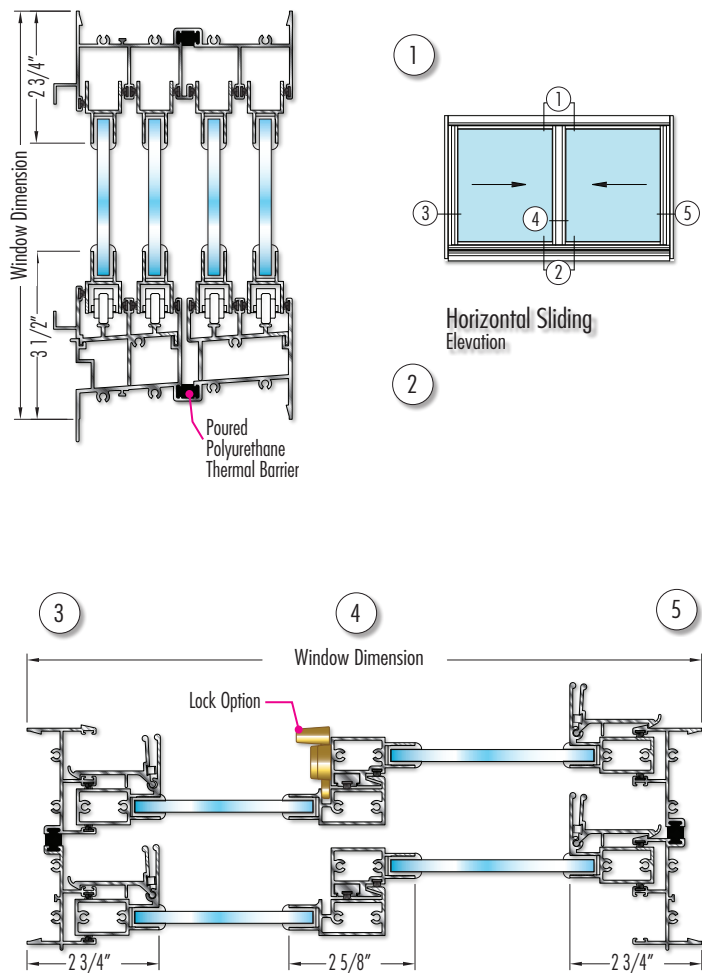
0400 SERIES DATA SHEET

TYPE	AAMA RATING & TEST SIZE	AIR (cfm/ft ² at 25 mph)	WATER (psf)	DESIGN PRESSURE (psf)	STRUCTURAL OVERLOAD (psf)	U-VALUE (BTU/hr/ft ² /°F) ¹	CRF	STC	OITC
HORIZ. SLIDING	LC-PG60 71 x 56	0.14	9	60	90	0.41 – 0.53	63	36 - 47	38 - 33

¹U-values will vary depending upon glazing selected

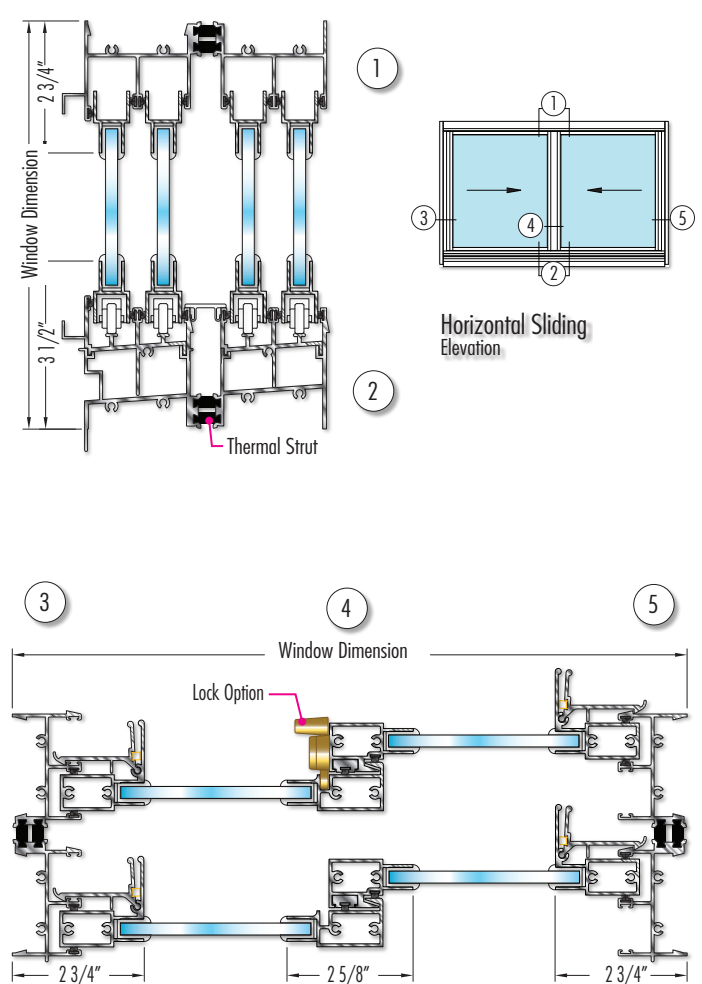
STANDARD PRODUCT DETAILS SHOWN

4.5" FRAME DEPTH



See website for other available configurations

5" FRAME DEPTH



Details Are Not Shown to Scale

Our products are tested to the standards of and certified by the American Architectural Manufacturer's Association and the National Fenestration Rating Council.



4-Track Horizontal Slider - 4 1/2"

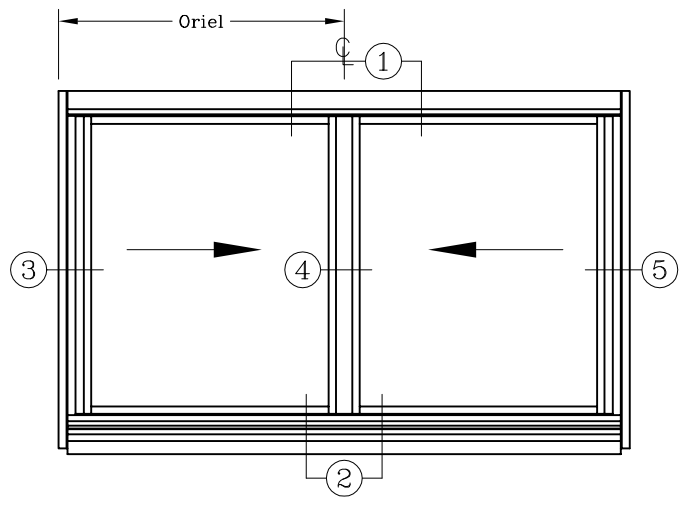
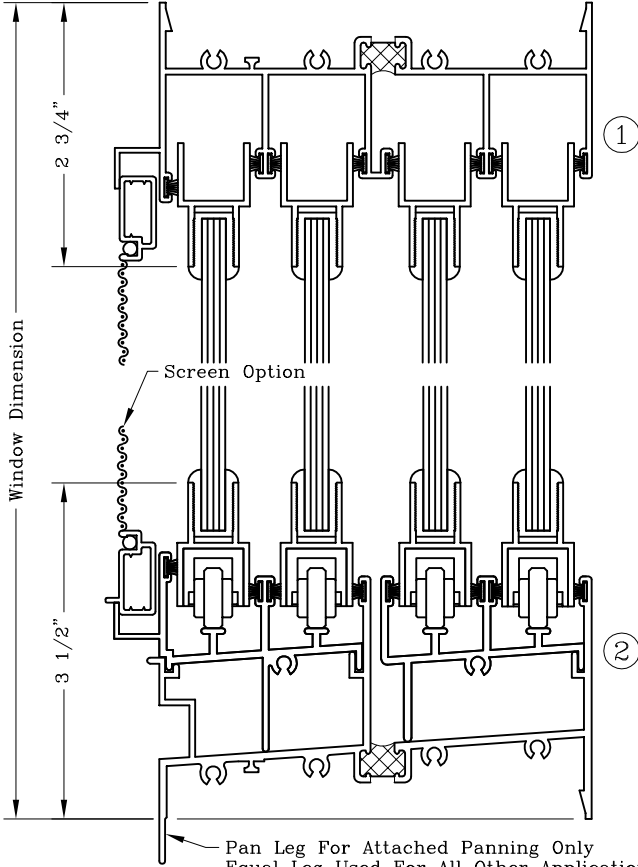


Series: 0400

Manufacturing Code: 0401

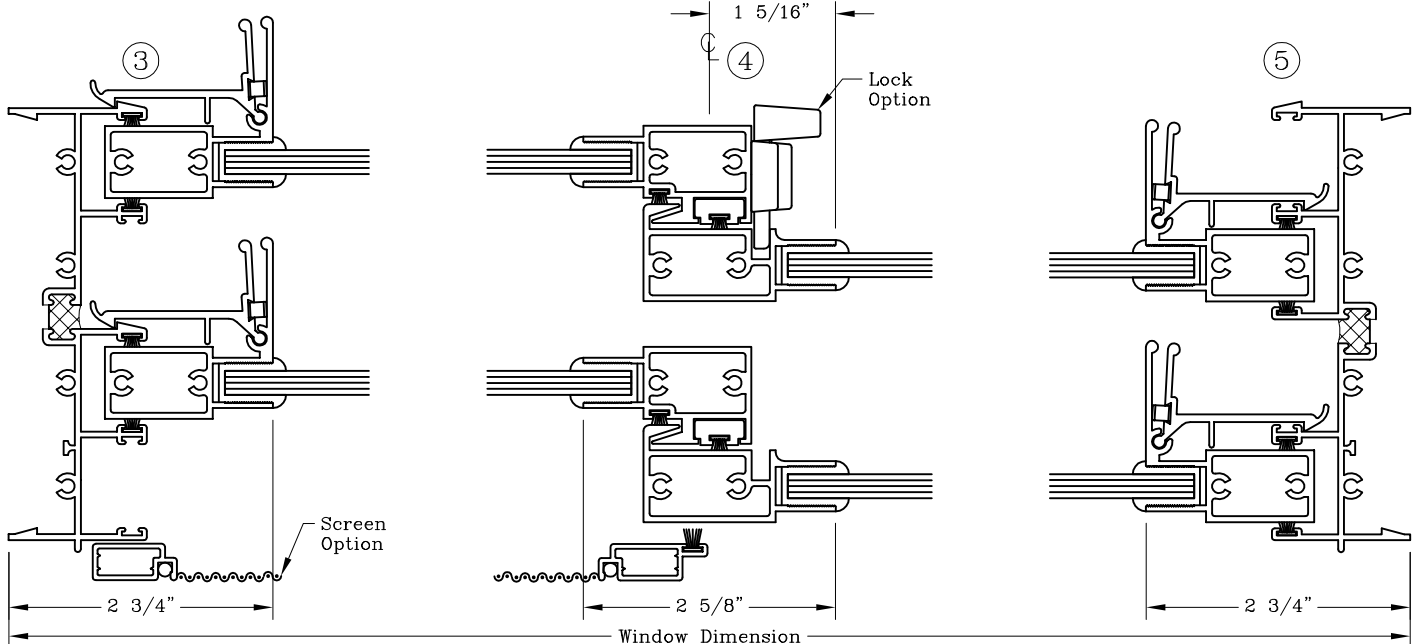
Drawing 1/2 Scale - For Custom Size Drawing Contact Graham

Note: Sealant Not Shown On Details. Consult Technical Services At Factory For Sealing Procedures.



ELEVATION
XX - Shown

Pan Leg For Attached Panning Only
Equal Leg Used For All Other Applications
Reference Frame Options Sheet 04.19



4-Track Horizontal Slider - 4 1/2"

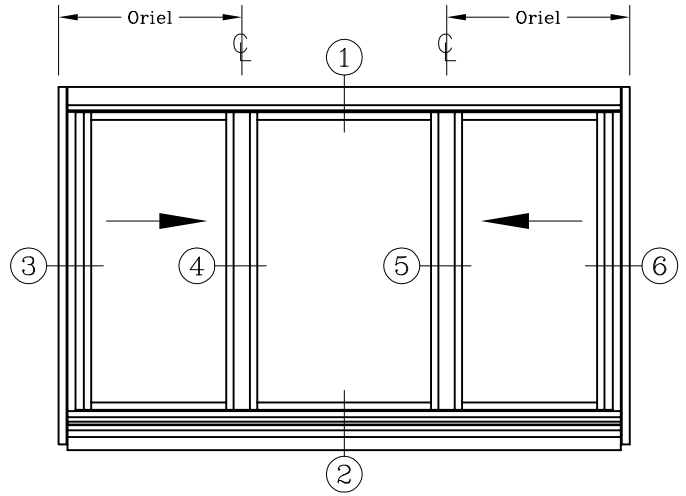
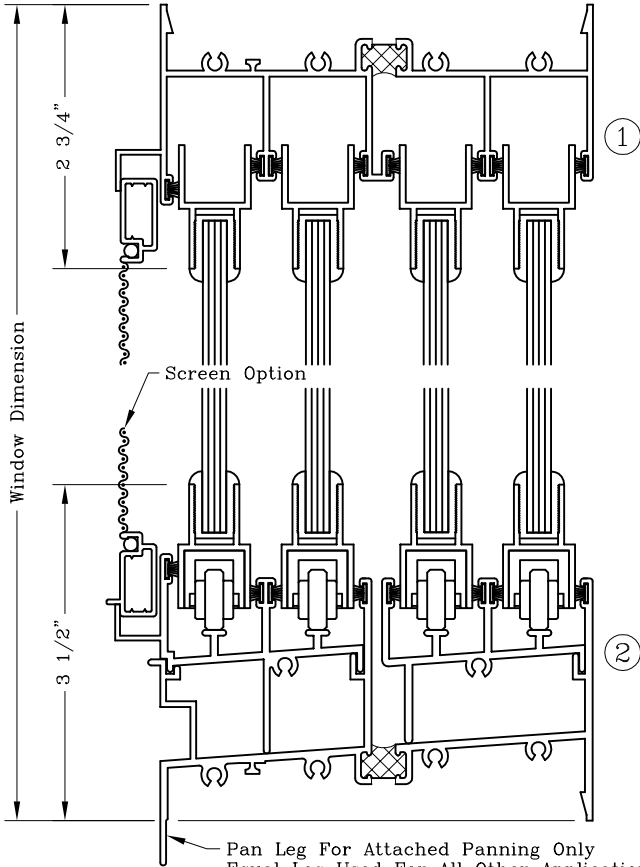


Series: 0400

Manufacturing Code: 0406

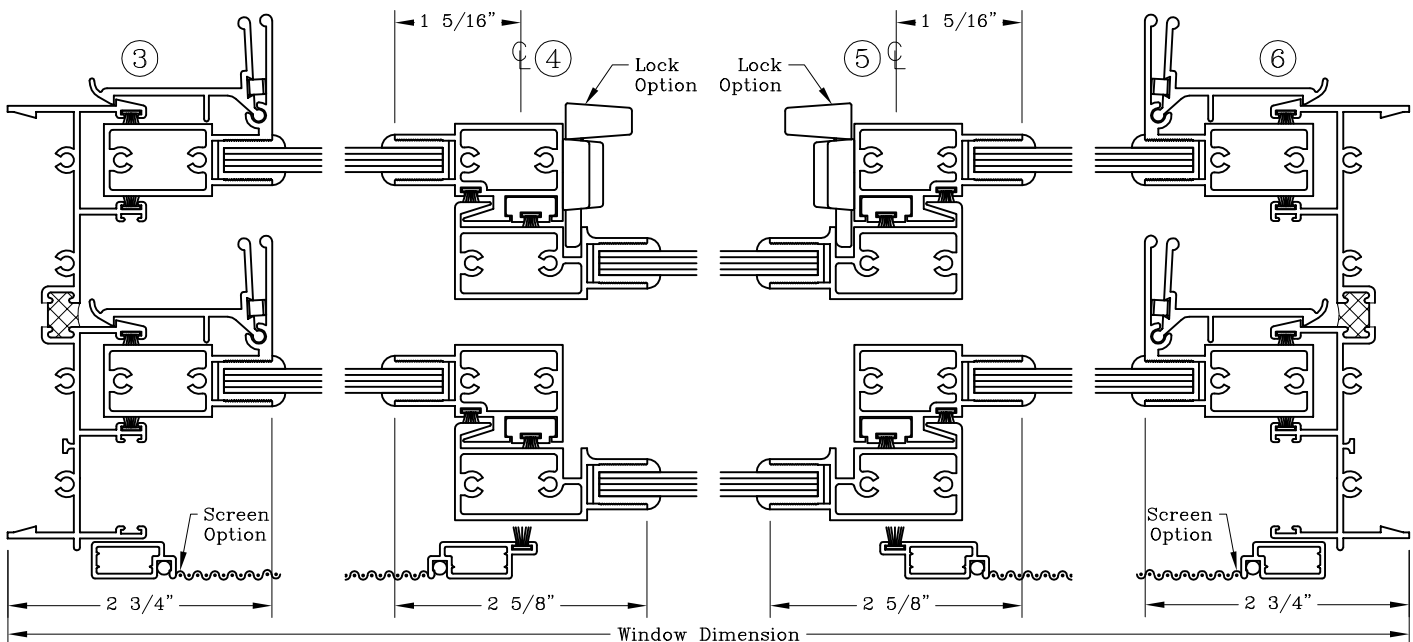
Drawing 1/2 Scale - For Custom Size Drawing Contact Graham

Note: Sealant Not Shown On Details. Consult Technical Services At Factory For Sealing Procedures.



ELEVATION
XOX - Shown

Pan Leg For Attached Panning Only
Equal Leg Used For All Other Applications
Reference Frame Options Sheet 04.19



4-Track Horizontal Slider - 4 1/2"

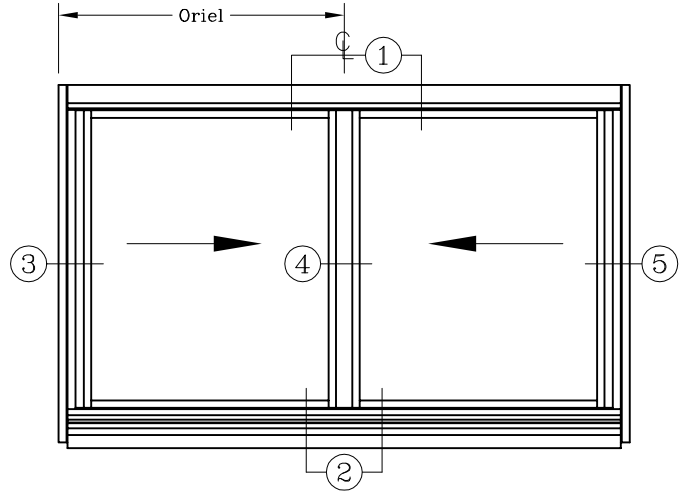
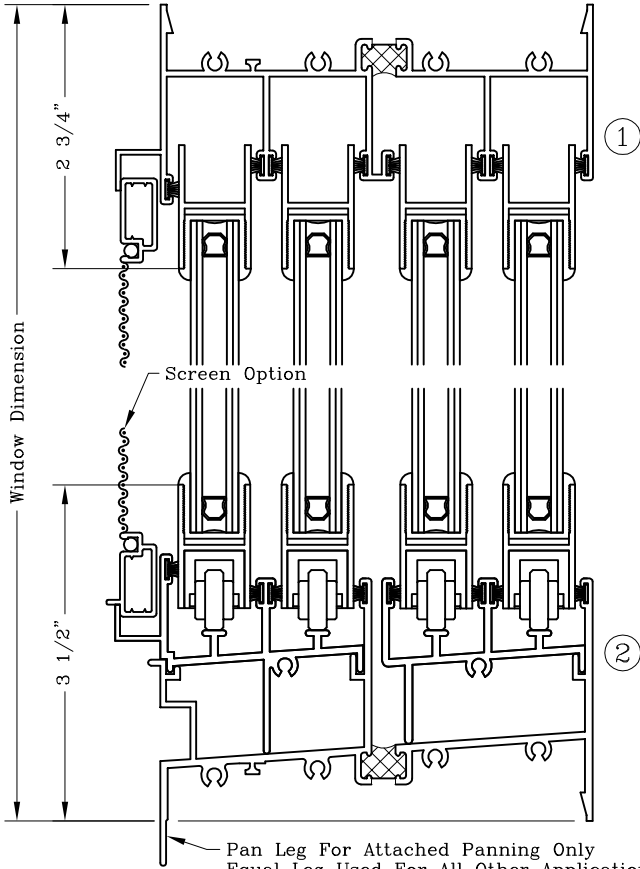


Series: 0400

Manufacturing Code: 0407

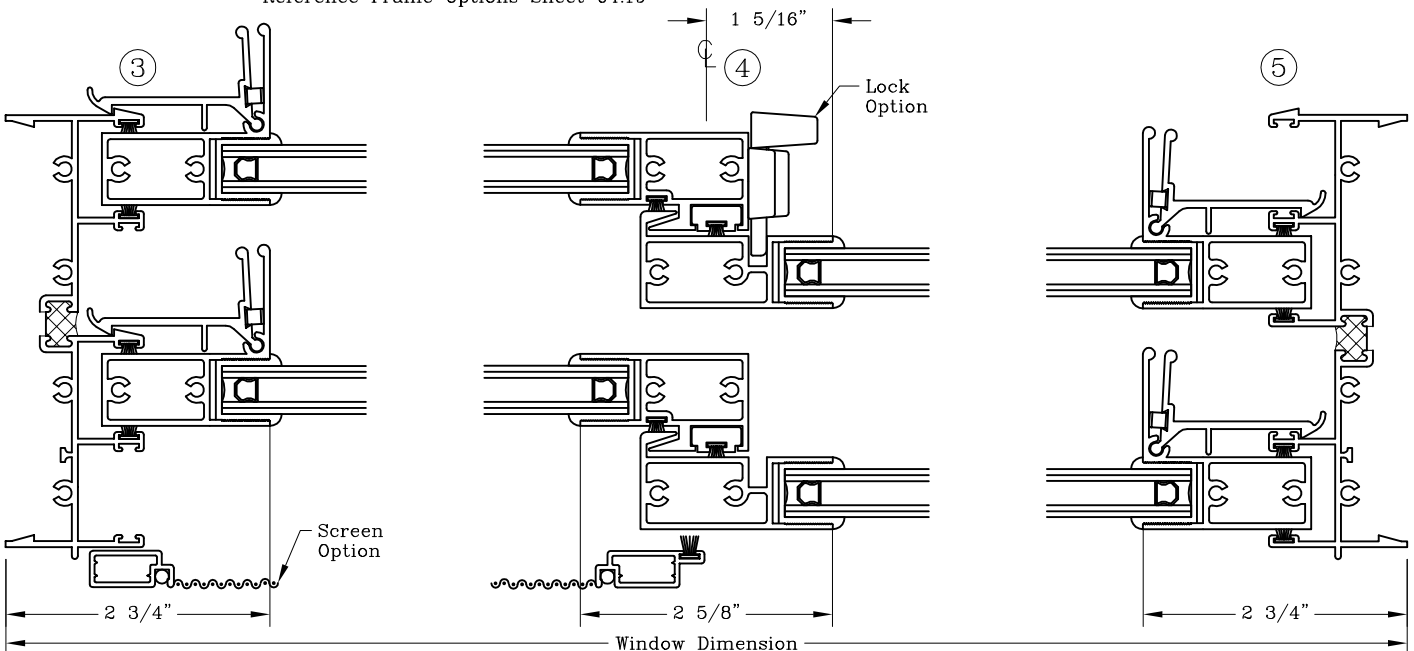
Drawing 1/2 Scale - For Custom Size Drawing Contact Graham

Note: Sealant Not Shown On Details. Consult Technical Services At Factory For Sealing Procedures.



ELEVATION
XX - Shown

Pan Leg For Attached Panning Only
Equal Leg Used For All Other Applications
Reference Frame Options Sheet 04.19



4-Track Horizontal Slider - 4 1/2"

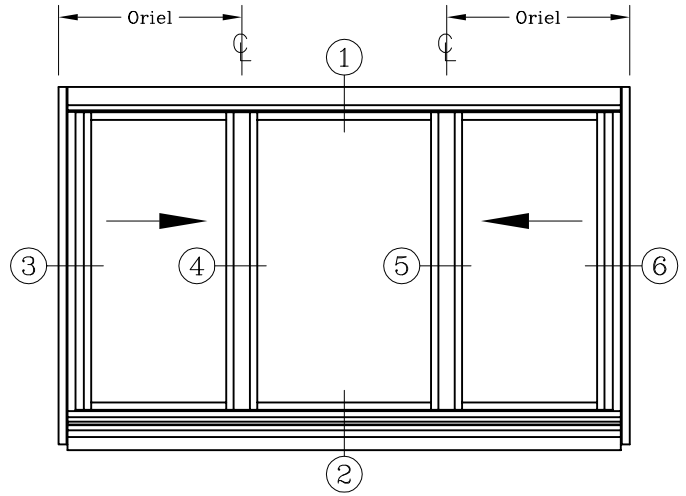
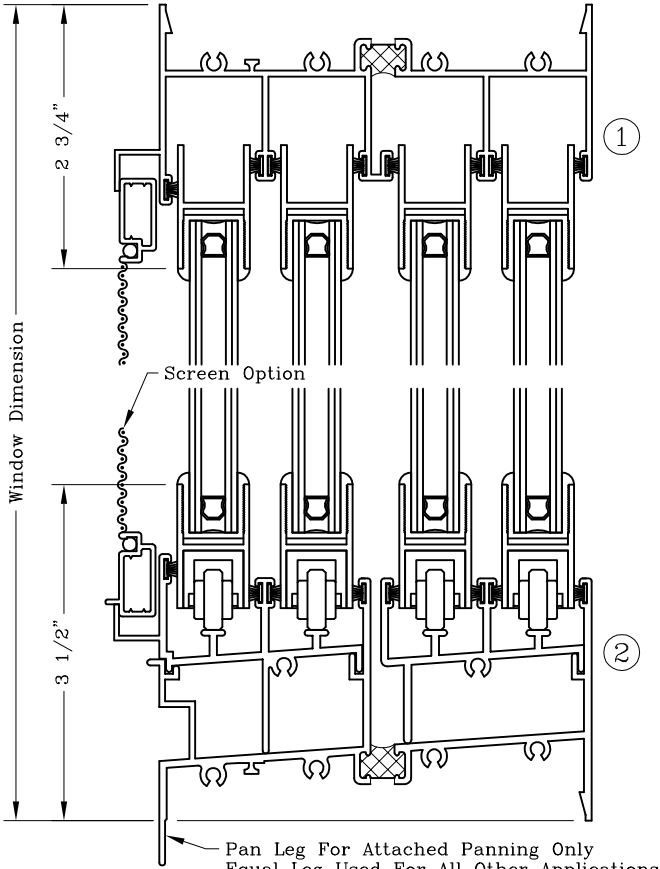


Series: 0400

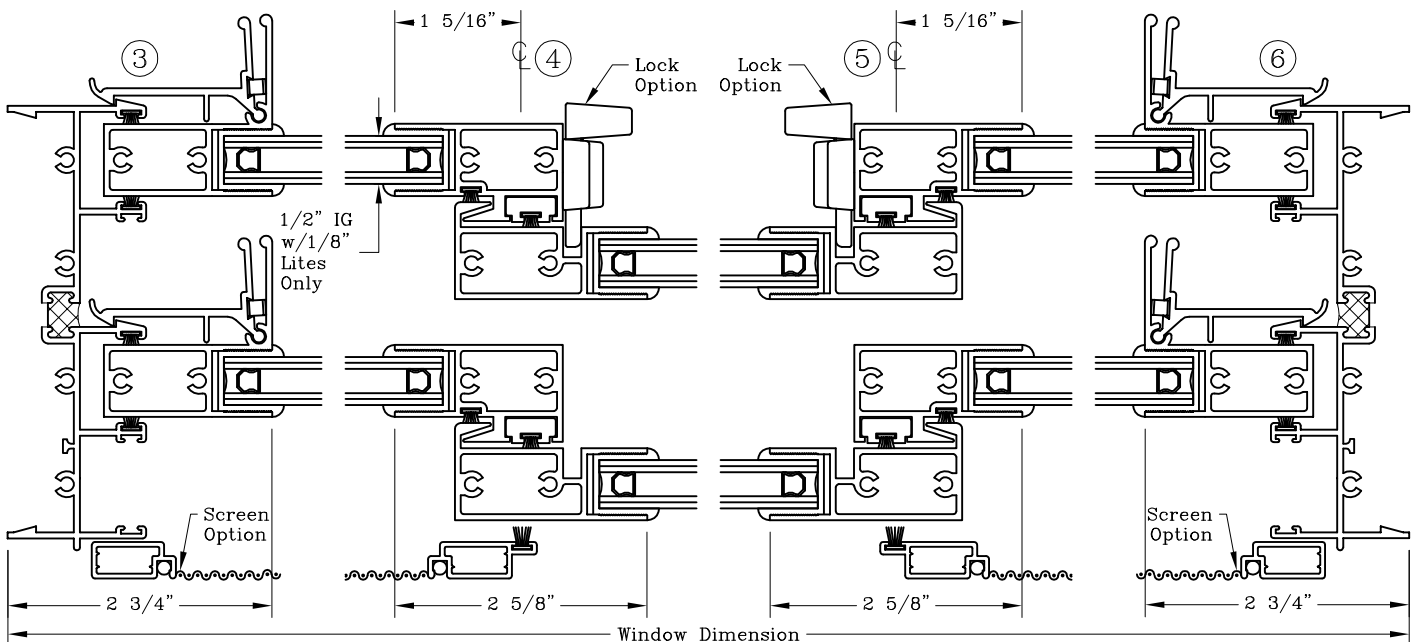
Manufacturing Code: 0408

Drawing 1/2 Scale - For Custom Size Drawing Contact Graham

Note: Sealant Not Shown On Details. Consult Technical Services At Factory For Sealing Procedures.



ELEVATION
XOX - Shown



Glazing Options - 4 1/2"

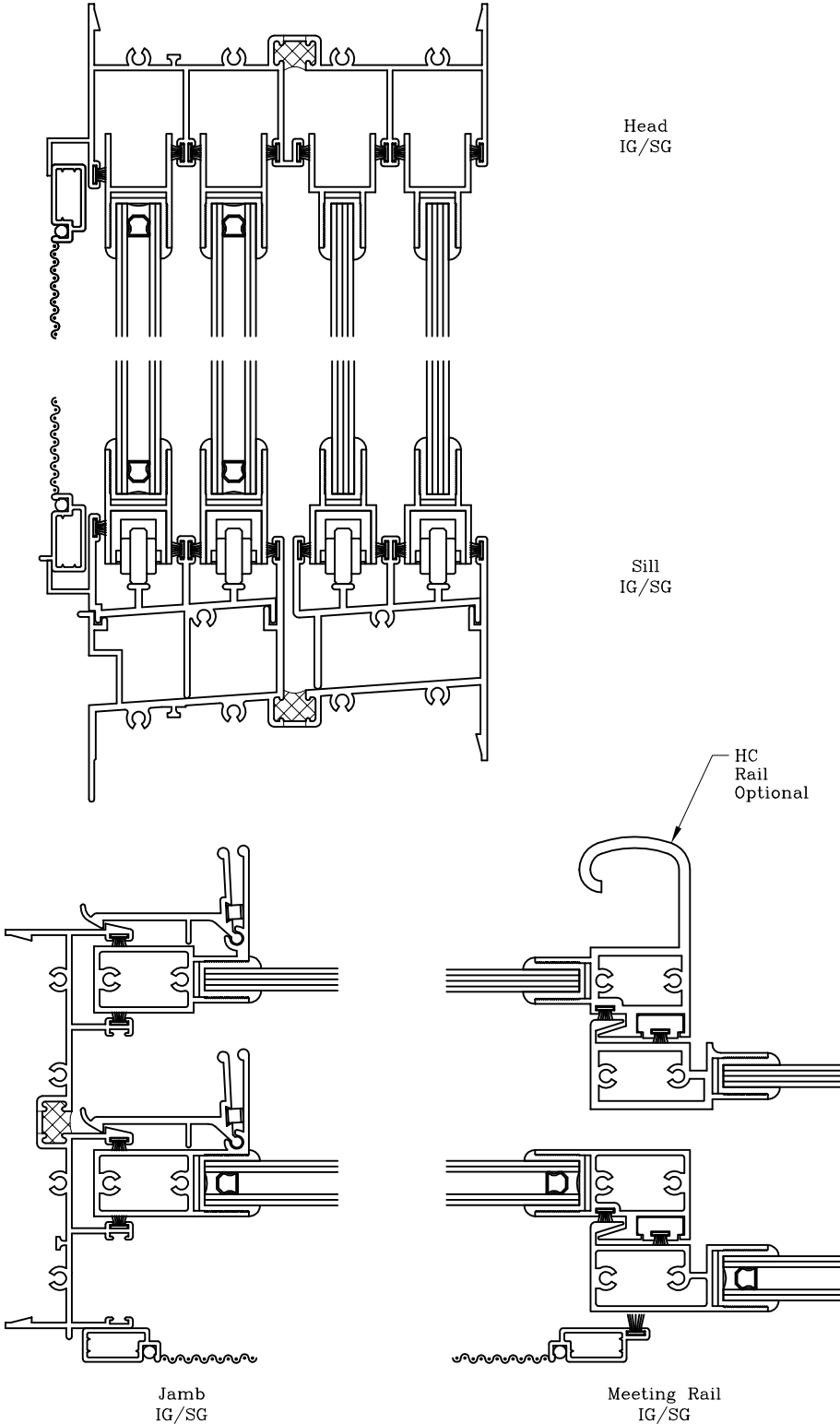


Series: 0400

Manufacturing Code: 0410

Drawing 1/2 Scale - For Custom Size Drawing Contact Graham

Note: Sealant Not Shown On Details. Consult Technical Services At Factory For Sealing Procedures.



Frame Options - 4 1/2"

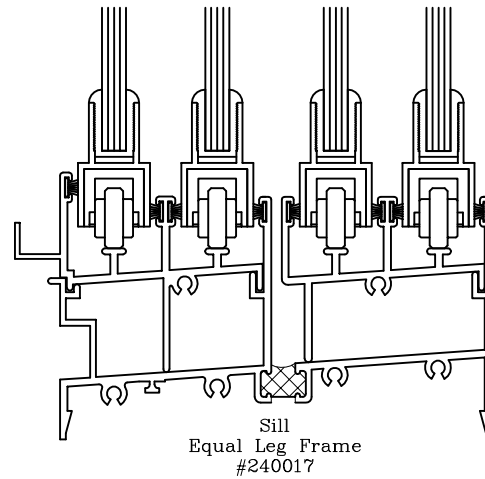
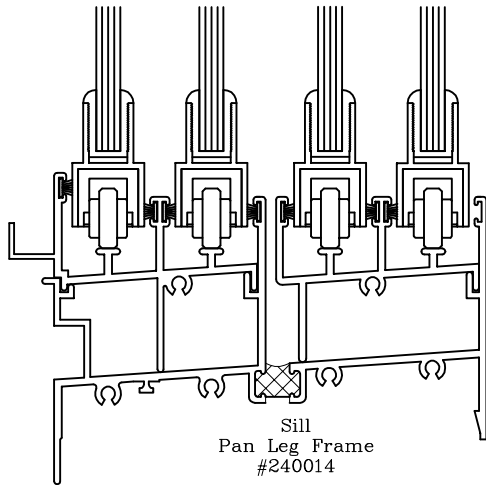


Series: 0400

Manufacturing Code: 0419

Drawing 1/2 Scale - For Custom Size Drawing Contact Graham

Note: Sealant Not Shown On Details. Consult Technical Services At Factory For Sealing Procedures.



Frame Options - 4 1/2"

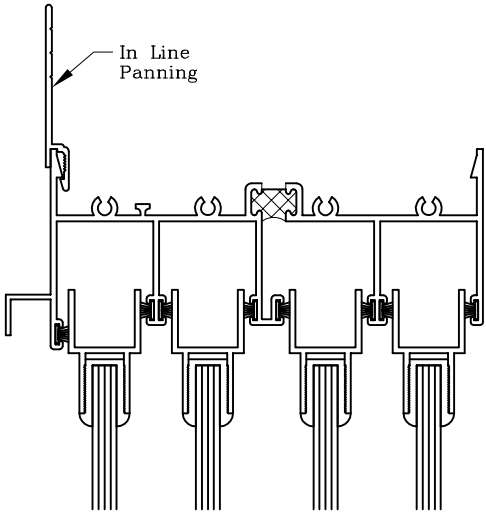


Series: 0400

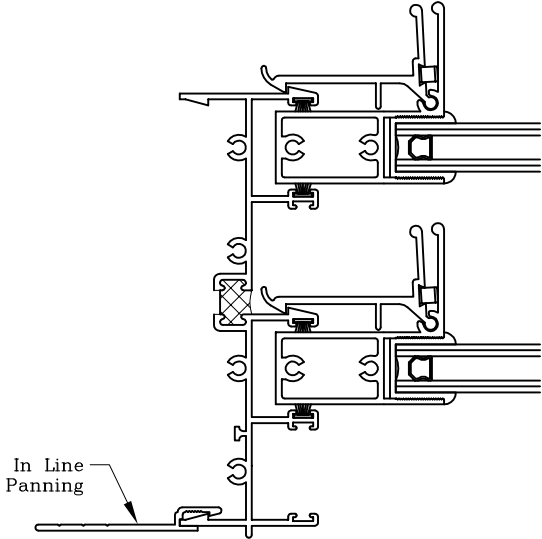
Manufacturing Code: 0420

Drawing 1/2 Scale - For Custom Size Drawing Contact Graham

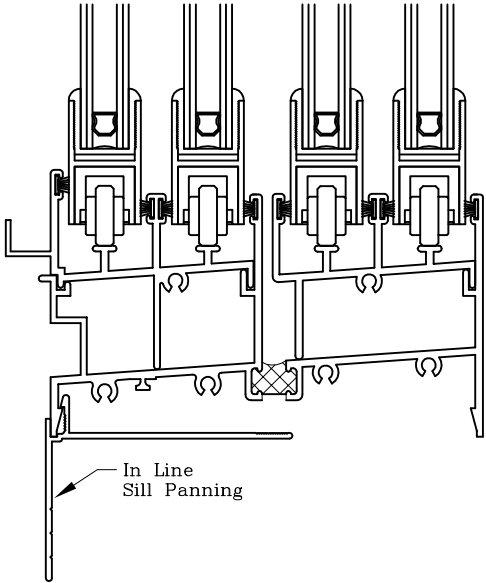
Note: Sealant Not Shown On Details. Consult Technical Services At Factory For Sealing Procedures.



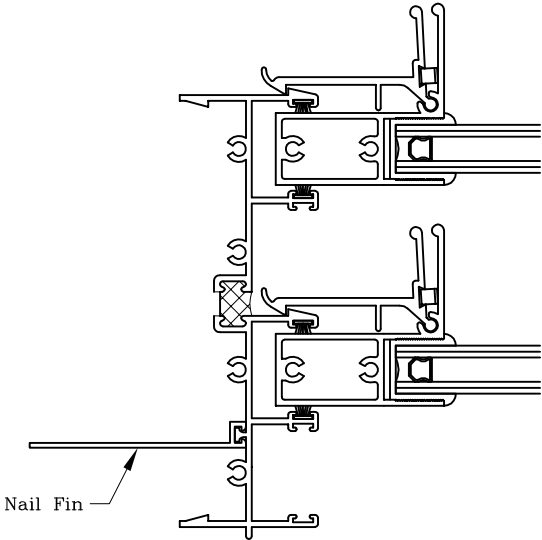
Head
In Line Panning
Option
#240102



Jamb
In Line Panning
Option
#240102



Sill
In Line Sill Panning
Option
#240104



Jamb
Nail Fin Option
#240115

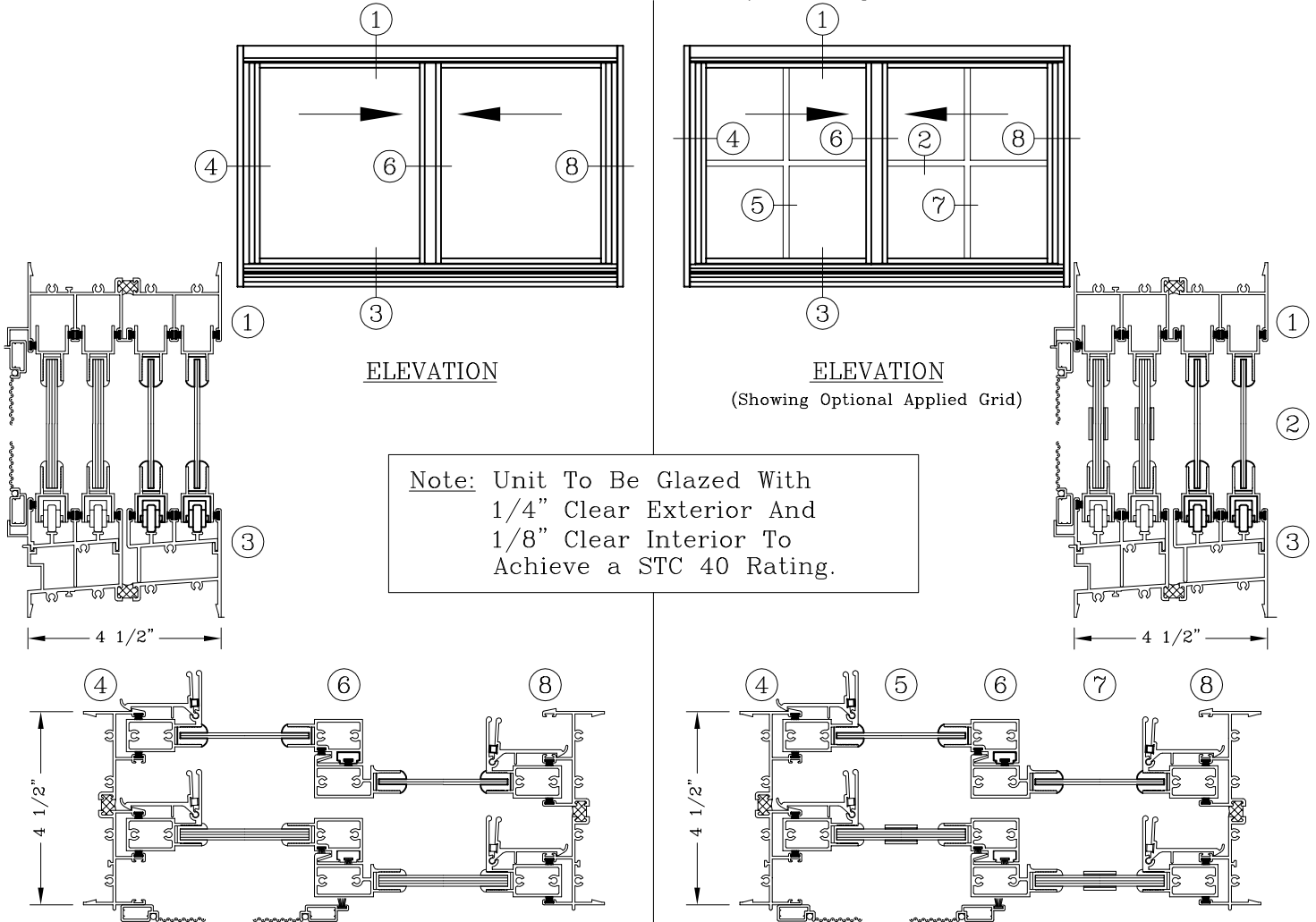
Acoustical - 4 1/2" 4-Track Horizontal Slider



Series: ACU0400 Manufacturing Code: ACU04

Drawing 1/4 Scale - For Custom Size Drawing Contact Graham

Note: Sealant Not Shown On Details. Consult Technical Services At Factory For Sealing Procedures.



<p>Panning - Optional (Head Shown)</p>	<p>Panning - Optional (Sill Shown)</p>	<p>Panning - Optional (Jamb Shown)</p>	<p>Trim - Optional (Interior Tape Applied) -Aluminum-</p>	<p><u>Screen Material</u> Standard: Fiberglass Charcoal Mesh Optional: Aluminum</p>
<p><u>Size Limits</u> Minimum: 21 1/8" by 10 1/2" (2 Panel) Minimum: 42" by 10 1/2" (3 Panel) Maximum: 100" by 78" (2 Panel) Maximum: 144" by 78" (3 Panel)</p>	<p><u>Color Options</u> *=-Contains Kynar Graham Brown: PS2-BW *PF2-BW Colonial White: PS1-CW *PF1-CW Graham White: PS1-WH *PF1-WH Graham Silver: PS8-ABP PS8-ABP Sahara Sand: PS2-SA *PF2-SA</p> <p>Note: For Colors Not Listed, A Graham Color Code Or UC# Is Required. Clear Coat, Exotic Colors, Metallic & Anodized Not Included.</p>	<p><u>Glazing Options</u> Annealed or Tempered Glass Clear Grey or Bronze Tint Clear Laminated (Safety) Obscure Pattern #62 Low-E</p> <p>Note: Glazing May Be Limited To Meet Sound Transmission Specifications</p>	<p><u>Clear Opening</u> Width = $\frac{\text{Unit Width} - 7 \frac{1}{4}"}{2}$ Height = Unit Height = 4 7/8"</p>	

4-Track Horizontal Slider - 5"

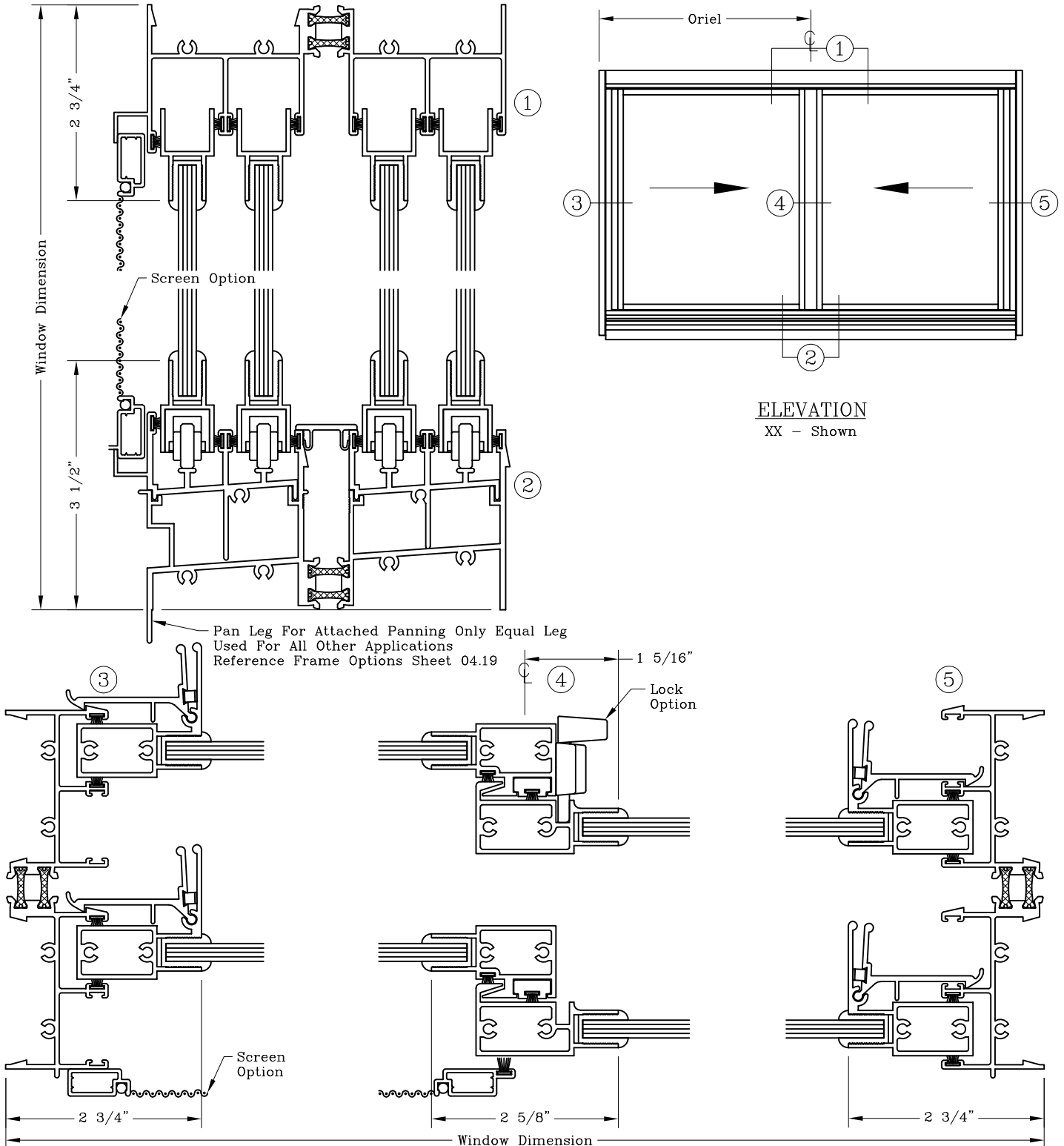


Series: S0400

Manufacturing Code: S0401

Drawing 1/2 Scale - For Custom Size Drawing Contact Graham

Note: Sealant Not Shown On Details. Consult Technical Services At Factory For Sealing Procedures.



ELEVATION
XX - Shown

4-Track Horizontal Slider - 5"

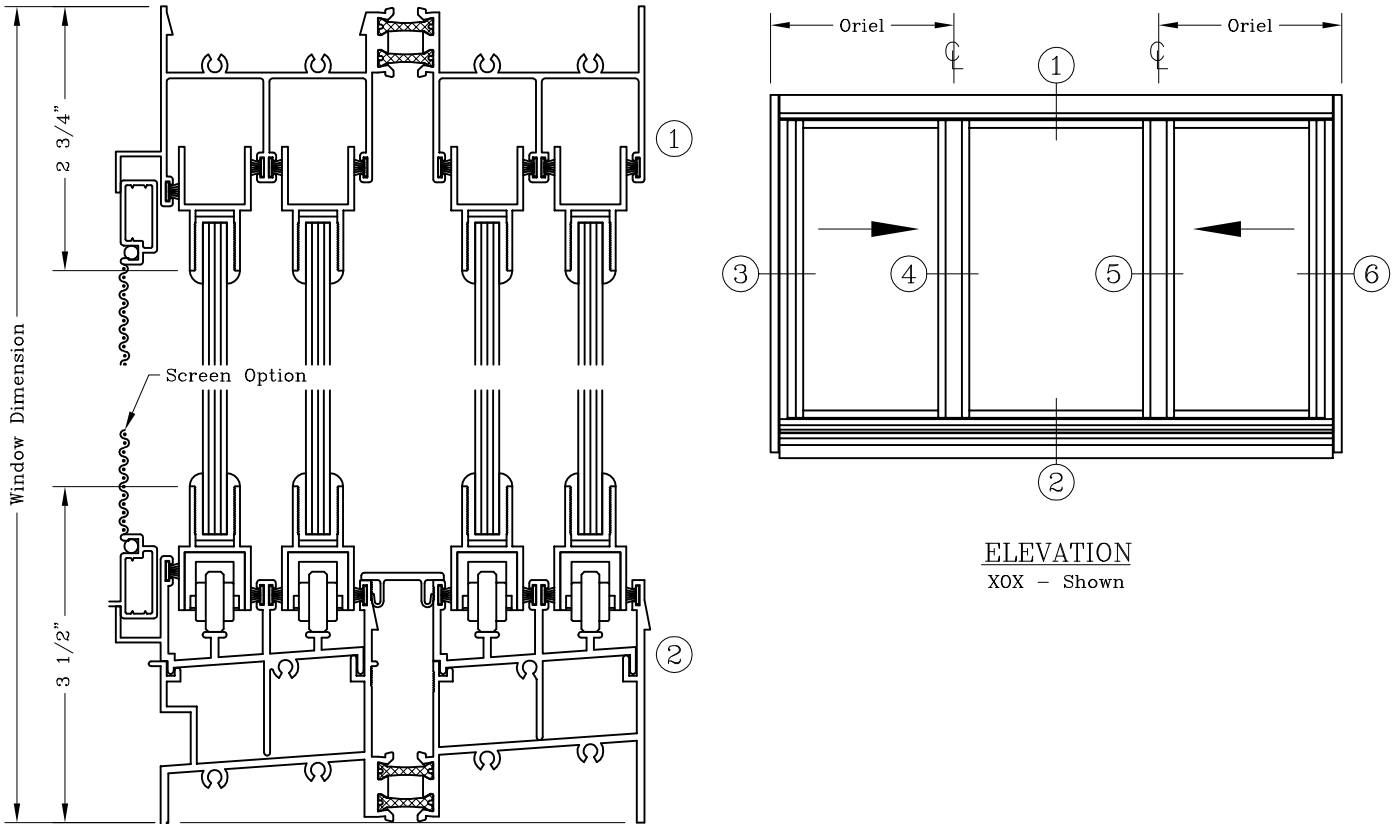


Series: S0400

Manufacturing Code: S0406

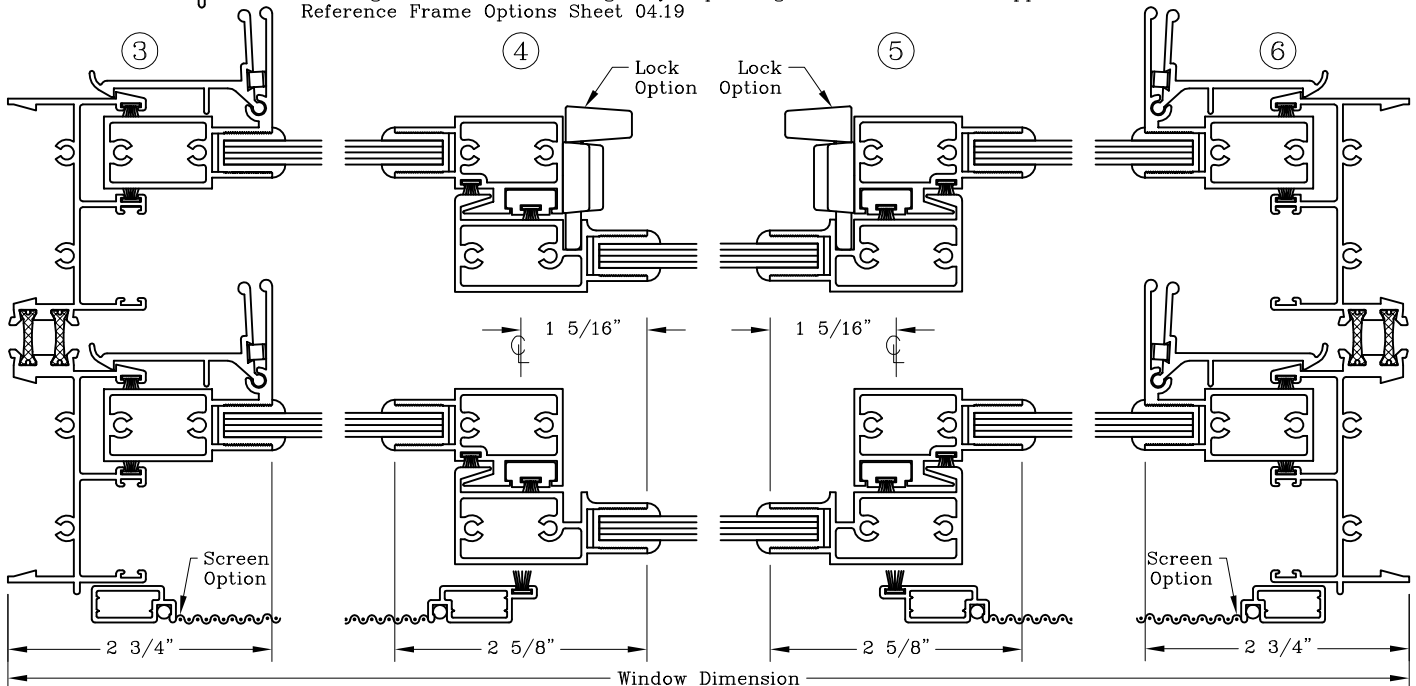
Drawing 1/2 Scale - For Custom Size Drawing Contact Graham

Note: Sealant Not Shown On Details. Consult Technical Services At Factory For Sealing Procedures.



ELEVATION
XOX - Shown

Pan Leg For Attached Panning Only, Equal Leg Used For All Other Applications
Reference Frame Options Sheet 04.19



4-Track Horizontal Slider - 5"

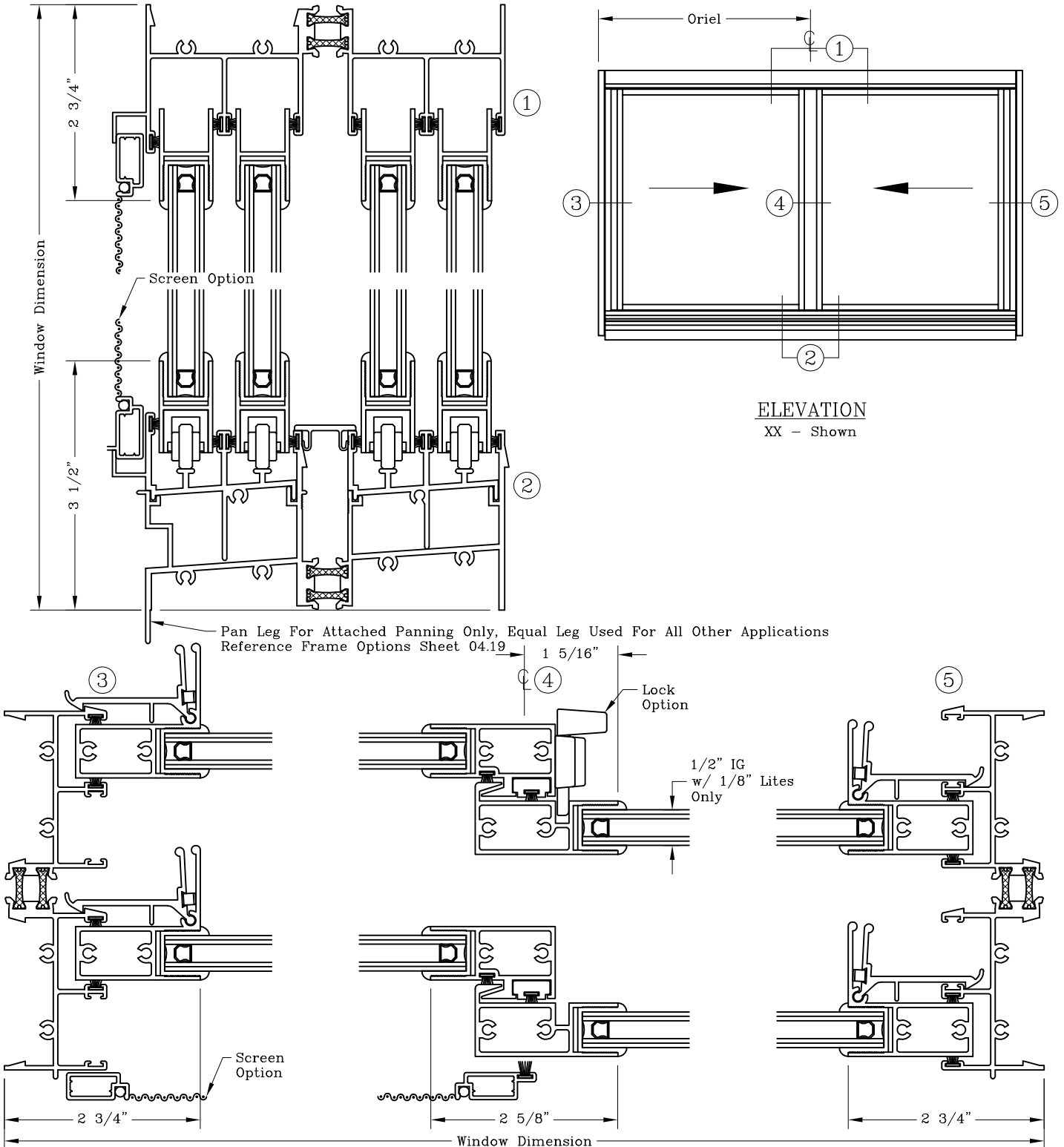


Series: S0400

Manufacturing Code: S0407

Drawing 1/2 Scale - For Custom Size Drawing Contact Graham

Note: Sealant Not Shown On Details. Consult Technical Services At Factory For Sealing Procedures.



4-Track Horizontal Slider - 5"

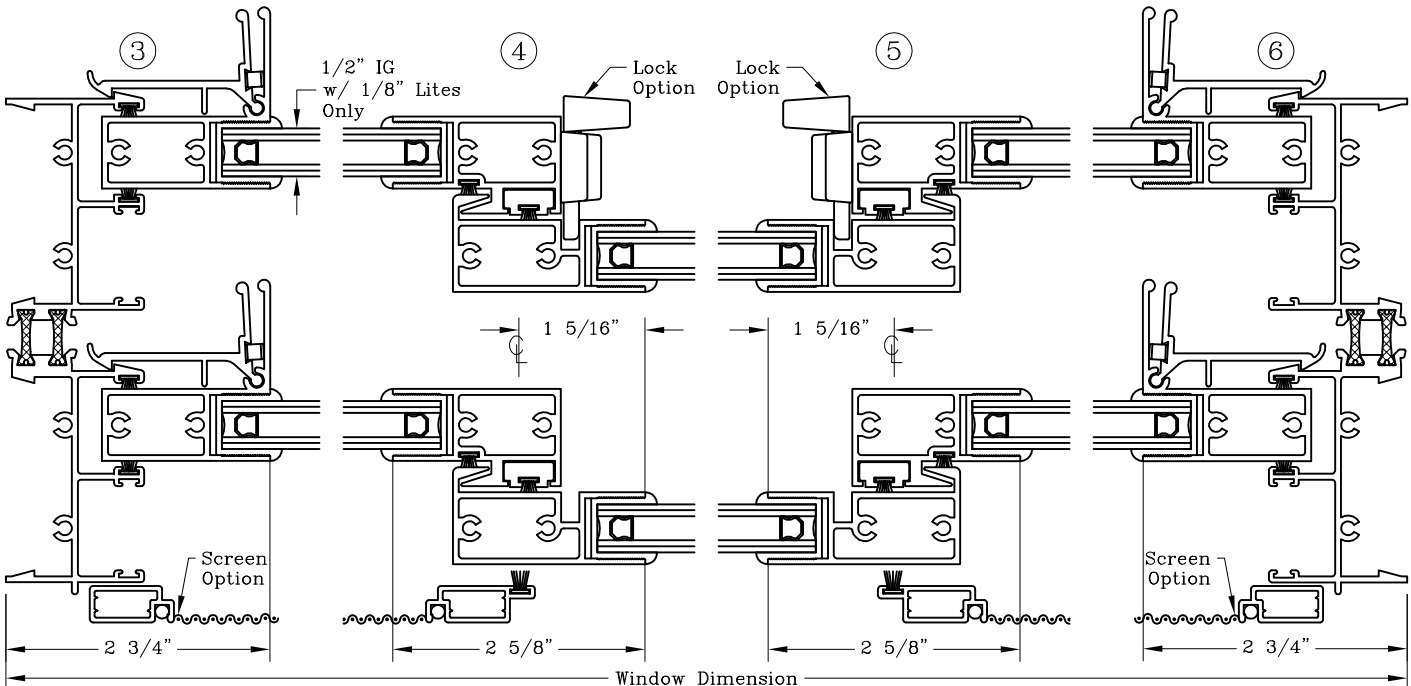
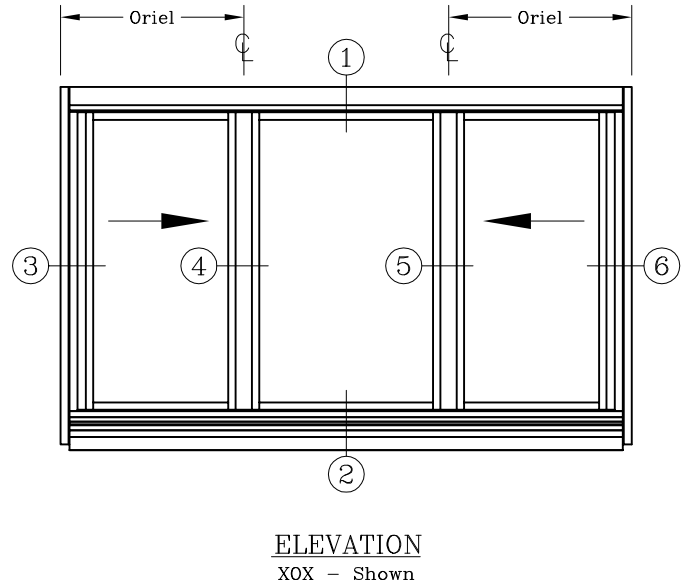
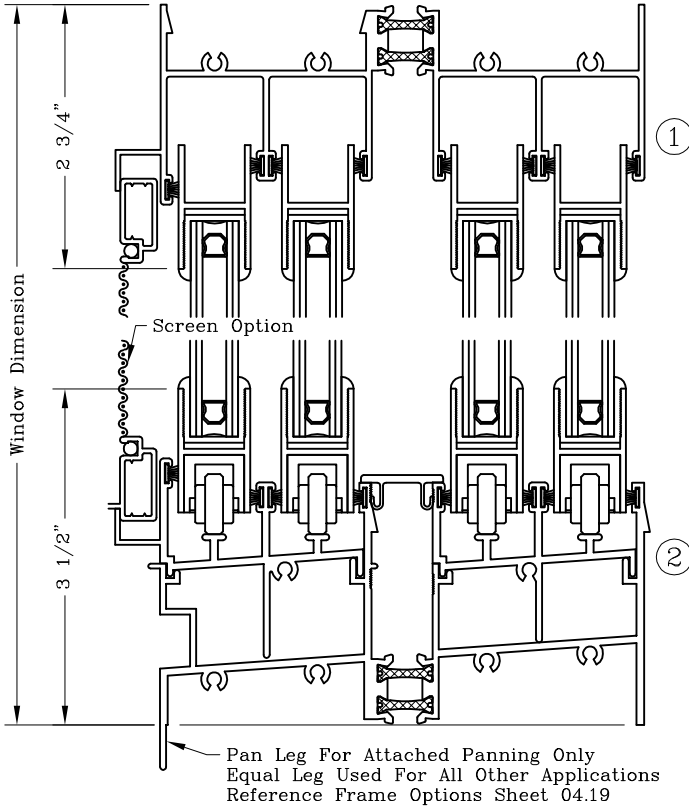


Series: S0400

Manufacturing Code: S0408

Drawing 1/2 Scale - For Custom Size Drawing Contact Graham

Note: Sealant Not Shown On Details. Consult Technical Services At Factory For Sealing Procedures.



Glazing Options - 5"

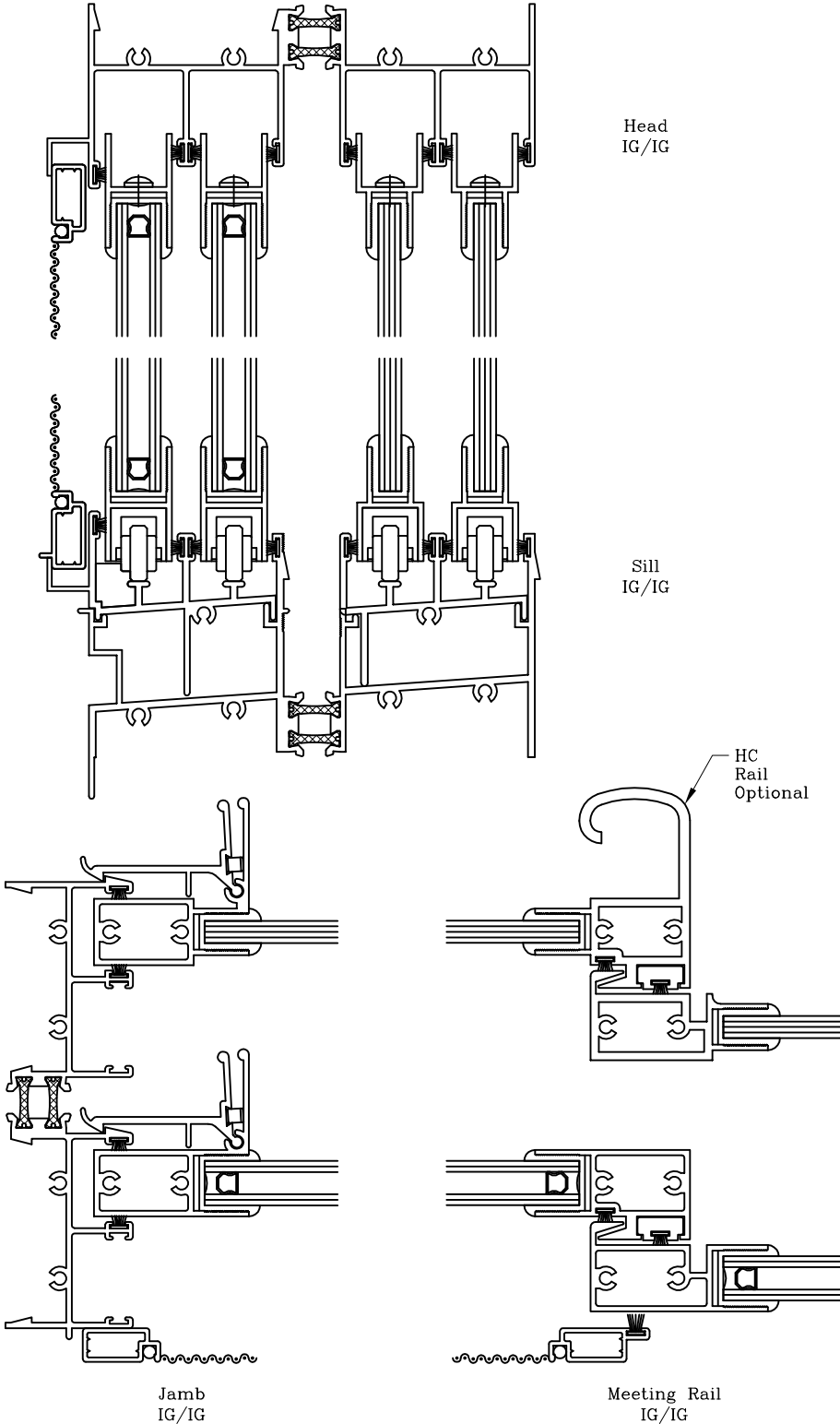


Series: S0400

Manufacturing Code: S0410

Drawing 1/2 Scale - For Custom Size Drawing Contact Graham

Note: Sealant Not Shown On Details. Consult Technical Services At Factory For Sealing Procedures.



Frame Options - 5"

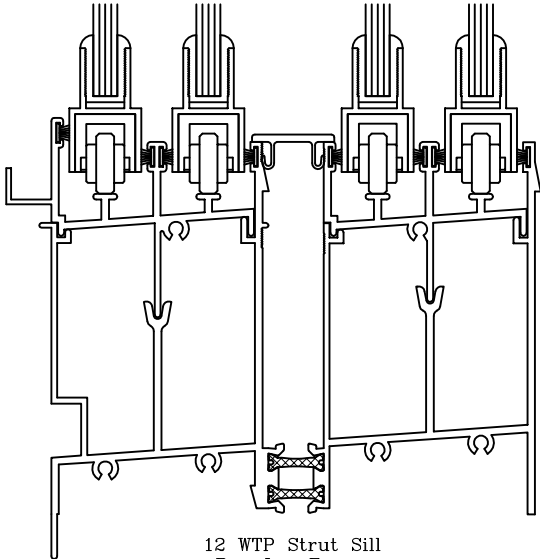


Series: S0400

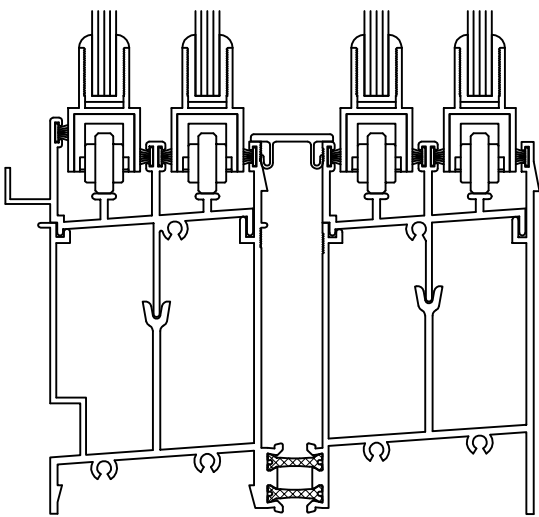
Manufacturing Code: S0419

Drawing 1/2 Scale - For Custom Size Drawing Contact Graham

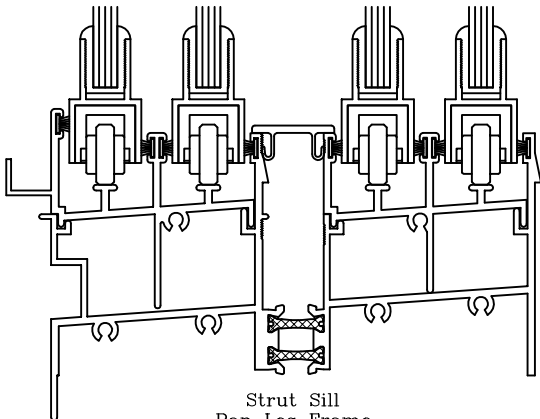
Note: Sealant Not Shown On Details. Consult Technical Services At Factory For Sealing Procedures.



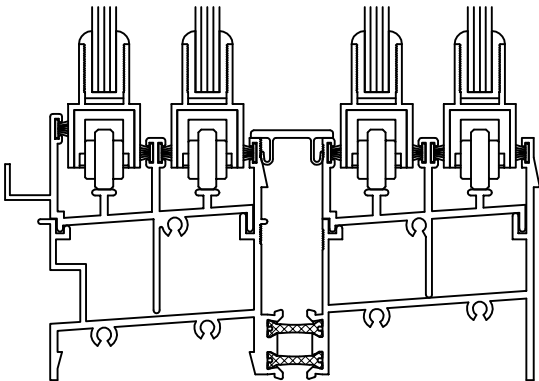
12 WTP Strut Sill
Pan Leg Frame
#240121



12 WTP Strut Sill
Equal Leg Frame
#240122



Strut Sill
Pan Leg Frame
#240020



Strut Sill
Equal Leg Frame
#240021

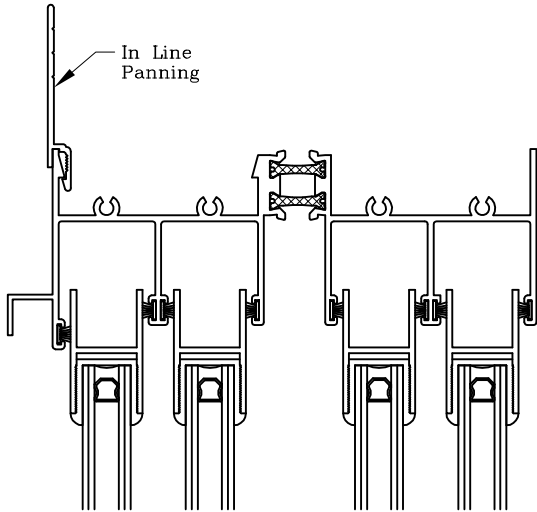
Frame Options - 5"



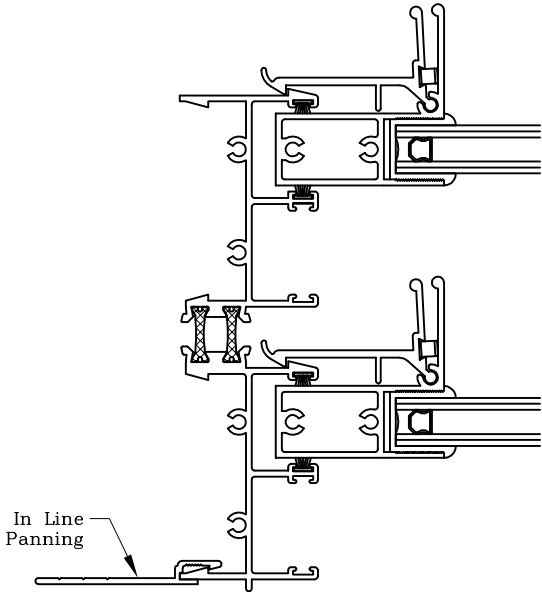
Series: S0400 Manufacturing Code: S0420

Drawing 1/2 Scale - For Custom Size Drawing Contact Graham

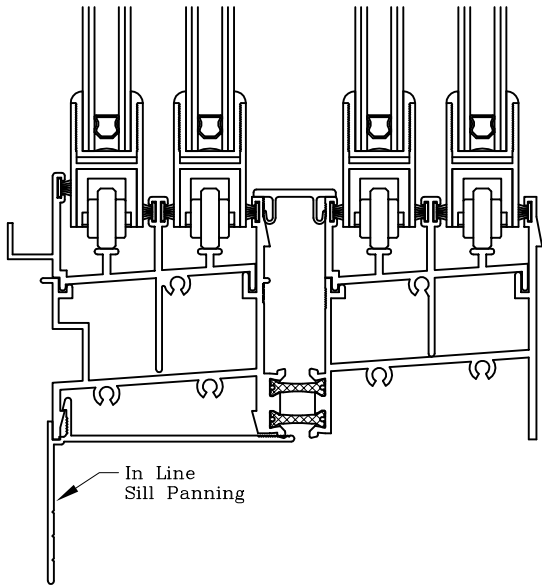
Note: Sealant Not Shown On Details. Consult Technical Services At Factory For Sealing Procedures.



Head
In Line Panning
Option
#240102



Jamb
In Line Panning
Option
#240102



Sill
In Line Sill Panning
Option
#240104