

# 0900/S0900 SERIES DATA SHEET

OPERATION

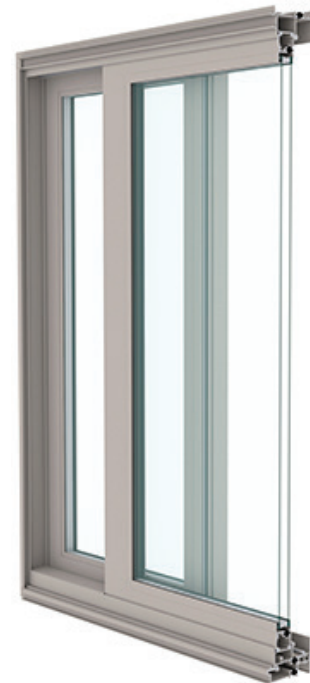


TYPE	SERIES	OPERATION	AAMA RATING & TEST SIZE	AIR (cfm/ft <sup>2</sup> ) at 50 mph	WATER (psf)	DESIGN PRESSURE (psf)	STRUCTURAL OVERLOAD (psf)	U-VALUE (BTU/hr/ft <sup>2</sup> /°F) <sup>1</sup>	CRF	STC	OITC
SLIDING GLASS DOOR	0900	XO	AW-PG45 122 x 96	0.17	12.11	45.11	67.67	0.44 – 0.62	49	31 - 38	29 - 34
		XO	LC-PG35 87 x 83	0.10	5.43	35.09	52.63	0.36 – 0.54	48	31 - 38	29 - 34
		OXO	AW-PG65 144 x 96	0.04	10.65	65.16	97.74	0.44 – 0.62	49	31 - 38	29 - 34
		OXO	CW-PG60 143 x 83	0.04	10.65	60.15	90.23	0.44 – 0.62	49	31 - 38	29 - 34
	S0900	XO	AW-PG50 123 x 95	0.15	12.11	50.13	75.19	0.39 – 0.59	50	37	32
		OXO	AW-PG65 144 x 96	0.13	12.11	70.18	105.26	0.39 – 0.59	50	37	32

<sup>1</sup>U-values will vary depending upon glazing selected

## 0900/S0900 SERIES QUICK VIEW:

An Architectural grade sliding glass door for use in multiple applications ranging from high-rise to single dwelling. This door has multiple performance ratings and configurations making it versatile enough to meet the varying demands of today's architectural market.



## STANDARD FEATURES

- Mulls to 4" fixed and operable products
- Adjustable stainless steel tandem rollers
- Stainless steel track cover
- Extruded surface mount pull handle
- Top-hung screen

## OPTIONAL FEATURES

- 10 psf and 12 psf high-performance sill options
- Fixed transom at top
- Fixed side lite
- Deadbolt night lock
- Dual finish (two-tone color) option (S0900)

## Window series: 0900/S0900 Sliding Glass Door — General Specifications & Details

- Nominal Frame/Sill Wall Thickness: 0.062/0.080"
- Applications: Industrial, Educational, Hospitals, and Apt. Complexes
- Max. Test size: 14'6" x 7'10"
- Glazing Options:
  - Single Glazed: Available
  - Insulating: 1" IG available
- Muntins: Grids between lites of IG

- Finish Options:
  - AAMA 2603 — Standard acrylic or polyester
  - AAMA 2604 — 2 coat 50% fluoropolymer
  - AAMA 2605 — 2 coat fluoropolymer 70% kynar
  - Powder Coat
  - Anodized
- Hardware:
  - Standard Handle with Lock/Latch
  - Optional Deadbolt Night Lock
- Accessories:
  - Frame Family: 4"
  - Fixed Lite Option System: 1400/S1400
  - Mullions:
    - Stacking: Integral & fixed-stack mull
    - Side: 3-piece-mull
  - Panning: Available
  - Trims: Available
  - Receptor Systems: Available
- Exceptions: Call Graham sales rep or see website for more information

Our products are tested to the standards of and certified by the American Architectural Manufacturer's Association and the National Fenestration Rating Council.



# Sliding Glass Door - 4"

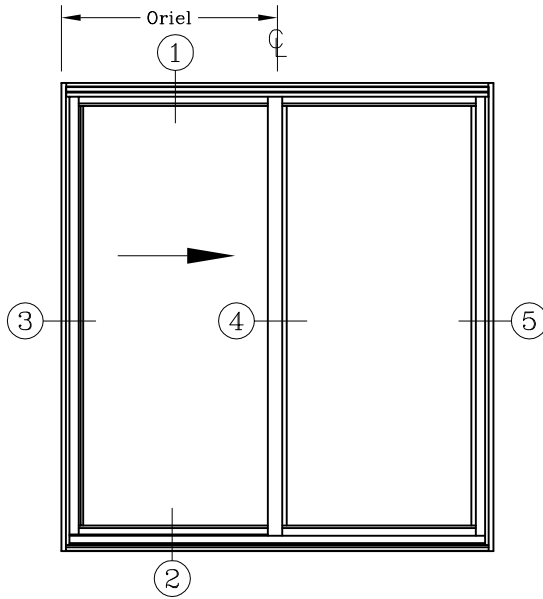
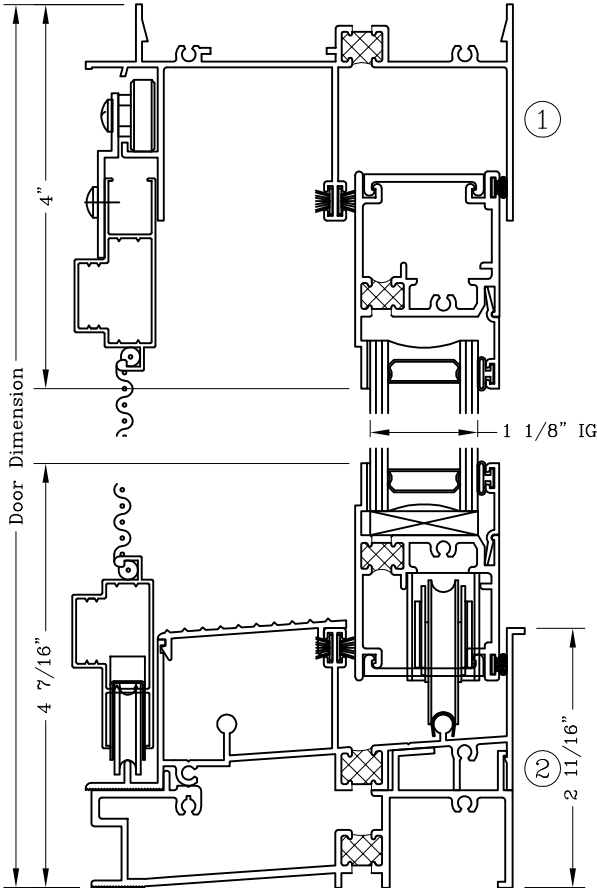


Series: 0900

Manufacturing Code: 0902

Drawing 1/2 Scale - For Custom Size Drawing Contact Graham

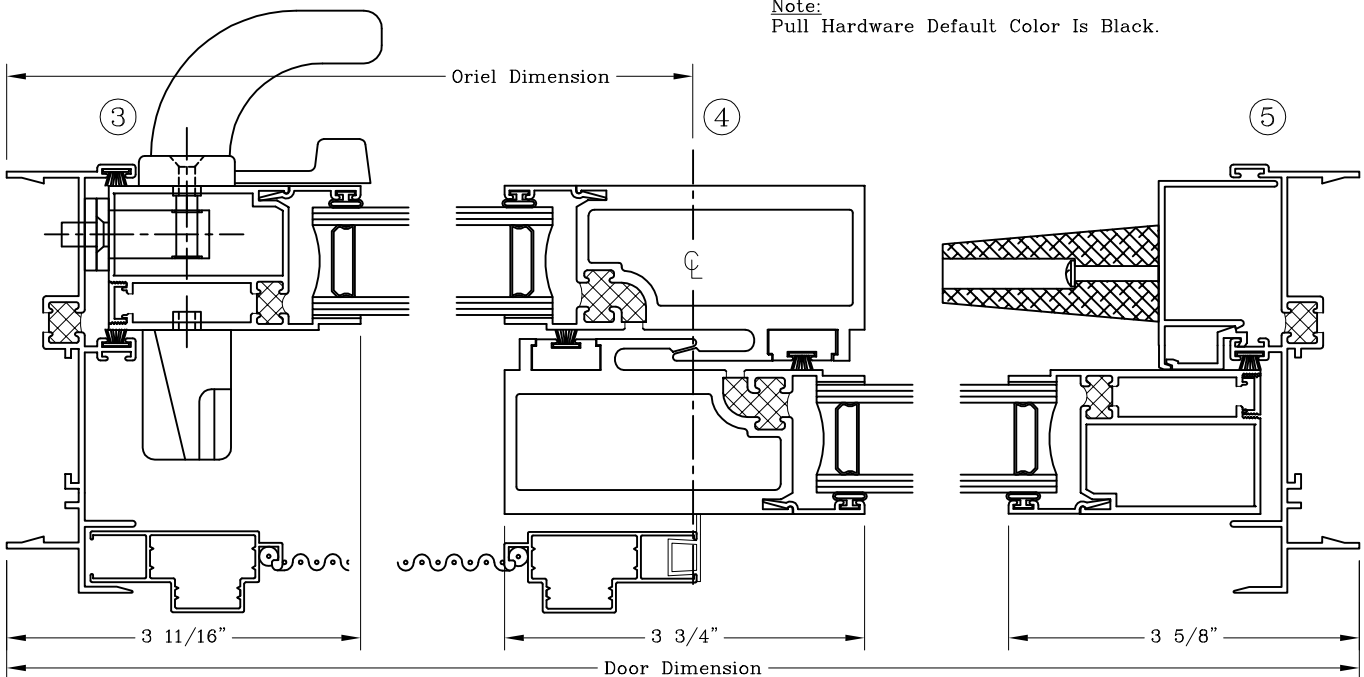
Note: Sealant Not Shown On Details. Consult Technical Services At Factory For Sealing Procedures.



**ELEVATION**

XO - Shown  
OX - Opposite

Note:  
Pull Hardware Default Color Is Black.



# Sliding Glass Door - 4"

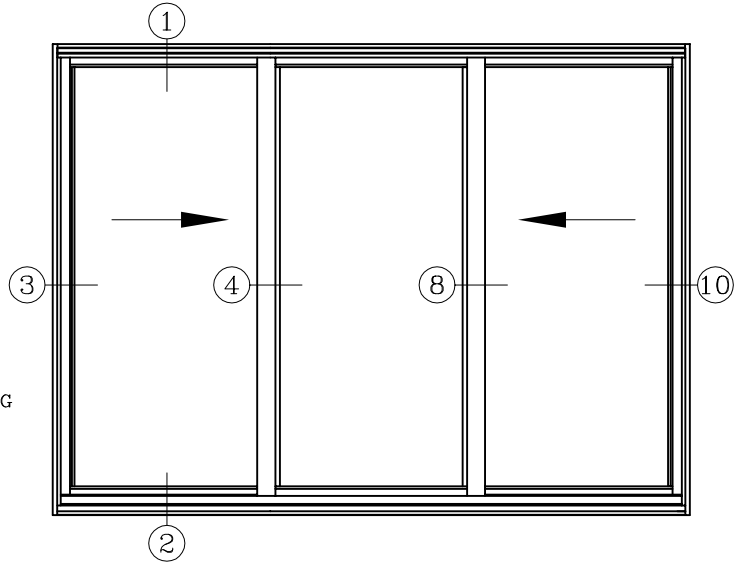
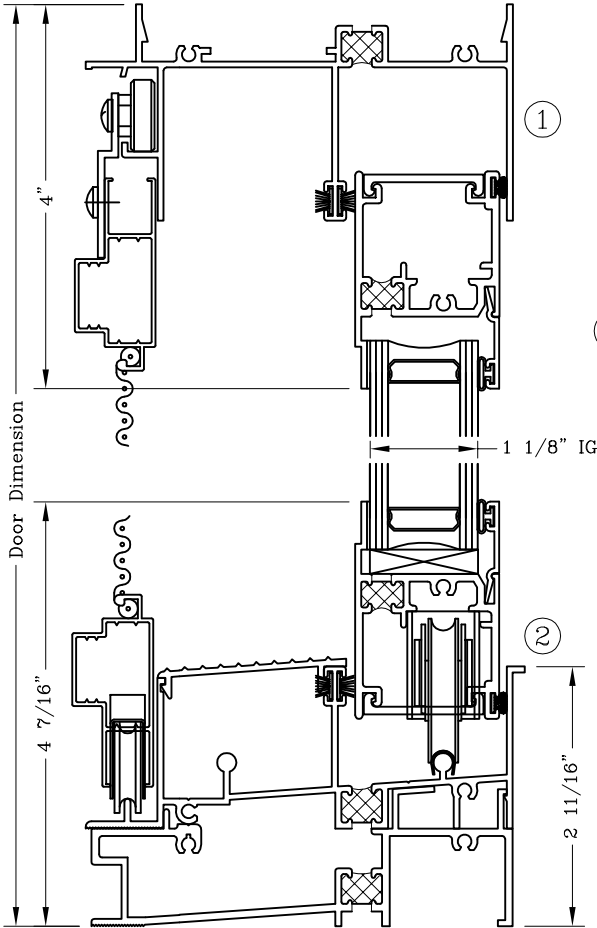


Series: 0900

Manufacturing Code: 0903

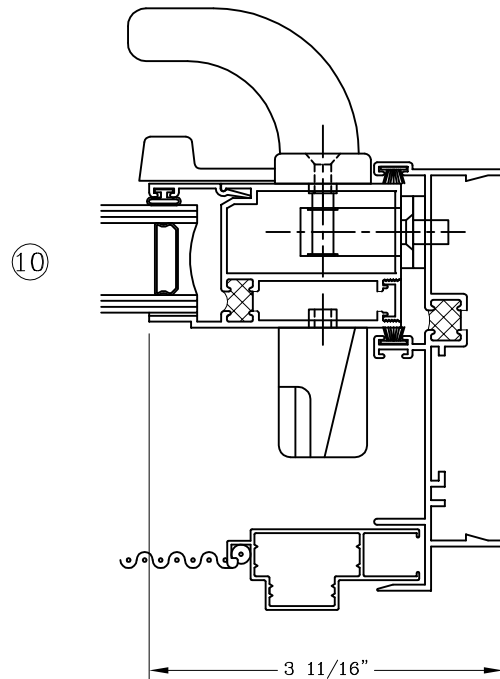
Drawing 1/2 Scale - For Custom Size Drawing Contact Graham

Note: Sealant Not Shown On Details. Consult Technical Services At Factory For Sealing Procedures.



ELEVATION  
XOX

- Note:
1. Reference Page 09.02 For Details #3, and #4.
  2. Reference Page 09.05 For Details #8.
  3. Pull Hardware Default Color Is Black.



# Sliding Glass Door - 4"

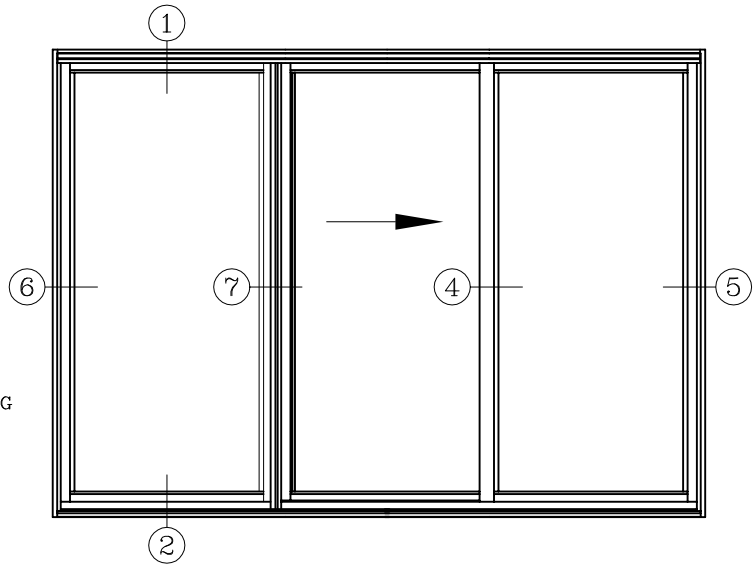
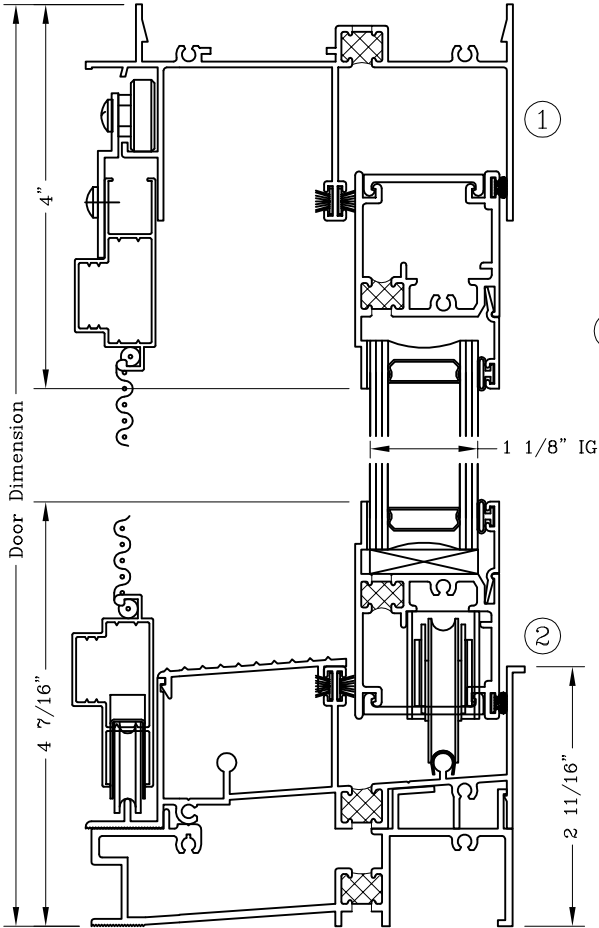


Series: 0900

Manufacturing Code: 0904

Drawing 1/2 Scale - For Custom Size Drawing Contact Graham

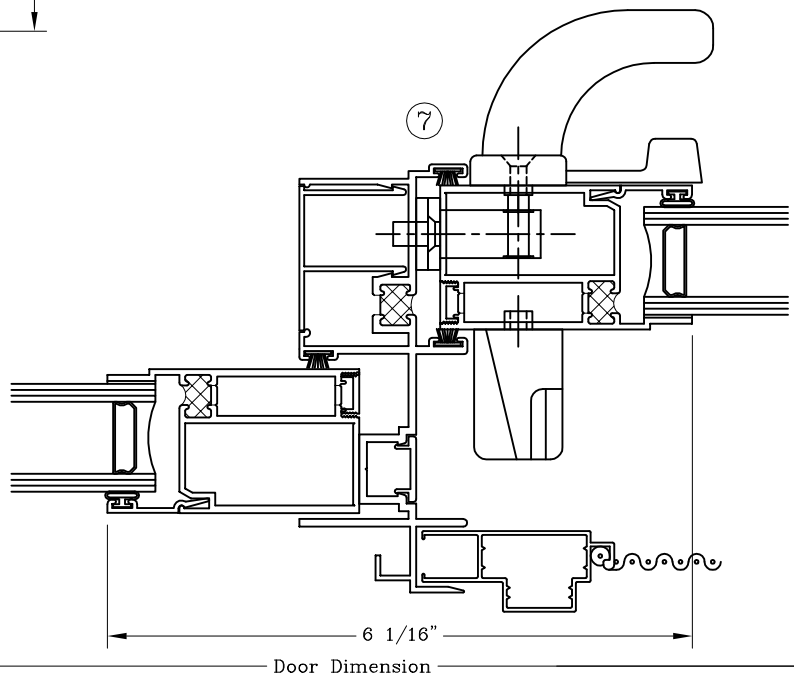
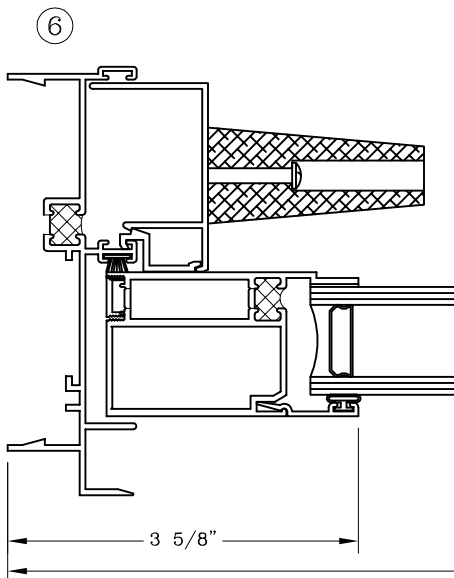
Note: Sealant Not Shown On Details. Consult Technical Services At Factory For Sealing Procedures.



### ELEVATION

OXO - Shown w/ Panel Sliding Right  
 OXO - Opposite w/ Panel Sliding Left

Note:  
 1. Reference Page 09.02 For Details #4, and #5.  
 2. Pull Hardware Default Color Is Black.



# Sliding Glass Door - 4"

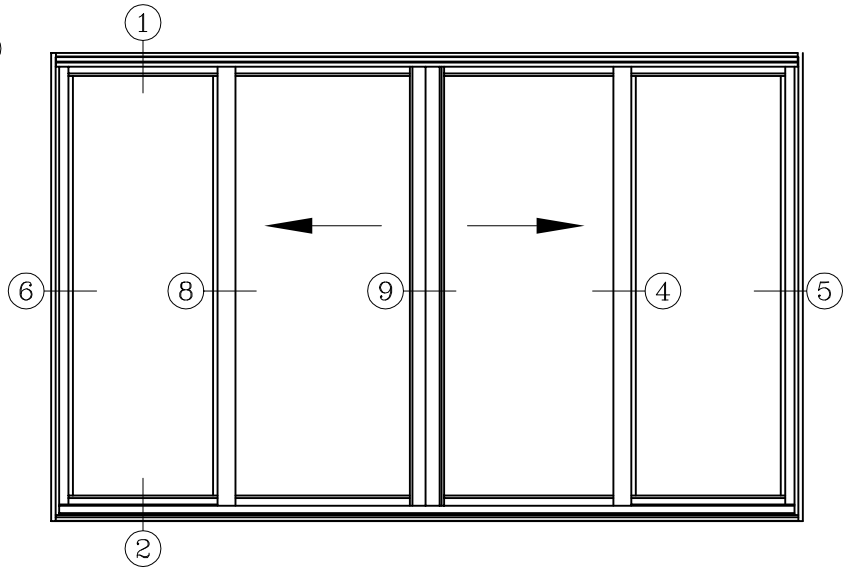
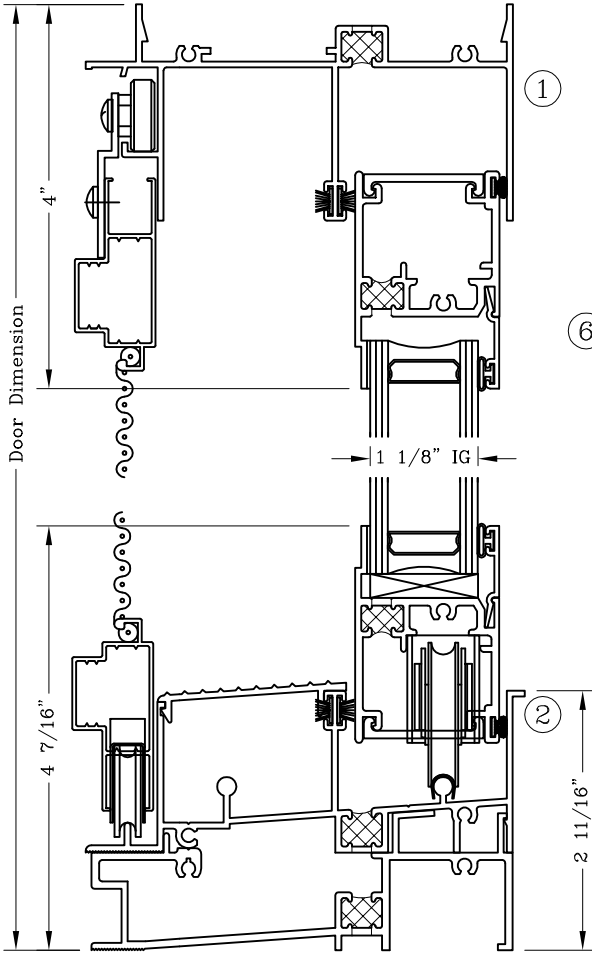


Series: 0900

Manufacturing Code: 0905

Drawing 1/2 Scale - For Custom Size Drawing Contact Graham

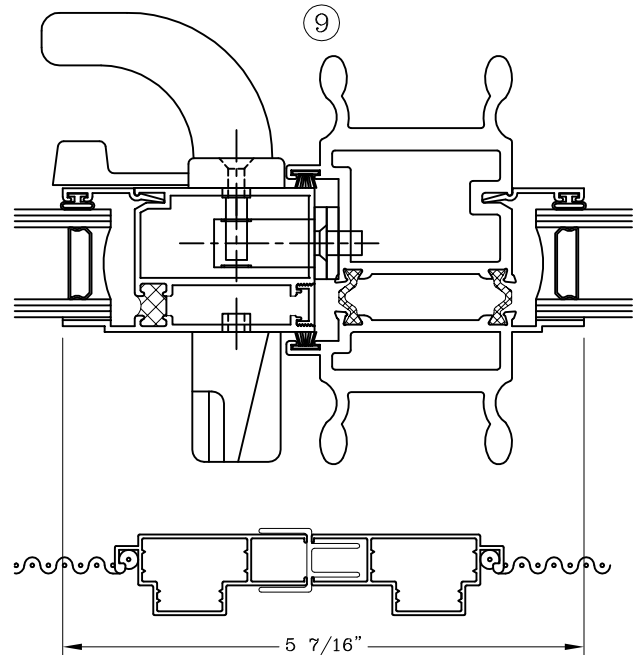
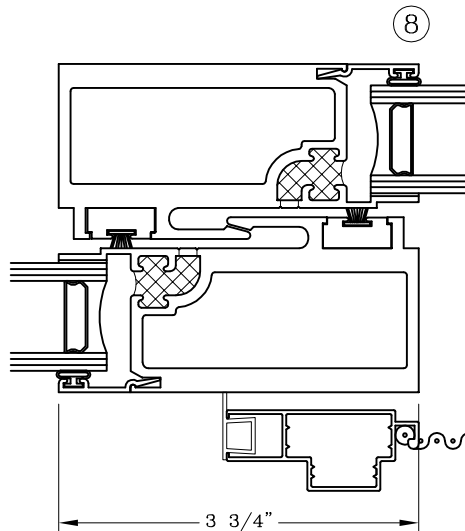
Note: Sealant Not Shown On Details. Consult Technical Services At Factory For Sealing Procedures.



ELEVATION  
OXXO

Note:

1. Reference Page 09.02 For Details #4, and #5.
2. Reference Page 09.04 For Details #6.
3. Pull Hardware Default Color Is Black.



# Sliding Glass Door - 4" Head Options

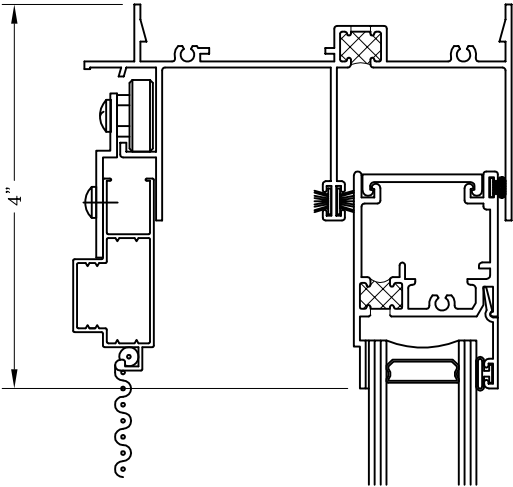


Series: 0900

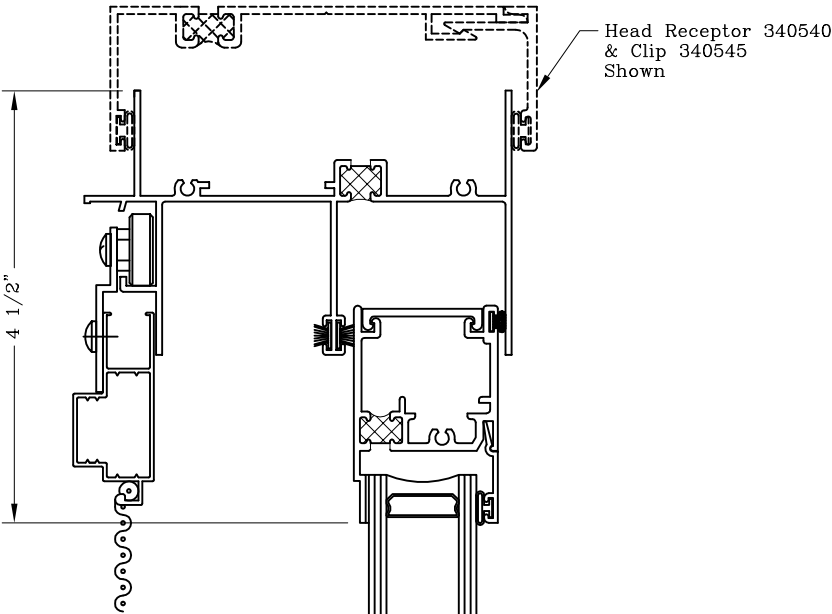
Manufacturing Code: 0908

Drawing 1/2 Scale - For Custom Size Drawing Contact Graham

Note: Sealant Not Shown On Details. Consult Technical Services At Factory For Sealing Procedures.



Standard Frame Head  
#090010



Optional Frame Head For  
Receptor Applications  
#090011

# Sliding Glass Door - 4"

## Frame Options

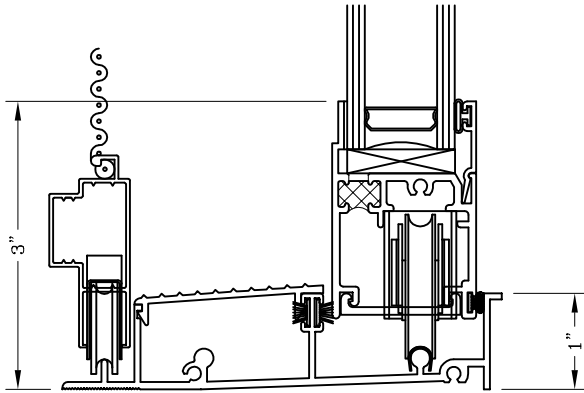


Series: 0900

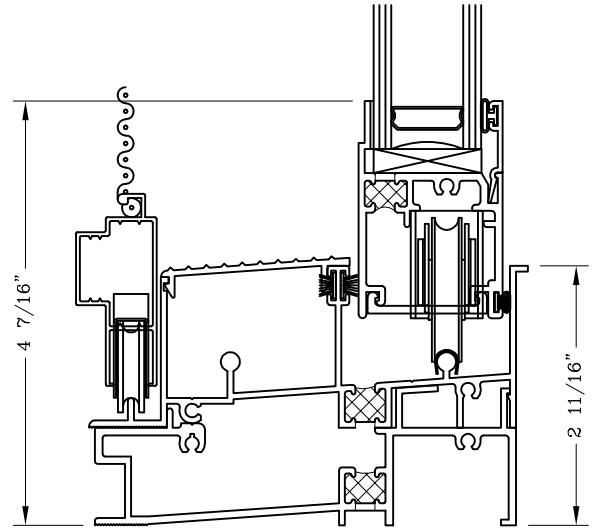
Manufacturing Code: 0911

Drawing 1/2 Scale - For Custom Size Drawing Contact Graham

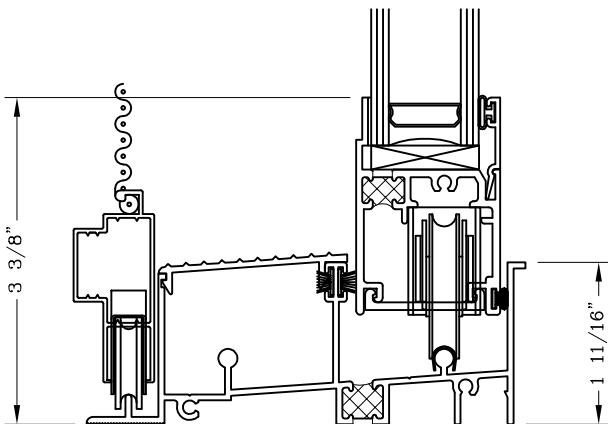
Note: Sealant Not Shown On Details. Consult Technical Services At Factory For Sealing Procedures.



Low Sill  
#090025

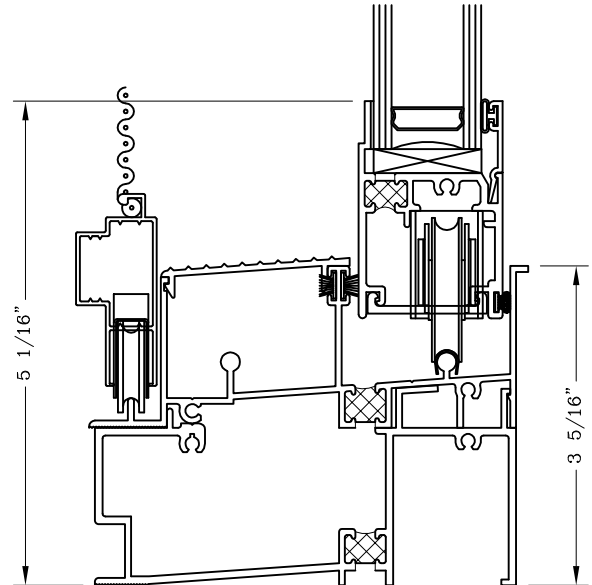


#10 WTP Sill  
#090021



#5.25 WTP Sill  
#090020

Note:  
Optional #5.25 WTP Sill Does Not Meet HC-50 Water  
Resistance Test.



#12 WTP Sill  
#090022

# Sliding Glass Door - 4" Interlock Options

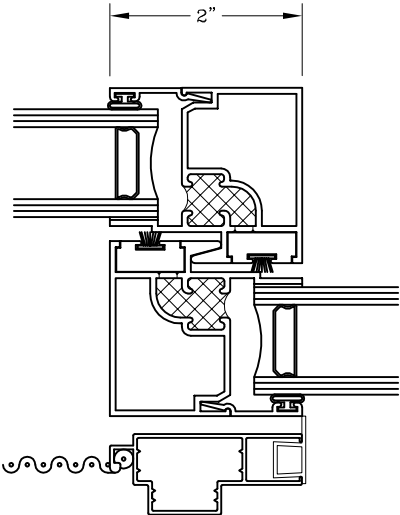


Series: 0900

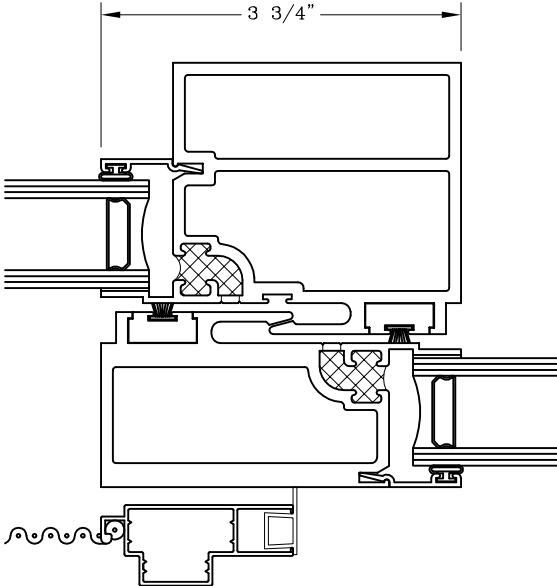
Manufacturing Code: 0912

Drawing 1/2 Scale - For Custom Size Drawing Contact Graham

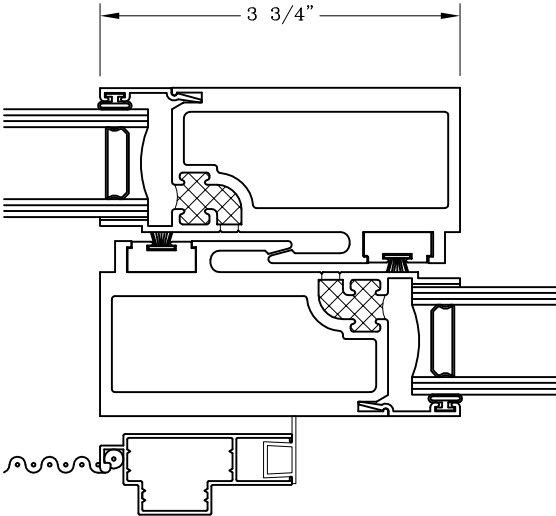
Note: Sealant Not Shown On Details. Consult Technical Services At Factory For Sealing Procedures.



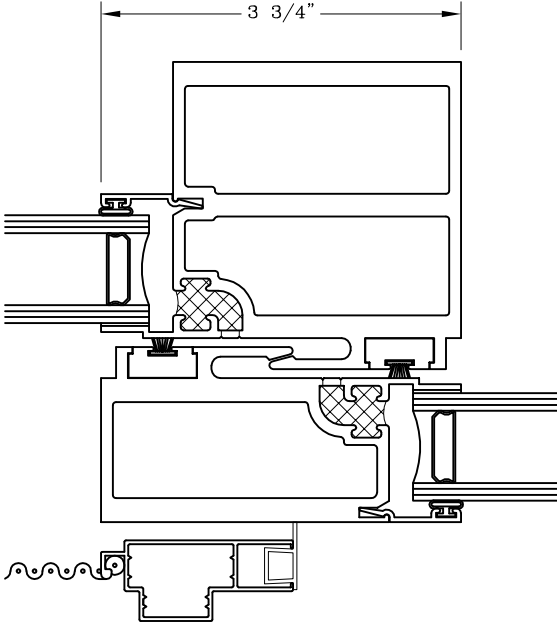
LC (Light Commercial)



AW-40 (Architectural Window)



CW (Commercial Window)



AW-60 (Architectural Window)



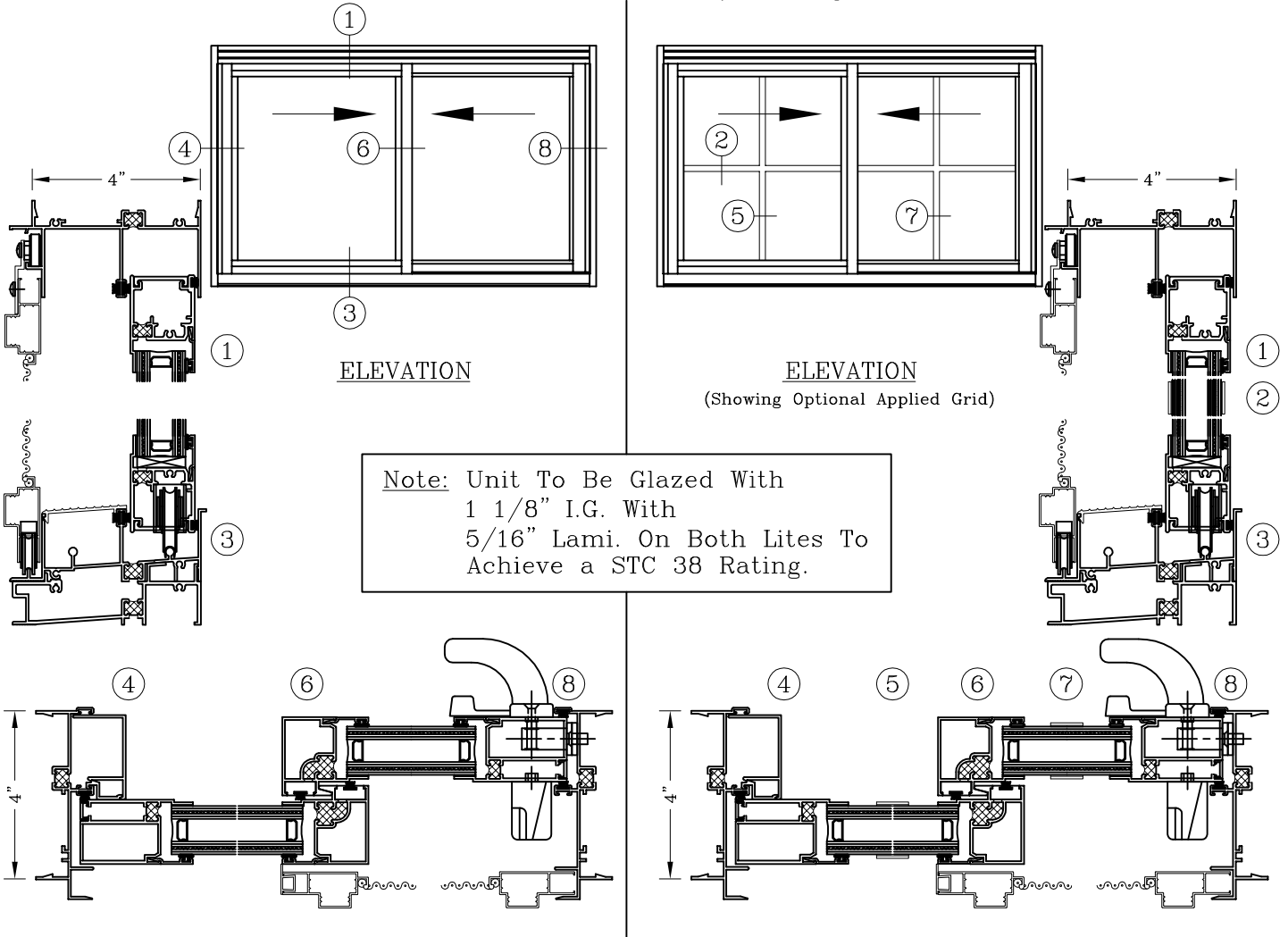
# Acoustical – 4” Sliding Glass Door – 4”



Series: ACU0900 Manufacturing Code: ACU09

Drawing 1/4 Scale – For Custom Size Drawing Contact Graham

Note: Sealant Not Shown On Details. Consult Technical Services At Factory For Sealing Procedures.



<p>Panning - Optional (Head Shown)</p>	<p>Panning - Optional (Jamb Shown)</p>	<p>Trim - Optional (Interior Tape Applied) -Aluminum-</p>	<p>Screen Material Standard: Fiberglass Charcoal Mesh  Optional: Aluminum</p>
<p><b>Size Limits</b> Minimum: ??” by ??” Maximum: 76” by 80”  Maximum Panel Weight: 150 LBS.</p>	<p><b>Color Options</b> *=-Contains Kynar Graham Brown: PS2-BW *PF2-BW Colonial White: PS1-CW *PF1-CW Graham White: PS1-WH *PF1-WH Graham Silver: PS8-ABP PS8-ABP Sahara Sand: PS2-SA *PF2-SA  Note: For Colors Not Listed, A Graham Color Code Or UC# Is Required. Clear Coat, Exotic Colors, Metallic &amp; Anodized Not Included.</p>	<p><b>Glazing Options</b> Annealed or Tempered Glass Clear Grey or Bronze Tint Clear Laminated (Safety) Obscure Pattern #62 Low-E  Note: Glazing May Be Limited To Meet Sound Transmission Specifications</p>	<p><b>Clear Opening</b> Width = <math>\frac{\text{Unit Height} - 11 \frac{3}{8}"}{2}</math> Height = Unit Height - 4 1/32”</p>

# Sliding Glass Door - 4"

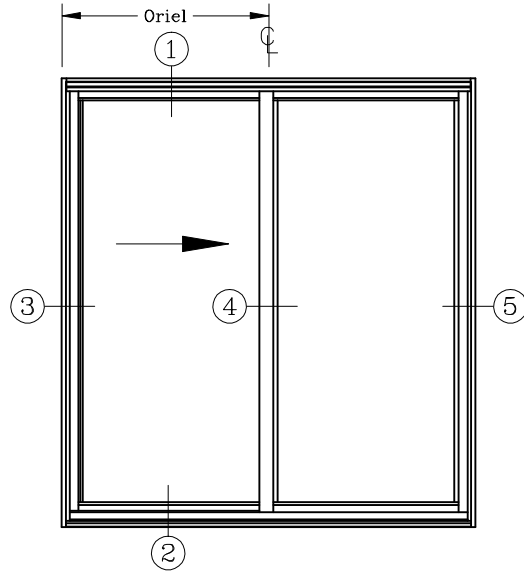
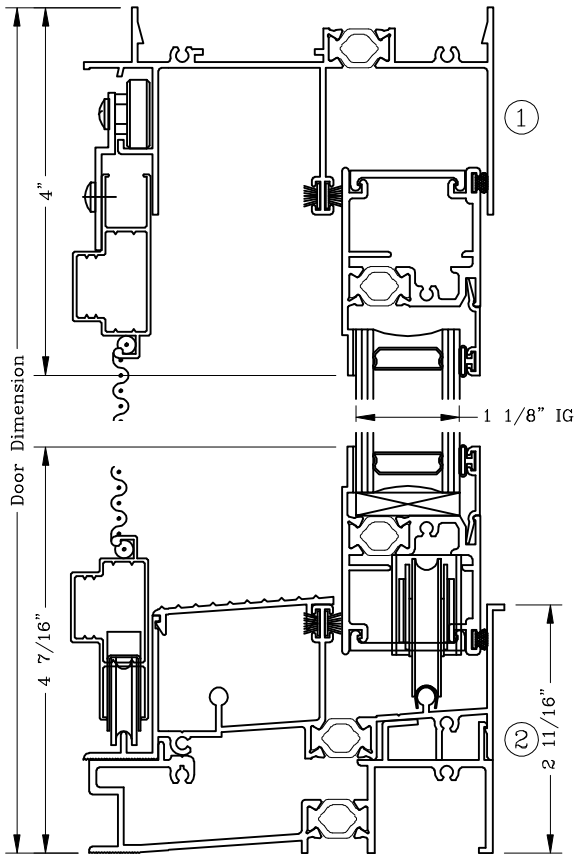


Series: S0900

Manufacturing Code: S0901

Drawing 1/2 Scale - For Custom Size Drawing Contact Graham

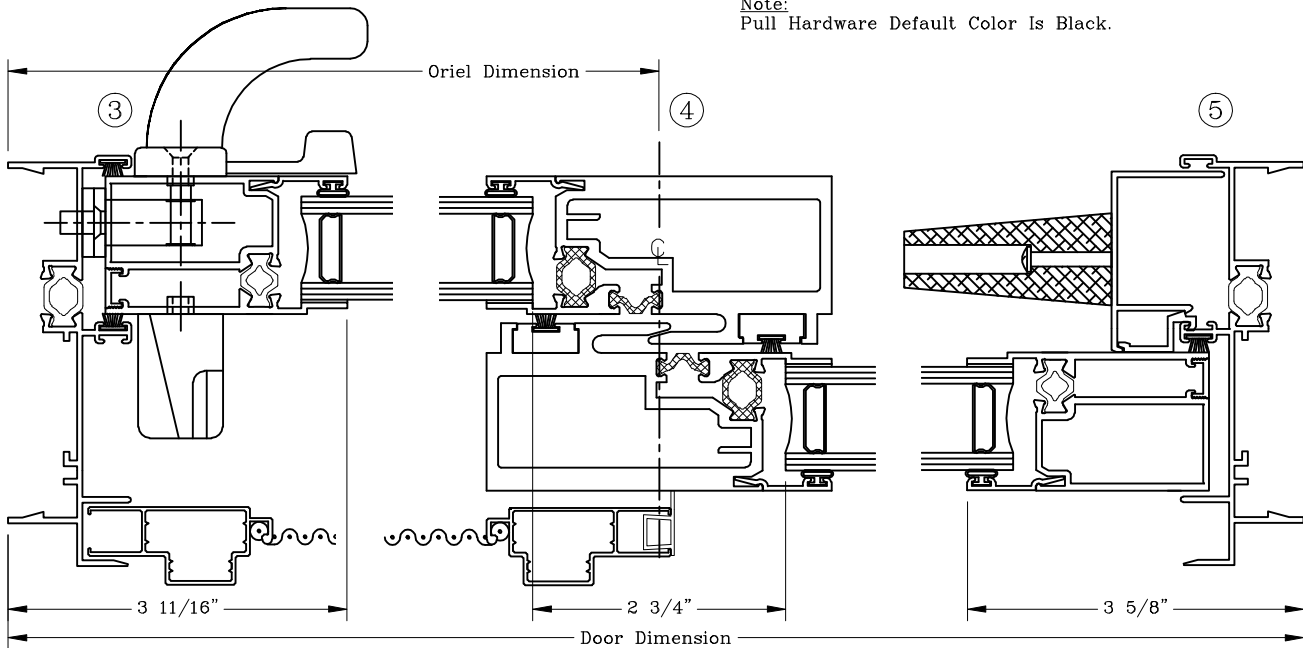
Note: Sealant Not Shown On Details. Consult Technical Services At Factory For Sealing Procedures.



ELEVATION

XO - Shown  
OX - Opposite

Note:  
Pull Hardware Default Color Is Black.



# Sliding Glass Door - 4"

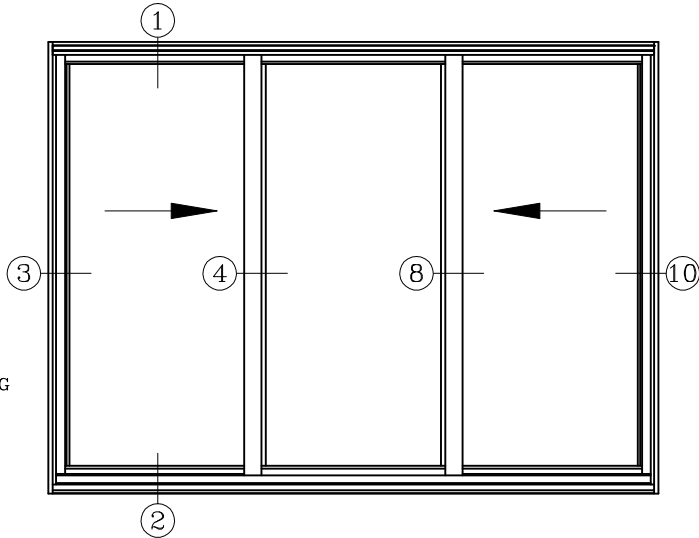
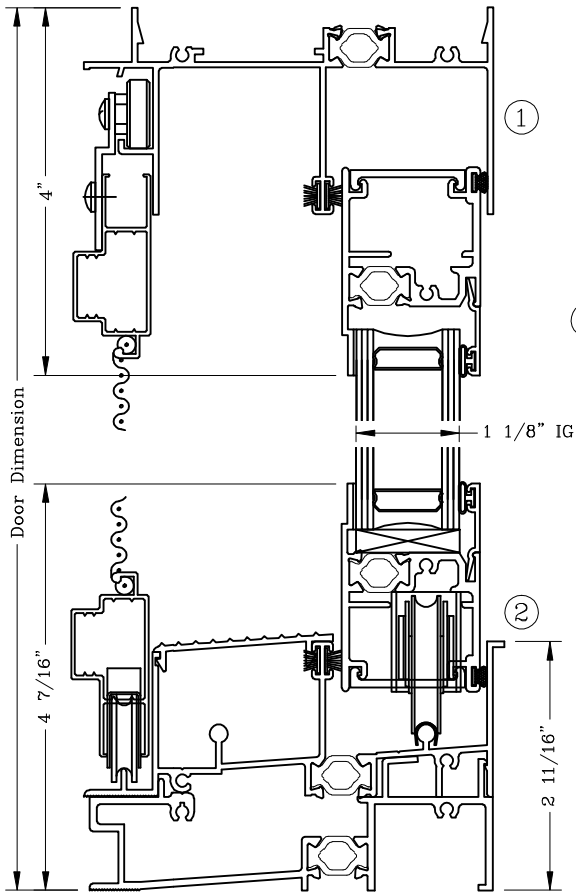


Series: S0900

Manufacturing Code: S0902

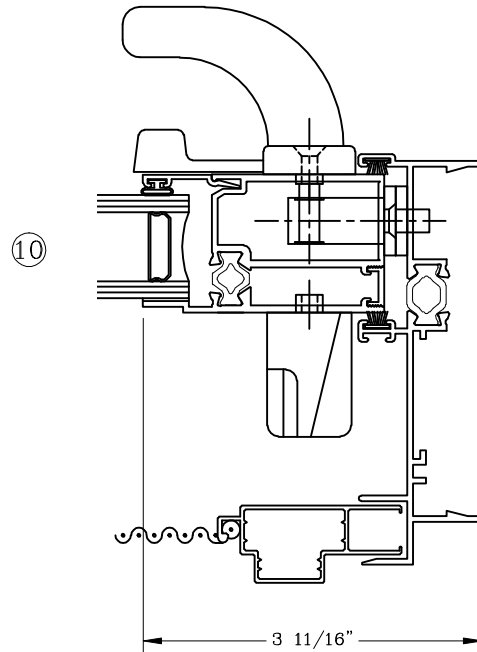
Drawing 1/2 Scale - For Custom Size Drawing Contact Graham

Note: Sealant Not Shown On Details. Consult Technical Services At Factory For Sealing Procedures.



ELEVATION  
XOX

- Note:
- 1. Reference Page S09.01 For Details #3, and #4.
  - 2. Reference Page S09.04 For Details #8.
  - 3. Pull Hardware Default Color Is Black.



# Sliding Glass Door - 4"

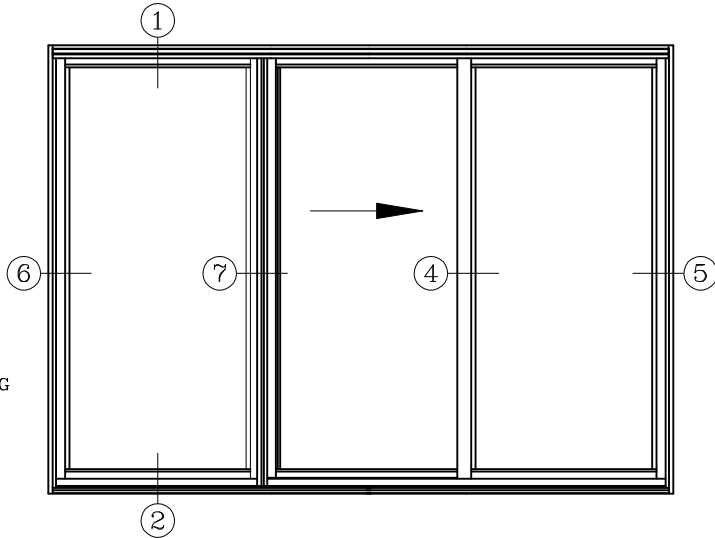
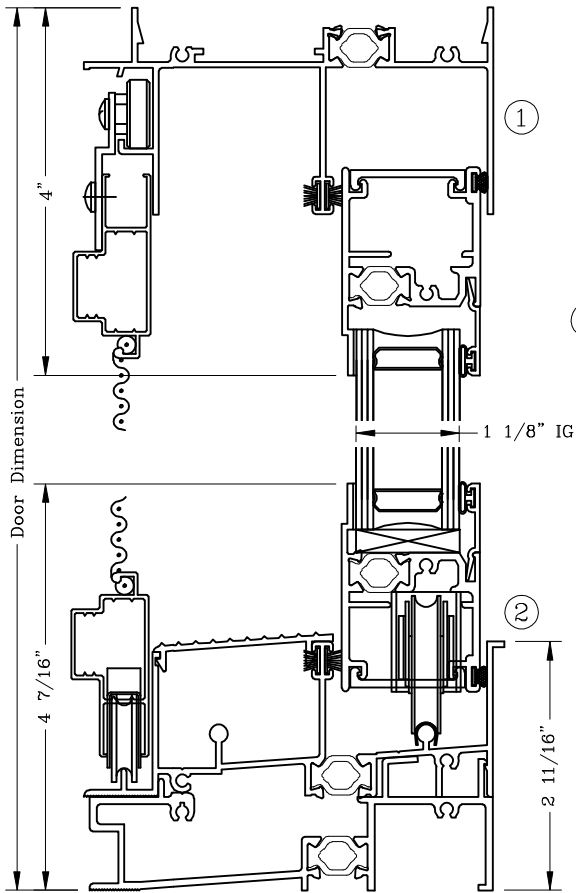


Series: S0900

Manufacturing Code: S0903

Drawing 1/2 Scale - For Custom Size Drawing Contact Graham

Note: Sealant Not Shown On Details. Consult Technical Services At Factory For Sealing Procedures.

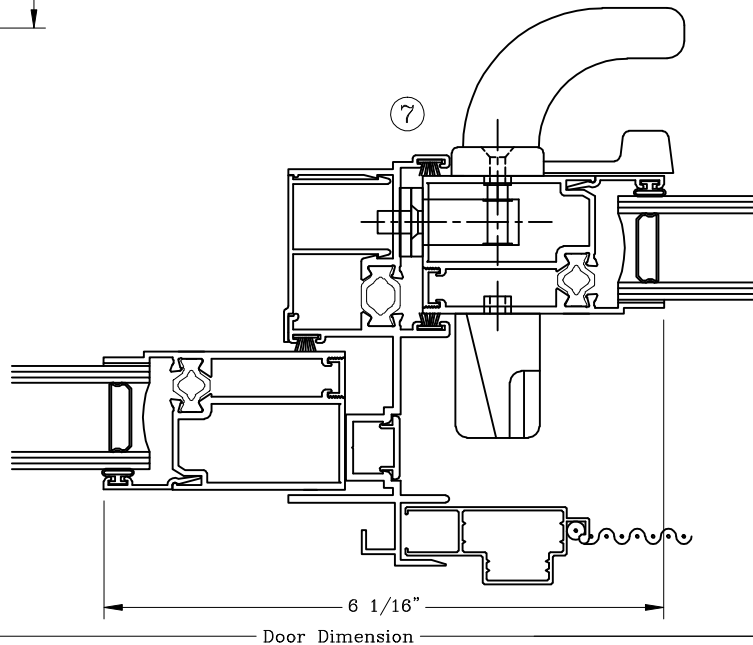
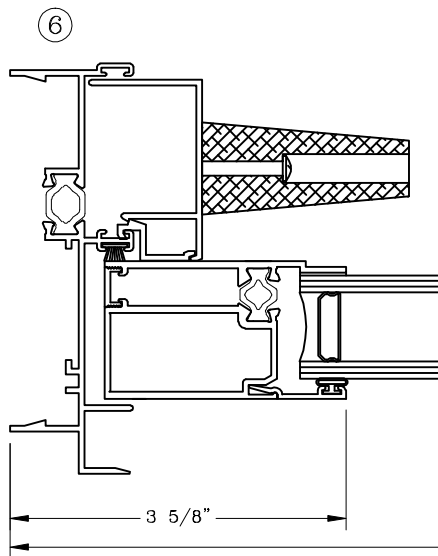


**ELEVATION**

OXO - Shown w/ Panel Sliding Right  
 OXO - Opposite w/ Panel Sliding Left

**Note:**

1. Reference Page S09.02 For Details #4, and #5.
2. Pull Hardware Default Color Is Black.



# Sliding Glass Door - 4"

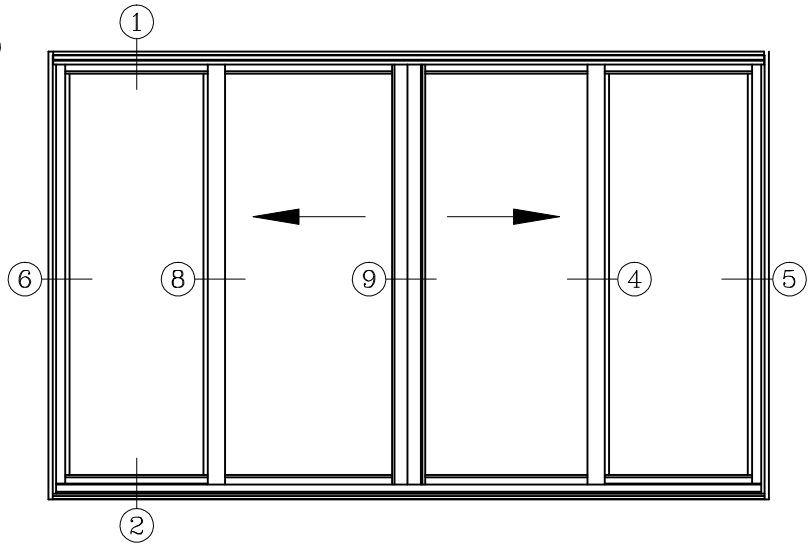
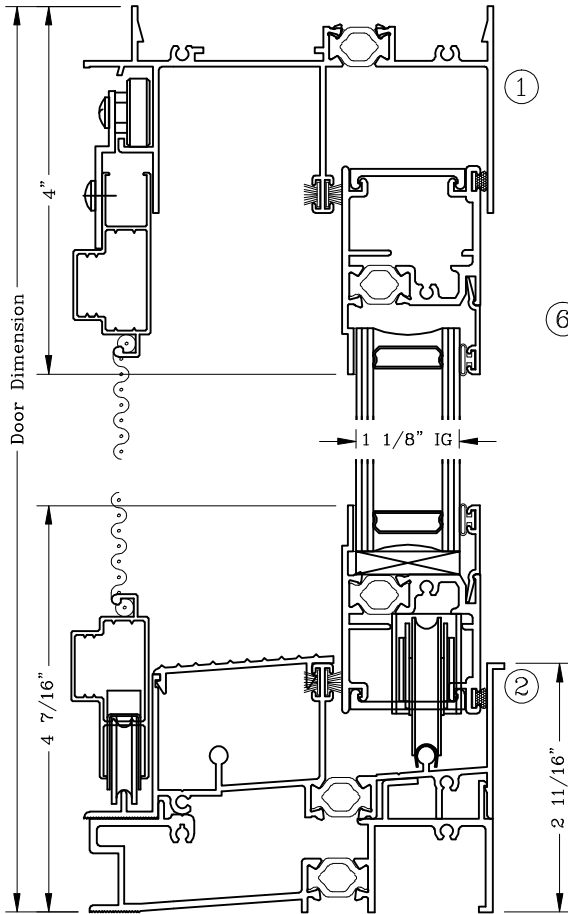


Series: S0900

Manufacturing Code: S0904

Drawing 1/2 Scale - For Custom Size Drawing Contact Graham

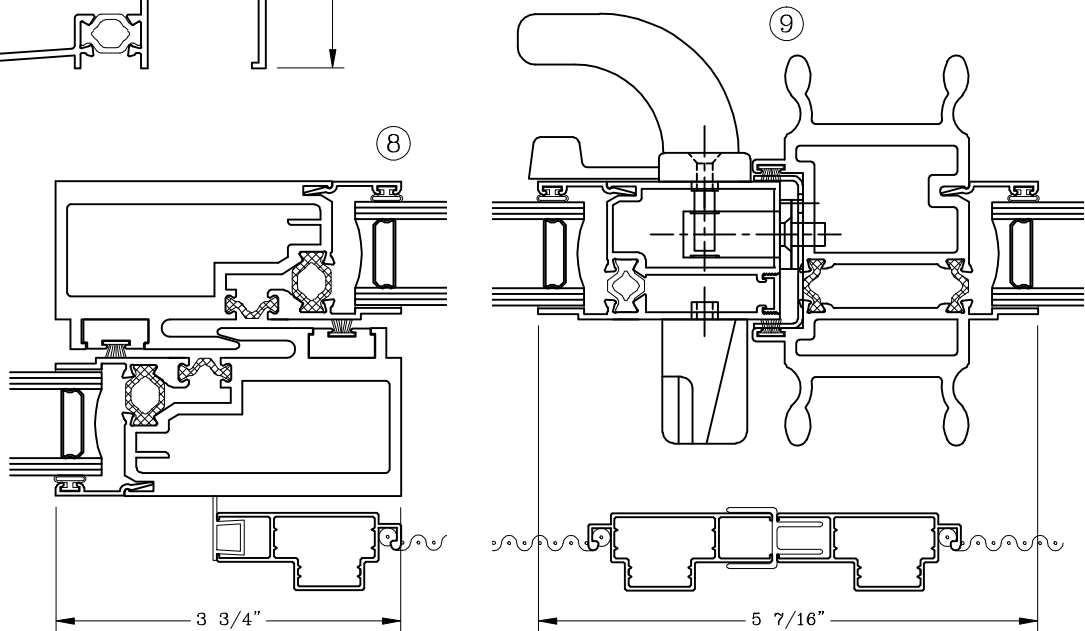
Note: Sealant Not Shown On Details. Consult Technical Services At Factory For Sealing Procedures.



ELEVATION  
OXXO

**Note:**

1. Reference Page S09.01 For Details #4, and #5.
2. Reference Page S09.03 For Details #6.
3. Pull Hardware Default Color Is Black.



# Sliding Glass Door - 4" Head Options

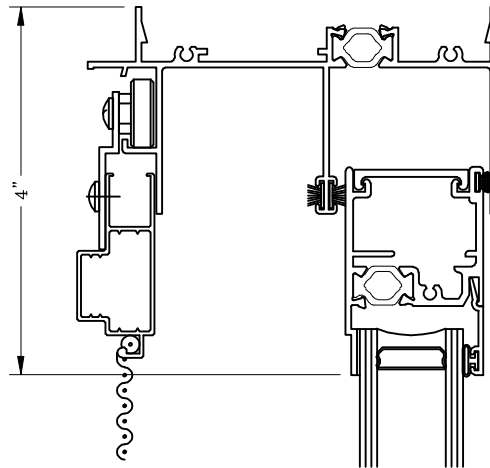


Series: S0900

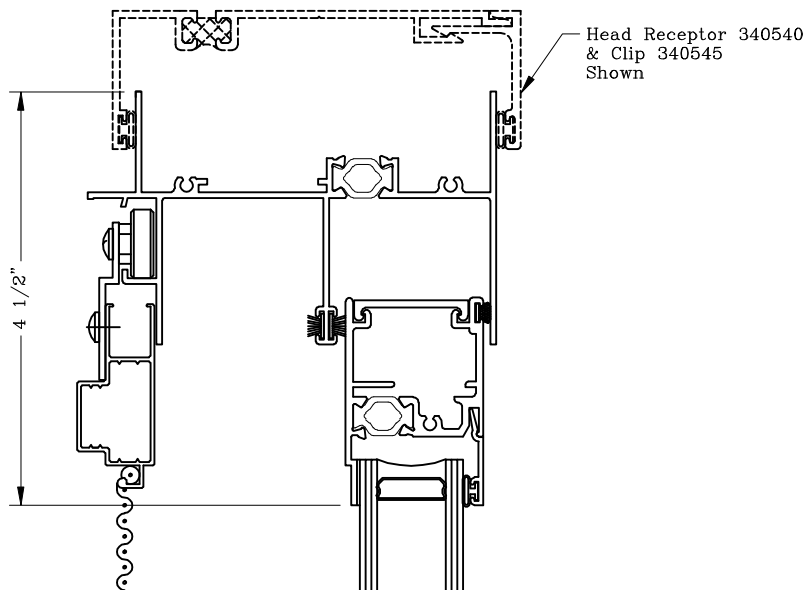
Manufacturing Code: S0907

Drawing 1/2 Scale - For Custom Size Drawing Contact Graham

Note: Sealant Not Shown On Details. Consult Technical Services At Factory For Sealing Procedures.



Standard Frame Head  
#090310



Optional Frame Head For  
Receptor Applications  
#090311

# Sliding Glass Door - 4" Frame Options

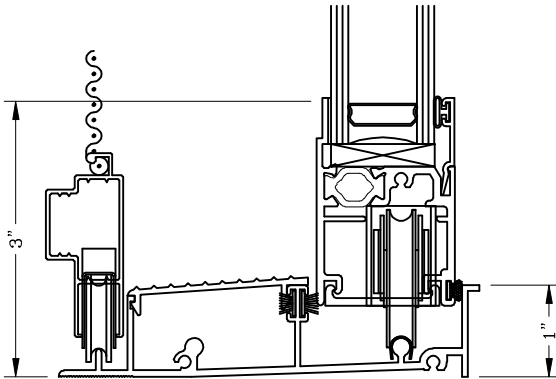


Series: S0900

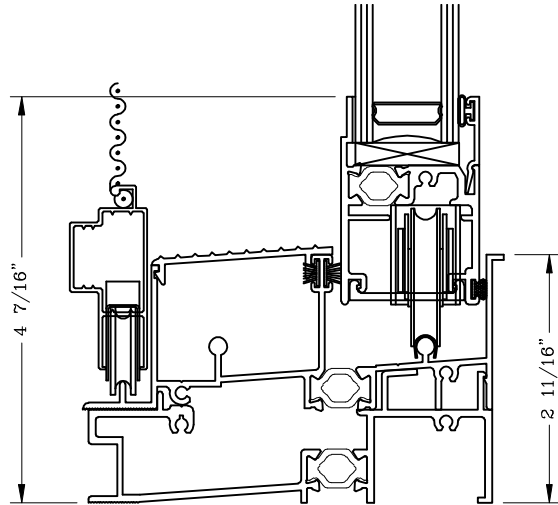
Manufacturing Code: S0910

Drawing 1/2 Scale - For Custom Size Drawing Contact Graham

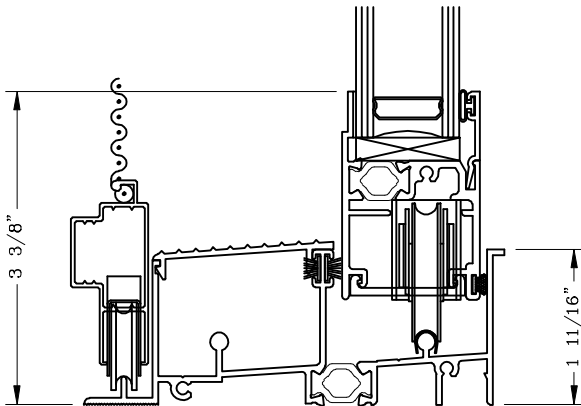
Note: Sealant Not Shown On Details. Consult Technical Services At Factory For Sealing Procedures.



Low Sill  
#090025

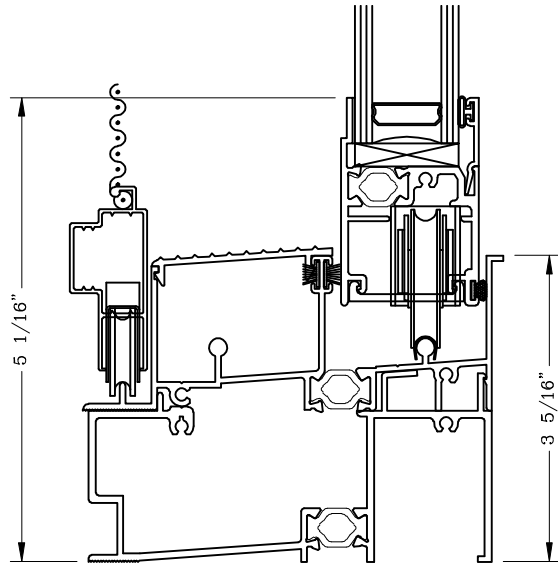


#10 WTP Sill  
#092321



#5.00 WTP Sill  
#092320

Note:  
Optional #5.00 WTP Sill Does Not Meet HC-50 Water  
Resistance Test.



#12 WTP Sill  
#092322

# Sliding Glass Door - 4" Interlock Options

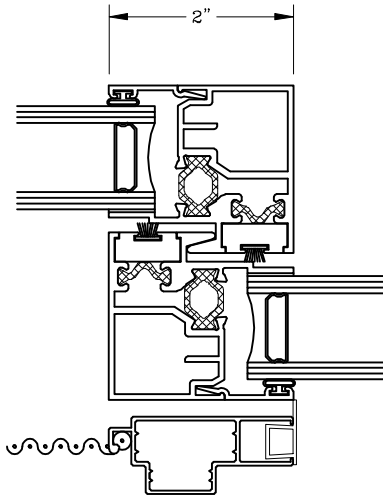


Series: S0900

Manufacturing Code: S0911

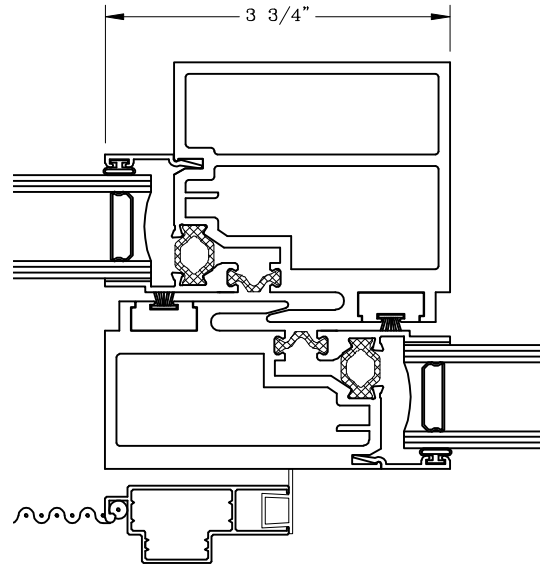
Drawing 1/2 Scale - For Custom Size Drawing Contact Graham

Note: Sealant Not Shown On Details. Consult Technical Services At Factory For Sealing Procedures.



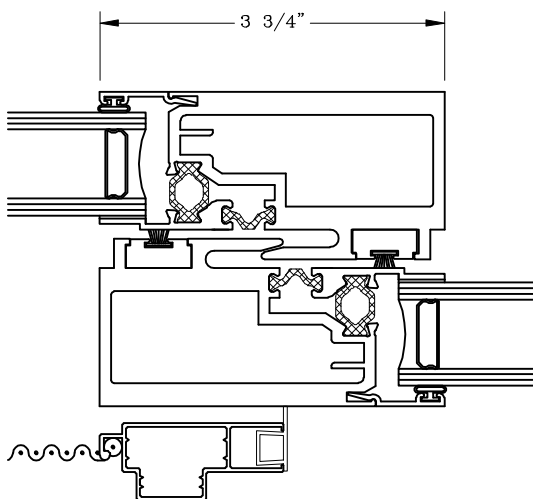
LC (Light Commercial)

# 091350



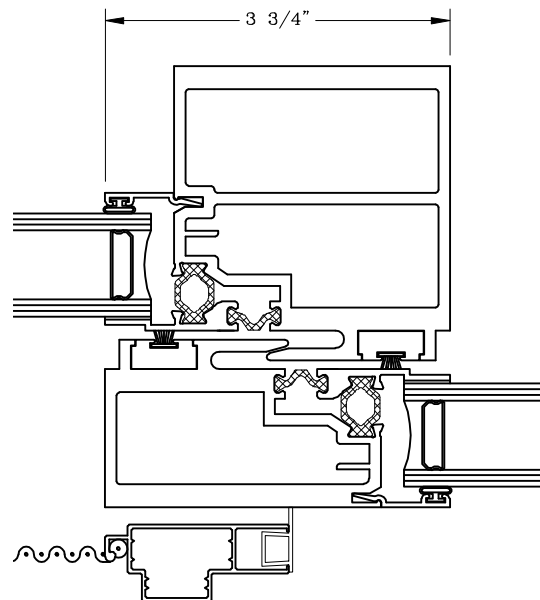
AW-40 (Architectural Window)

# 091352



CW (Commercial Window)

# 091351



AW-60 (Architectural Window)

# 091353