

# Single Hung Side Load 3 1/4" Historic Beveled Frame And Sash

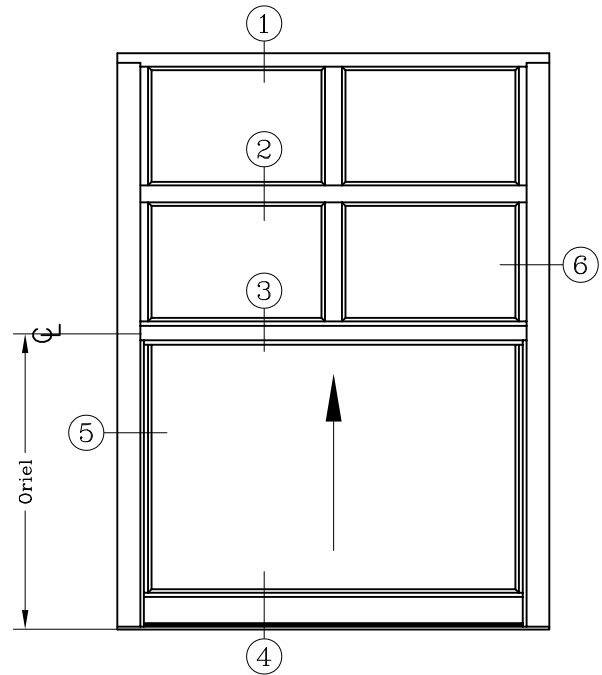
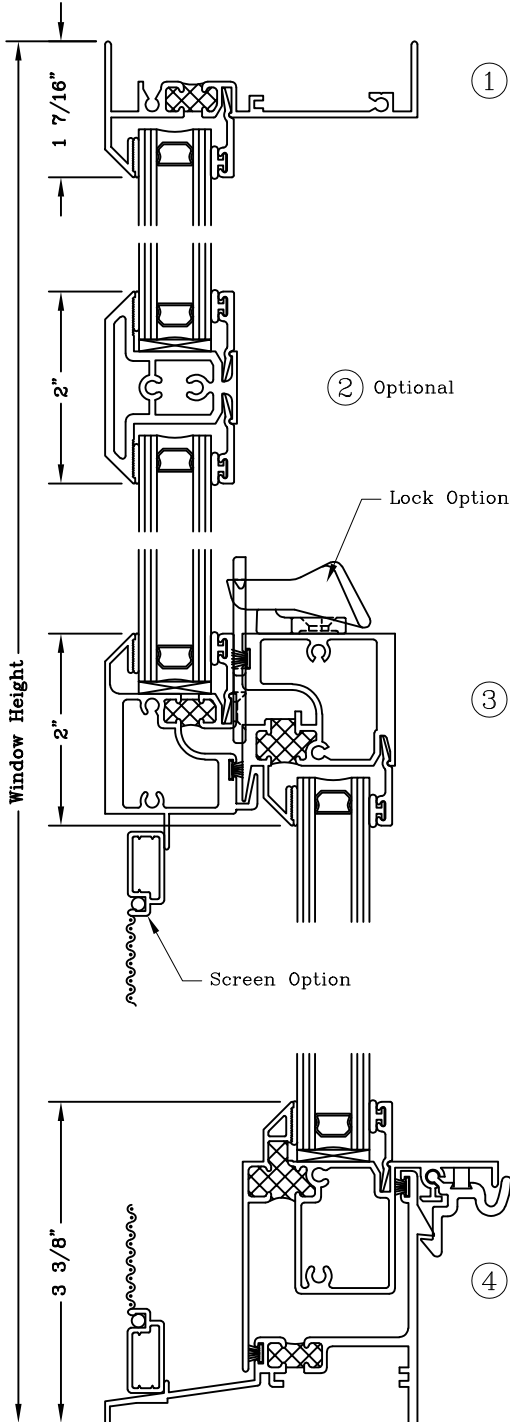


Series: 2000H

Manufacturing Code: 2009

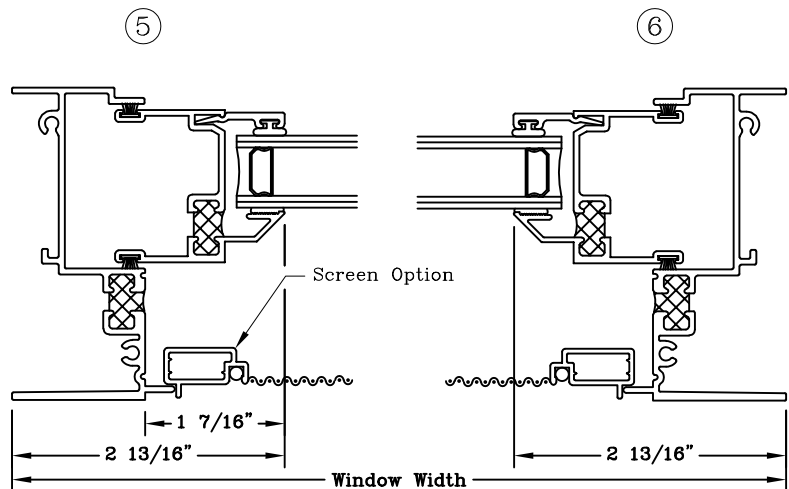
Drawing 1/2 Scale - For Custom Size Drawing Contact Graham

Note: Sealant Not Shown On Details. Refer To General Installation Instructions.



ELEVATION

Optional True Muntin Available  
For Fixed Lite And Operable Sash



Graham Architectural Products reserves the right to change, add, cancel, remove or otherwise modify the details illustrated without prior notice.

1551 Mt. Rose Avenue, York, Pennsylvania 17403-2909 717.849.8100 Toll Free: 800/755-6274

0223 - 20.09

Web Site: [www.grahamwindows.com](http://www.grahamwindows.com)