

2500 SERIES CURTAIN WALL DATA SHEET



2500 SERIES QUICK VIEW:

The 2500 Series curtain wall system was designed as a high performing solution for low and mid-rise buildings. This versatile system offers ease of installation and consistent performance.

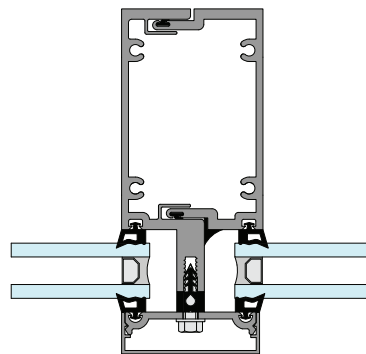
FEATURES

- Pressure glazed, outside set
- 2-1/2" face width
- 5-1/4, 6-1/4, 7-1/4, 8-1/4, 10-1/4" standard depths
- Split male-female vertical mullions
- 1/4"-1-1/8" glazing infills
- Captured or structurally glazed
- 3/8" thermal separation
- Screw-spline construction

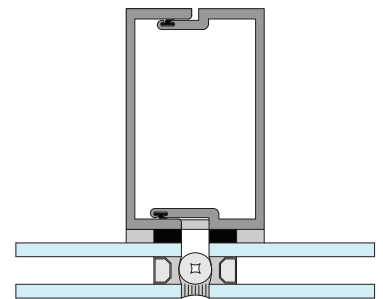
OPTIONAL FEATURES

- Zero sightline vents
- Sunshades and light shelves

2500 C Details (Vertical Section)



2500 S Details (Vertical Section)



AIR (cfm/ft ²) @ 6.24 psf	WATER (psf)	CRF	U-FACTOR (BTU/hr/ft ² /°F)
0.01	15	69	0.37 - 0.47 ¹

¹U-factor will Vary depending on glazing selected.