

2500 SERIES CURTAIN WALL DATA SHEET



2500 SERIES QUICK VIEW:

The 2500 Series curtain wall system was designed as a high performing solution for low and mid-rise buildings. This versatile system offers ease of installation and consistent performance.

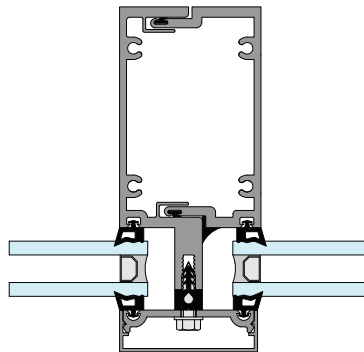
FEATURES

- Pressure glazed, outside set
- 2-1/2" face width
- 5-1/4, 6-1/4, 7-1/4, 8-1/4, 10-1/4" standard depths
- Split male-female vertical mullions
- 1/4"-1-1/8" glazing infills
- Captured or structurally glazed
- 3/8" thermal separation
- Screw-spline construction

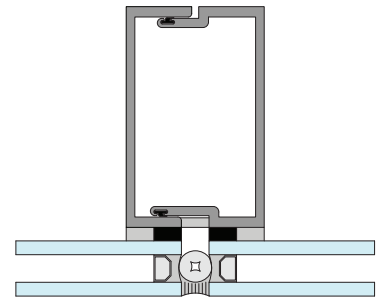
OPTIONAL FEATURES

- Zero sightline vents
- Sunshades and light shelves

2500 C Details (Vertical Section)



2500 S Details (Vertical Section)



AIR (cfm/ft ²) @ 6.24 psf	WATER (psf)	CRF	U-FACTOR (BTU/hr/ft ² /°F)
0.01	15	69	0.37 - 0.47 ¹

¹U-factor will Vary depending on glazing selected.

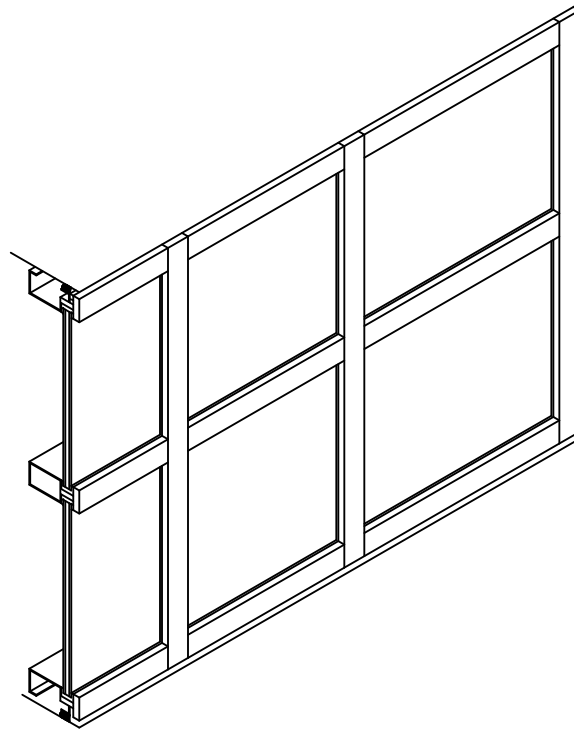
2-1/2" x 5-1/2"
Curtain Wall

Series: 2505C

Product Description

Drawing Not To Scale – For Custom Size Drawing Contact Graham

Note: Consult Technical Services At Factory For Sealing Procedures.



Graham 2505C series curtainwall is an outside glazed captured system designed for low to medium rise structures. It has a face width of 2 1/2" and a depth of 5 1/4". It incorporates a split male-female vertical mullion which allows factory assembly and sealing of the frame.

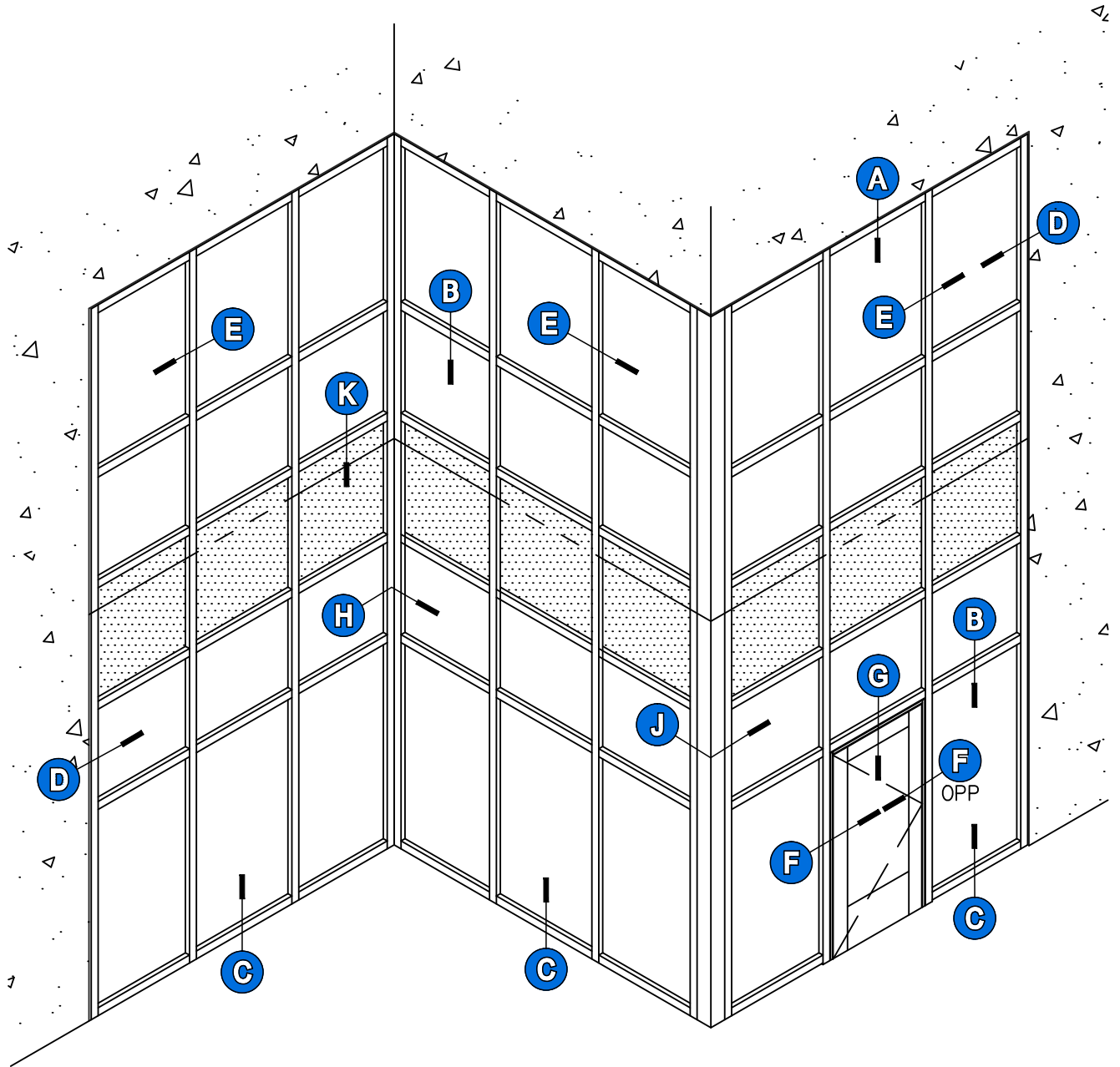
The 2505C series incorporates 1/4" glazing gaskets and a 3/8" thick thermal isolator. It can accommodate infill material from 1/4" up to 1 1/8" thick. Infill material is secured in with a screw applied pressure plate. A snap-on cover conceals the pressure plate screws and allows the use of different finishes on the interior and exterior exposed metal surfaces.

2-1/2" x 5-1/2"
Curtain Wall
Series: 2505C
Typical Elevation



Drawing Not To Scale – For Custom Size Drawing Contact Graham
Note: Consult Technical Services At Factory For Sealing Procedures.

(Click on the letters for more details)



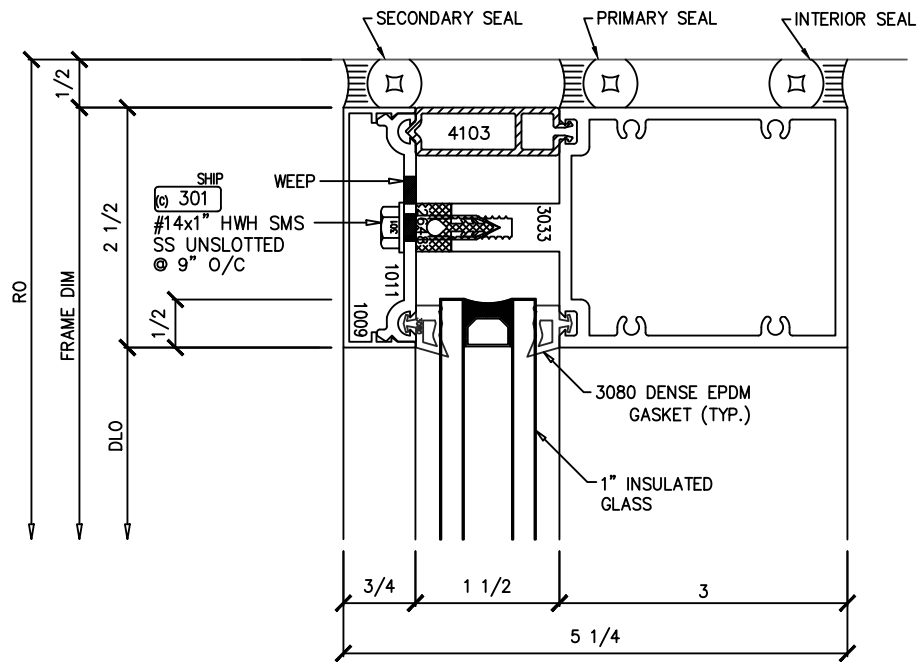
Elevation of Typical Captured Wall

2-1/2" x 5-1/2"
 Curtain Wall
 Series: 2505C
 Detail A



Drawing 1/2 Scale - For Custom Size Drawing Contact Graham

Note: Consult Technical Services At Factory For Sealing Procedures.



(A) Head

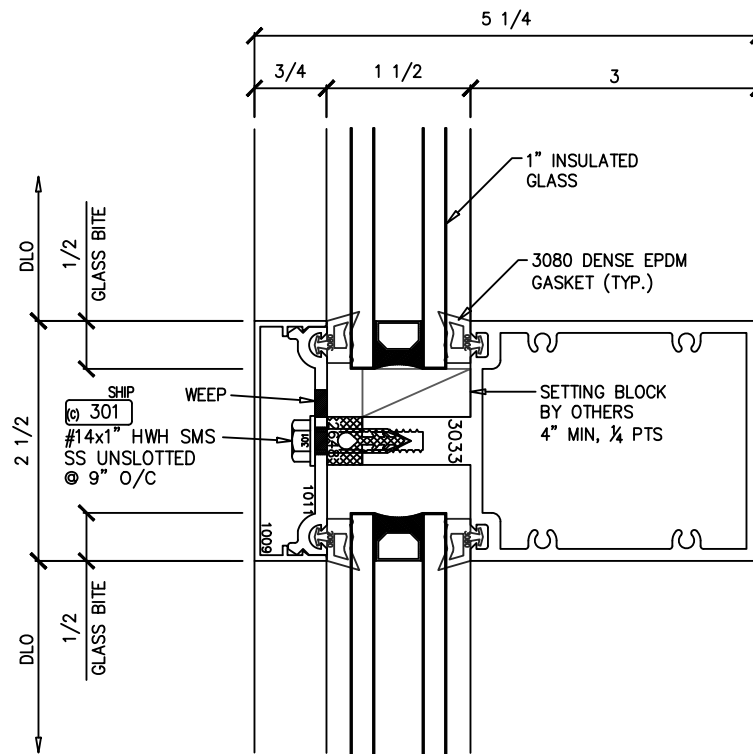
[Back to Typical Elevation](#)

2-1/2" x 5-1/2"
 Curtain Wall
 Series: 2505C
 Detail B



Drawing 1/2 Scale - For Custom Size Drawing Contact Graham

Note: Consult Technical Services At Factory For Sealing Procedures.



(B) Horizontal

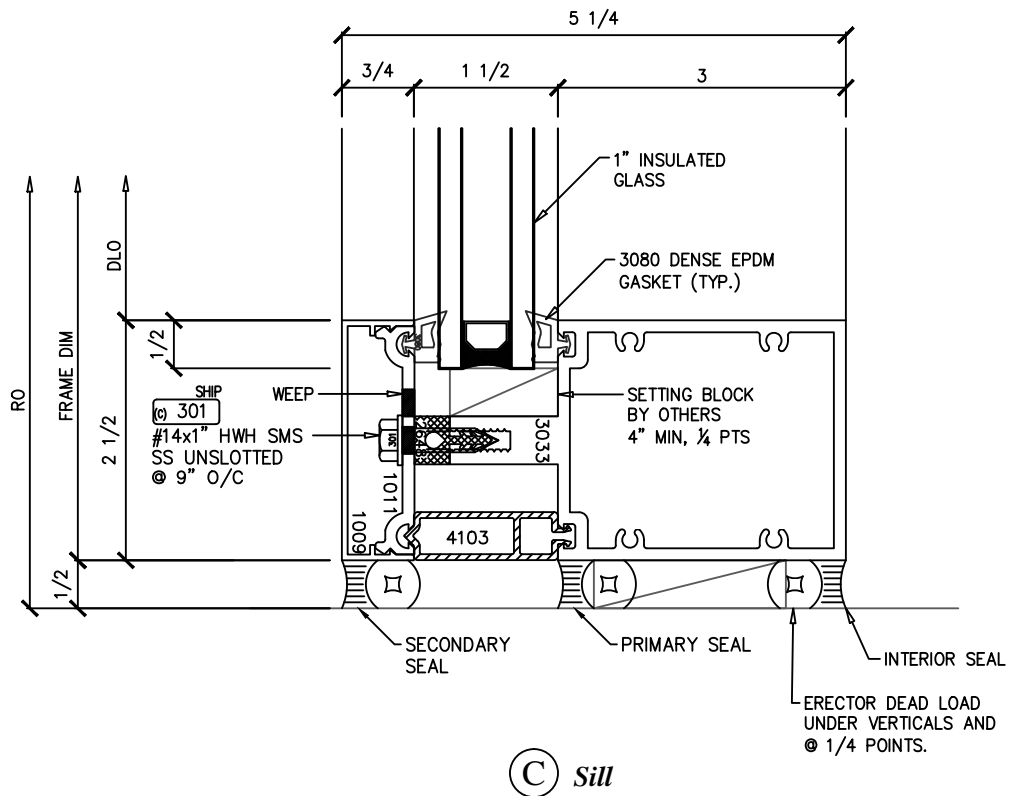
[Back to Typical Elevation](#)

2-1/2" x 5-1/2"
 Curtain Wall
 Series: 2505C
 Detail C



Drawing 1/2 Scale - For Custom Size Drawing Contact Graham

Note: Consult Technical Services At Factory For Sealing Procedures.



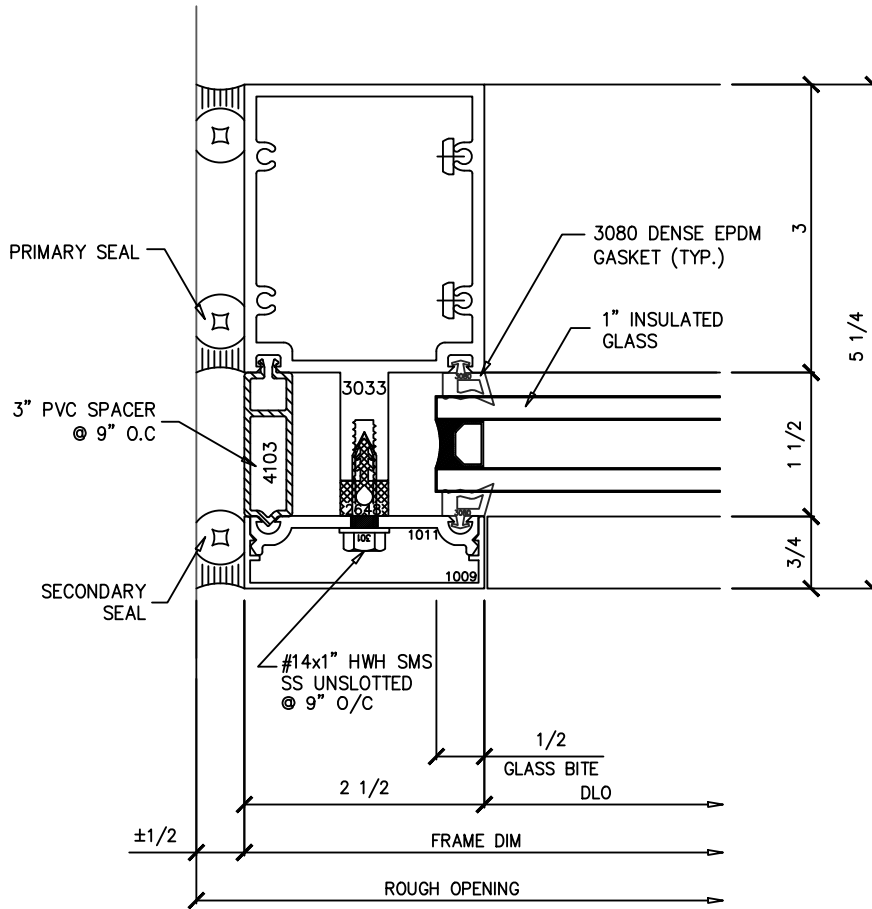
[Back to Typical Elevation](#)

2-1/2" x 5-1/2"
 Curtain Wall
 Series: 2505C
 Detail D



Drawing 1/2 Scale - For Custom Size Drawing Contact Graham

Note: Consult Technical Services At Factory For Sealing Procedures.



(D) Jamb

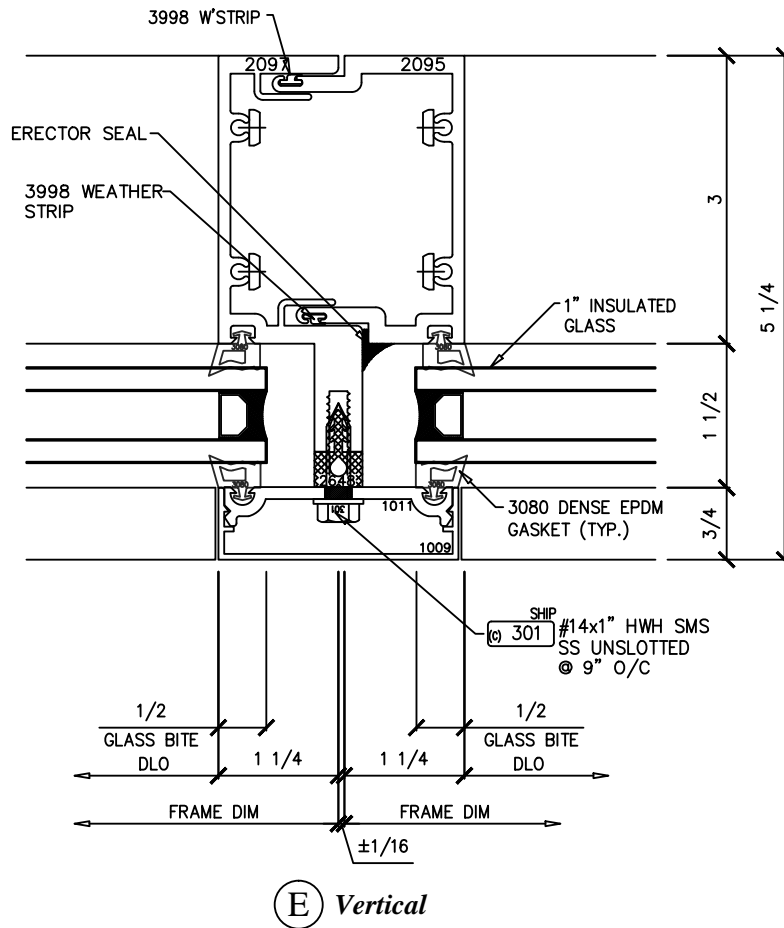
[Back to Typical Elevation](#)

2-1/2" x 5-1/2"
 Curtain Wall
 Series: 2505C
 Detail E



Drawing 1/2 Scale - For Custom Size Drawing Contact Graham

Note: Consult Technical Services At Factory For Sealing Procedures.



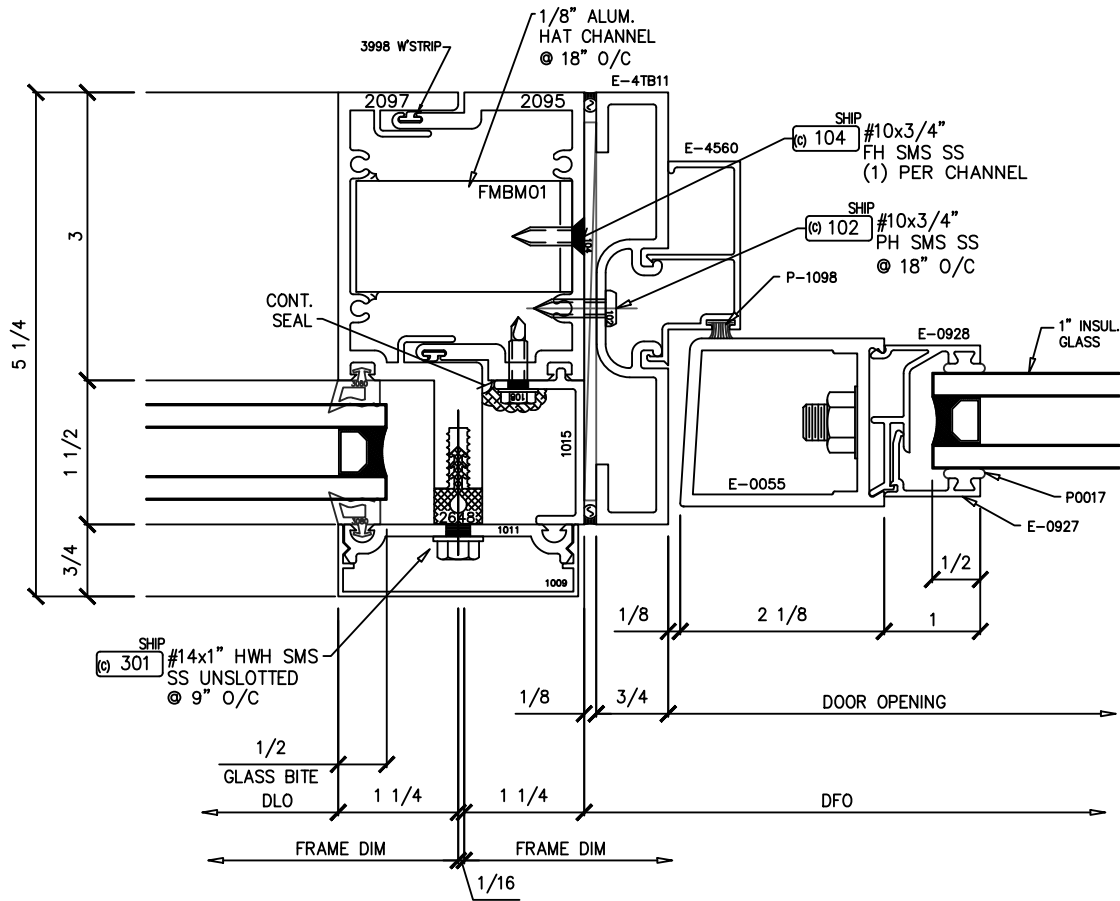
[Back to Typical Elevation](#)

2-1/2" x 5-1/2"
 Curtain Wall
 Series: 2505C
 Detail F



Drawing 1/2 Scale - For Custom Size Drawing Contact Graham

Note: Consult Technical Services At Factory For Sealing Procedures.



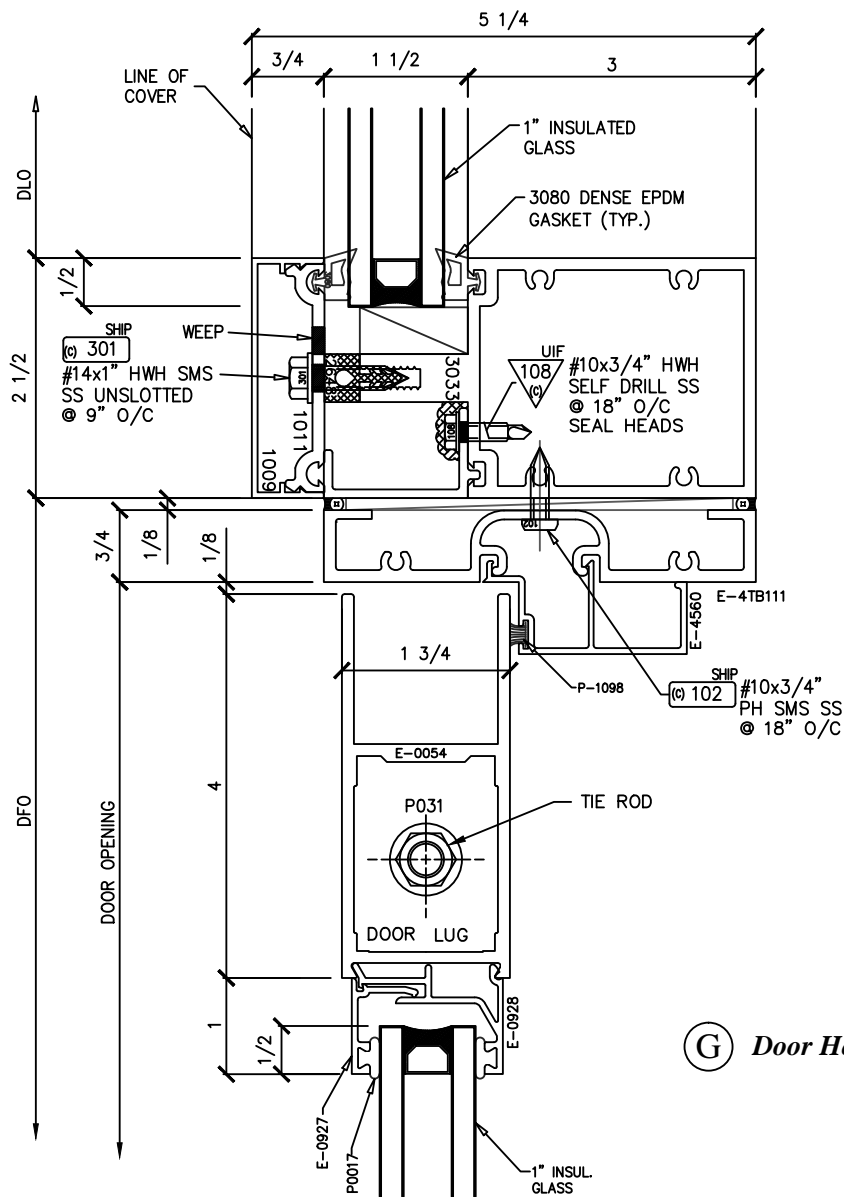
(F) Door Jamb

[Back to Typical Elevation](#)

2-1/2" x 5-1/2"
 Curtain Wall
 Series: 2505C
 Detail G

Drawing 1/2 Scale - For Custom Size Drawing Contact Graham

Note: Consult Technical Services At Factory For Sealing Procedures.



(G) Door Header

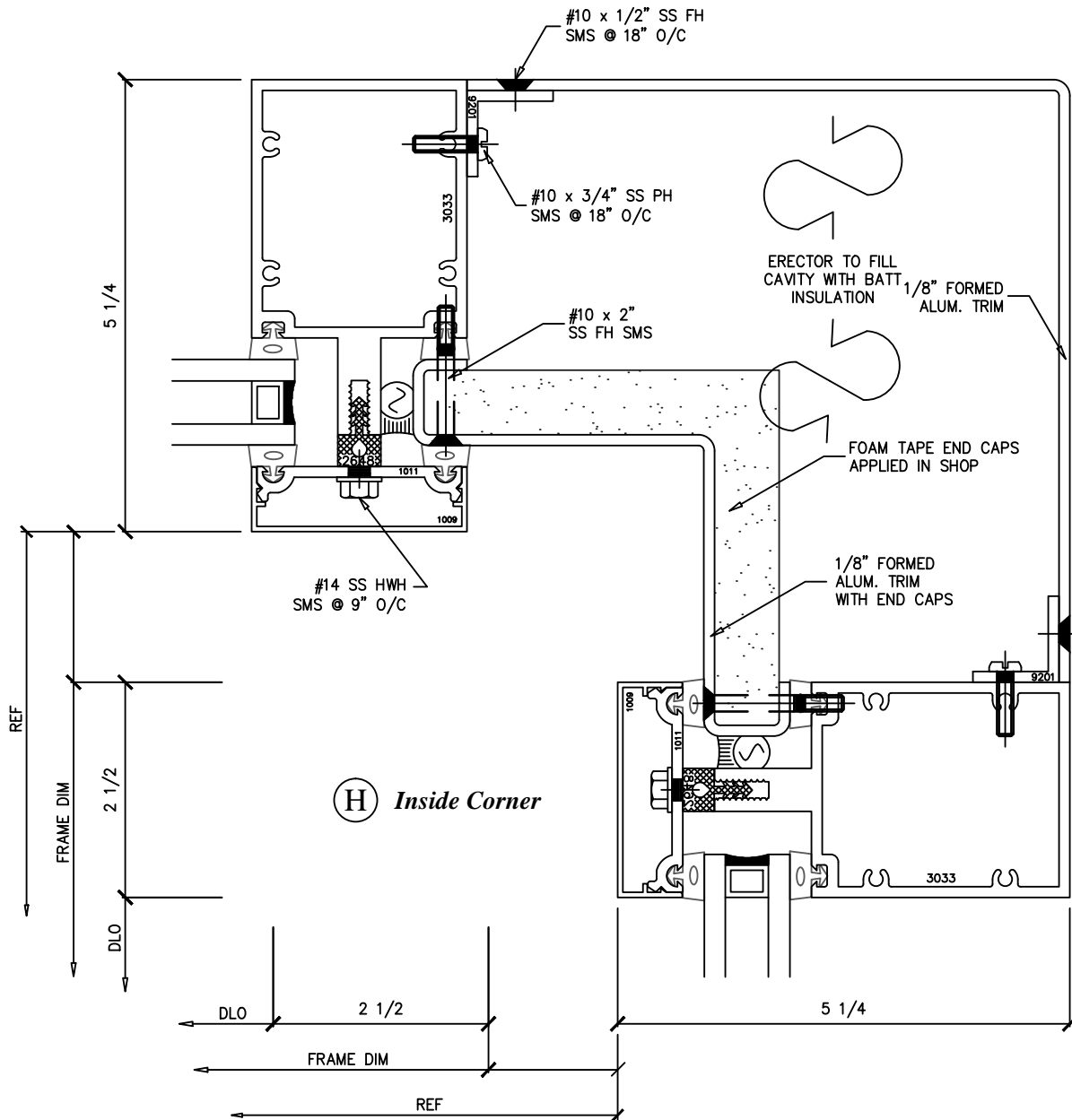
[Back to Typical Elevation](#)

2-1/2" x 5-1/2"
Curtain Wall
Series: 2505C
Detail H



Drawing 1/2 Scale - For Custom Size Drawing Contact Graham

Note: Consult Technical Services At Factory For Sealing Procedures.



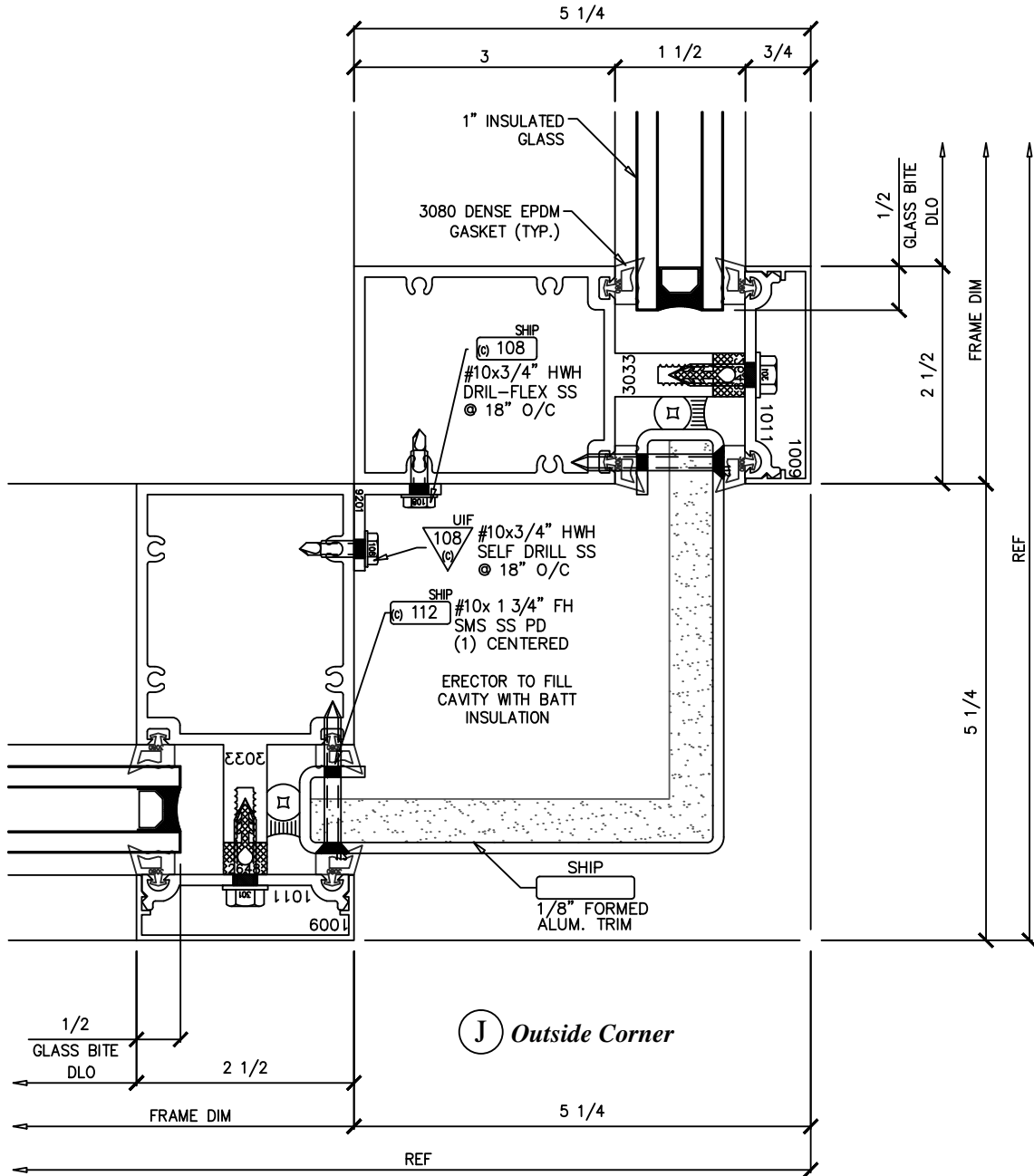
[Back to Typical Elevation](#)

2-1/2" x 5-1/2"
Curtain Wall
Series: 2505C
Detail J



Drawing 1/2 Scale - For Custom Size Drawing Contact Graham

Note: Consult Technical Services At Factory For Sealing Procedures.



[Back to Typical Elevation](#)

2-1/2" x 5-1/2" Curtain Wall

Series: 2505C

Detail K



Drawing 1/2 Scale - For Custom Size Drawing Contact Graham

Note: Consult Technical Services At Factory For Sealing Procedures.

