

## 2500 SERIES CURTAIN WALL DATA SHEET



### 2500 SERIES QUICK VIEW:

The 2500 Series curtain wall system was designed as a high performing solution for low and mid-rise buildings. This versatile system offers ease of installation and consistent performance.

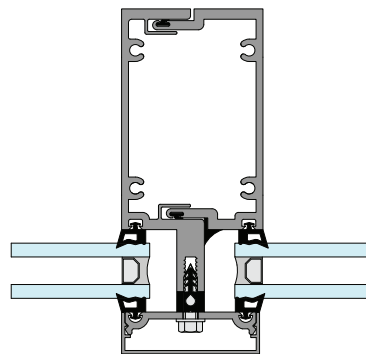
### FEATURES

- Pressure glazed, outside set
- 2-1/2" face width
- 5-1/4, 6-1/4, 7-1/4, 8-1/4, 10-1/4" standard depths
- Split male-female vertical mullions
- 1/4"-1-1/8" glazing infills
- Captured or structurally glazed
- 3/8" thermal separation
- Screw-spline construction

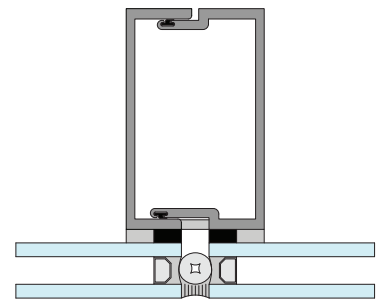
### OPTIONAL FEATURES

- Zero sightline vents
- Sunshades and light shelves

2500 C Details (Vertical Section)



2500 S Details (Vertical Section)



AIR (cfm/ft <sup>2</sup> ) @ 6.24 psf	WATER (psf)	CRF	U-FACTOR (BTU/hr/ft <sup>2</sup> /°F)
0.01	15	69	0.37 - 0.47 <sup>1</sup>

<sup>1</sup>U-factor will Vary depending on glazing selected.

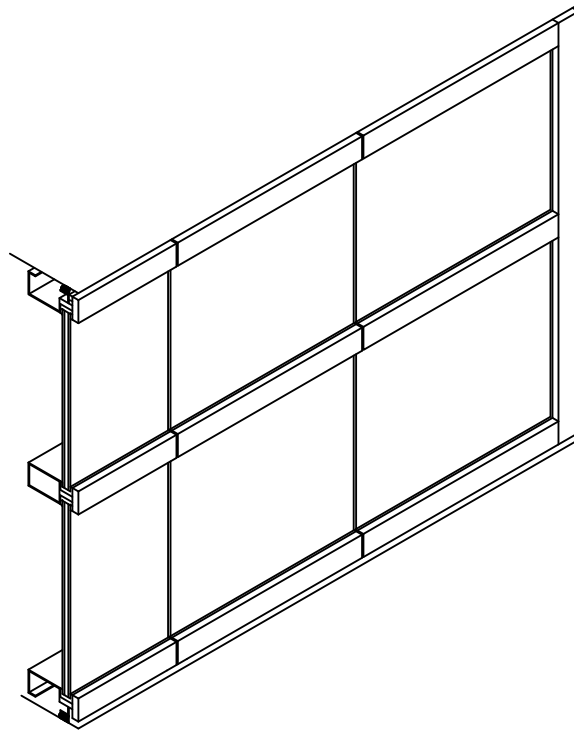
2-1/2" x 6"  
Curtain Wall

Series: 2506S

## Product Description

**Drawing Not To Scale – For Custom Size Drawing Contact Graham**

Note: Consult Technical Services At Factory For Sealing Procedures.



*Graham 2506S series curtainwall is an outside vertically butt glazed system designed for low to medium rise structures. It has a face width of 2 1/2" and a depth of 6 1/4". It incorporates a split male-female vertical mullion which allows factory assembly and sealing of the frame.*

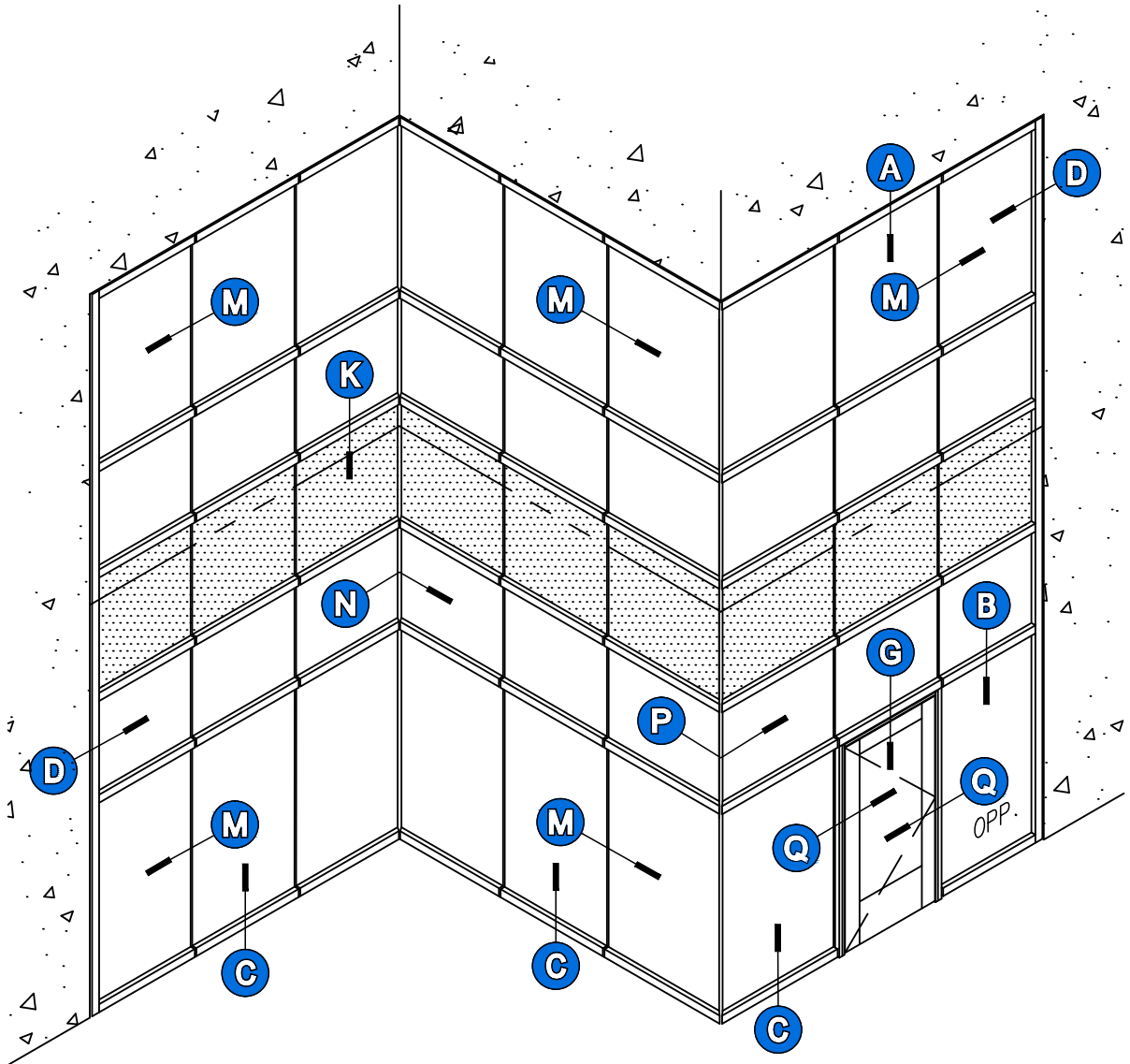
*The 2506S series incorporates 1/4" glazing gaskets and a 3/8" thick thermal isolator at the horizontals. It can accommodate infill material from 1/4" up to 1" thick. Infill material is secured at the horizontal with a screw applied pressure plate. A snap-on cover conceals the pressure plate screws and allows the use of different finishes on the interior and exterior exposed metal surfaces. The glass is secured to the vertical with a 1/4"x1/2" structural silicone seal.*

2-1/2" x 6"  
Curtain Wall  
Series: 2506S  
Typical Elevation



Drawing Not To Scale – For Custom Size Drawing Contact Graham  
Note: Consult Technical Services At Factory For Sealing Procedures.

(Click on the letters for more details)



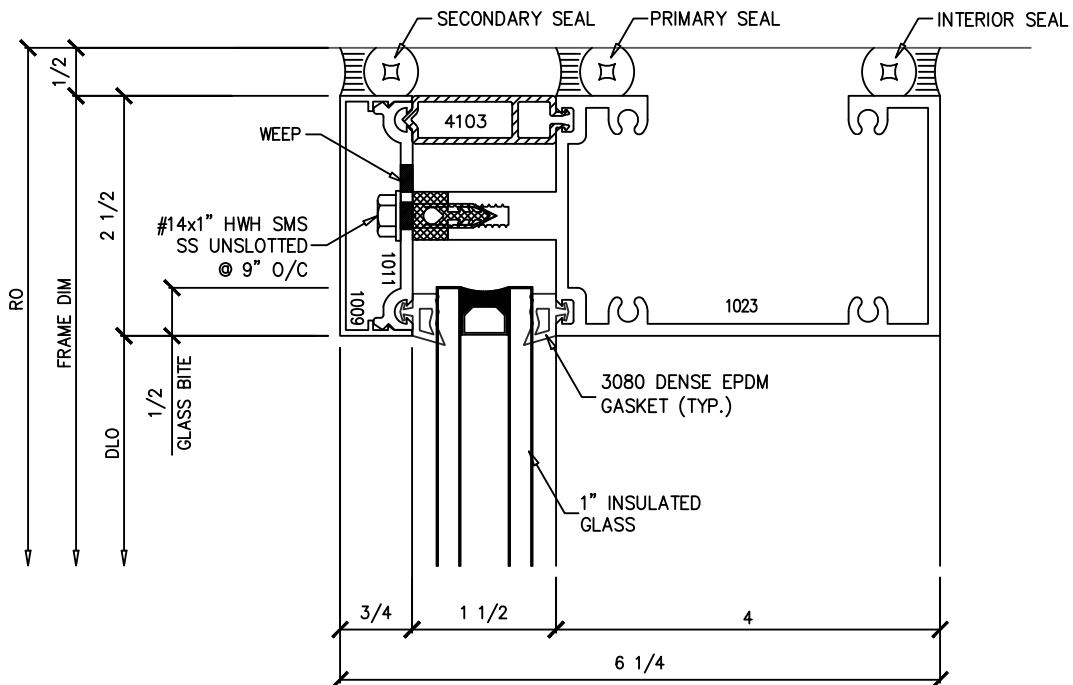
*Elevation of Structurally Glazed Wall*

2-1/2" x 6"  
 Curtain Wall  
 Series: 2506S  
 Detail A



Drawing 1/2 Scale - For Custom Size Drawing Contact Graham

Note: Consult Technical Services At Factory For Sealing Procedures.



(A) Head

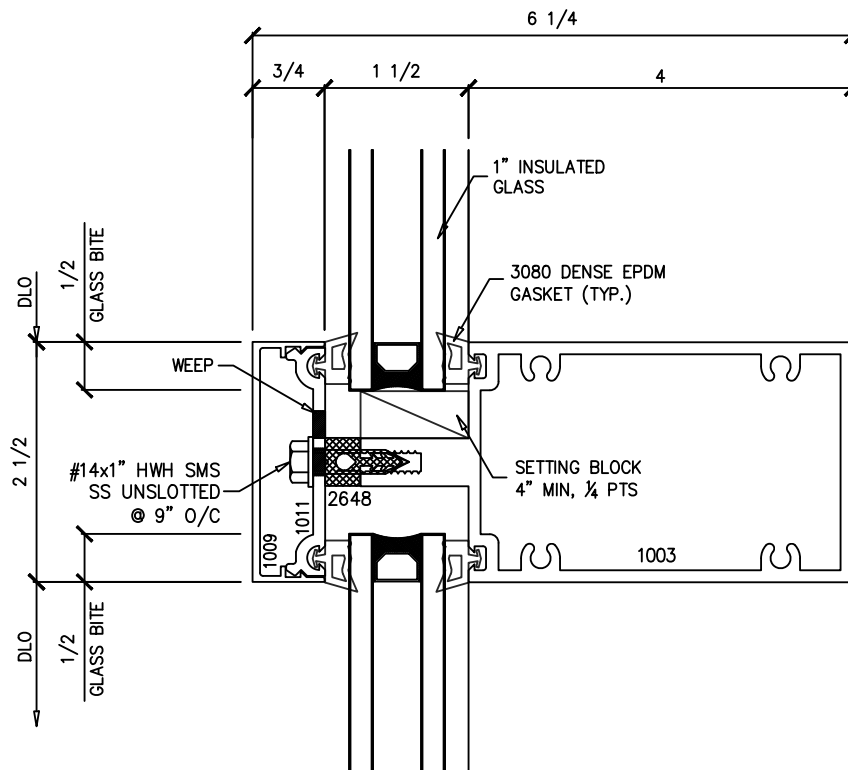
[Back to Typical Elevation](#)

2-1/2" x 6"  
 Curtain Wall  
 Series: 2506S  
 Detail B



Drawing 1/2 Scale - For Custom Size Drawing Contact Graham

Note: Consult Technical Services At Factory For Sealing Procedures.



(B) Horizontal

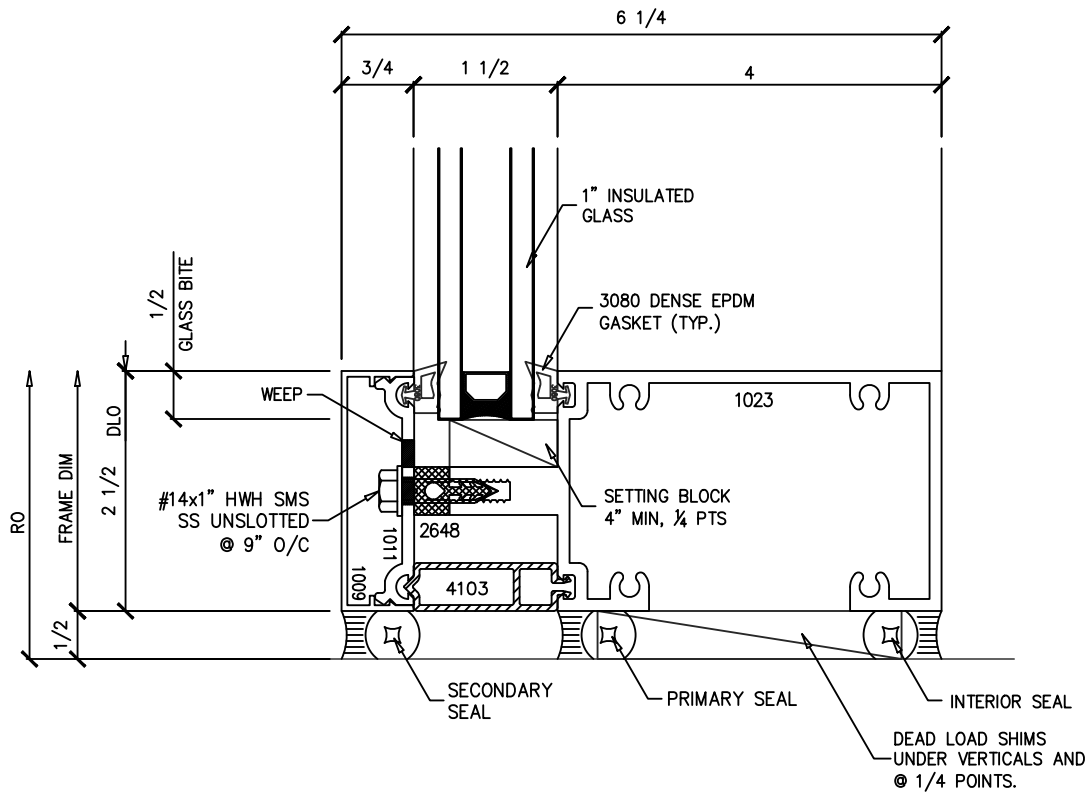
[Back to Typical Elevation](#)

2-1/2" x 6"  
 Curtain Wall  
 Series: 2506S  
 Detail C



**Drawing 1/2 Scale - For Custom Size Drawing Contact Graham**

Note: Consult Technical Services At Factory For Sealing Procedures.



© Sill

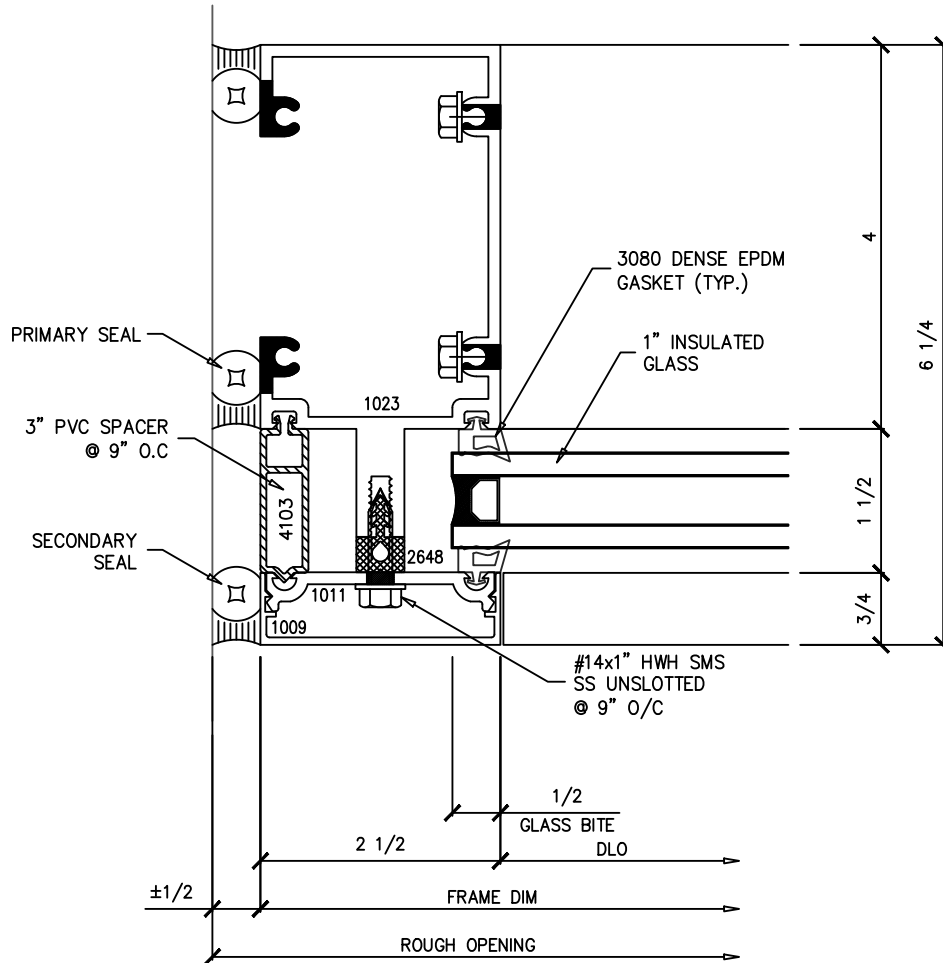
[Back to Typical Elevation](#)

2-1/2" x 6"  
 Curtain Wall  
 Series: 2506S  
 Detail D



Drawing 1/2 Scale - For Custom Size Drawing Contact Graham

Note: Consult Technical Services At Factory For Sealing Procedures.



(D) Jamb

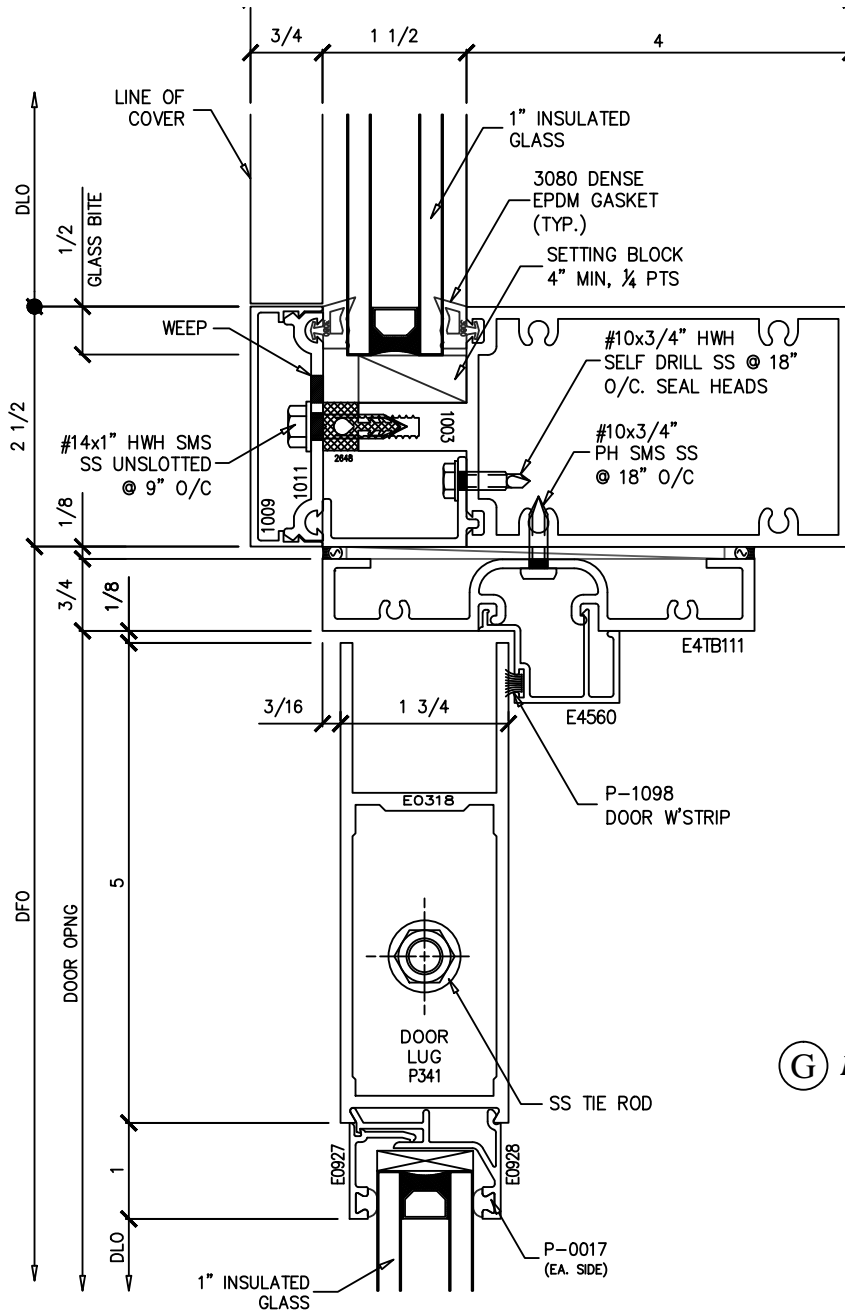
[Back to Typical Elevation](#)



2-1/2" x 6"  
Curtain Wall  
Series: 2506S  
Detail G

Drawing 1/2 Scale - For Custom Size Drawing Contact Graham

Note: Consult Technical Services At Factory For Sealing Procedures.



**G** Door Header

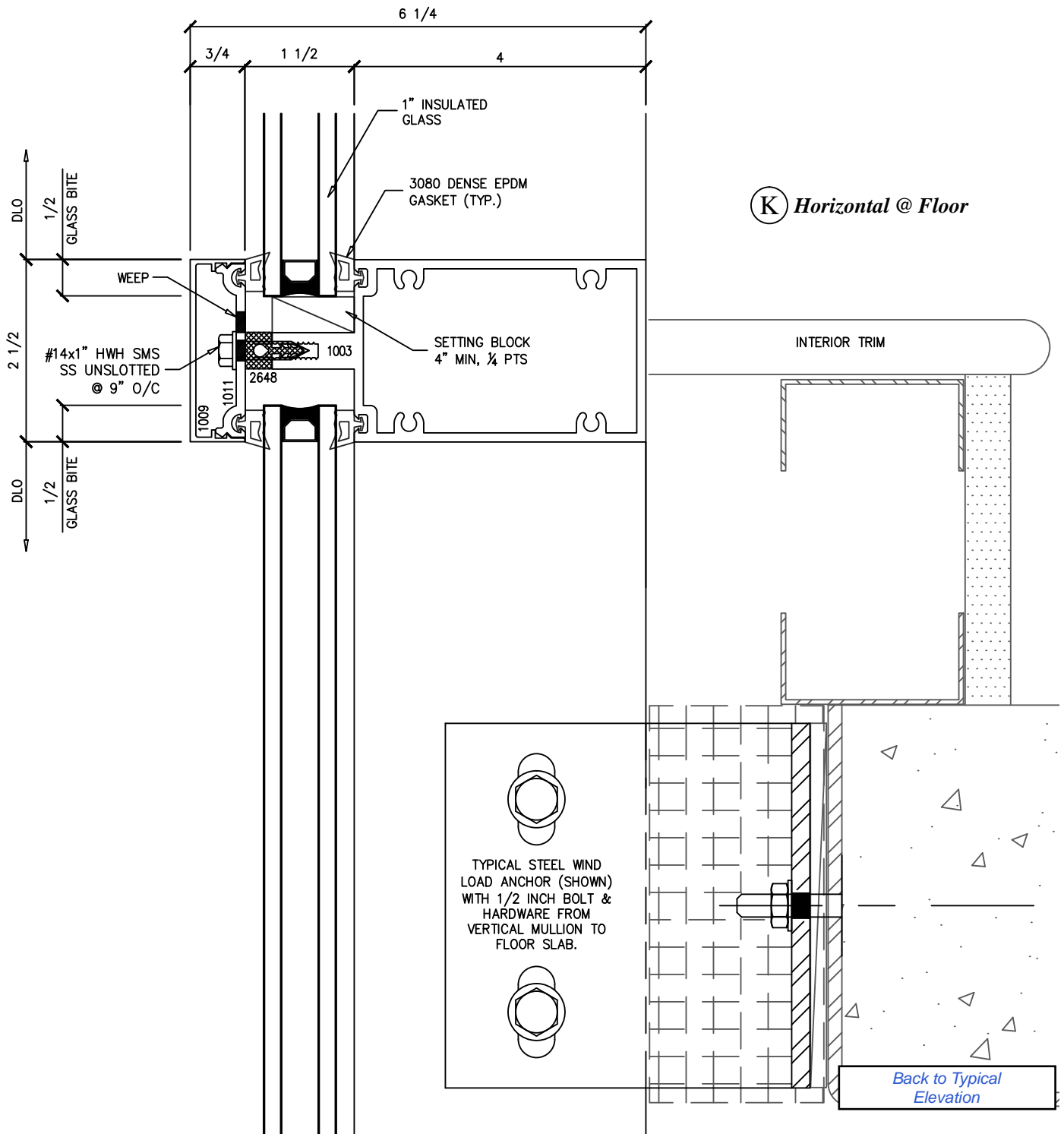
[Back to Typical Elevation](#)



2-1/2" x 6"  
Curtain Wall  
Series: 2506S  
Detail K

**Drawing 1/2 Scale - For Custom Size Drawing Contact Graham**

Note: Consult Technical Services At Factory For Sealing Procedures.

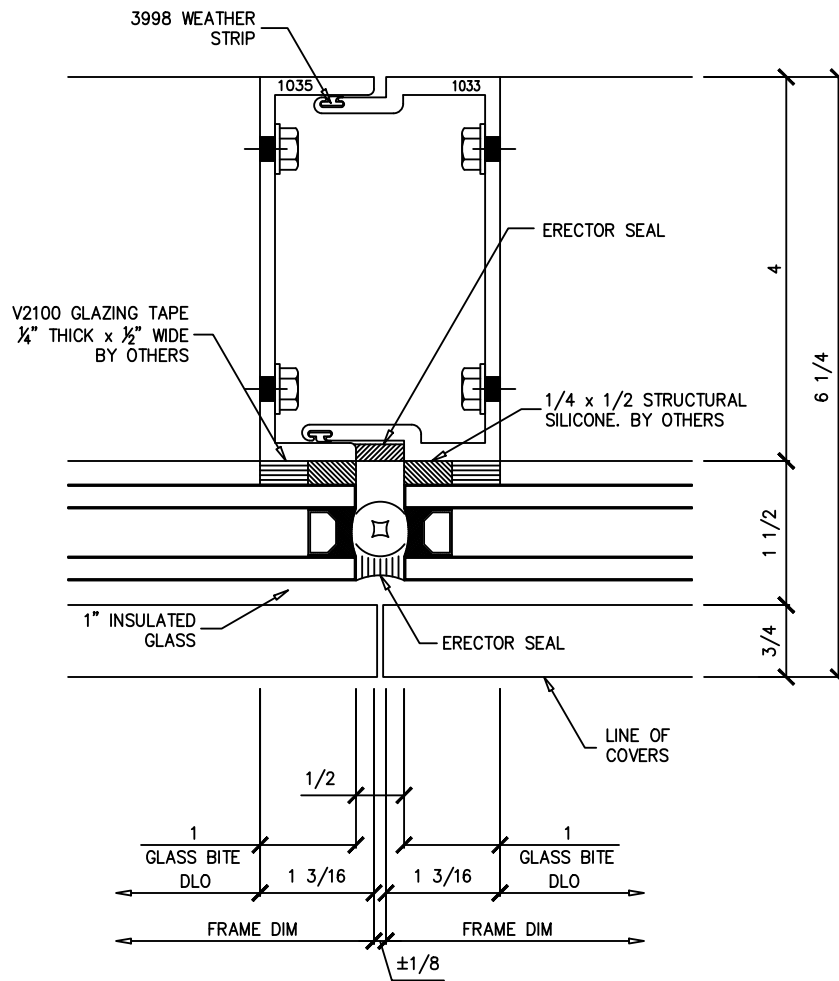


2-1/2" x 6"  
 Curtain Wall  
 Series: 2506S  
 Detail M



Drawing 1/2 Scale - For Custom Size Drawing Contact Graham

Note: Consult Technical Services At Factory For Sealing Procedures.



(M) Structurally Glazed Vertical Stack

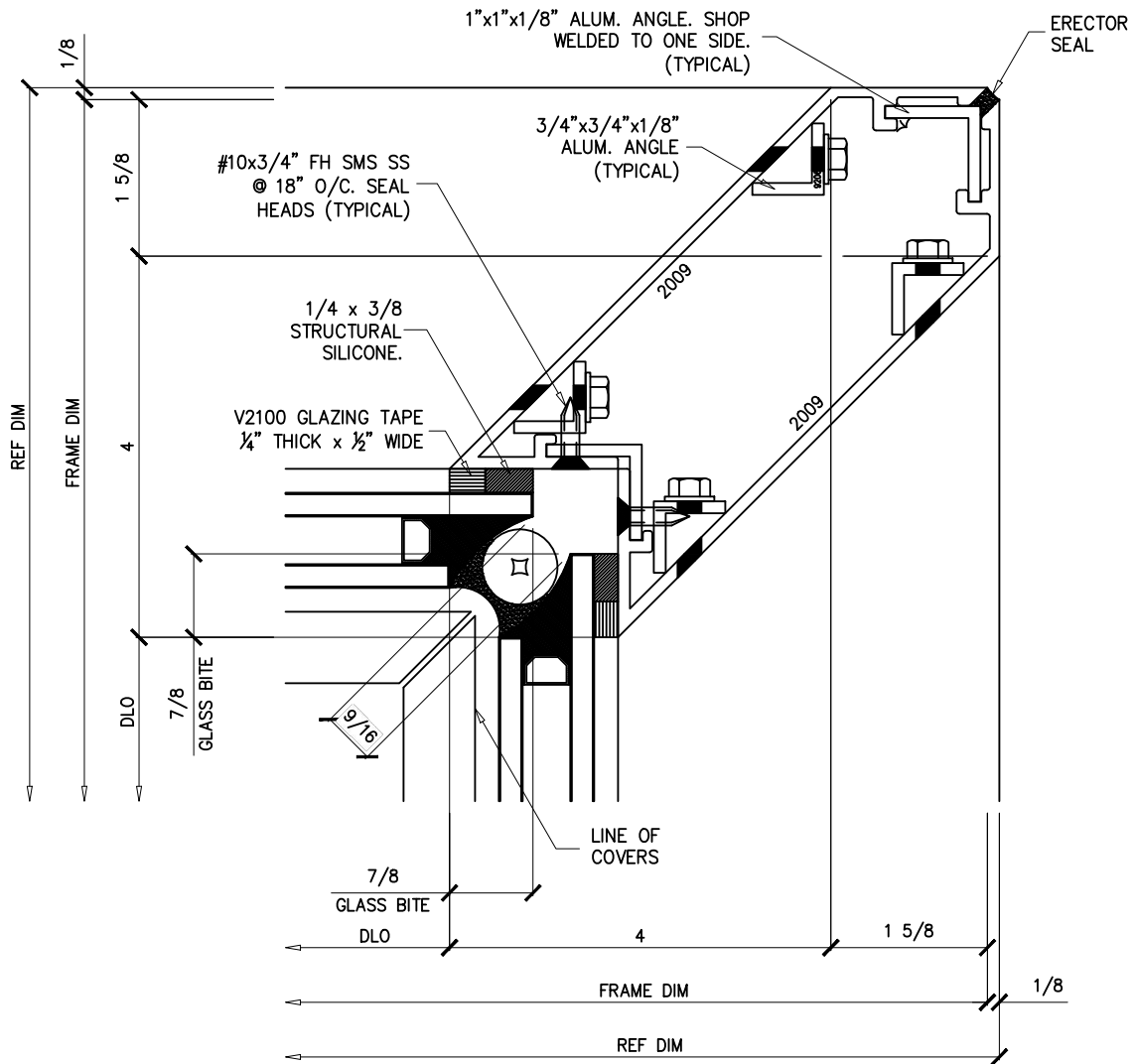
[Back to Typical Elevation](#)

2-1/2" x 6"  
 Curtain Wall  
 Series: 2506S  
 Detail N



Drawing 1/2 Scale - For Custom Size Drawing Contact Graham

Note: Consult Technical Services At Factory For Sealing Procedures.



(N) Structurally Glazed Inside Corner

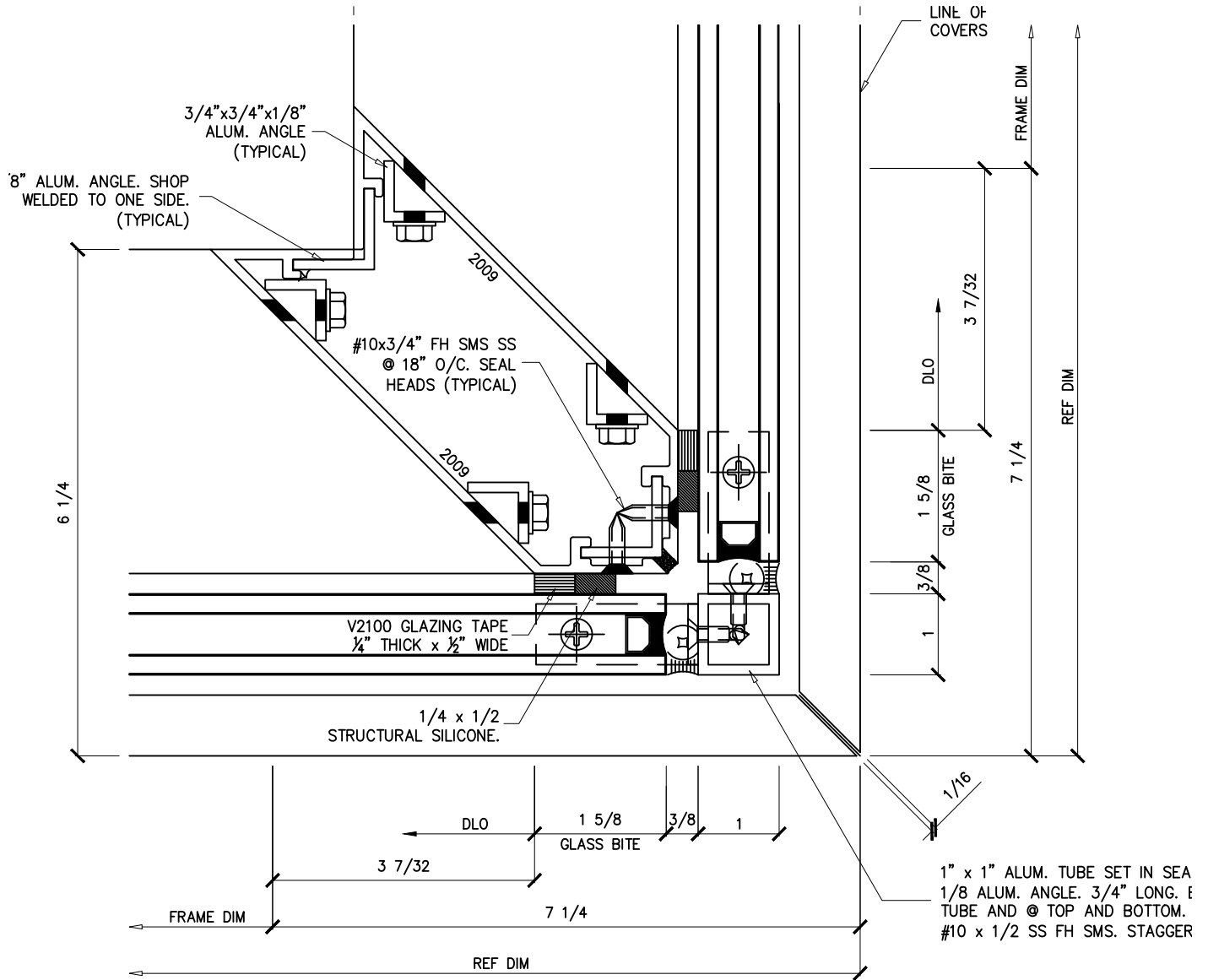
[Back to Typical Elevation](#)

2-1/2" x 6"  
Curtain Wall  
Series: 2506S  
Detail P



Drawing 1/2 Scale - For Custom Size Drawing Contact Graham

Note: Consult Technical Services At Factory For Sealing Procedures.



(P) Structurally Glazed Outside Corner

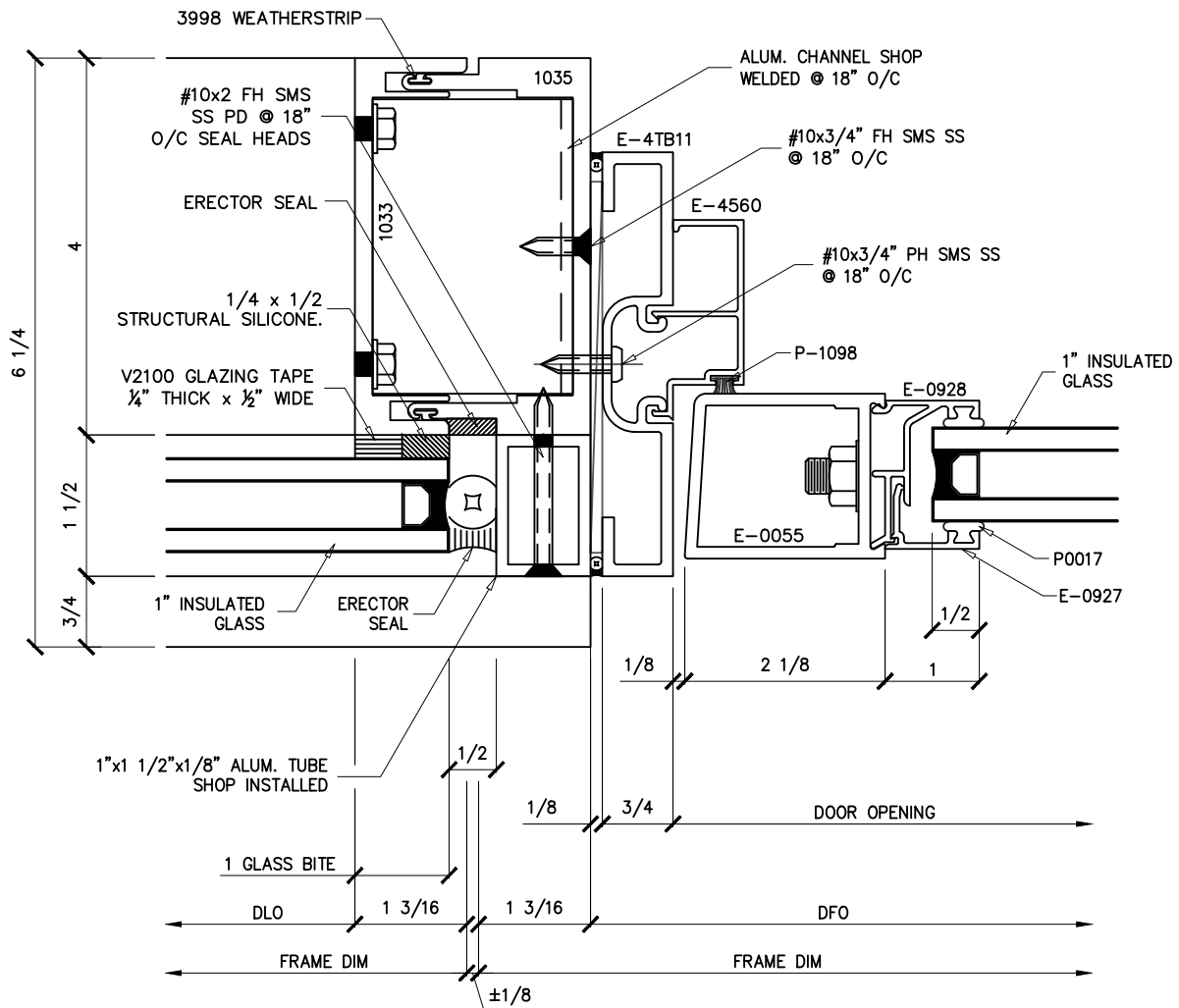
[Back to Typical Elevation](#)

2-1/2" x 6"  
 Curtain Wall  
 Series: 2506S  
 Detail Q



Drawing 1/2 Scale - For Custom Size Drawing Contact Graham

Note: Consult Technical Services At Factory For Sealing Procedures.



Q Structurally Glazed Door Jamb

[Back to Typical Elevation](#)