

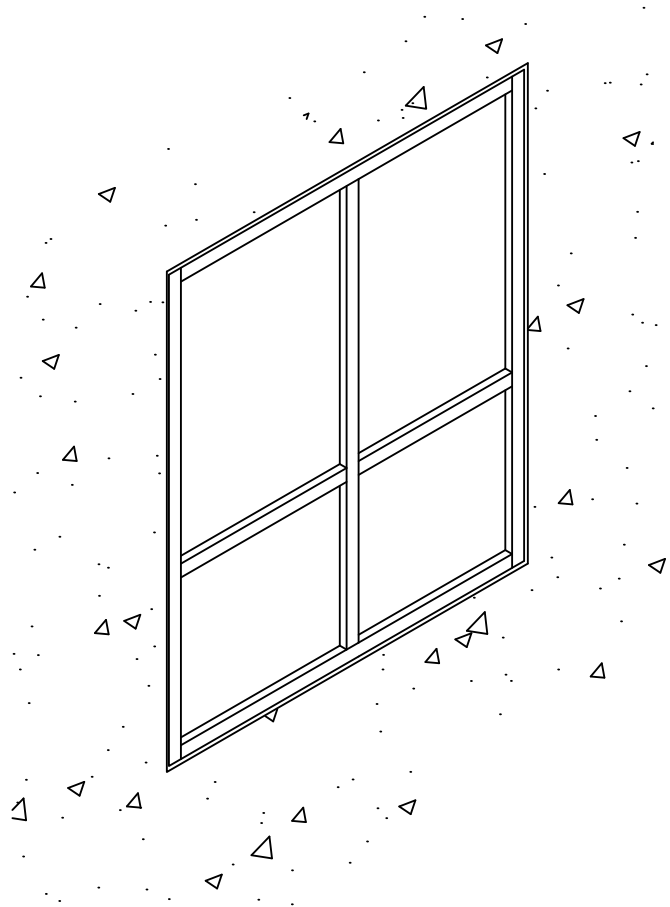
2" x 4-1/2"
Fixed Window
Series: 450T



Product Description

Drawing Not To Scale – For Custom Size Drawing Contact Graham

Note: Consult Technical Services At Factory For Sealing Procedures.



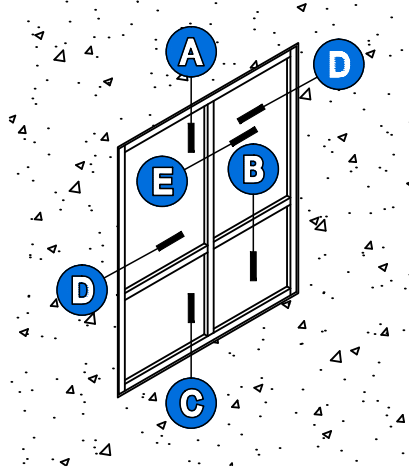
Graham 450T series window is an inside glazed system designed for punched and strip window applications. The overall frame size is 2" wide and 4 1/2" deep. This series incorporates an interior removable glazing bead at the top of each lite that allows for interior glazing.

The 450T series is a thermal system which incorporates a poured and debridged thermal barrier. All frame connections are made with screw splines and all frame members are coped and sealed in our shop. This eliminates field installation of water diverters and joint plugs.

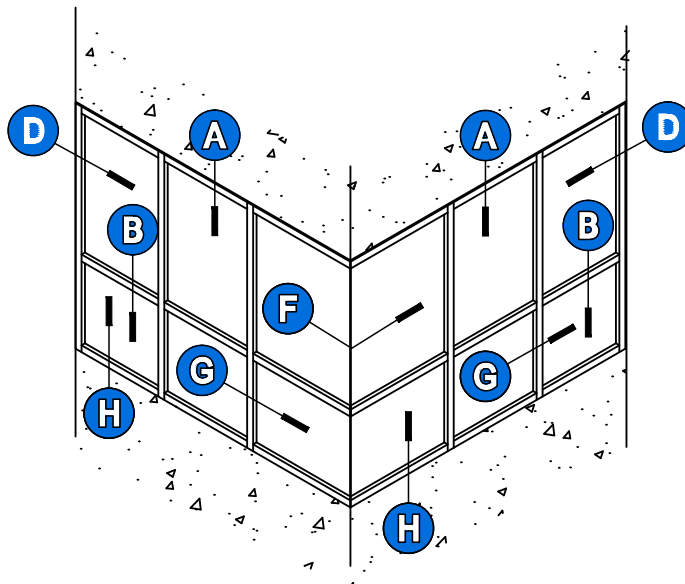
2" x 4-1/2"
Fixed Window
Series: 450T
Typical Elevation

Drawing Not To Scale – For Custom Size Drawing Contact Graham
Note: Consult Technical Services At Factory For Sealing Procedures.

(Click on the letters for more details)



Elevation of Typical Punched Opening

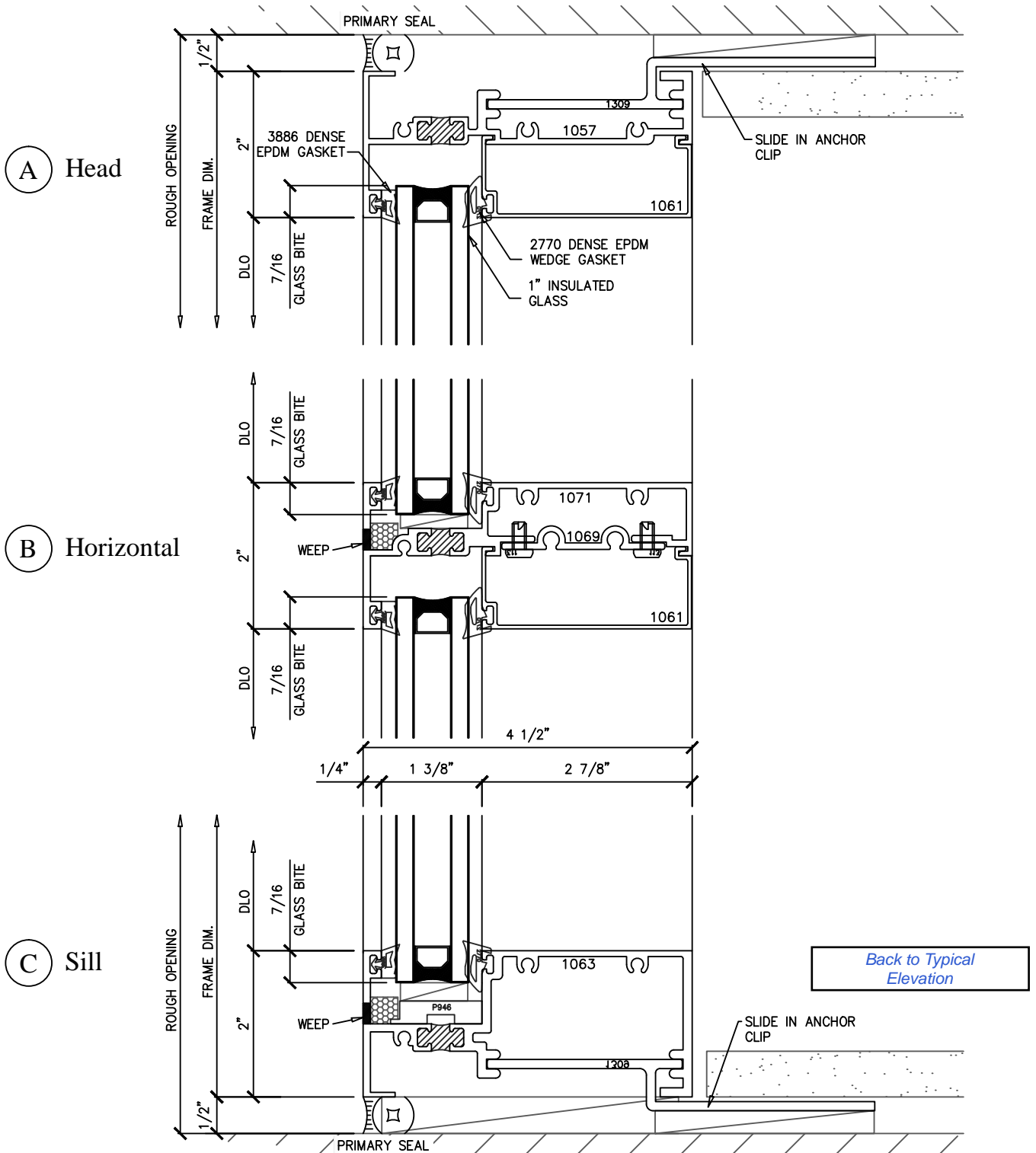


Elevation of Typical Strip Window with Corner

2" x 4-1/2"
 Fixed Window
 Series: 450T
 Details A, B, C

Drawing 1/2 Scale - For Custom Size Drawing Contact Graham

Note: Consult Technical Services At Factory For Sealing Procedures.

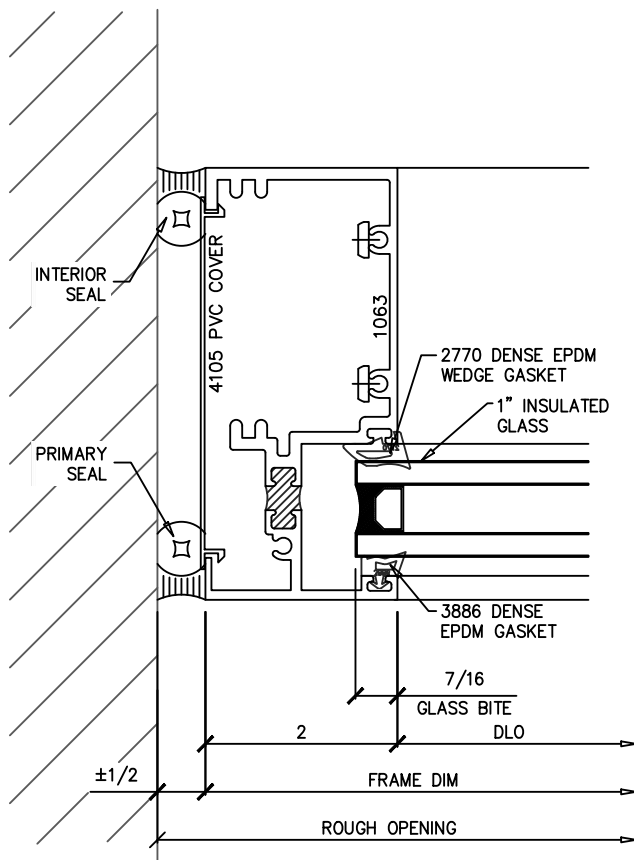


2" x 4-1/2"
 Fixed Window
 Series: 450T
 Details D, E

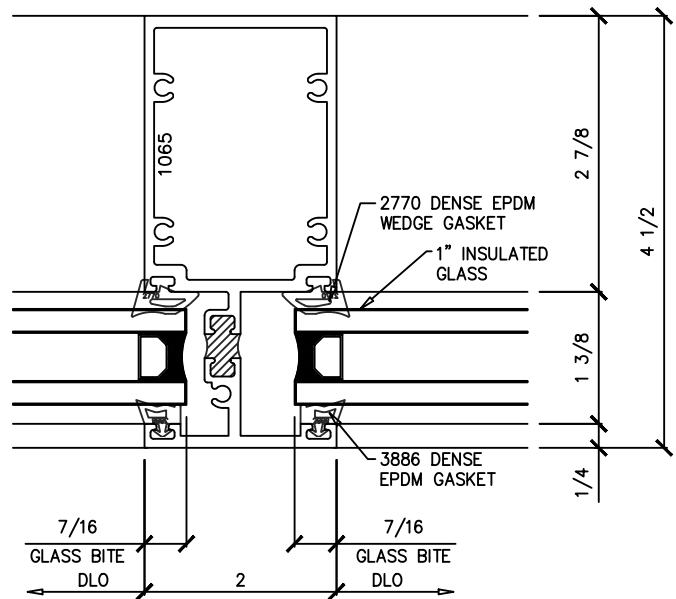


Drawing 1/2 Scale - For Custom Size Drawing Contact Graham

Note: Consult Technical Services At Factory For Sealing Procedures.



(D) Jamb



(E) Vertical Tube

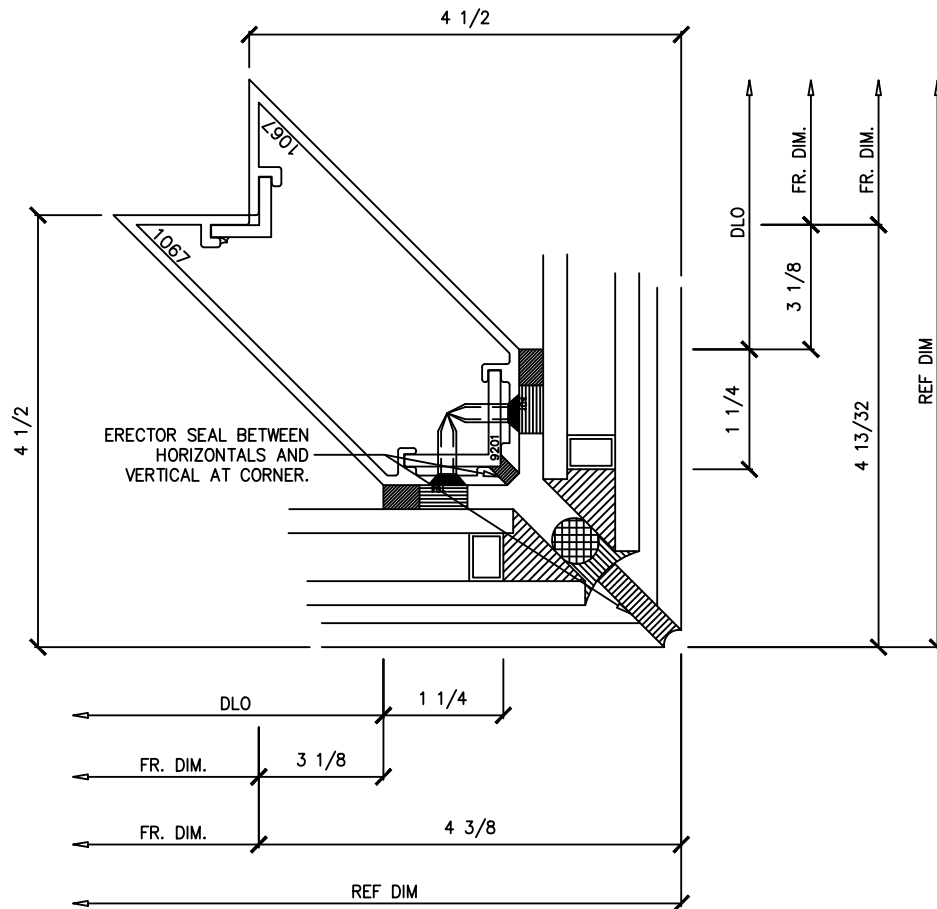
[Back to Typical Elevation](#)

2" x 4-1/2"
 Fixed Window
 Series: 450T
 Detail F



Drawing 1/2 Scale - For Custom Size Drawing Contact Graham

Note: Consult Technical Services At Factory For Sealing Procedures.



(F) Outside Corner

[Back to Typical Elevation](#)

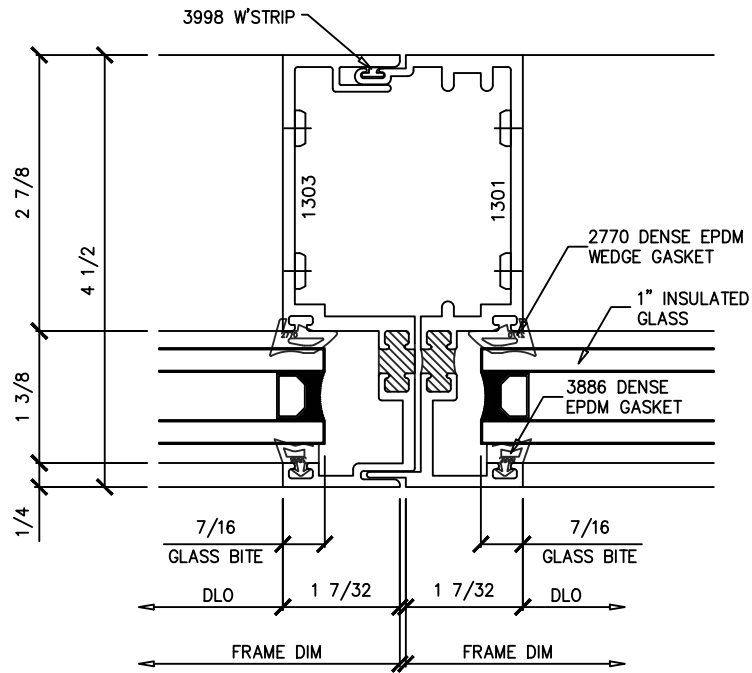
2" x 4-1/2"
 Fixed Window
 Series: 450T
 Details G, H



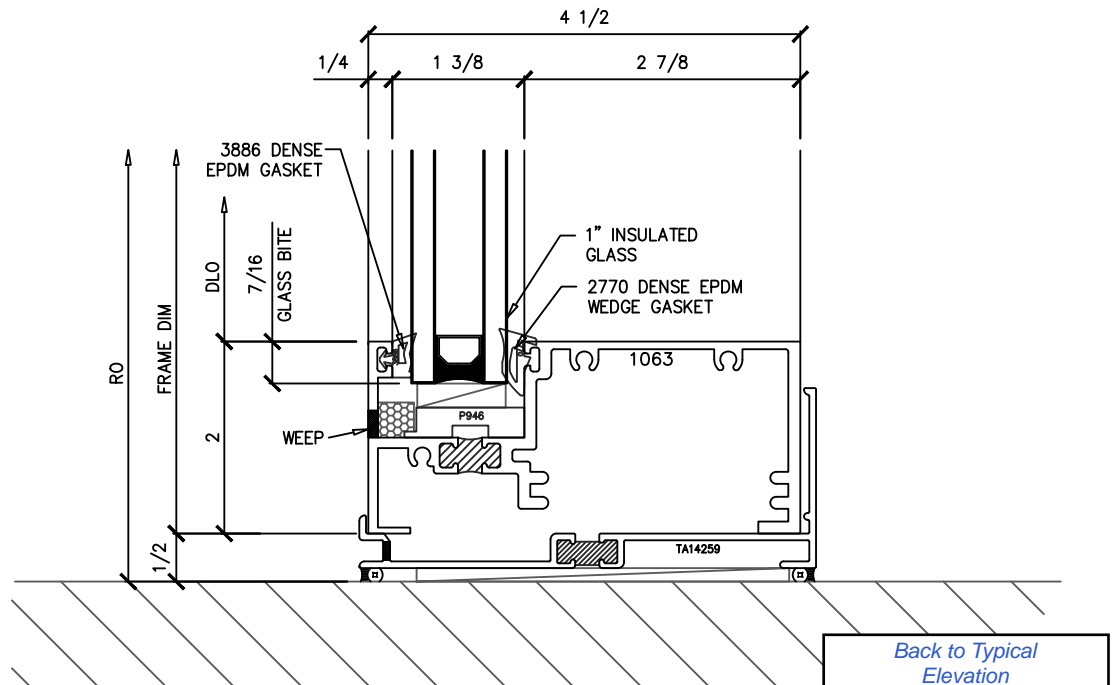
Drawing 1/2 Scale – For Custom Size Drawing Contact Graham

Note: Consult Technical Services At Factory For Sealing Procedures.

G Optional Vertical Stack



H Optional Sill



[Back to Typical Elevation](#)