

6500 SERIES DATA SHEET

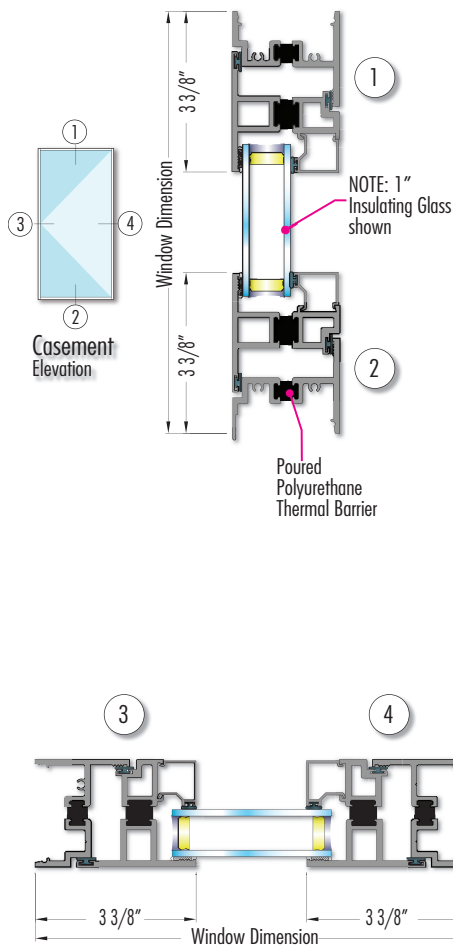
TYPE	AAMA RATING & TEST SIZE	AIR (cfm/ft ² at 50 mph)	WATER (psf)	DESIGN PRESSURE (psf)	STRUCTURAL OVERLOAD (psf)	U-VALUE (BTU/hr/ft ² /°F) ¹	CRF	STC	OITC
CASEMENT	C-HC80 42 x 66	0.04	12	80.20	120.30	0.48 – 0.63	54	37 - 43	29 - 34
	AW-PG80 42 x 66	0.03							
PROJECTED	AP-HC90 66 x 42	0.01	12	90.23	135.34	0.40 – 0.59	54	37 - 43	29 - 34
	AW-PG90 66 x 42								

¹U-values will vary depending upon glazing selected

STANDARD PRODUCT DETAILS SHOWN

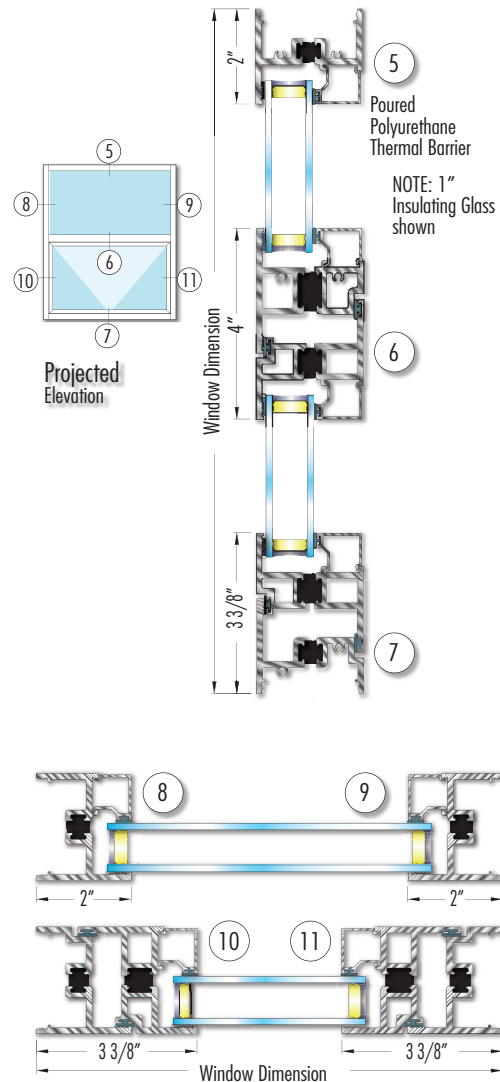
Details Are Not Shown to Scale

CASEMENT WINDOW



See website for other available configurations

PROJECTED WINDOW



Our products are tested to the standards of and certified by the American Architectural Manufacturer's Association and the National Fenestration Rating Council.



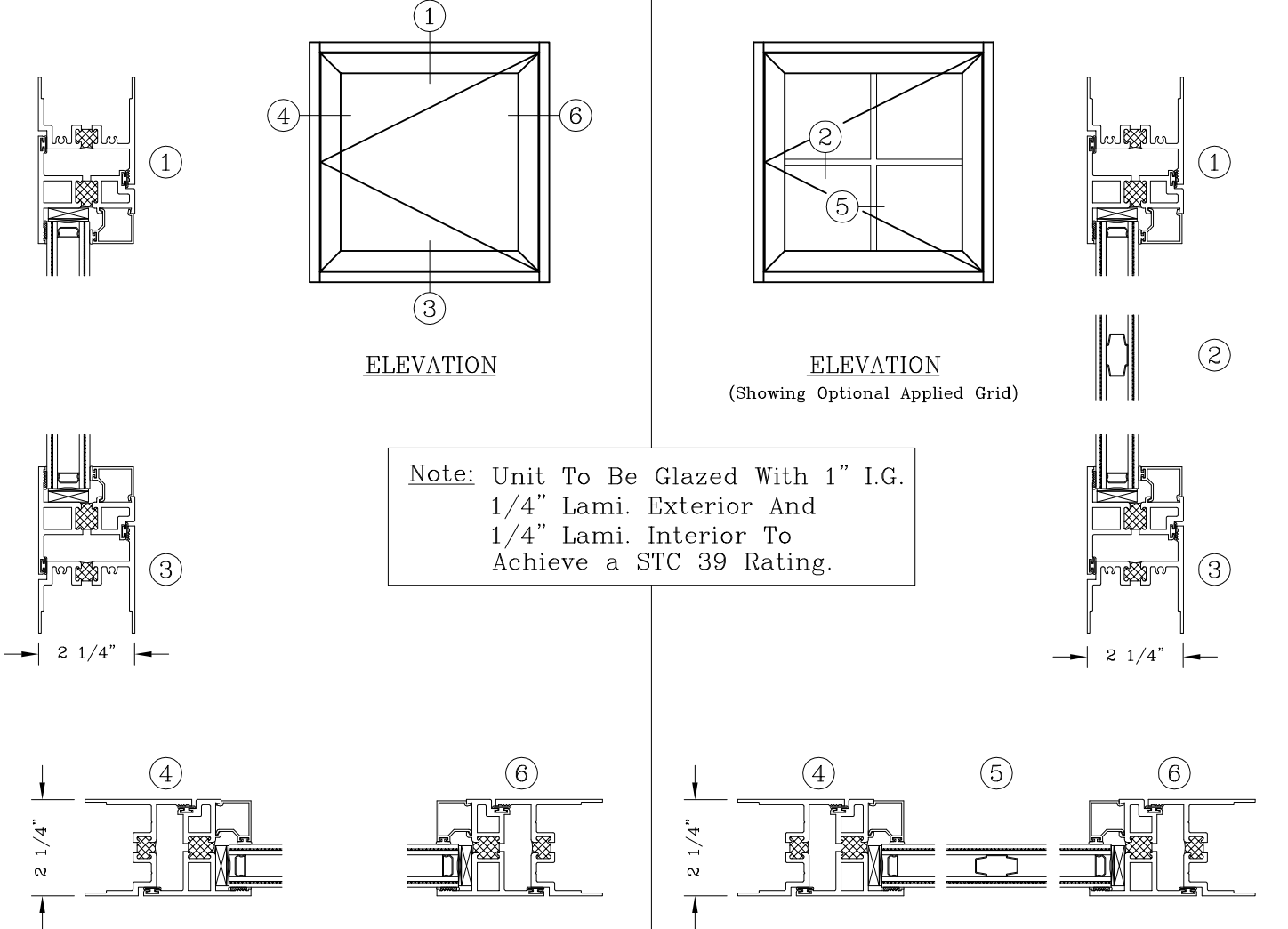
Acoustical – 2 1/4” Casement/Awning



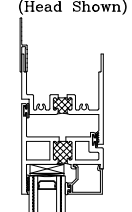
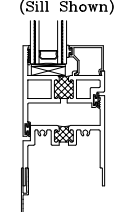
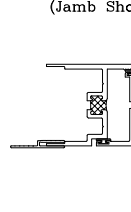
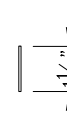
Series: ACU6500 Manufacturing Code: ACU65

Drawing 1/4 Scale – For Custom Size Drawing Contact Graham

Note: Sealant Not Shown On Details. Consult Technical Services At Factory For Sealing Procedures.



Note: Unit To Be Glazed With 1” I.G.
1/4” Lami. Exterior And
1/4” Lami. Interior To
Achieve a STC 39 Rating.

<p>Panning – Optional (Head Shown)</p> 	<p>Panning – Optional (Sill Shown)</p> 	<p>Panning – Optional (Jamb Shown)</p> 	<p>Trim – Optional (Interior Tape Applied) –Aluminum–</p> 	<p><u>Screen Material</u> Standard: Fiberglass Charcoal Mesh Optional: Aluminum</p>
<p><u>Size Limits</u> Casement: 18 1/4” by 19 3/4” Minimum: 48” by 72” Maximum: Awning: Minimum: 19 3/4” by 18 1/4” Maximum: 72” by 48” Maximum Sash Weight: 120 LBS.</p>	<p><u>Color Options</u> *Contains Kynar Graham Brown: PS2-BW *PF2-BW Colonial White: PS1-CW *PF1-CW Graham White: PS1-WH *PF1-WH Graham Silver: PS8-ABP PS8-ABP Sahara Sand: PS2-SA *PF2-SA Note: For Colors Not Listed, A Graham Color Code Or UC# Is Required. Clear Coat, Exotic Colors, Metallic & Anodized Not Included.</p>	<p><u>Glazing Options</u> Annealed or Tempered Glass Clear Grey or Bronze Tint Clear Laminated (Safety) Obscure Pattern #62 Low-E Note: Glazing May Be Limited To Meet Sound Transmission Specifications</p>	<p><u>Clear Opening</u> Width = Unit Width – 5 3/4” Height = Unit Height – 5”</p>	

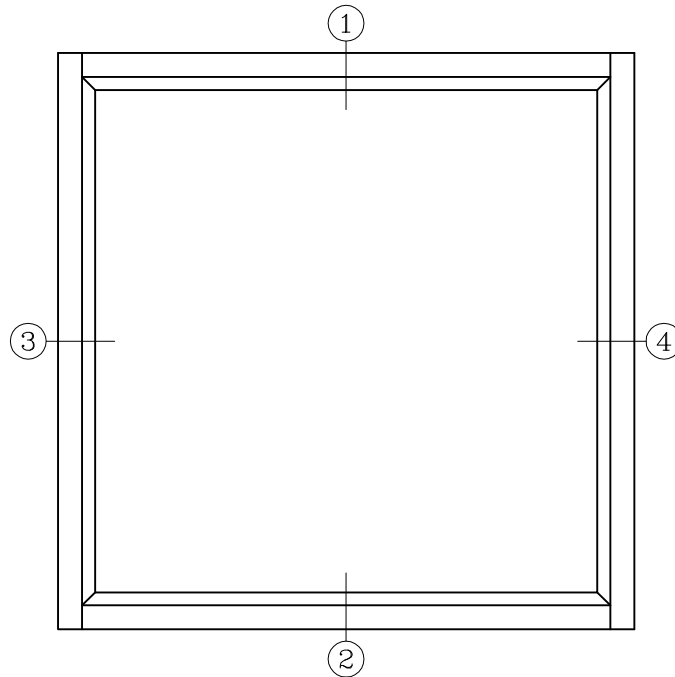
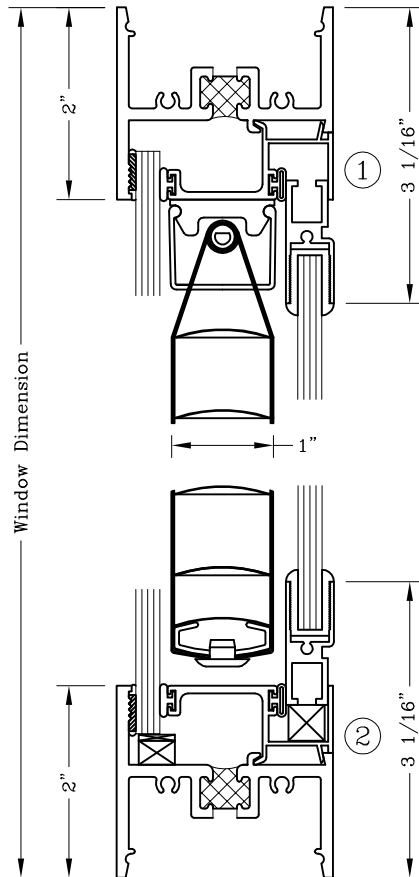
Acoustical – 2 1/4” Fixed/Lift-In Guardian



Series: ACU6500 Manufacturing Code: ACU65A

Drawing 1/2 Scale – For Custom Size Drawing Contact Graham

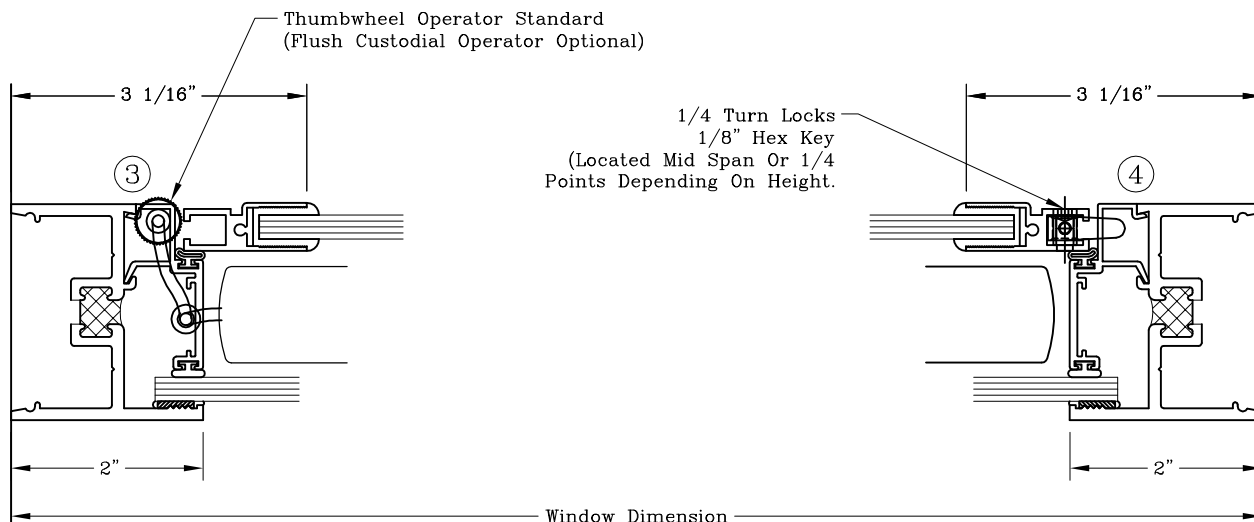
Note: Sealant Not Shown On Details. Consult Technical Services At Factory For Sealing Procedures.
Details Shown Have .125 Walled Extrusions, Glazing Option Also Valid On .062 Walled Extrusions.



ELEVATION

NOTE: Glazing Option Shown On Fixed Window
Glazing Detail Is Similar For Operable Sash

Optional 1” Blind Shown



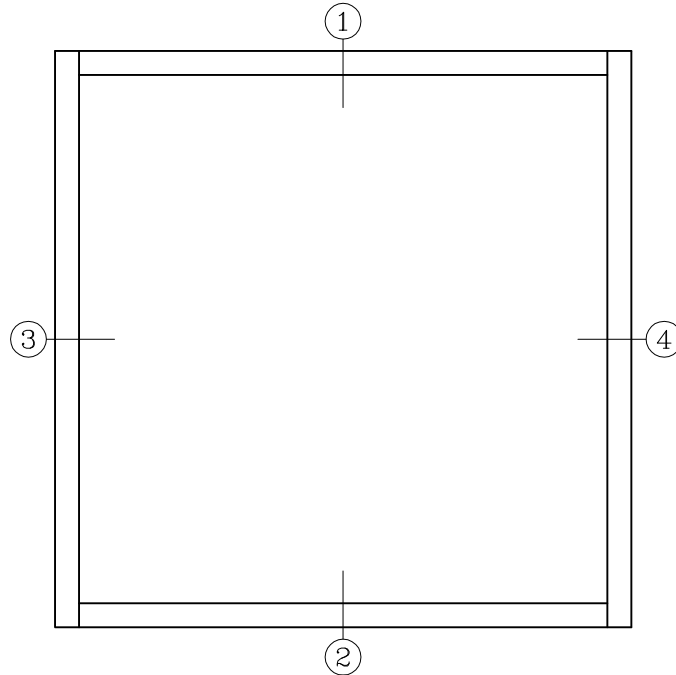
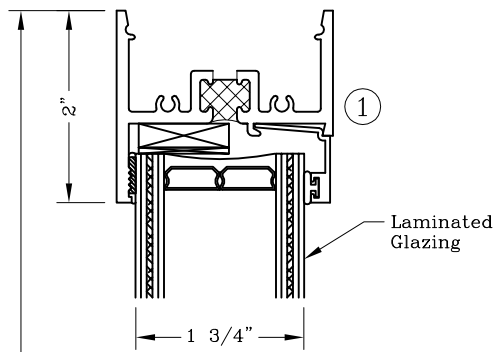
Acoustical – 2 1/4” Fixed



Series: ACU6500 Manufacturing Code: ACU65B

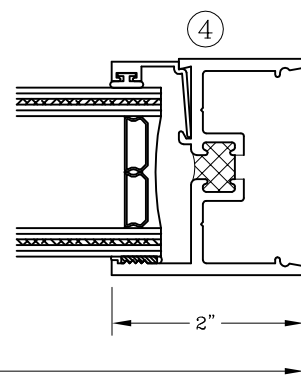
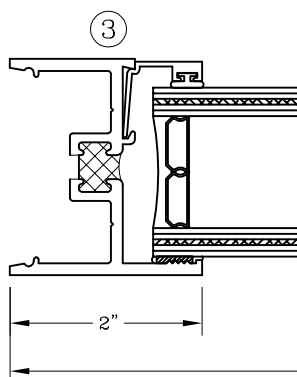
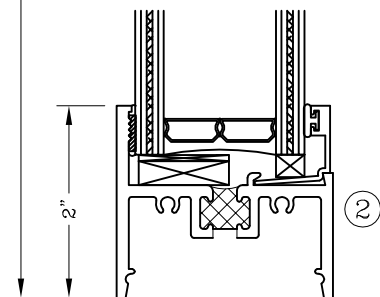
Drawing 1/2 Scale – For Custom Size Drawing Contact Graham

Note: Sealant Not Shown On Details. Consult Technical Services At Factory For Sealing Procedures.
Details Shown Have .125 Walled Extrusions, Glazing Option Also Valid On .062 Walled Extrusions.



ELEVATION

Note: Unit To Be Glazed With 1 1/2” I.G.
1/4” Lami. Exterior And
1/4” Lami. Interior To
Achieve a STC 41 Rating.



Window Dimension

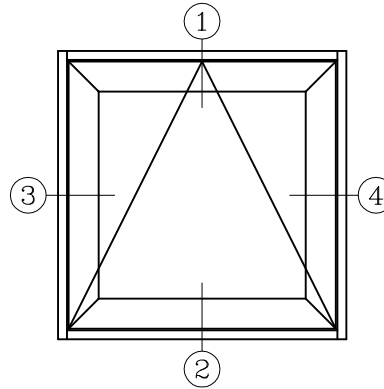
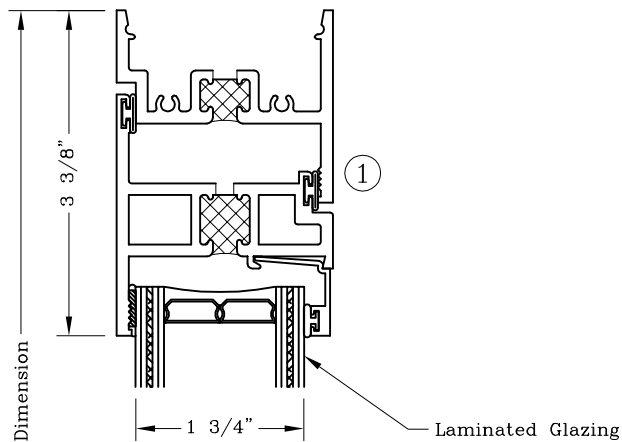
Acoustical – 2 1/4” Projected



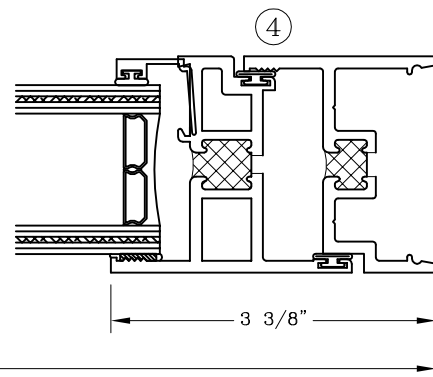
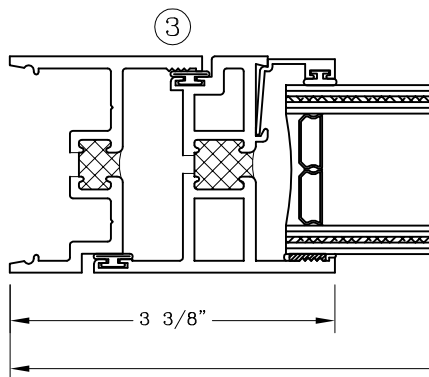
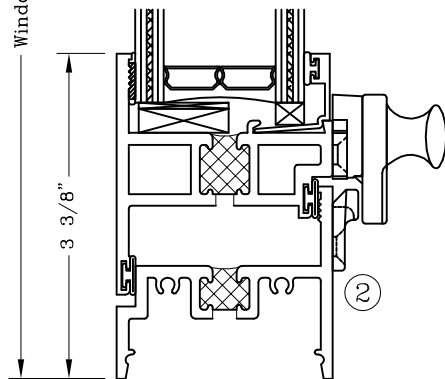
Series: ACU6500 Manufacturing Code: ACU65C

Drawing 1/2 Scale – For Custom Size Drawing Contact Graham

Note: Sealant Not Shown On Details. Consult Technical Services At Factory For Sealing Procedures.
Details Shown Have .125 Walled Extrusions, Glazing Option Also Valid On .062 Walled Extrusions.



ELEVATION



Note: Dashed Lines Represent Inswing Vented Units Solid Lines Represent
Outswing Vented Units; Lines Converge At Hinge Side Of Vent

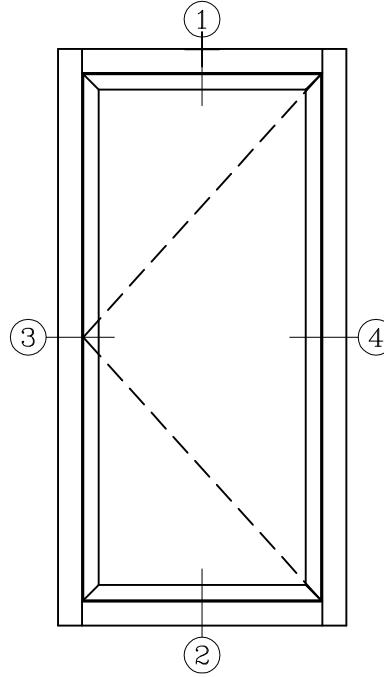
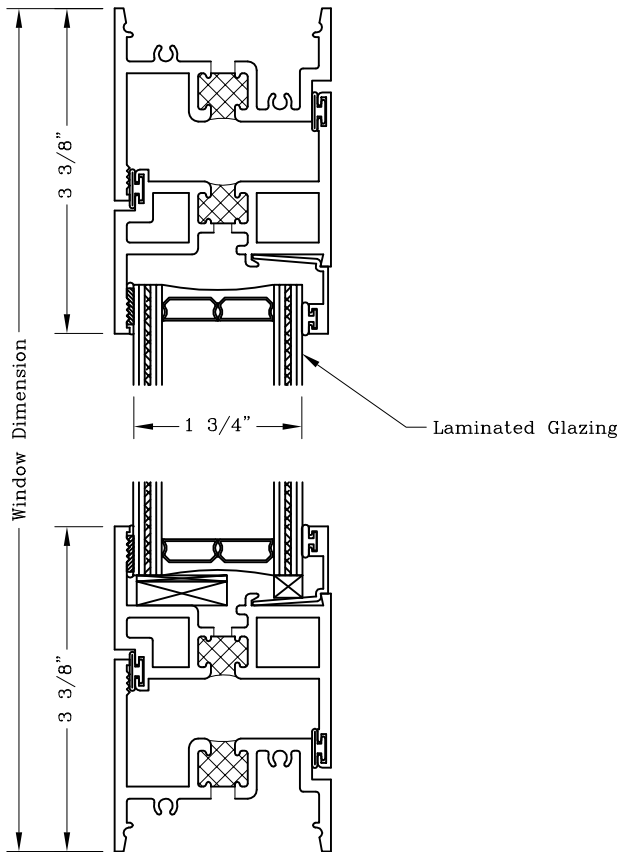
Acoustical – 2 1/4” Casement Inswing



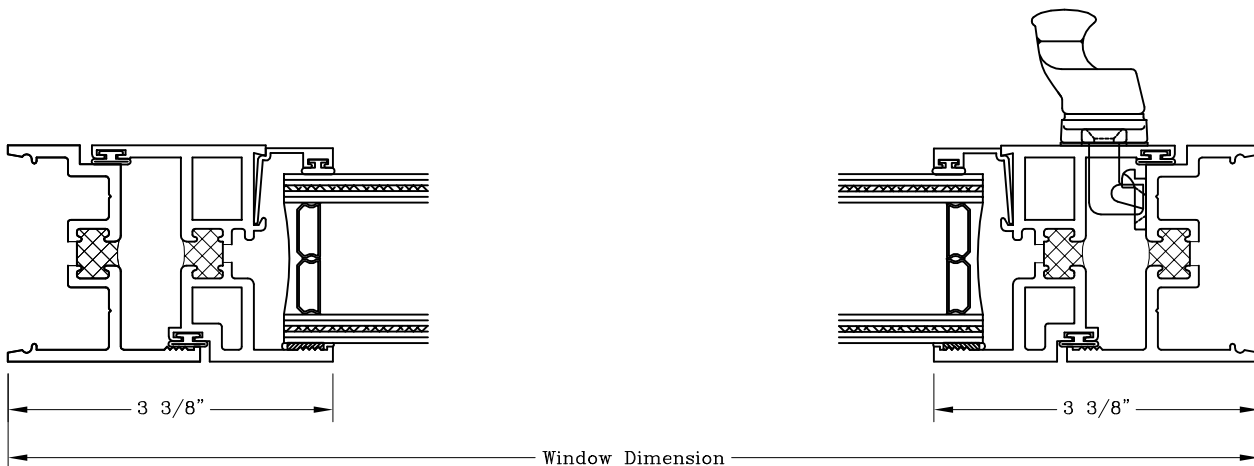
Series: ACU6500 Manufacturing Code: ACU65D

Drawing 1/2 Scale – For Custom Size Drawing Contact Graham

Note: Sealant Not Shown On Details. Consult Technical Services At Factory For Sealing Procedures.
Details Shown Have .125 Walled Extrusions, Glazing Option Also Valid On .062 Walled Extrusions.



ELEVATION



Note: Dashed Lines Represent Inswing Vented Units Solid Lines Represent
Outswing Vented Units; Lines Converge At Hinge Side Of Vent