

Projected - 2 1/4"

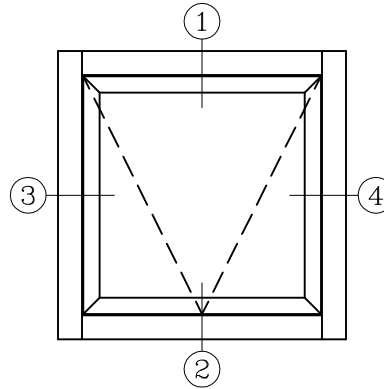
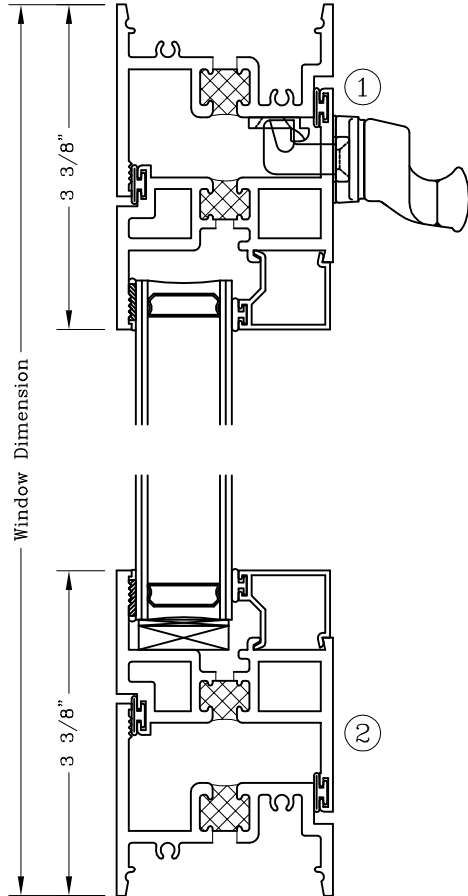


Series: 6500

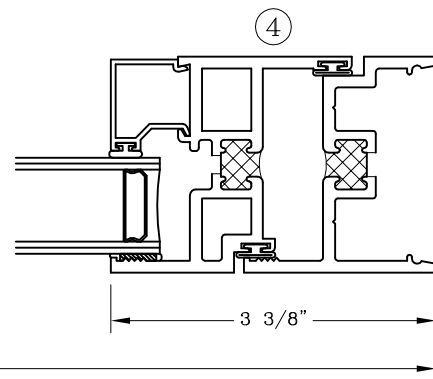
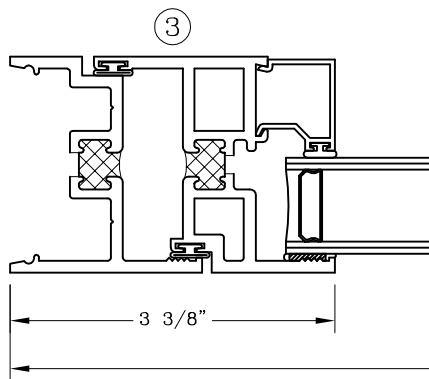
Manufacturing Code: 6501

Drawing 1/2 Scale - For Custom Size Drawing Contact Graham

Note: Sealant Not Shown On Details. Consult Technical Services At Factory For Sealing Procedures.



ELEVATION



Note: Dashed Lines Represent Inswing Vented Units Solid Lines Represent Outswing Vented Units; Lines Converge At Hinge Side Of Vent

# Fixed/Projected - 2 1/4"

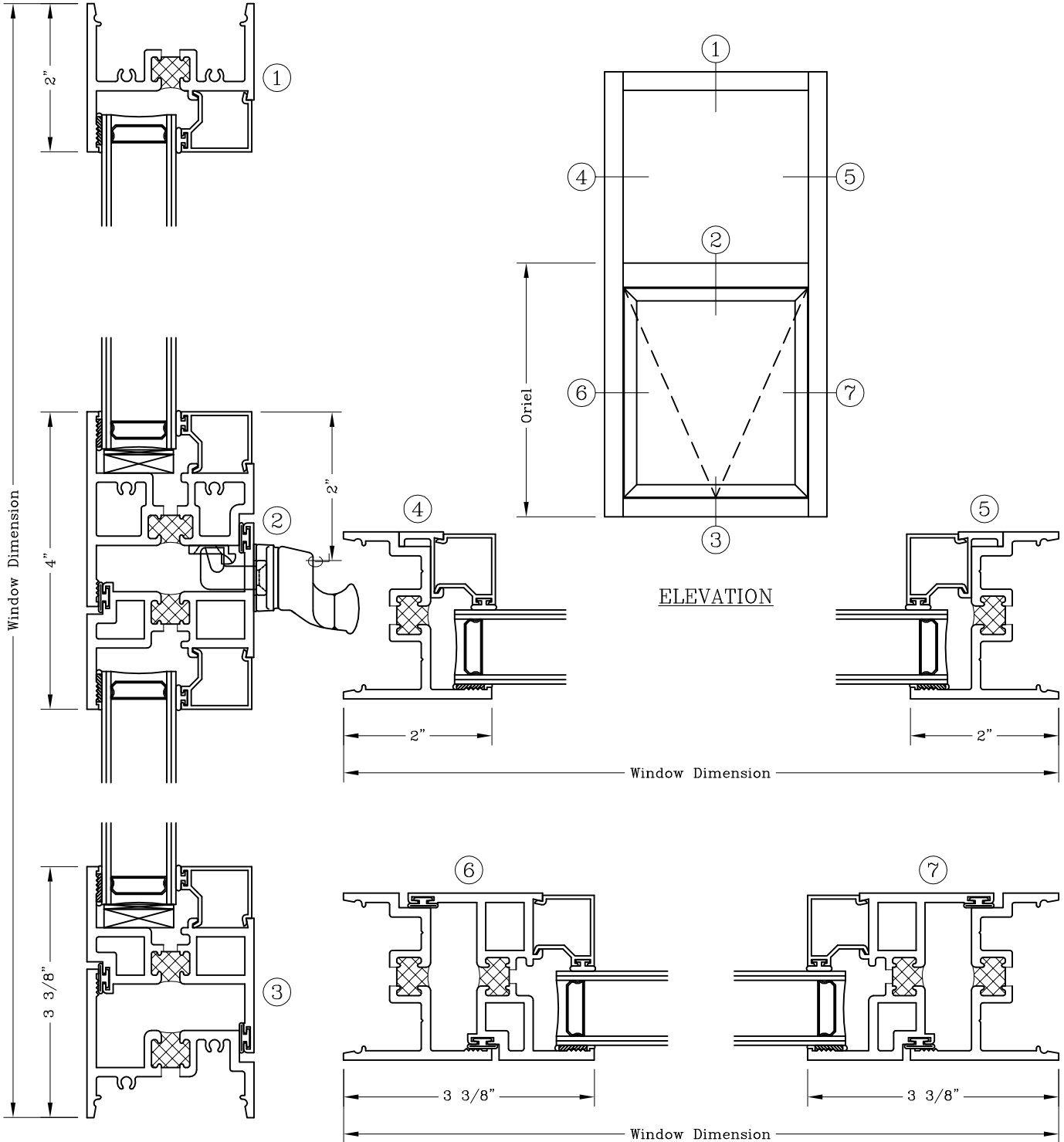


Series: 6500

Manufacturing Code: 6502

Drawing 1/2 Scale - For Custom Size Drawing Contact Graham

Note: Sealant Not Shown On Details. Consult Technical Services At Factory For Sealing Procedures.



Note: Dashed Lines Represent Inswing Vented Units Solid Lines Represent Outswing Vented Units; Lines Converge At Hinge Side Of Vent

Projected/Projected - 2 1/4"

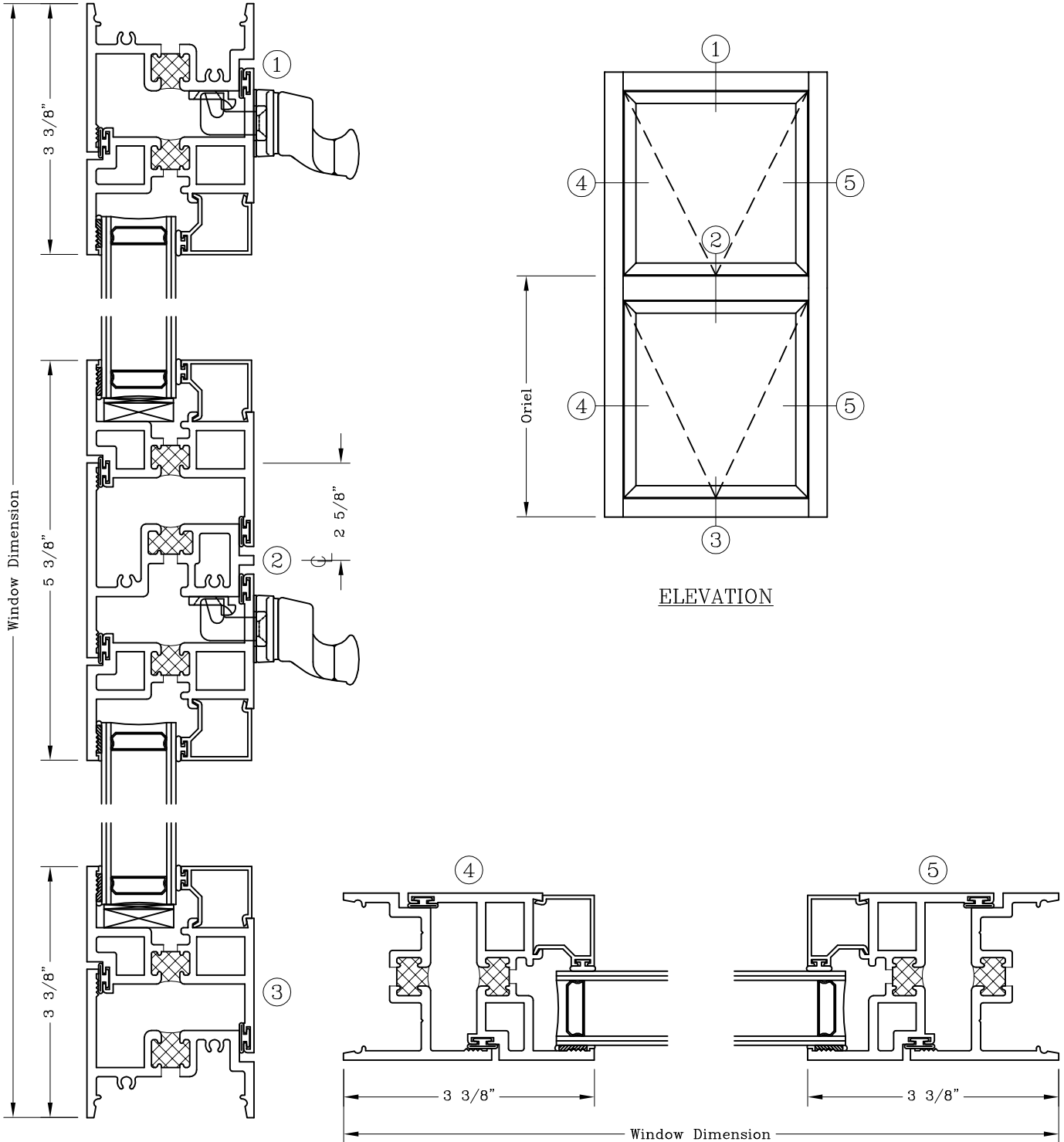


Series: 6500

Manufacturing Code: 6503

Drawing 1/2 Scale - For Custom Size Drawing Contact Graham

Note: Sealant Not Shown On Details. Consult Technical Services At Factory For Sealing Procedures.



Note: Dashed Lines Represent Inswing Vented Units Solid Lines Represent Outswing Vented Units; Lines Converge At Hinge Side Of Vent

# Casement - 2 1/4"

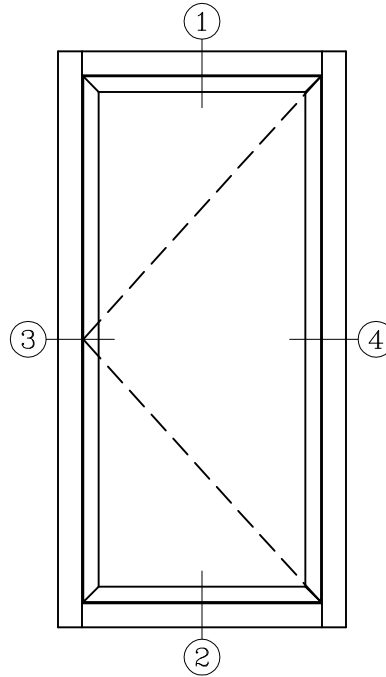
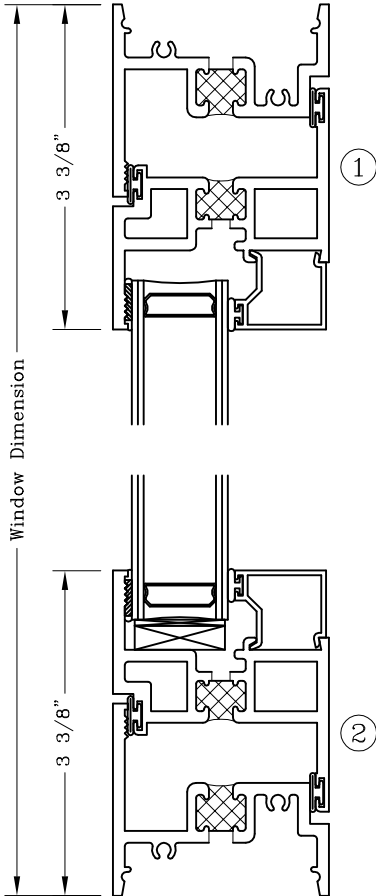


Series: 6500

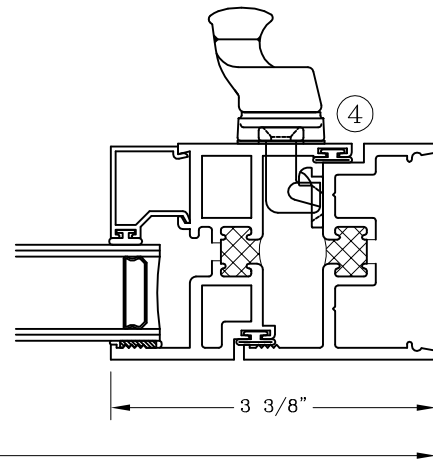
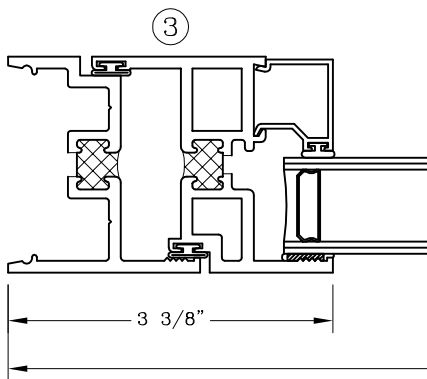
Manufacturing Code: 6504

Drawing 1/2 Scale - For Custom Size Drawing Contact Graham

Note: Sealant Not Shown On Details. Consult Technical Services At Factory For Sealing Procedures.



ELEVATION



Note: Dashed Lines Represent Inswing Vented Units Solid Lines Represent Outswing Vented Units; Lines Converge At Hinge Side Of Vent

# Fixed/Casement - 2 1/4"

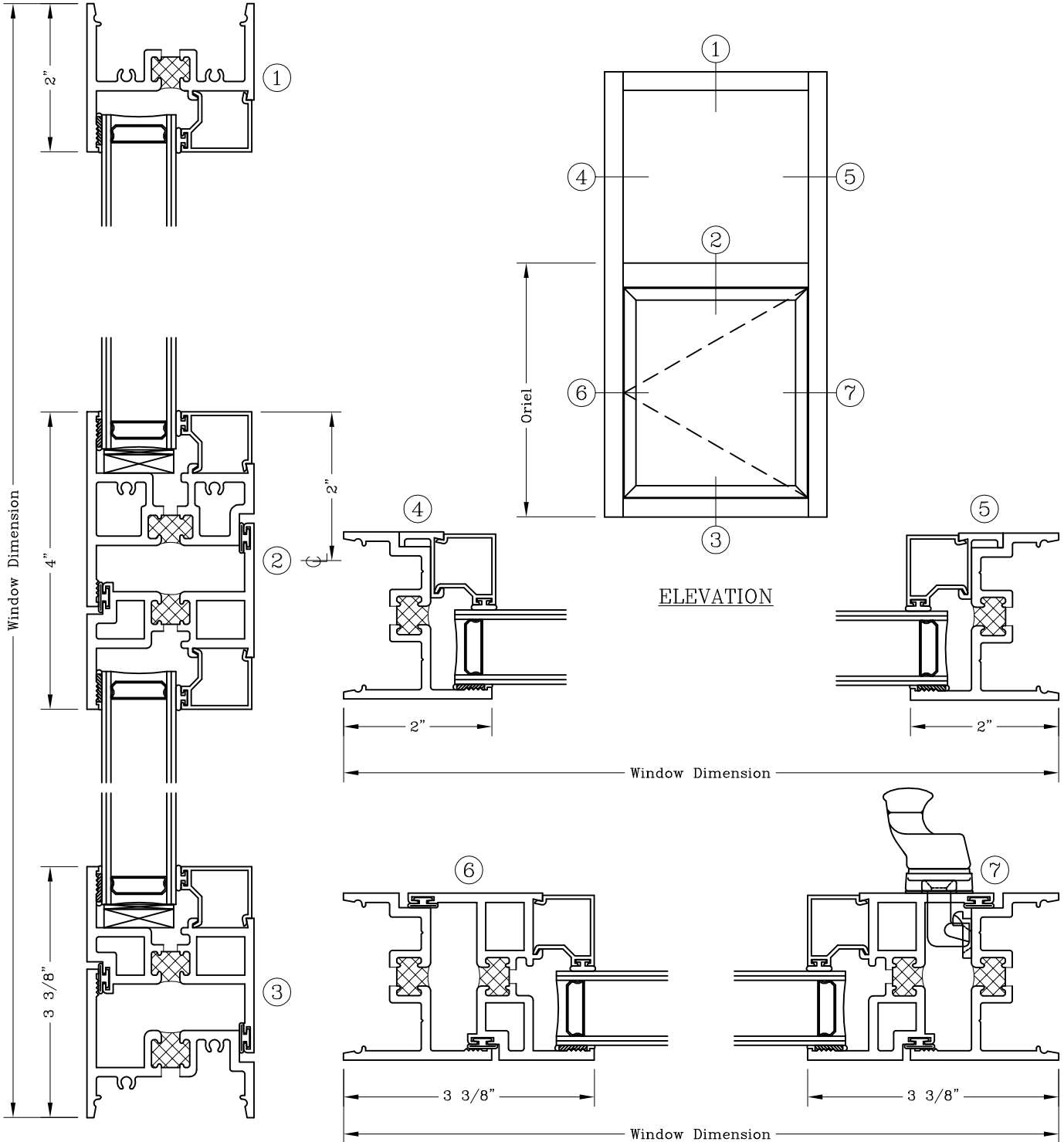


Series: 6500

Manufacturing Code: 6505

Drawing 1/2 Scale - For Custom Size Drawing Contact Graham

Note: Sealant Not Shown On Details. Consult Technical Services At Factory For Sealing Procedures.



Note: Dashed Lines Represent Inswing Vented Units Solid Lines Represent Outswing Vented Units; Lines Converge At Hinge Side Of Vent

Projected - 2 1/4"

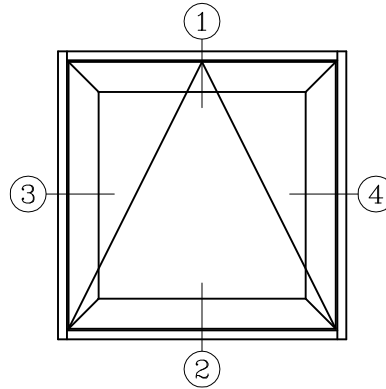
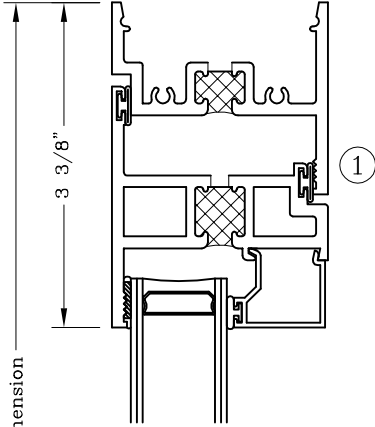


Series: 6500

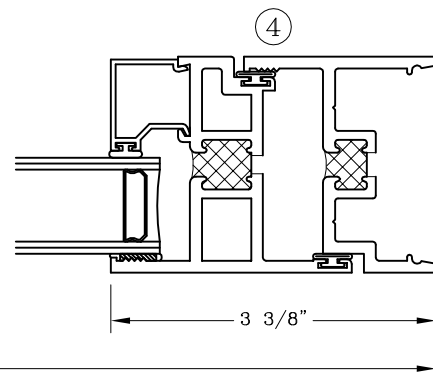
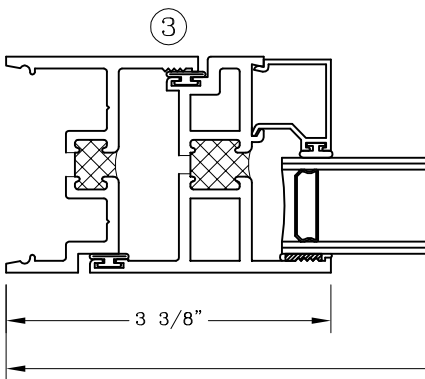
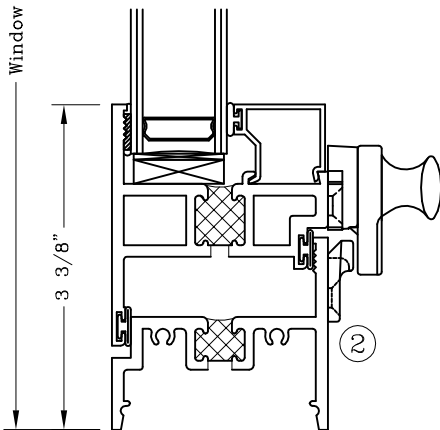
Manufacturing Code: 6506

Drawing 1/2 Scale - For Custom Size Drawing Contact Graham

Note: Sealant Not Shown On Details. Consult Technical Services At Factory For Sealing Procedures.



ELEVATION



Note: Dashed Lines Represent Inswing Vented Units Solid Lines Represent Outswing Vented Units; Lines Converge At Hinge Side Of Vent

Fixed/Projected - 2 1/4"

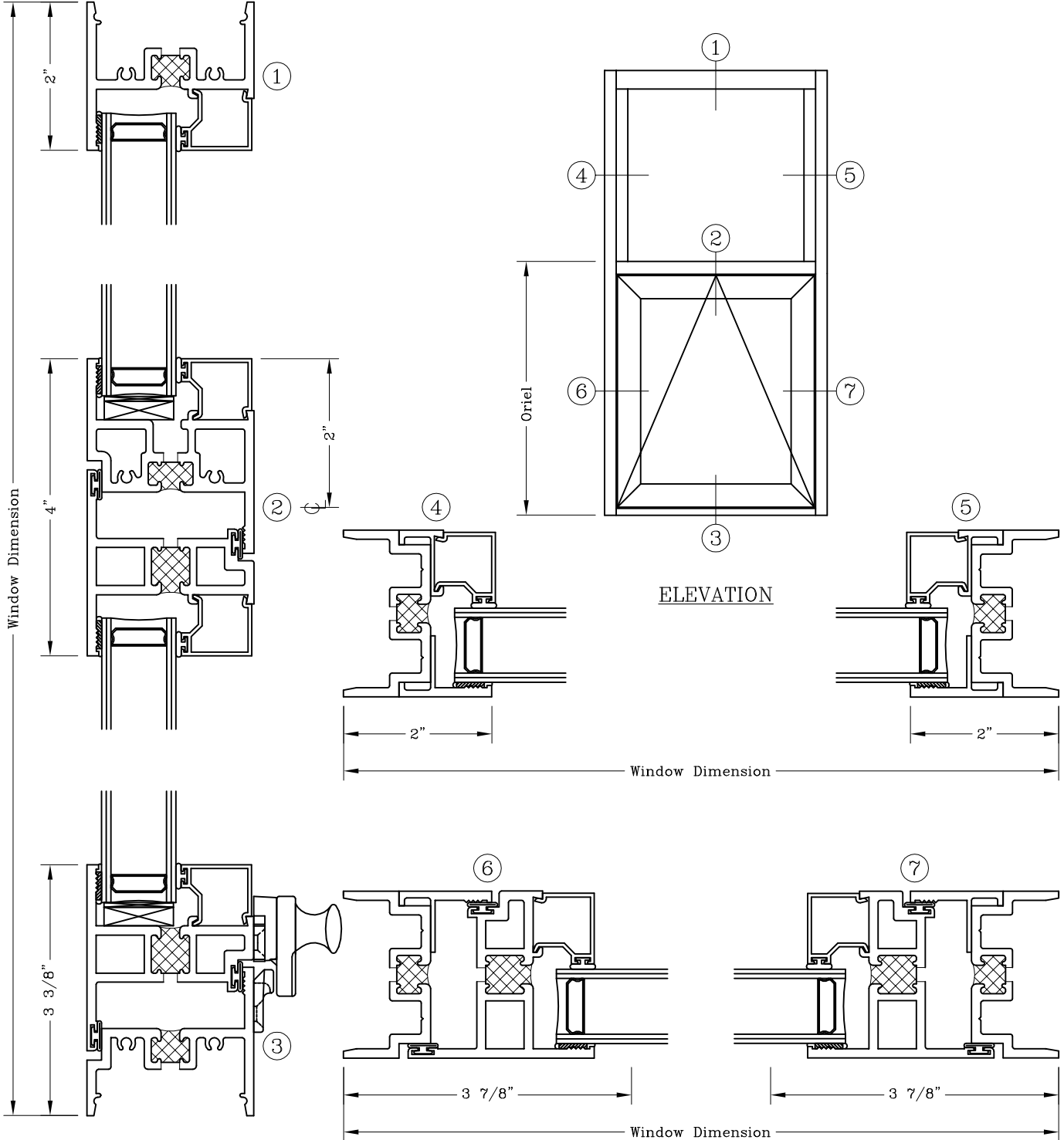


Series: 6500

Manufacturing Code: 6507

Drawing 1/2 Scale - For Custom Size Drawing Contact Graham

Note: Sealant Not Shown On Details. Consult Technical Services At Factory For Sealing Procedures.



Note: Dashed Lines Represent Inswing Vented Units Solid Lines Represent Outswing Vented Units; Lines Converge At Hinge Side Of Vent

Projected/Projected - 2 1/4"

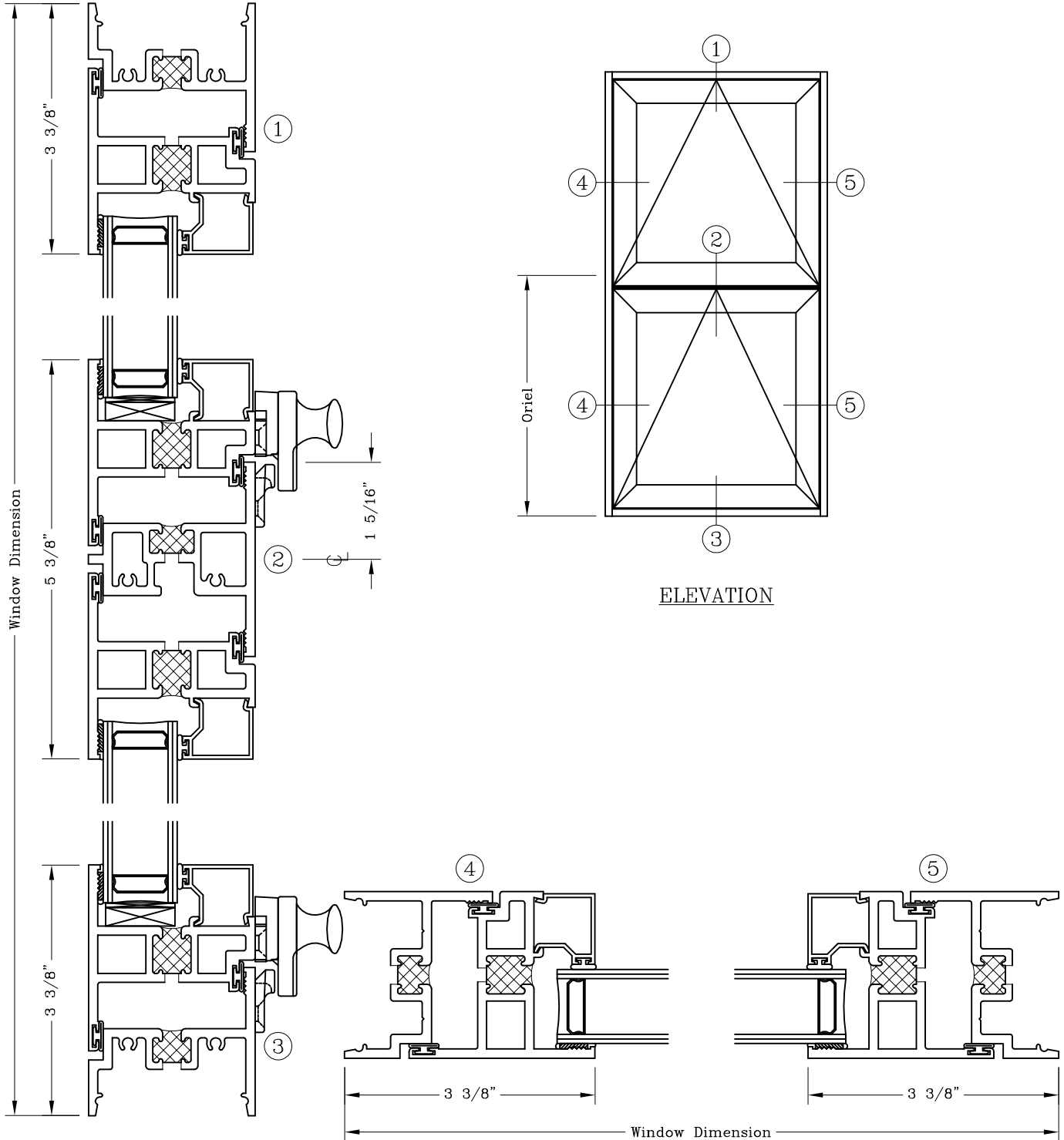


Series: 6500

Manufacturing Code: 6508

Drawing 1/2 Scale - For Custom Size Drawing Contact Graham

Note: Sealant Not Shown On Details. Consult Technical Services At Factory For Sealing Procedures.



Note: Dashed Lines Represent Inswing Vented Units Solid Lines Represent Outswing Vented Units; Lines Converge At Hinge Side Of Vent



# Casement - 2 1/4"

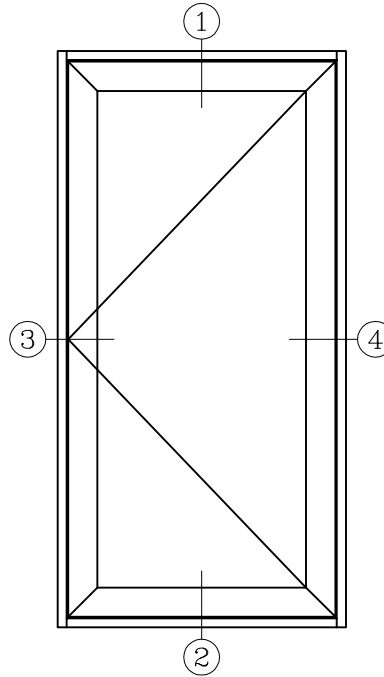
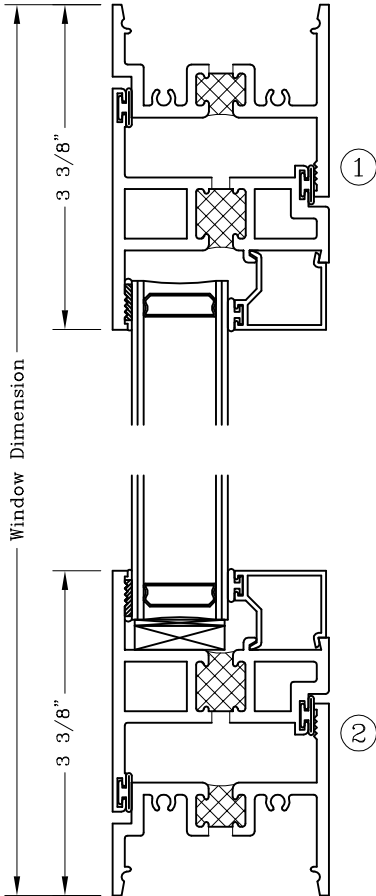


Series: 6500

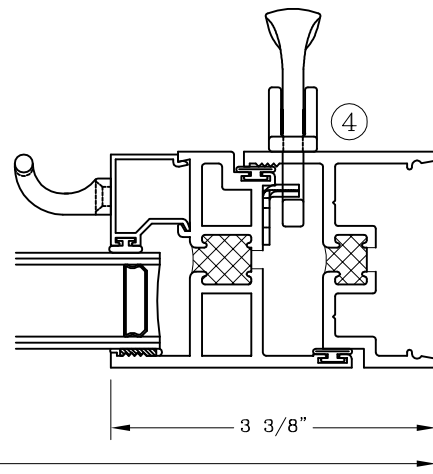
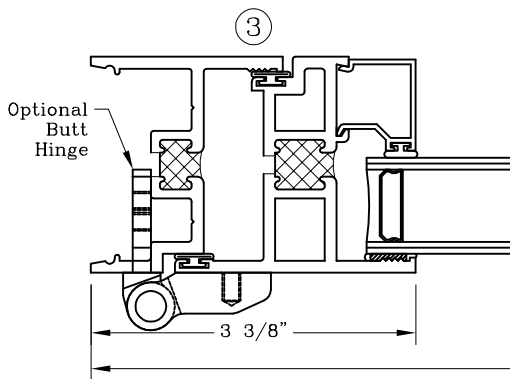
Manufacturing Code: 6509

Drawing 1/2 Scale - For Custom Size Drawing Contact Graham

Note: Sealant Not Shown On Details. Consult Technical Services At Factory For Sealing Procedures.



ELEVATION



Note: Dashed Lines Represent Inswing Vented Units Solid Lines Represent Outswing Vented Units; Lines Converge At Hinge Side Of Vent

# Fixed/Casement

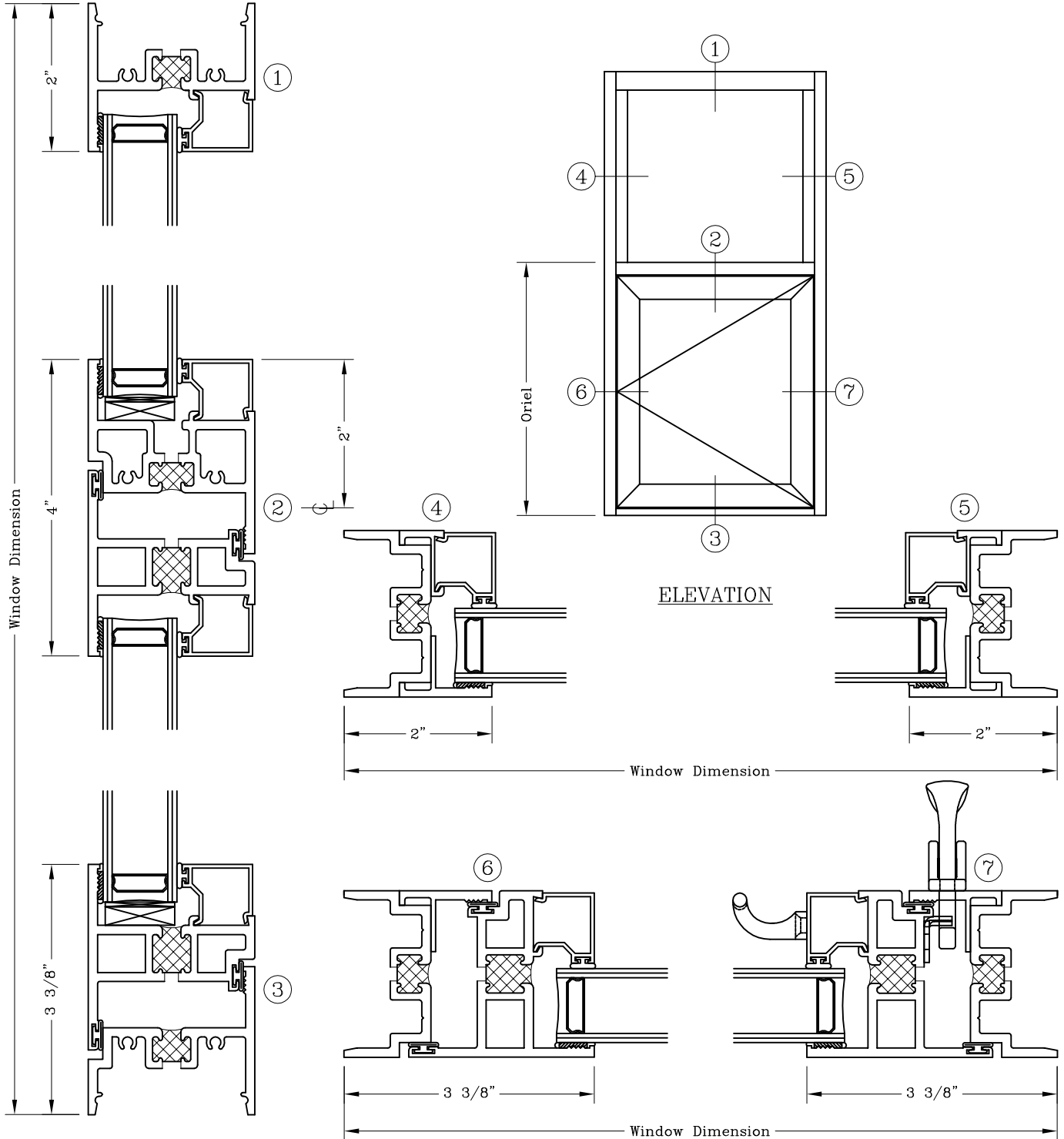


Series: 6500

Manufacturing Code: 6510

Drawing 1/2 Scale – For Custom Size Drawing Contact Graham

Note: Sealant Not Shown On Details. Consult Technical Services At Factory For Sealing Procedures.



Note: Dashed Lines Represent Inswing Vented Units Solid Lines Represent Outswing Vented Units; Lines Converge At Hinge Side Of Vent

Fixed - 2 1/4"

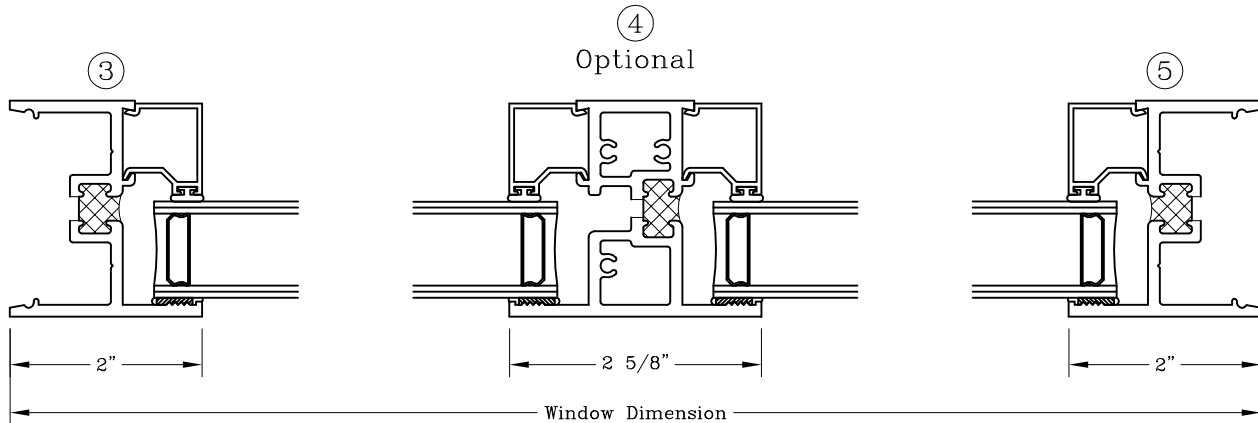
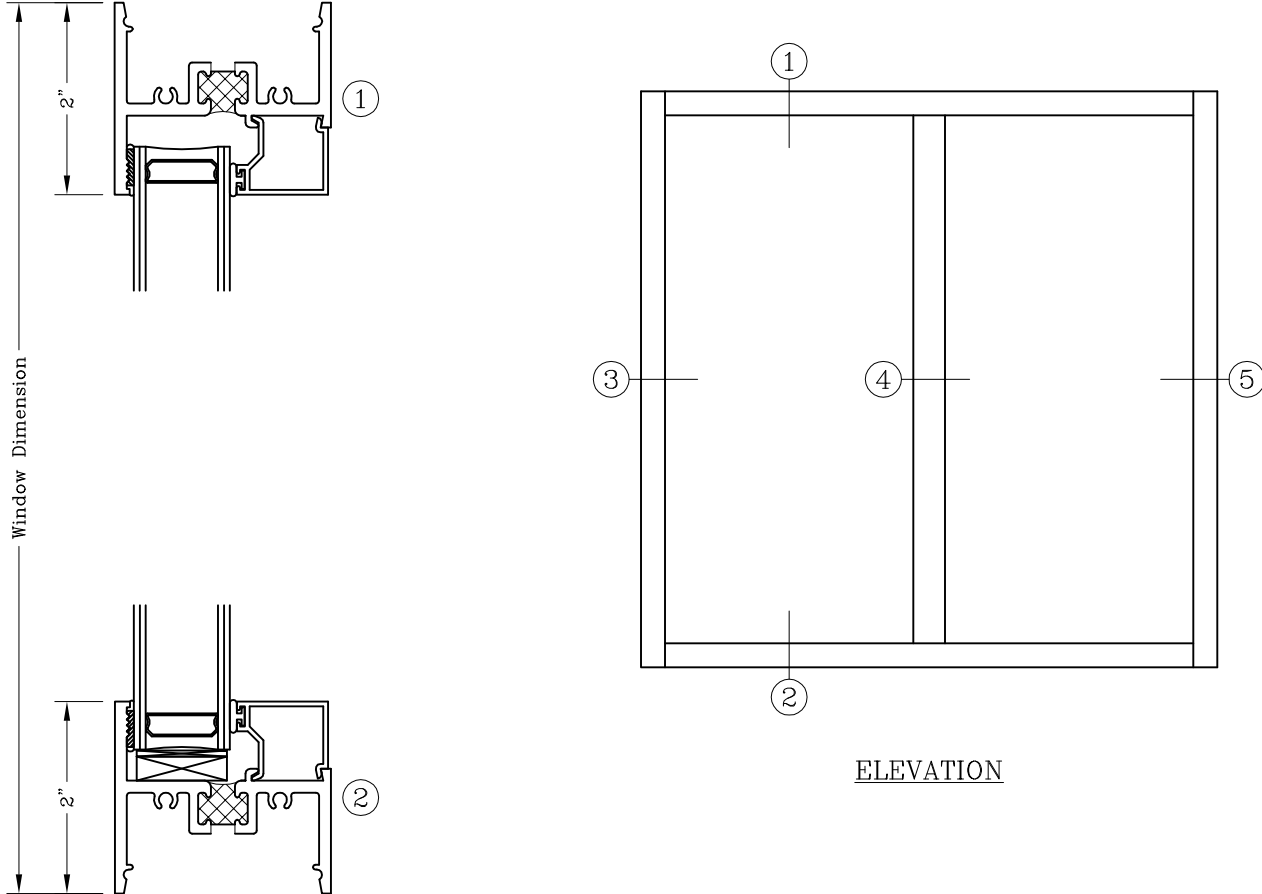


Series: 6500

Manufacturing Code: 6511

Drawing 1/2 Scale - For Custom Size Drawing Contact Graham

Note: Sealant Not Shown On Details. Consult Technical Services At Factory For Sealing Procedures.



Note: Dashed Lines Represent Inswing Vented Units Solid Lines Represent Outswing Vented Units; Lines Converge At Hinge Side Of Vent

Projected/Projected - 2 1/4"

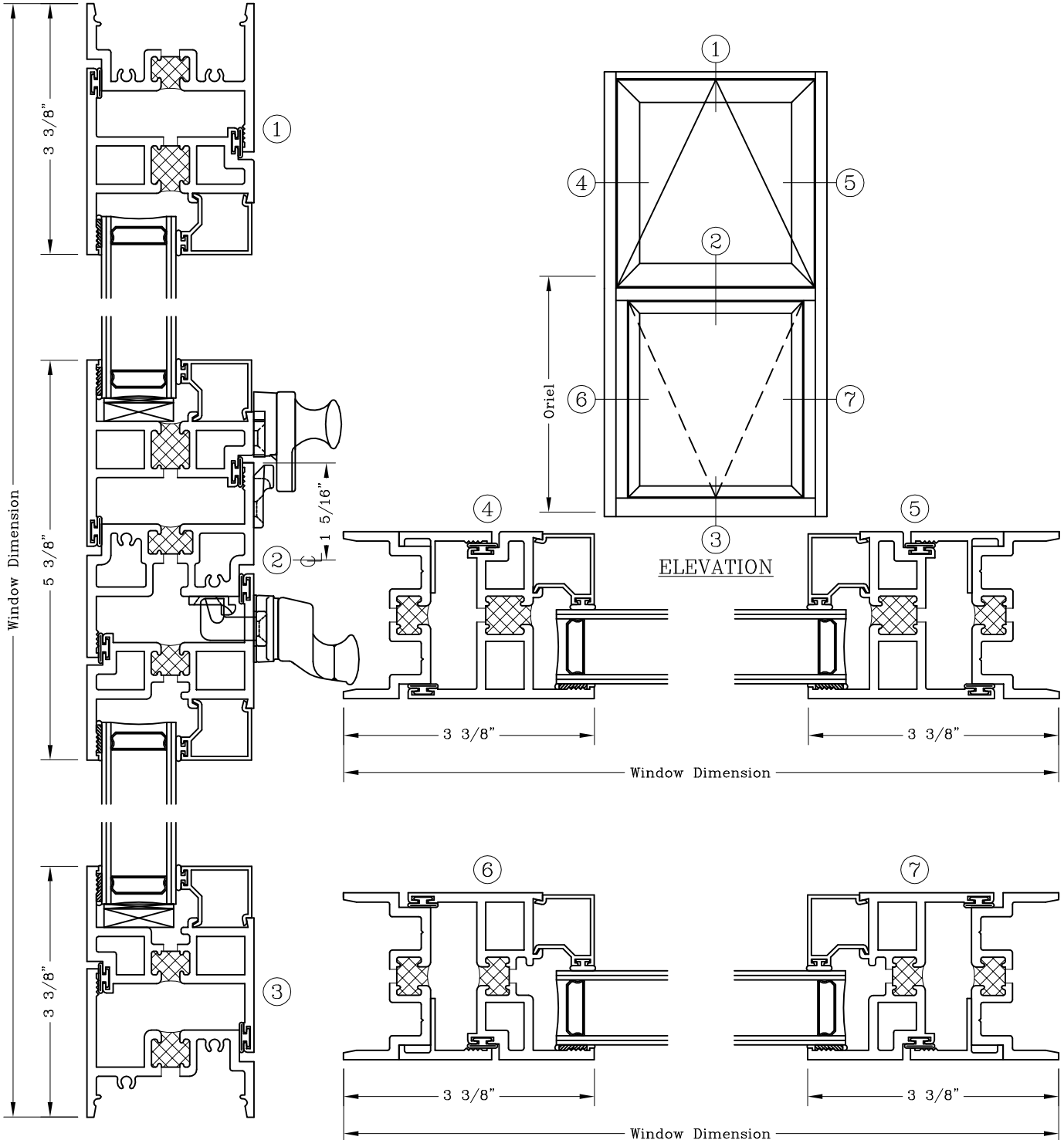


Series: 6500

Manufacturing Code: 6512

Drawing 1/2 Scale - For Custom Size Drawing Contact Graham

Note: Sealant Not Shown On Details. Consult Technical Services At Factory For Sealing Procedures.



Note: Dashed Lines Represent Inswing Vented Units Solid Lines Represent Outswing Vented Units; Lines Converge At Hinge Side Of Vent

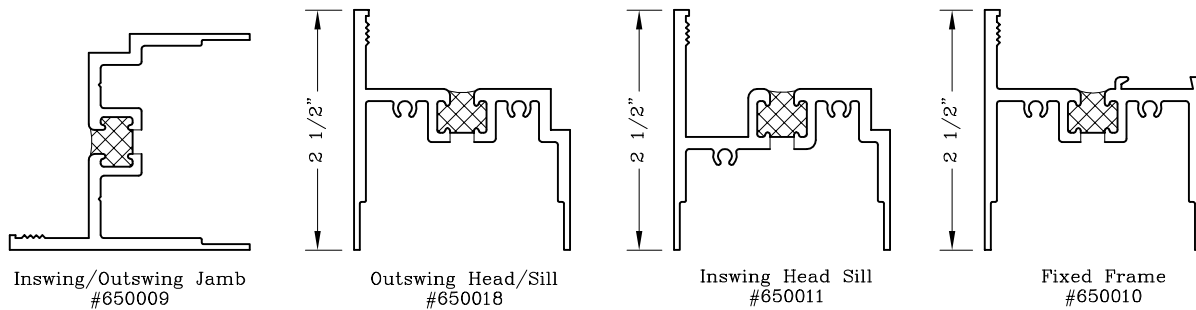
# Frame Options - 2 1/4"



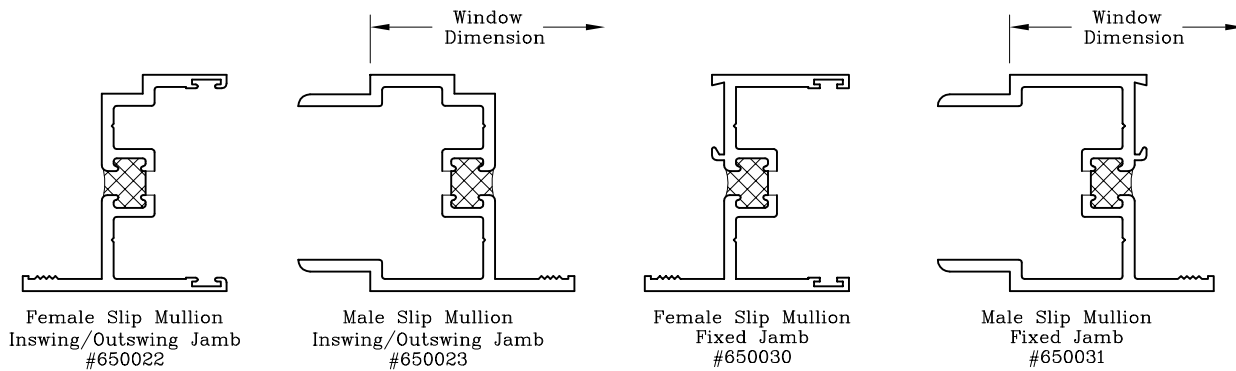
Series: 6500

Drawing 1/2 Scale - For Custom Size Drawing Contact Graham

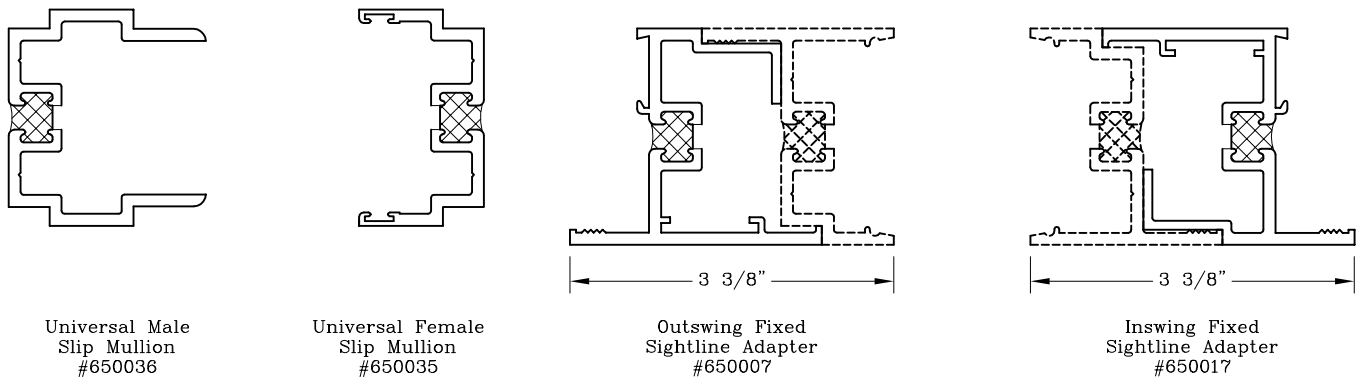
Note: Sealant Not Shown On Details. Consult Technical Services At Factory For Sealing Procedures.



## Extended Leg Frame Options For Panning And Receptor Applications



## Slip Mullion Jamb Options



Fixed Sightline Adapters  
For Equal Sightline Appearance Between Fixed And  
Operable Portions Of Window Assembly

# Single Glazing Detail – 2 1/4”

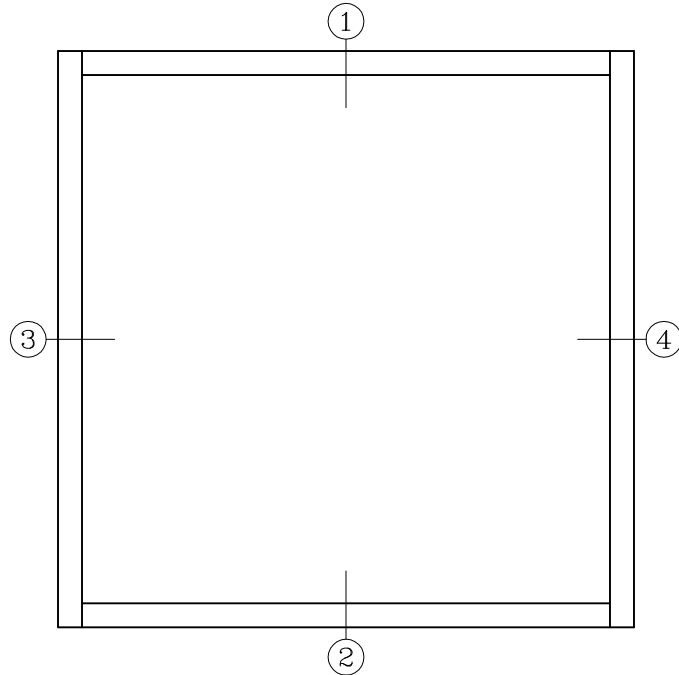
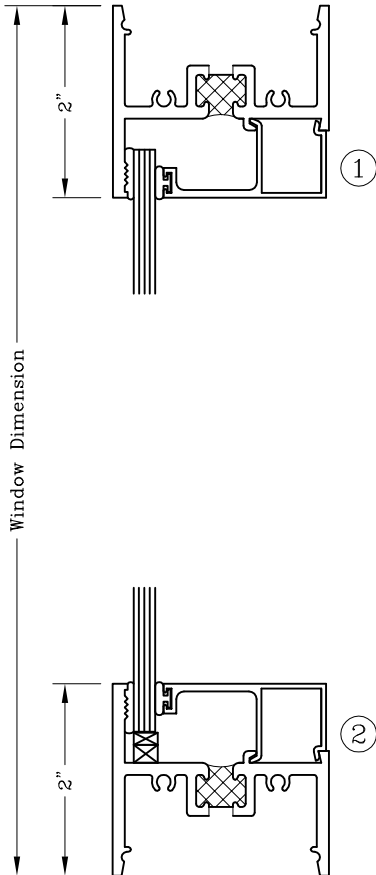


Series: 6500

Manufacturing Code: 6514

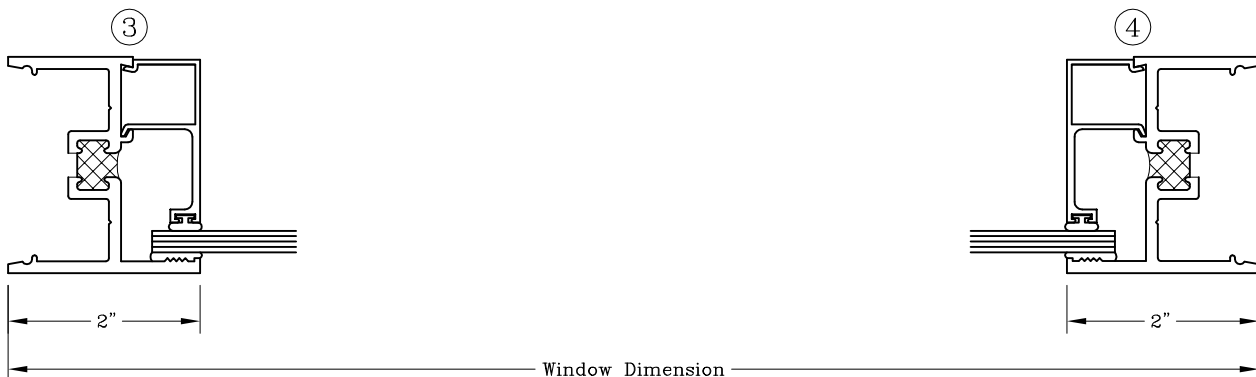
Drawing 1/2 Scale – For Custom Size Drawing Contact Graham

Note: Sealant Not Shown On Details. Consult Technical Services At Factory For Sealing Procedures.



### ELEVATION

NOTE: Glazing Option Shown On Fixed Window  
Glazing Detail Is Similar For Operable Sash  
Glazing Available In 1/8”, 3/16”, 1/4”, & 5/16”



# Lift-In Guardian Detail - 2 1/4"

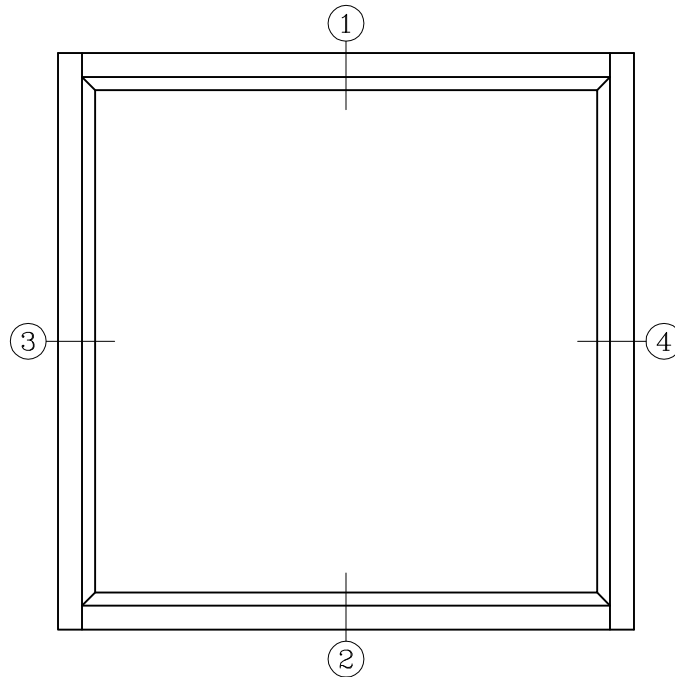
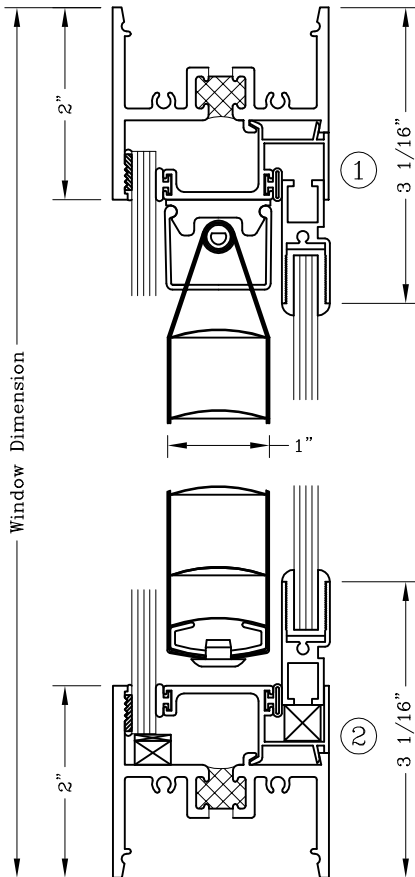


Series: 6500

Manufacturing Code: 6515

Drawing 1/2 Scale - For Custom Size Drawing Contact Graham

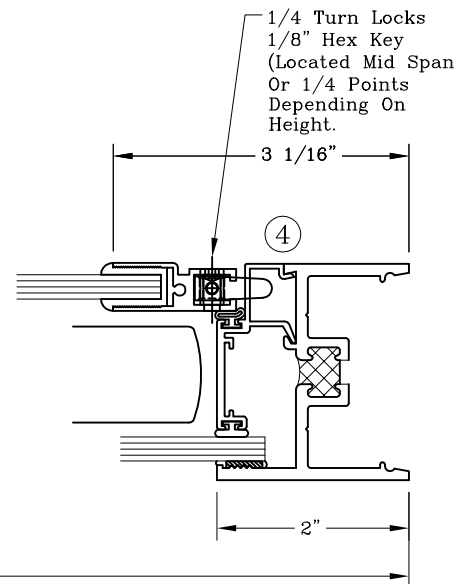
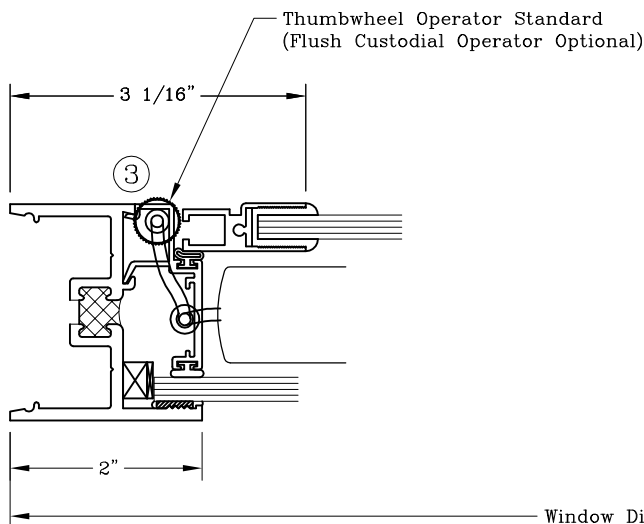
Note: Sealant Not Shown On Details. Consult Technical Services At Factory For Sealing Procedures.



ELEVATION

NOTE: Glazing Option Shown On Fixed Window  
Glazing Detail Is Similar For Operable Sash

Optional 1" Blind Shown



# Pivot Guardian Detail - 2 1/4"

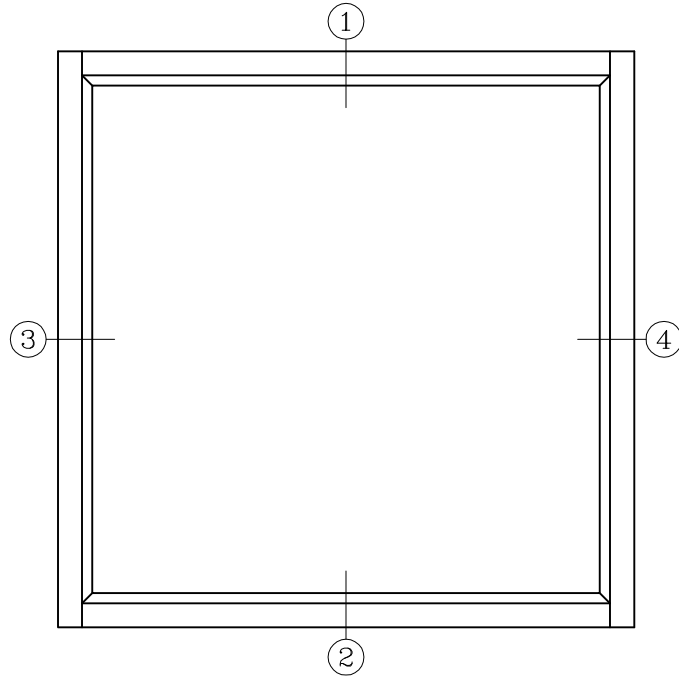
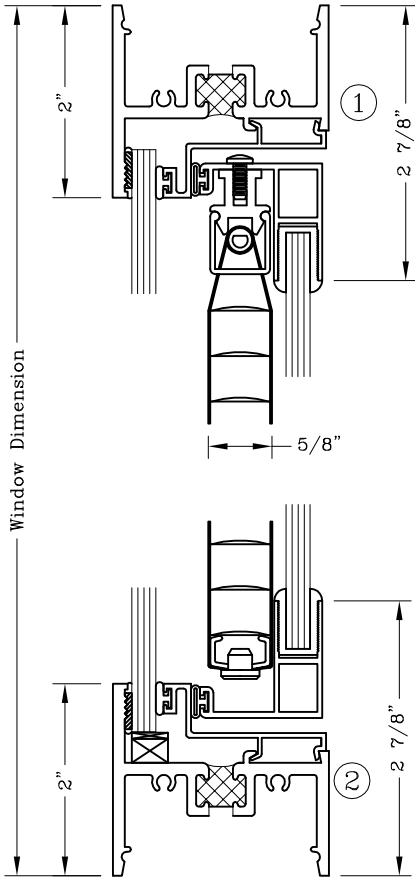


Series: 6500

Manufacturing Code: 6516

Drawing 1/2 Scale - For Custom Size Drawing Contact Graham

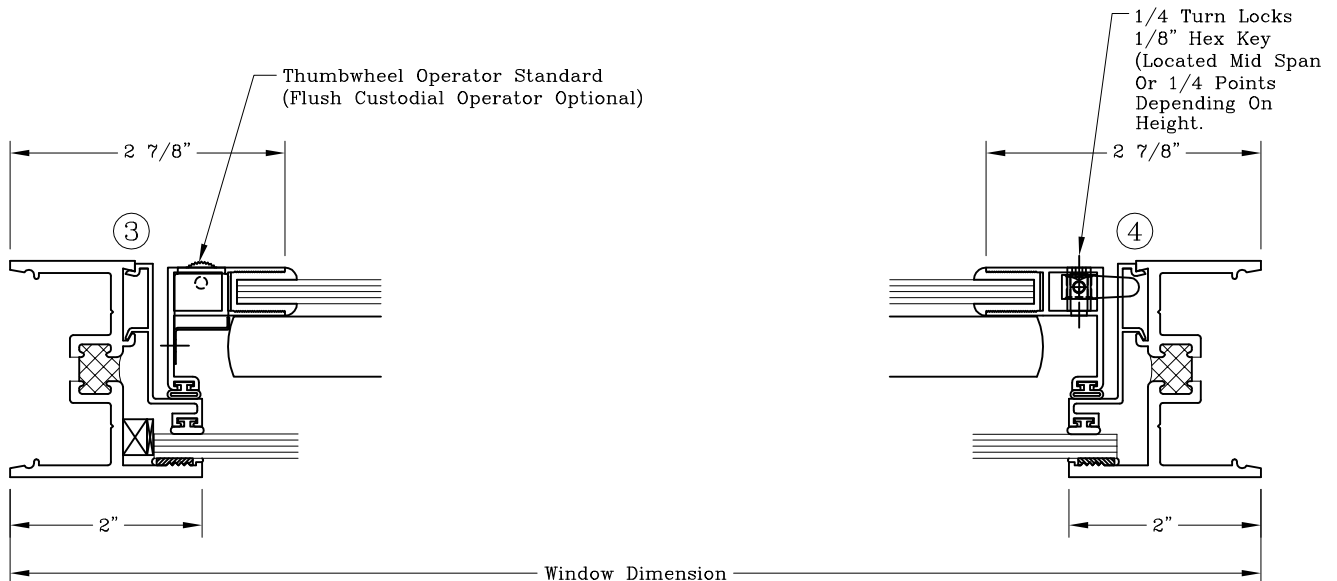
Note: Sealant Not Shown On Details. Consult Technical Services At Factory For Sealing Procedures.



ELEVATION

NOTE: Glazing Option Shown On Fixed Window  
Glazing Detail Is Similar For Operable Sash

Optional 5/8" Blind Shown





# Sunshade / Light Shelf 6500 Series – Fixed/Outswing

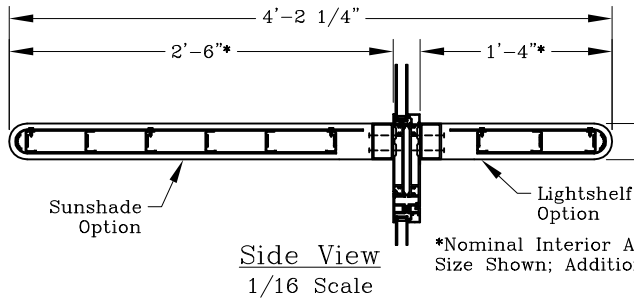
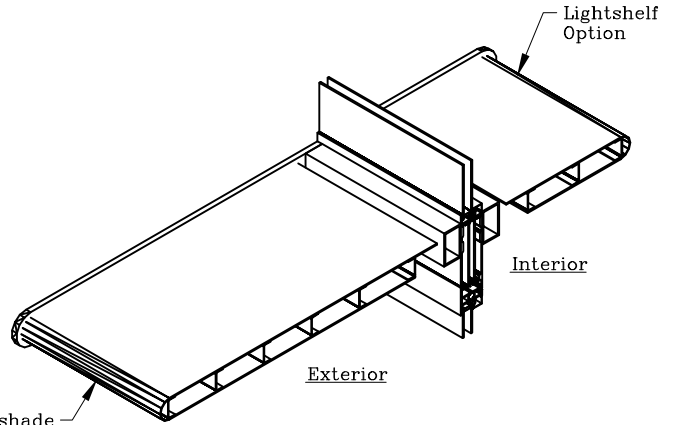
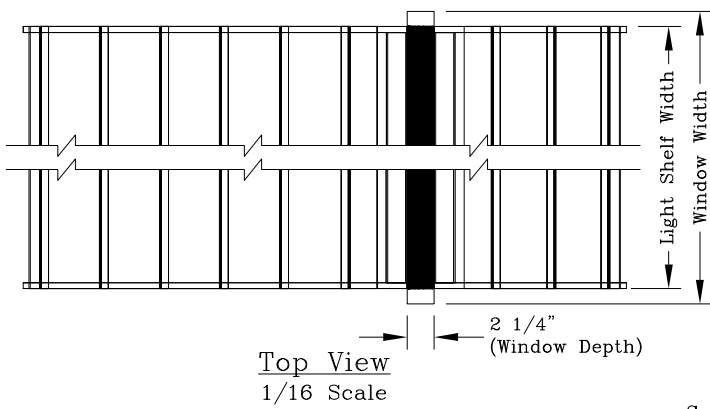


Series: 6500

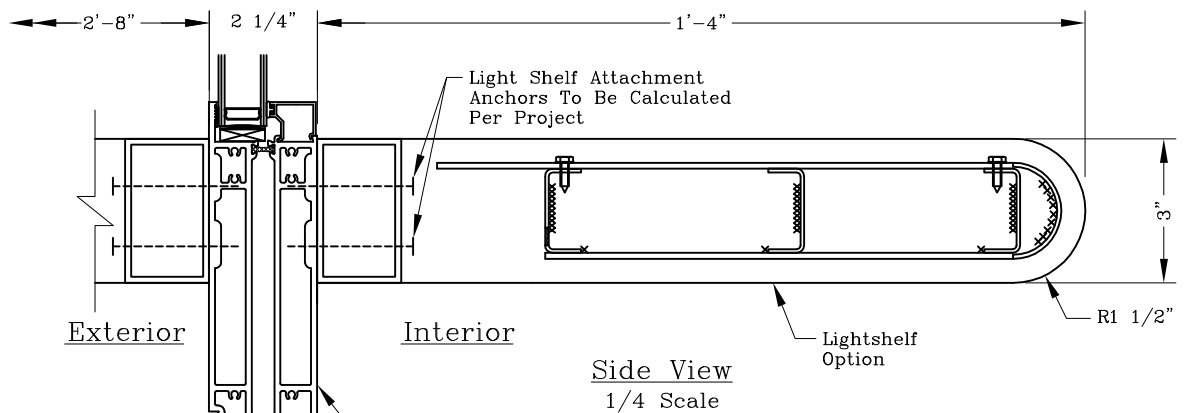
Manufacturing Code: 6521

Drawing 1/2 Scale – For Custom Size Drawing Contact Graham

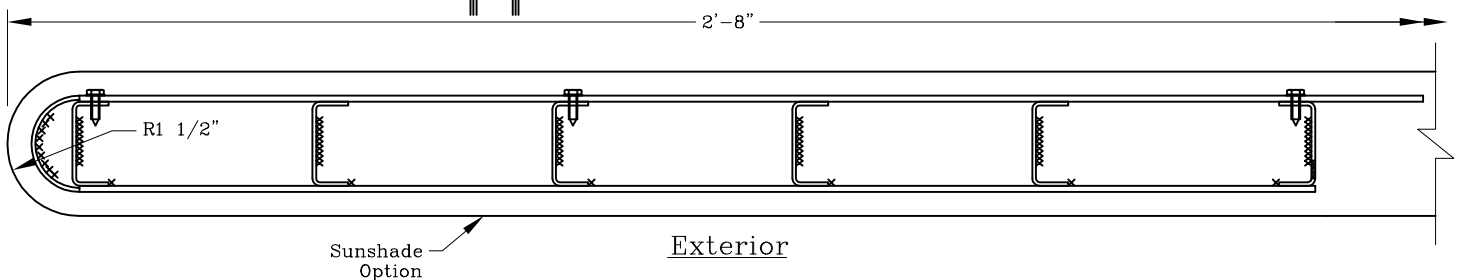
Note: Sealant Not Shown On Details. Consult Technical Services At Factory For Sealing Procedures.



\*Nominal Interior And Exterior Blade Size Shown; Additional Sizes Available.



Note:  
The Light Shelf Is Currently Only Designed For Use With The 6500 Series Fixed Over Intermediate Rail As Shown. P/N 650368. Other Intermediate Designs Upon Request.



# Projected Historic - 2 1/4" AP-AW60

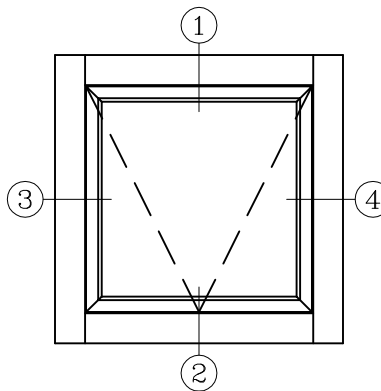
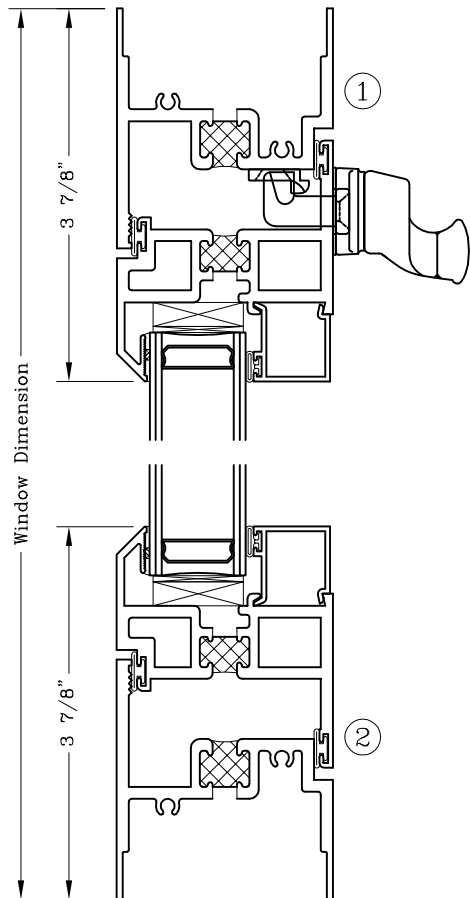


Series: 6500H

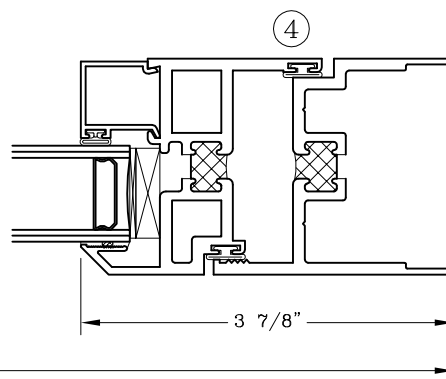
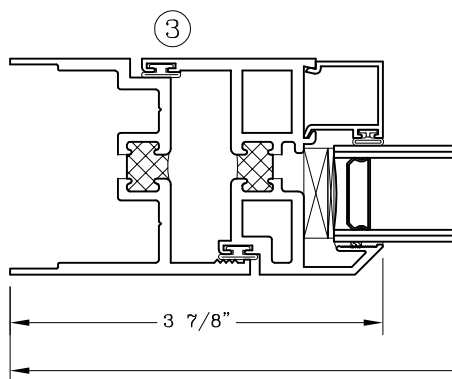
Manufacturing Code: 65H01

Drawing 1/2 Scale - For Custom Size Drawing Contact Graham

Note: Sealant Not Shown On Details. Consult Technical Services At Factory For Sealing Procedures.



ELEVATION



Note: Dashed Lines Represent Inswing Vented Units Solid Lines Represent Outswing Vented Units; Lines Converge At Hinge Side Of Vent

Fixed/Projected - 2 1/4"  
AP-AW60

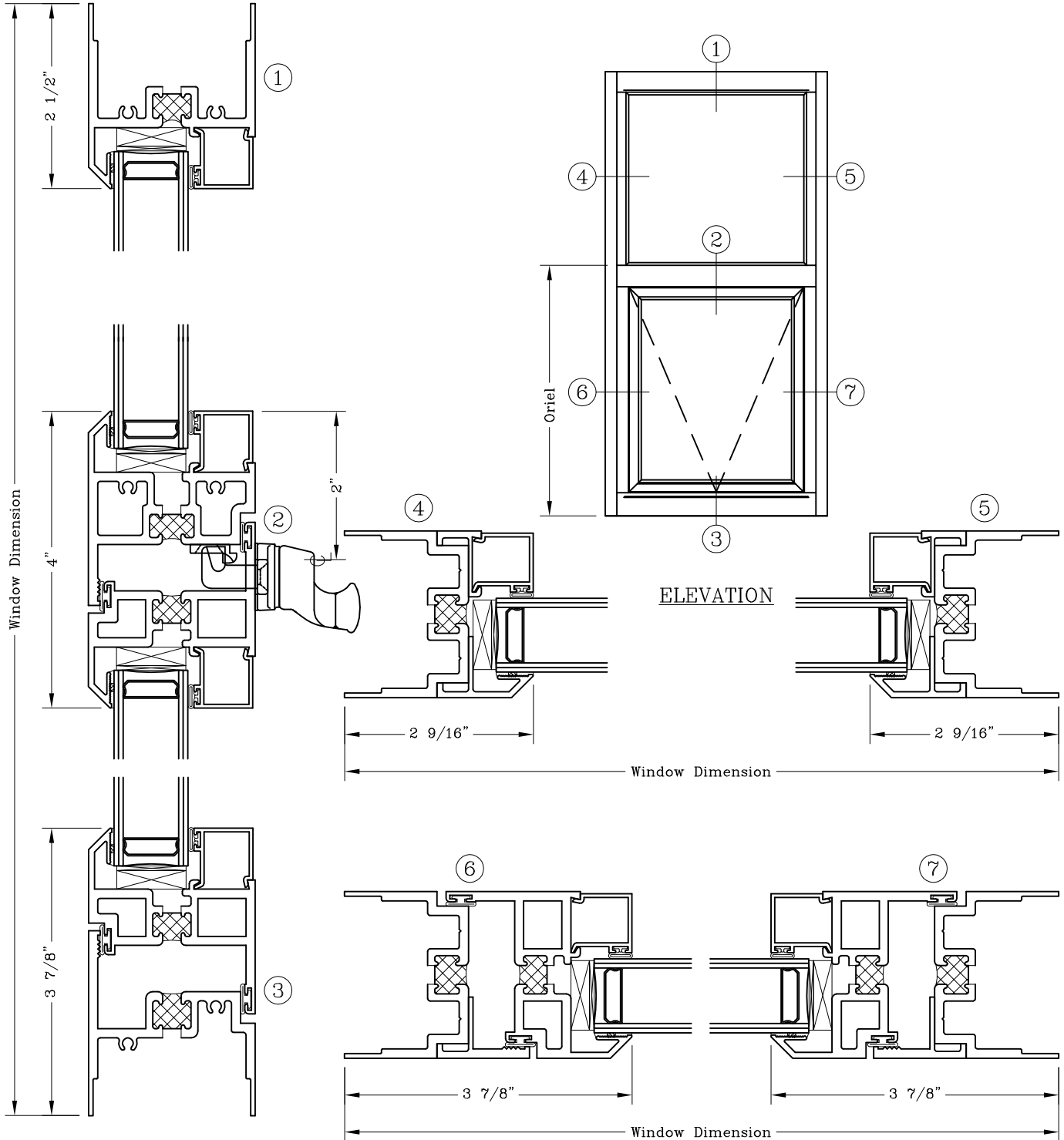


Series: 6500H

Manufacturing Code: 65H02

Drawing 1/2 Scale - For Custom Size Drawing Contact Graham

Note: Sealant Not Shown On Details. Consult Technical Services At Factory For Sealing Procedures.



Note: Dashed Lines Represent Inswing Vented Units Solid Lines Represent Outswing Vented Units; Lines Converge At Hinge Side Of Vent

# Casement Historic - 2 1/4"

## AP-AW60

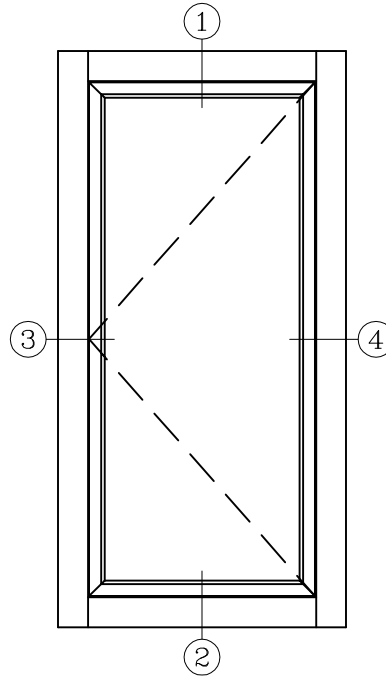
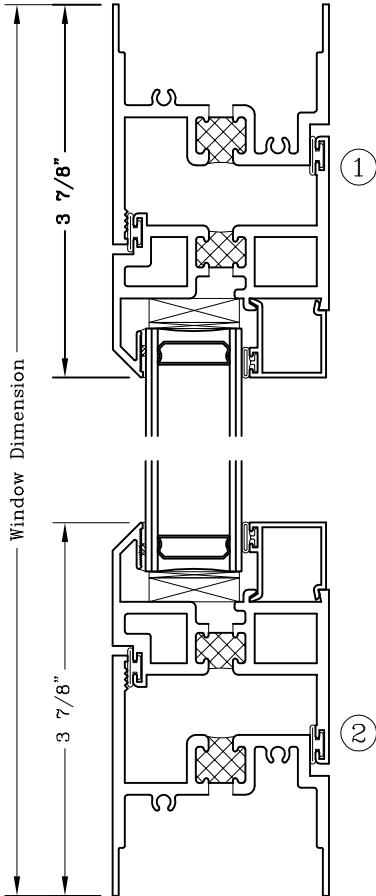


Series: 6500H

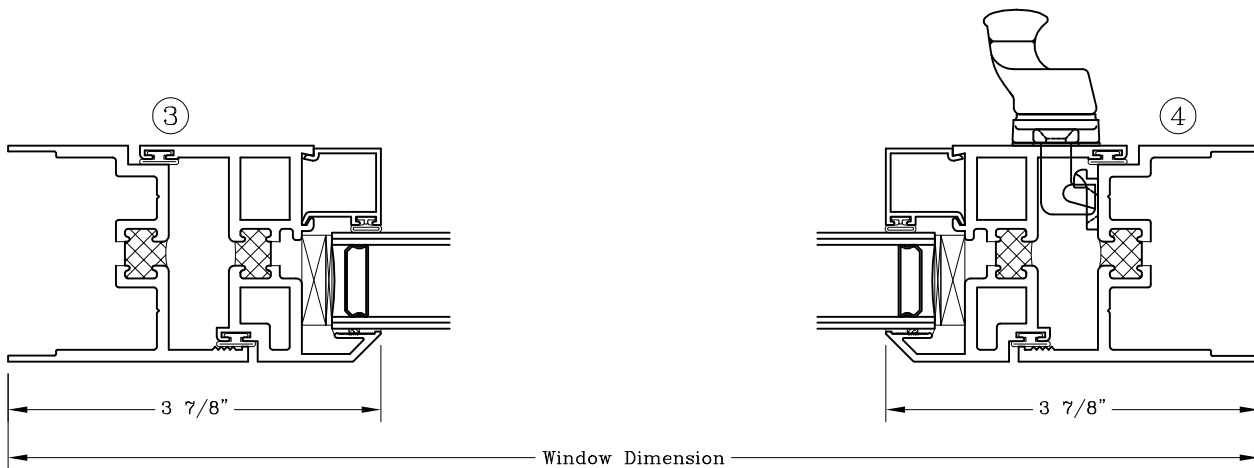
Manufacturing Code: 65H03

Drawing 1/2 Scale - For Custom Size Drawing Contact Graham

Note: Sealant Not Shown On Details. Consult Technical Services At Factory For Sealing Procedures.



ELEVATION



Note: Dashed Lines Represent Inswing Vented Units Solid Lines Represent Outswing Vented Units; Lines Converge At Hinge Side Of Vent

# Fixed Historic - 2 1/4"

## F-AW110

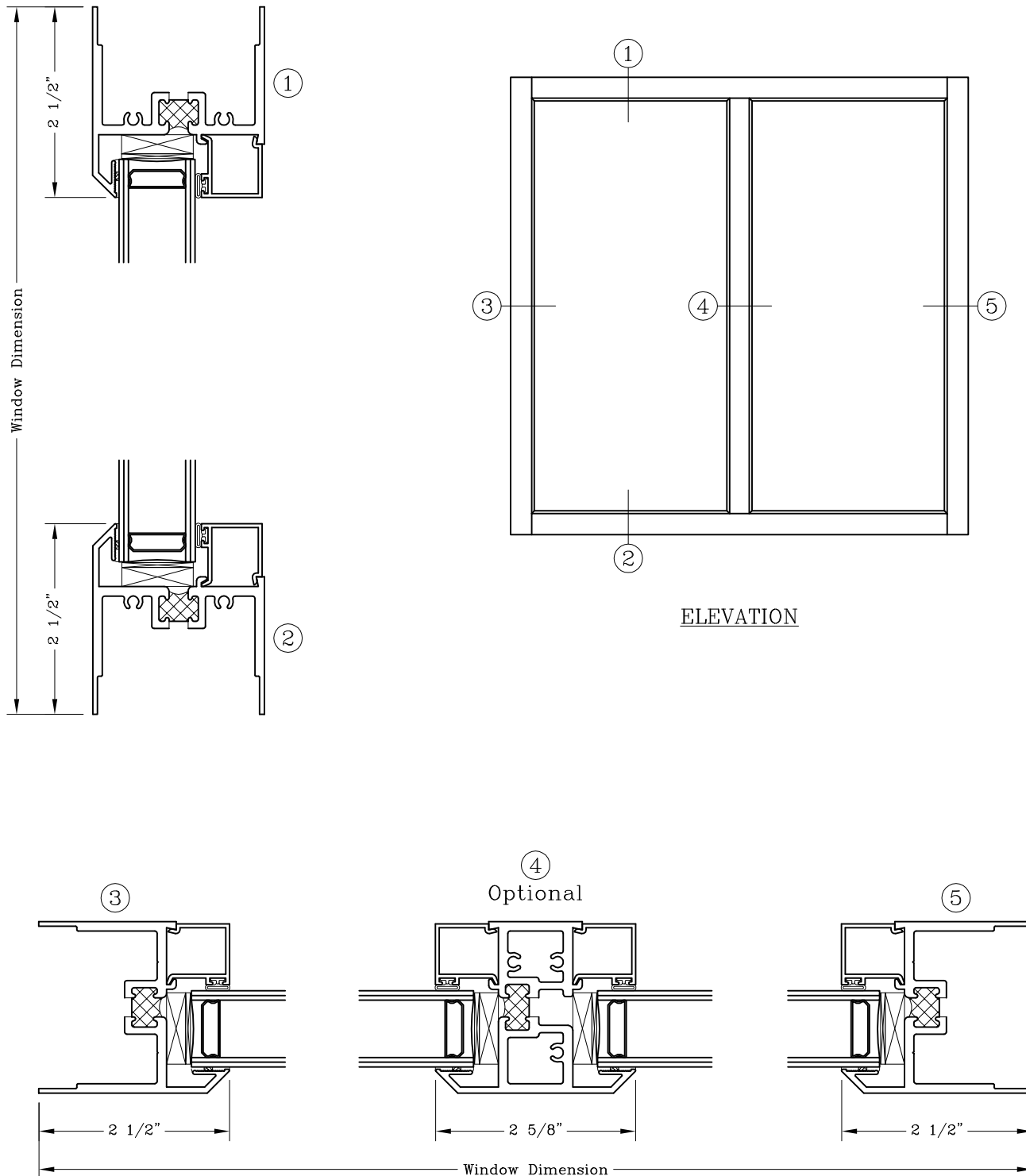


Series: 6500H

Manufacturing Code: 65H04

Drawing 1/2 Scale - For Custom Size Drawing Contact Graham

Note: Sealant Not Shown On Details. Consult Technical Services At Factory For Sealing Procedures.



Note: Dashed Lines Represent Inswing Vented Units Solid Lines Represent Outswing Vented Units; Lines Converge At Hinge Side Of Vent

# Casement Historic - 2 1/4"

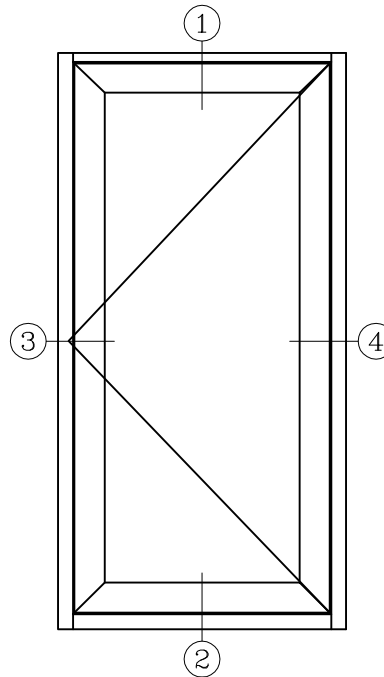
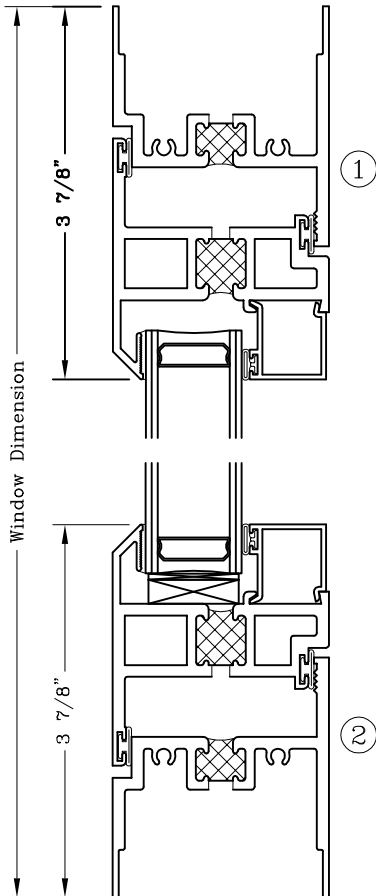


Series: 6500H

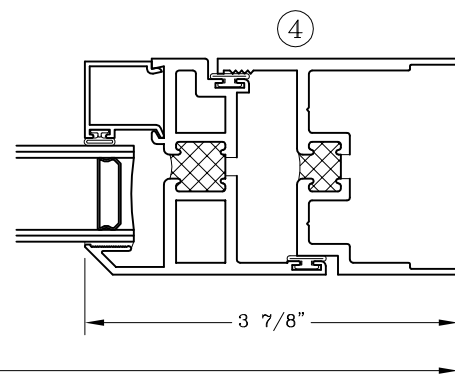
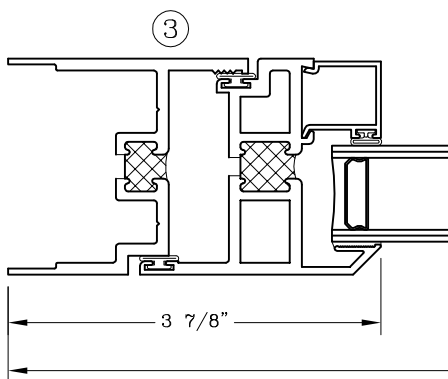
Manufacturing Code: 65H05

Drawing 1/2 Scale - For Custom Size Drawing Contact Graham

Note: Sealant Not Shown On Details. Consult Technical Services At Factory For Sealing Procedures.



ELEVATION



Note: Dashed Lines Represent Inswing Vented Units Solid Lines Represent Outswing Vented Units; Lines Converge At Hinge Side Of Vent

Projected - 2 1/4"

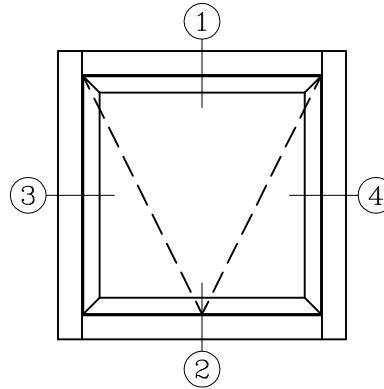
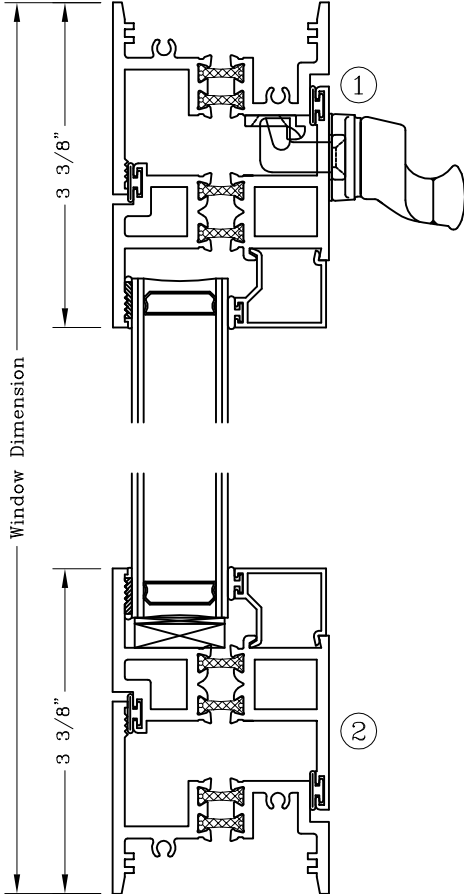


Series: S6500

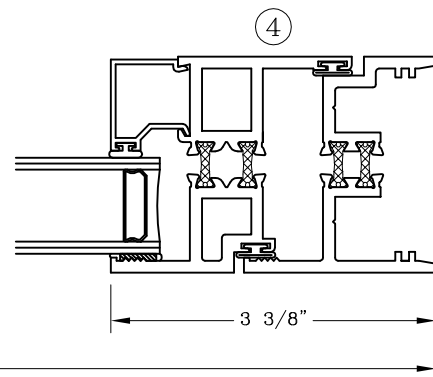
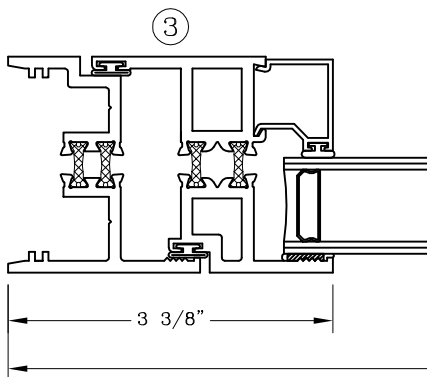
Manufacturing Code: S6501

Drawing 1/2 Scale - For Custom Size Drawing Contact Graham

Note: Sealant Not Shown On Details. Consult Technical Services At Factory For Sealing Procedures.



ELEVATION



Note: Dashed Lines Represent Inswing Vented Units Solid Lines Represent Outswing Vented Units; Lines Converge At Hinge Side Of Vent

# Fixed/Projected - 2 1/4"

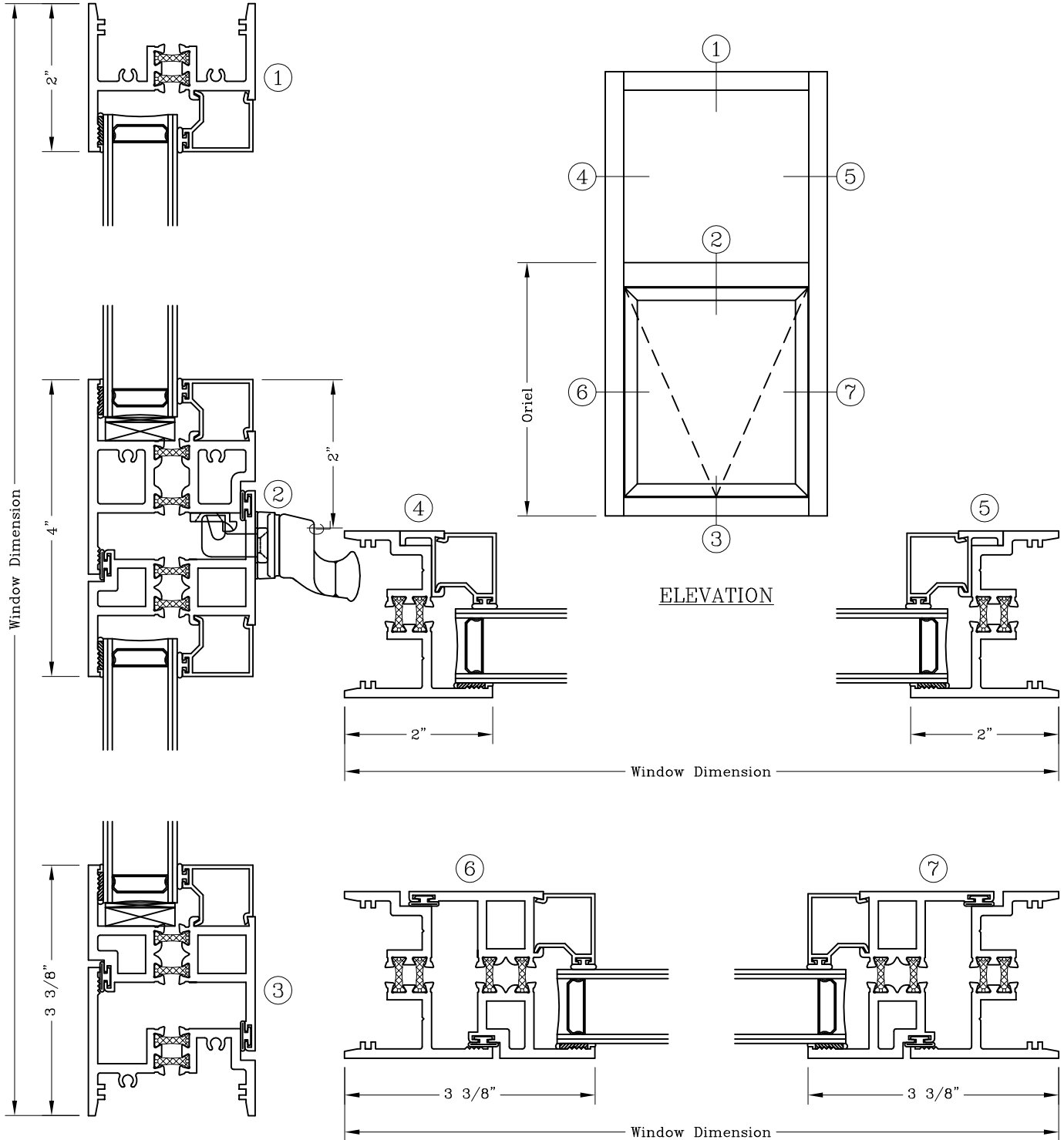


Series: S6500

Manufacturing Code: S6502

Drawing 1/2 Scale - For Custom Size Drawing Contact Graham

Note: Sealant Not Shown On Details. Consult Technical Services At Factory For Sealing Procedures.



Note: Dashed Lines Represent Inswing Vented Units Solid Lines Represent Outswing Vented Units; Lines Converge At Hinge Side Of Vent



Projected/Projected - 2 1/4"

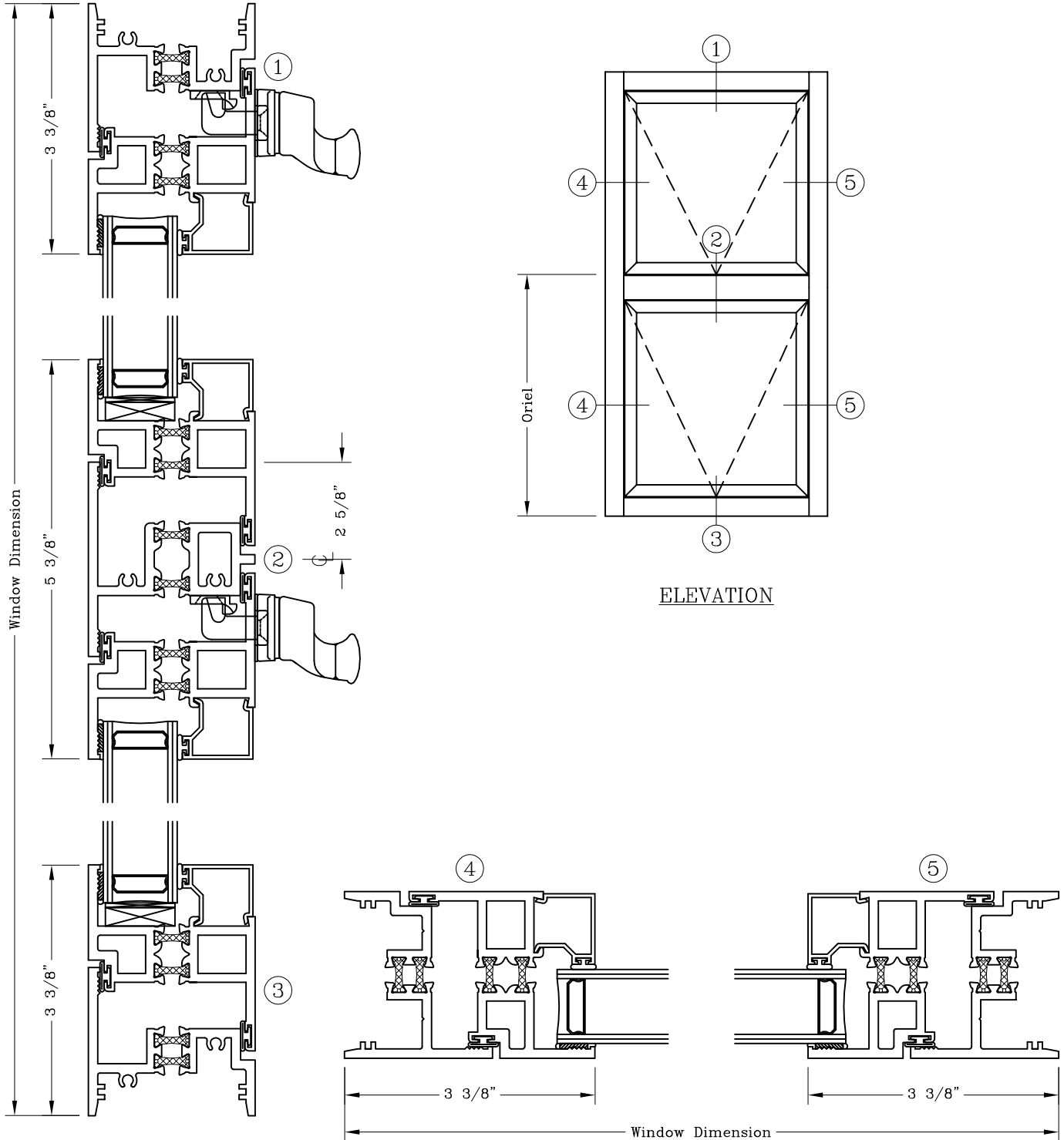


Series: S6500

Manufacturing Code: S6503

Drawing 1/2 Scale - For Custom Size Drawing Contact Graham

Note: Sealant Not Shown On Details. Consult Technical Services At Factory For Sealing Procedures.



Note: Dashed Lines Represent Inswing Vented Units Solid Lines Represent Outswing Vented Units; Lines Converge At Hinge Side Of Vent

# Casement - 2 1/4"

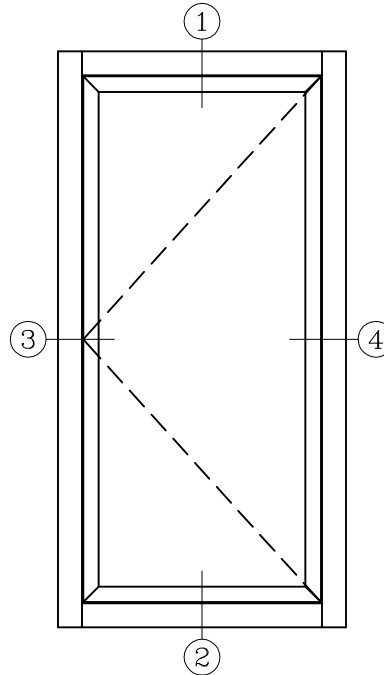
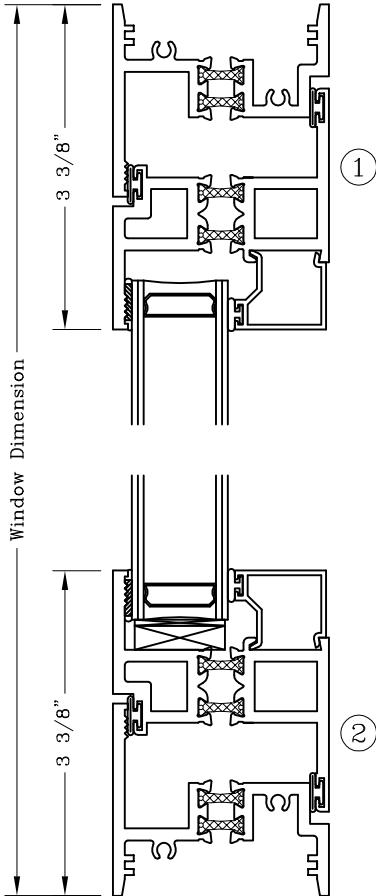


Series: S6500

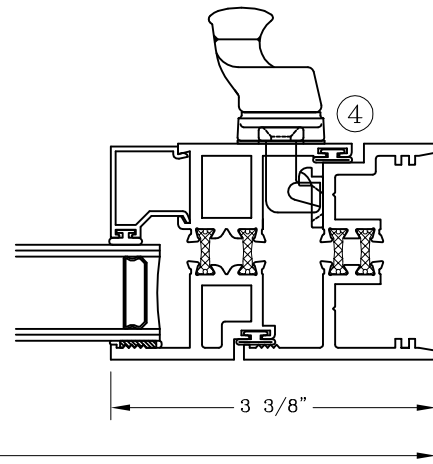
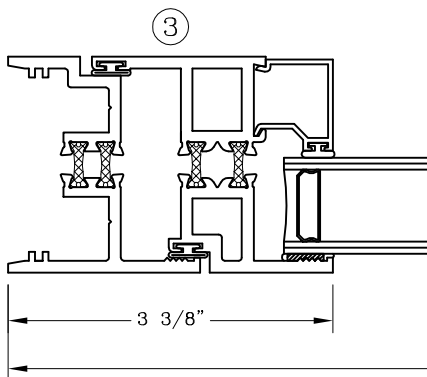
Manufacturing Code: S6504

Drawing 1/2 Scale - For Custom Size Drawing Contact Graham

Note: Sealant Not Shown On Details. Consult Technical Services At Factory For Sealing Procedures.



ELEVATION



Note: Dashed Lines Represent Inswing Vented Units Solid Lines Represent Outswing Vented Units; Lines Converge At Hinge Side Of Vent

# Fixed/Casement - 2 1/4"

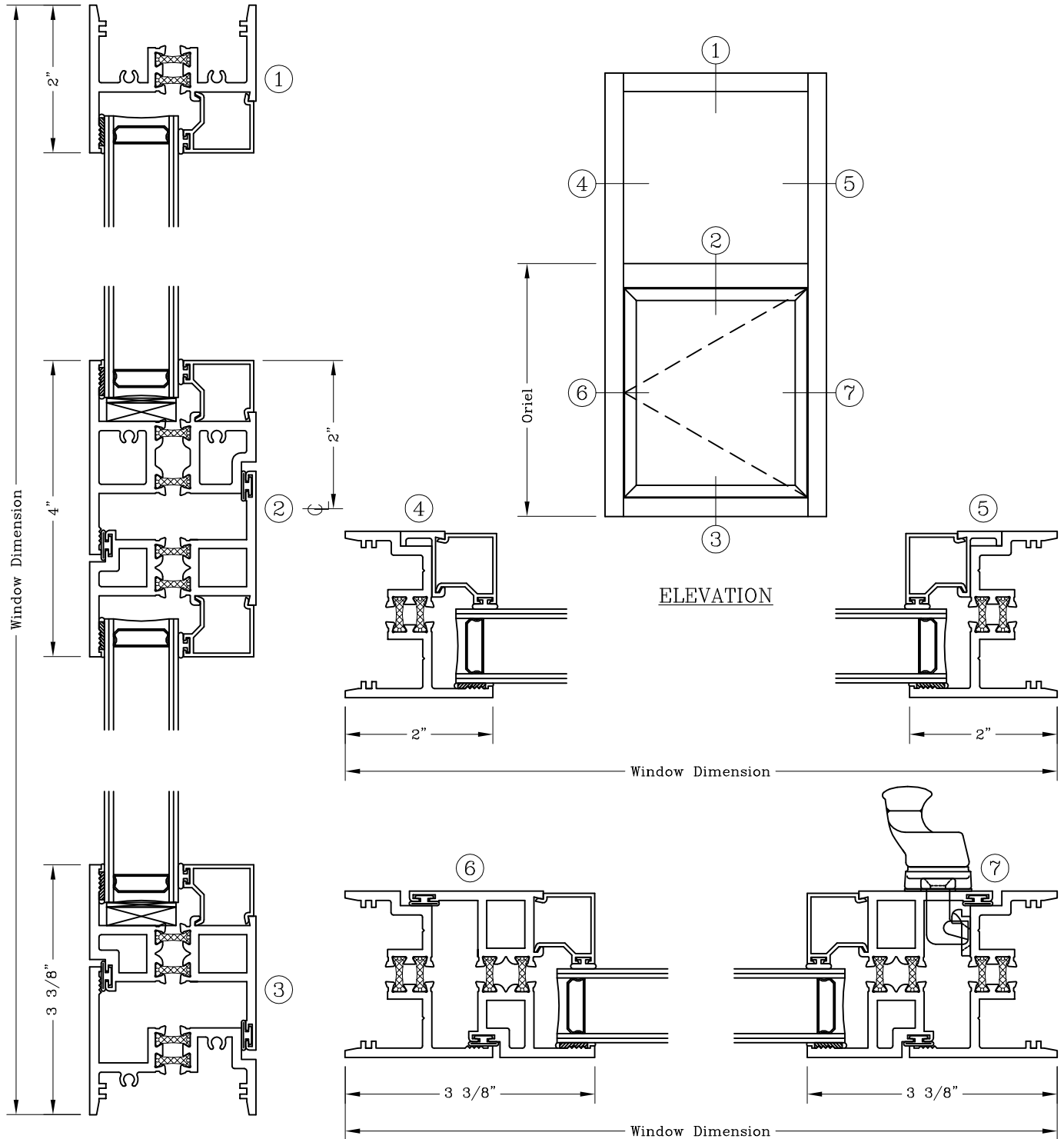


Series: S6500

Manufacturing Code: S6505

Drawing 1/2 Scale - For Custom Size Drawing Contact Graham

Note: Sealant Not Shown On Details. Consult Technical Services At Factory For Sealing Procedures.



Note: Dashed Lines Represent Inswing Vented Units Solid Lines Represent Outswing Vented Units; Lines Converge At Hinge Side Of Vent

Projected - 2 1/4"

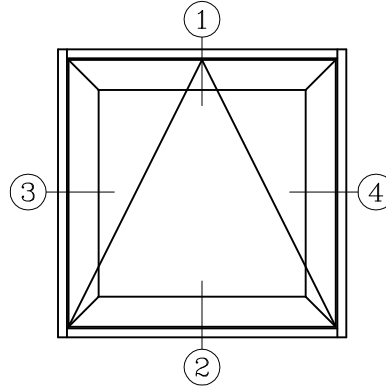
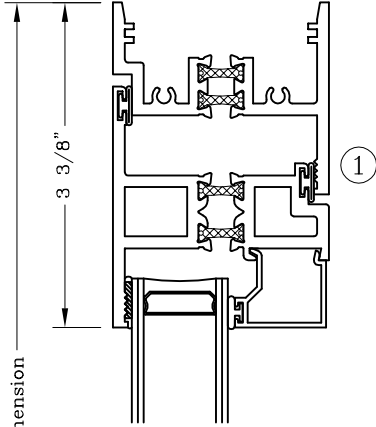


Series: S6500

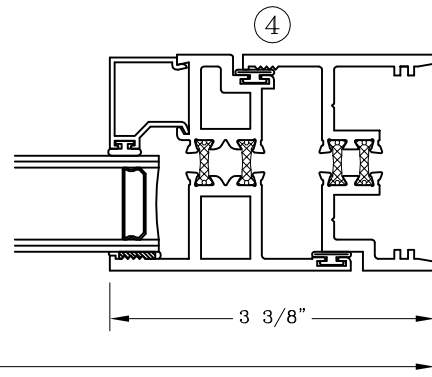
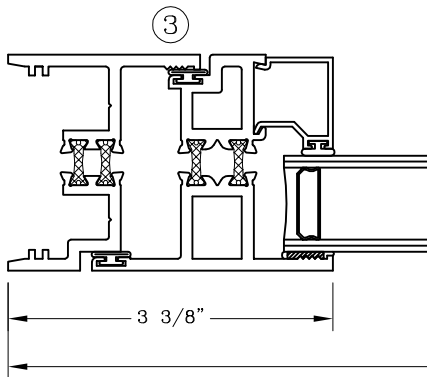
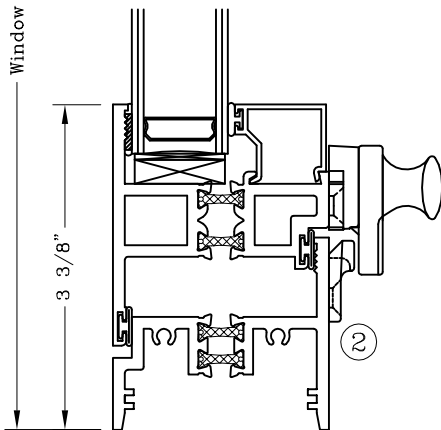
Manufacturing Code: S6506

Drawing 1/2 Scale - For Custom Size Drawing Contact Graham

Note: Sealant Not Shown On Details. Consult Technical Services At Factory For Sealing Procedures.



ELEVATION



Note: Dashed Lines Represent Inswing Vented Units Solid Lines Represent Outswing Vented Units; Lines Converge At Hinge Side Of Vent

# Fixed/Projected - 2 1/4"

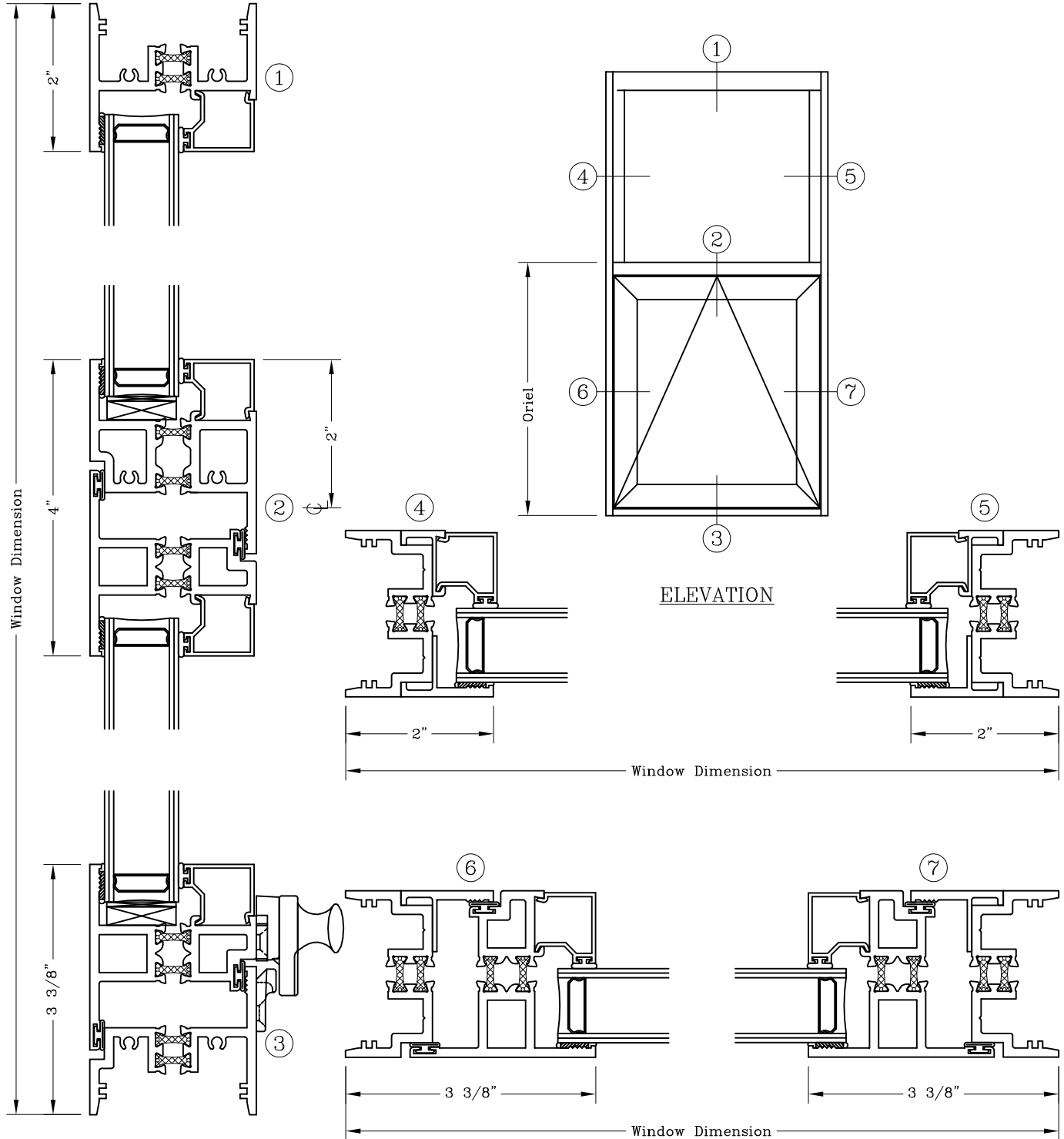


Series: S6500

Manufacturing Code: S6507

Drawing 1/2 Scale - For Custom Size Drawing Contact Graham

Note: Sealant Not Shown On Details. Consult Technical Services At Factory For Sealing Procedures.



Note: Dashed Lines Represent Inswing Vented Units Solid Lines Represent Outswing Vented Units; Lines Converge At Hinge Side Of Vent

Projected/Projected - 2 1/4"

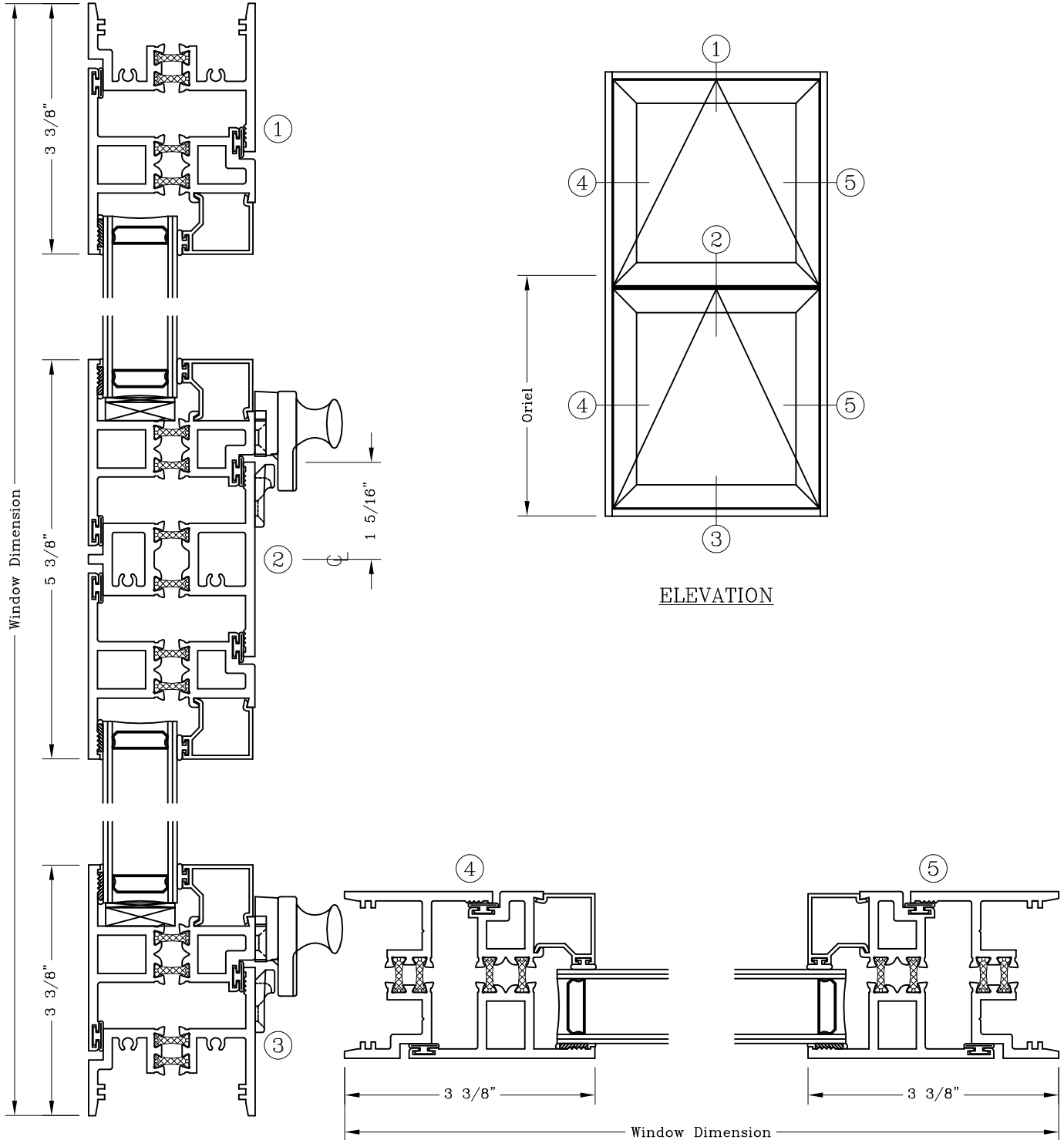


Series: S6500

Manufacturing Code: S6508

Drawing 1/2 Scale - For Custom Size Drawing Contact Graham

Note: Sealant Not Shown On Details. Consult Technical Services At Factory For Sealing Procedures.



Note: Dashed Lines Represent Inswing Vented Units Solid Lines Represent Outswing Vented Units; Lines Converge At Hinge Side Of Vent

# Casement - 2 1/4"

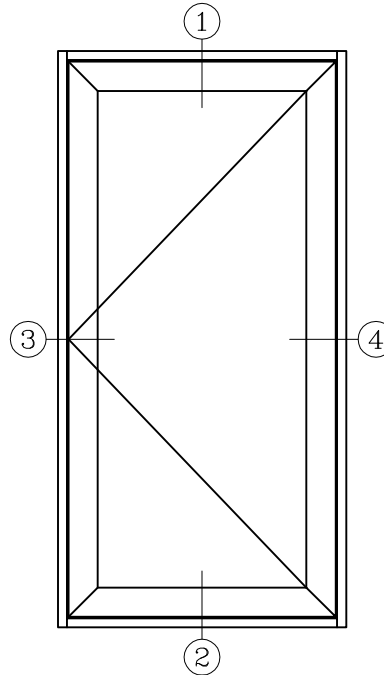
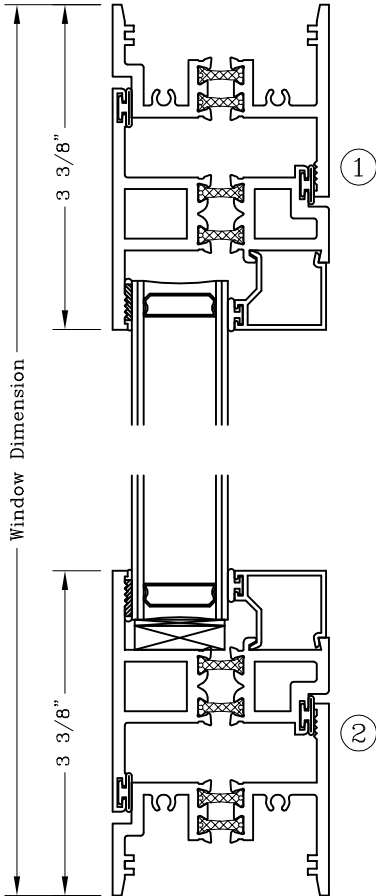


Series: S6500

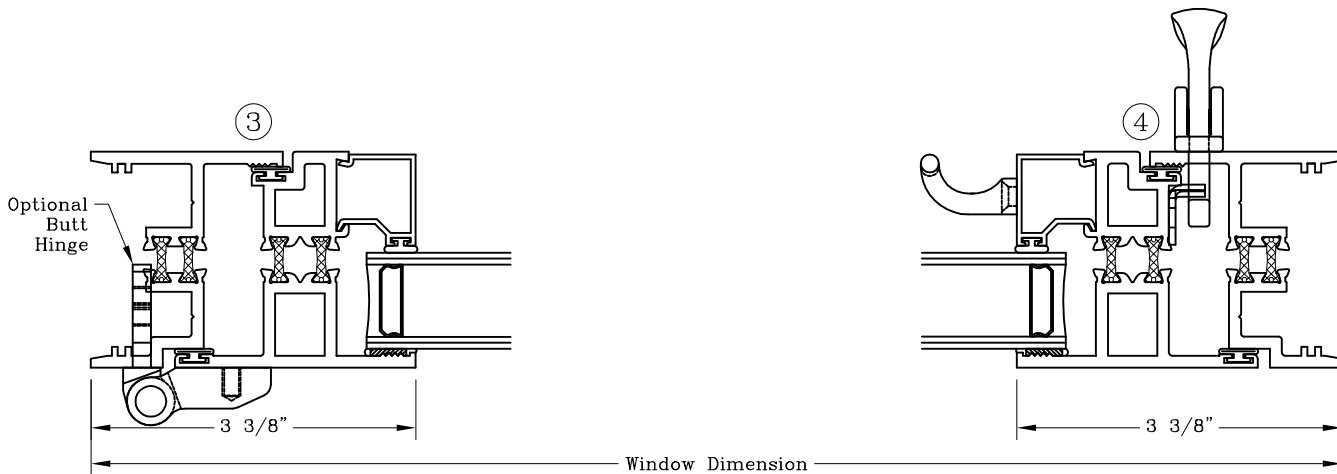
Manufacturing Code: S6509

Drawing 1/2 Scale - For Custom Size Drawing Contact Graham

Note: Sealant Not Shown On Details. Consult Technical Services At Factory For Sealing Procedures.



ELEVATION



Note: Dashed Lines Represent Inswing Vented Units Solid Lines Represent Outswing Vented Units; Lines Converge At Hinge Side Of Vent

# Fixed/Casement - 2 1/4"

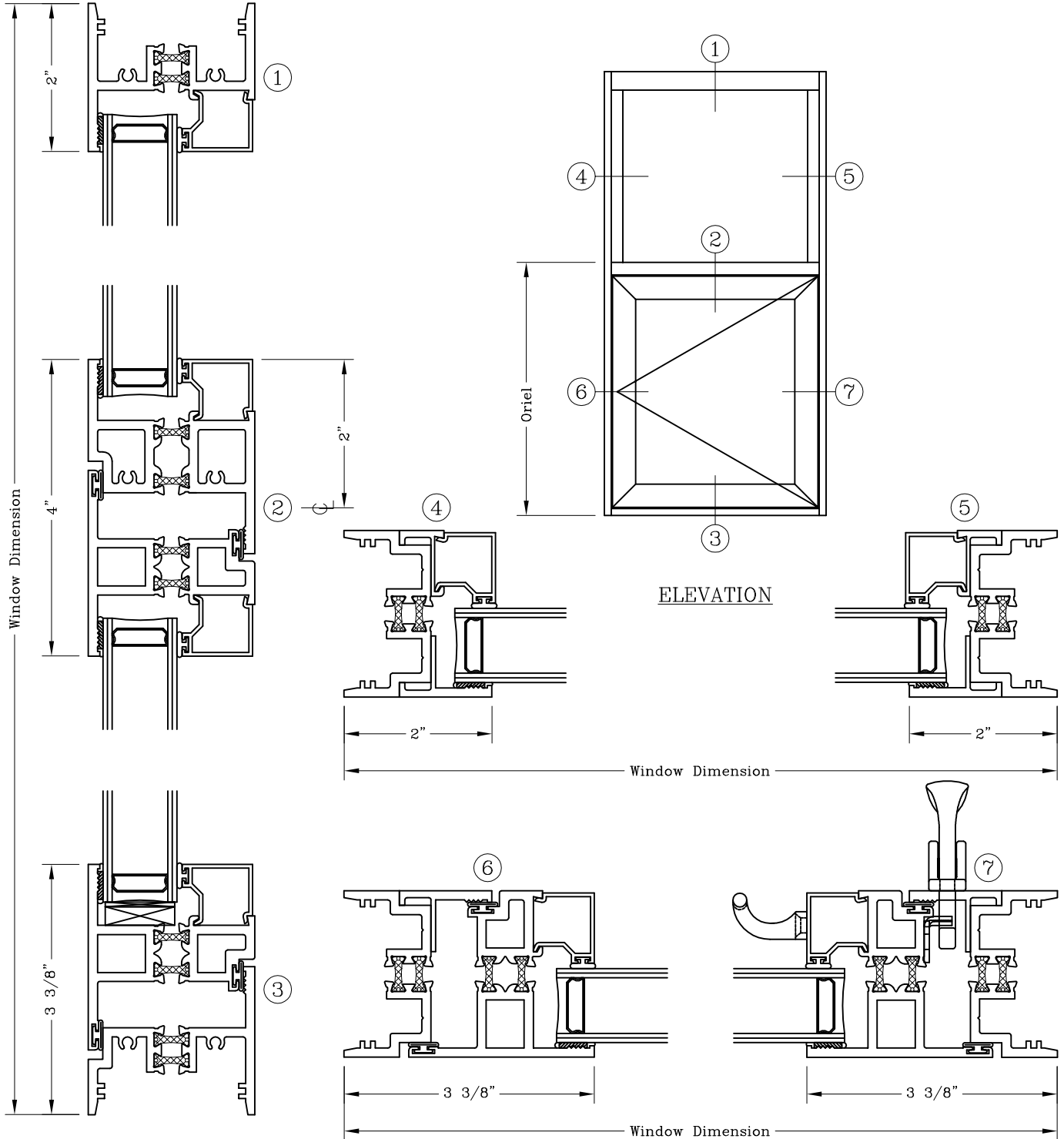


Series: S6500

Manufacturing Code: S6510

Drawing 1/2 Scale - For Custom Size Drawing Contact Graham

Note: Sealant Not Shown On Details. Consult Technical Services At Factory For Sealing Procedures.



Note: Dashed Lines Represent Inswing Vented Units Solid Lines Represent Outswing Vented Units; Lines Converge At Hinge Side Of Vent



Fixed/Fixed - 2 1/4"  
F-AW40

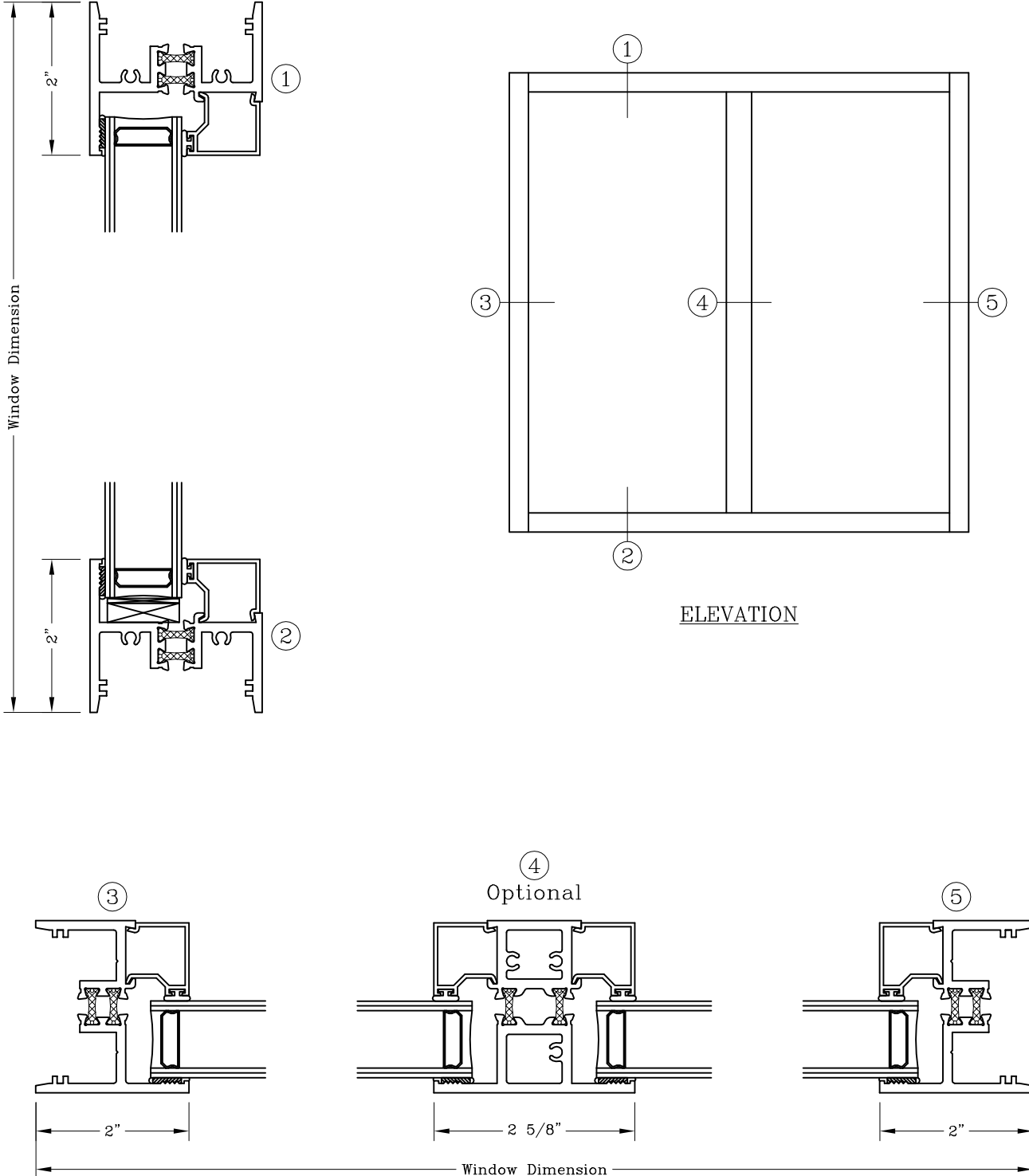


Series: S6500

Manufacturing Code: S6511

Drawing 1/2 Scale - For Custom Size Drawing Contact Graham

Note: Sealant Not Shown On Details. Consult Technical Services At Factory For Sealing Procedures.



ELEVATION

Note: Dashed Lines Represent Inswing Vented Units Solid Lines Represent Outswing Vented Units; Lines Converge At Hinge Side Of Vent

Projected/Projected - 2 1/4"

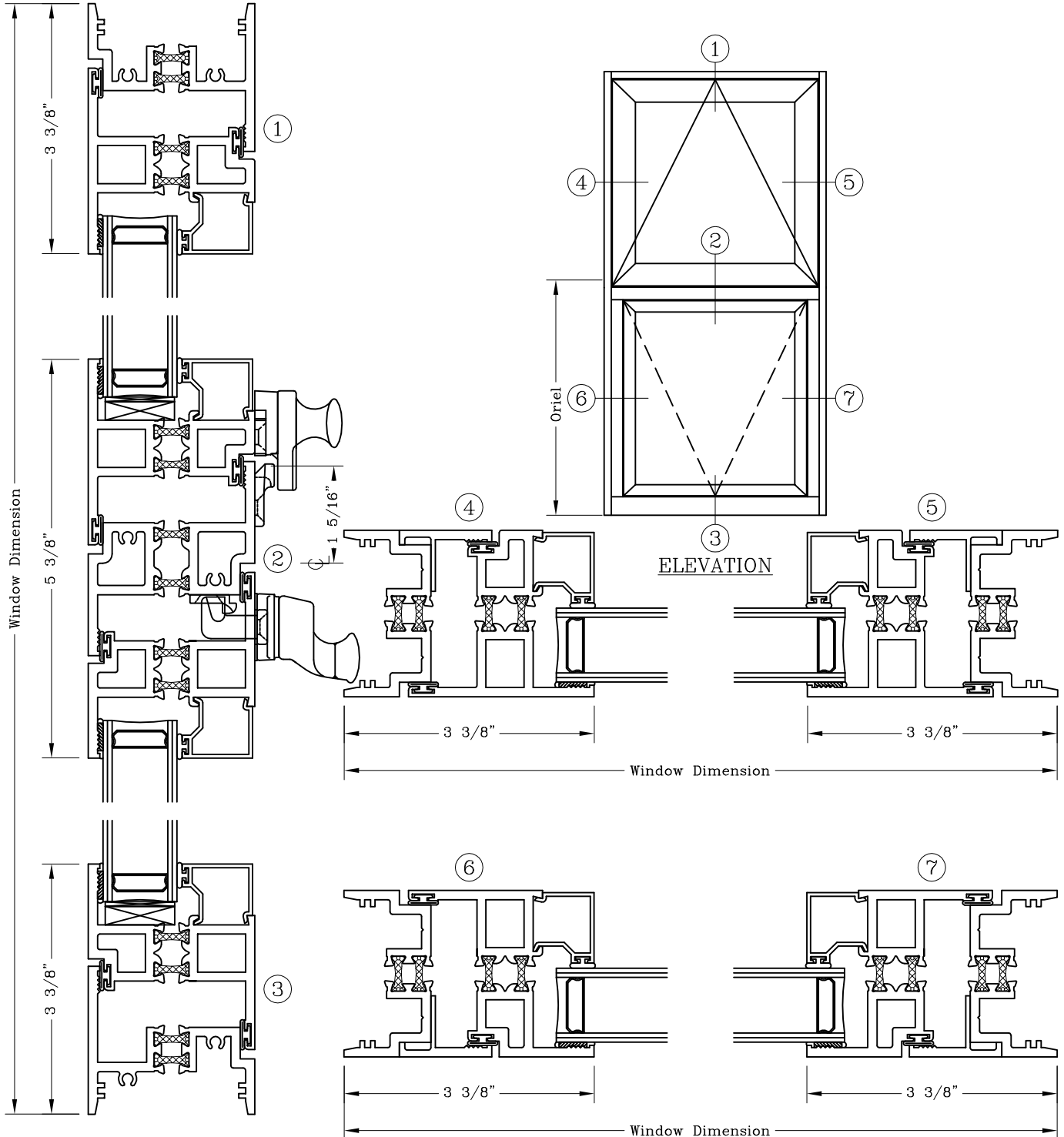


Series: S6500

Manufacturing Code: S6512

Drawing 1/2 Scale - For Custom Size Drawing Contact Graham

Note: Sealant Not Shown On Details. Consult Technical Services At Factory For Sealing Procedures.



Note: Dashed Lines Represent Inswing Vented Units Solid Lines Represent Outswing Vented Units; Lines Converge At Hinge Side Of Vent

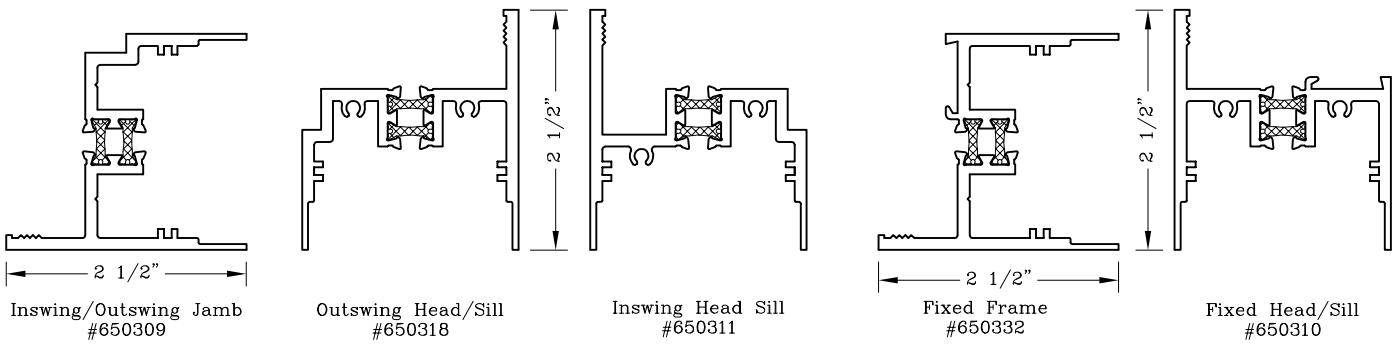
# Frame Options - 2 1/4"



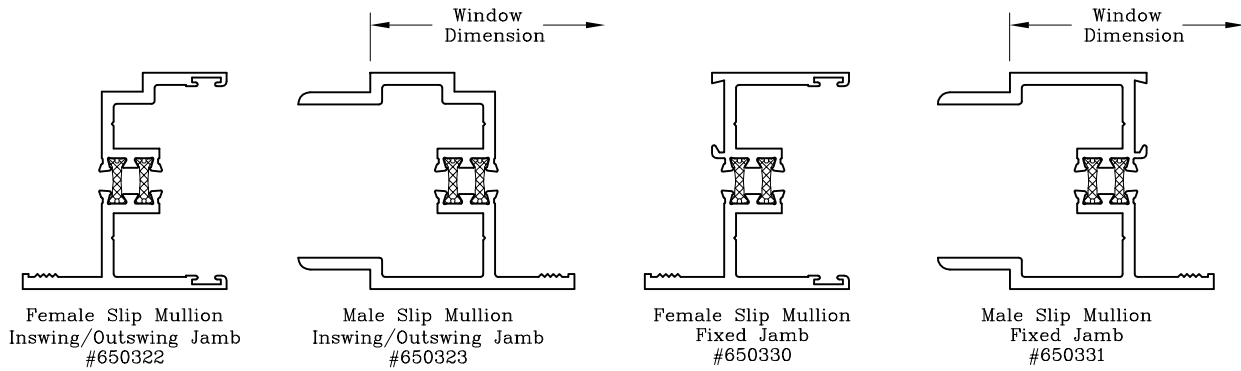
Series: S6500

Drawing 1/2 Scale - For Custom Size Drawing Contact Graham

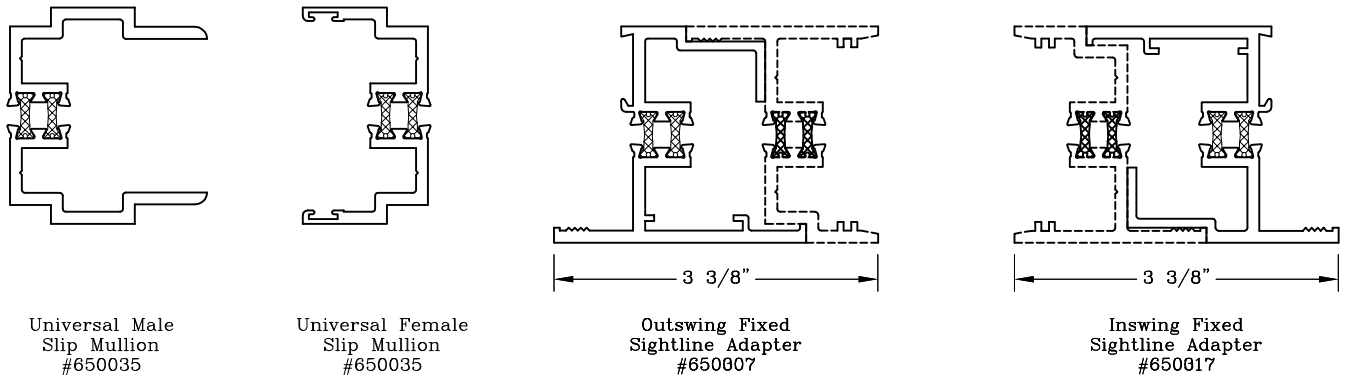
Note: Sealant Not Shown On Details. Consult Technical Services At Factory For Sealing Procedures.



## Extended Leg Frame Options For Panning And Receptor Applications



## Slip Mullion Jamb Options



## Fixed Sightline Adapters For Equal Sightline Appearance Between Fixed And Operable Portions Of Window Assembly

# Single Glazing Detail - 2 1/4"

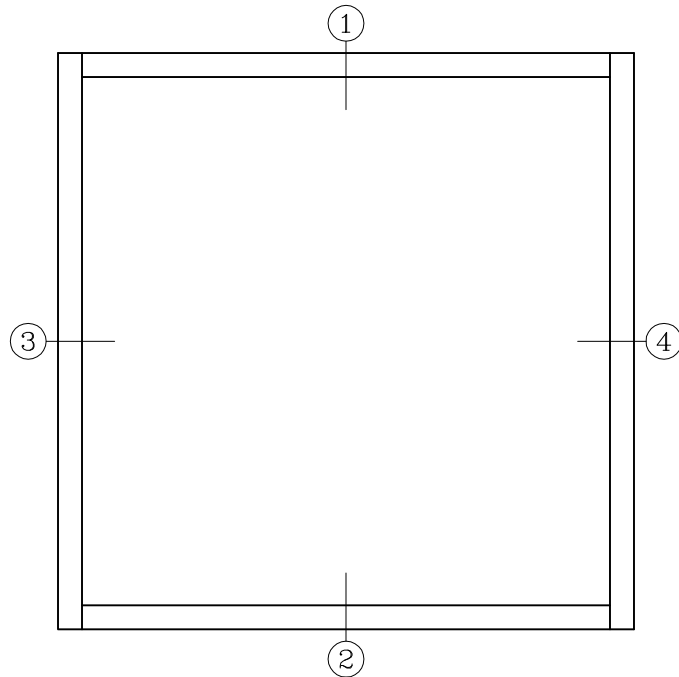
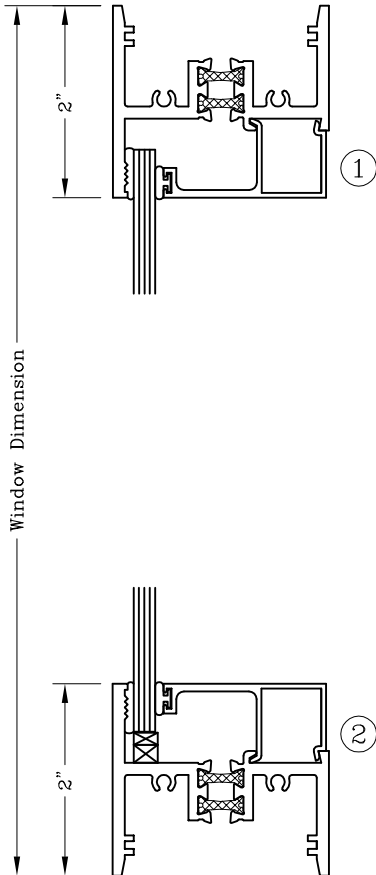


Series: S6500

Manufacturing Code: S6514

Drawing 1/2 Scale - For Custom Size Drawing Contact Graham

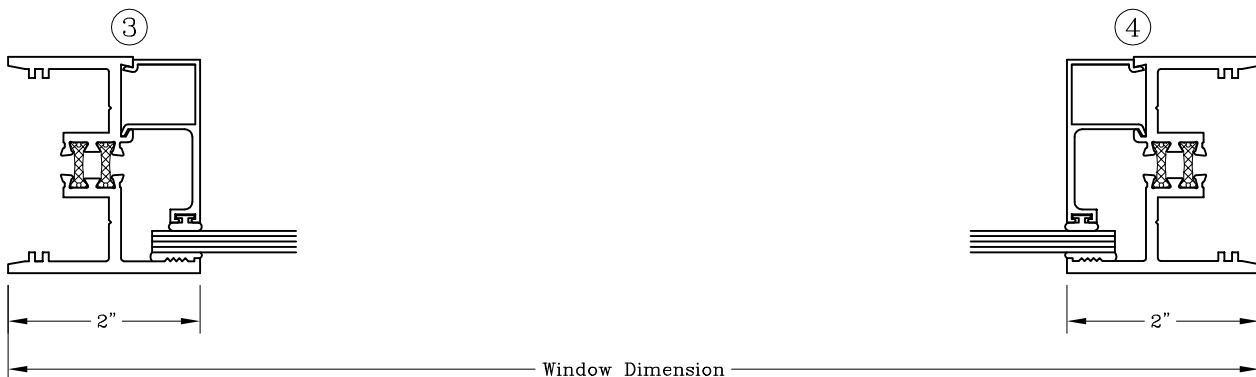
Note: Sealant Not Shown On Details. Consult Technical Services At Factory For Sealing Procedures.



ELEVATION

NOTE: Glazing Option Shown On Fixed Window  
Glazing Detail Is Similar For Operable Sash

Glazing Available In 1/8", 3/16", 1/4", & 5/16"



# Lift-In Guardian Detail - 2 1/4"

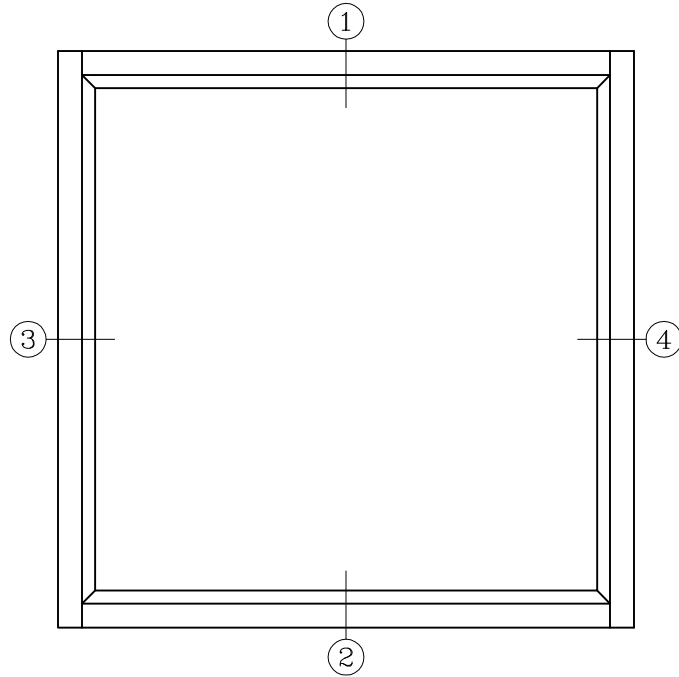
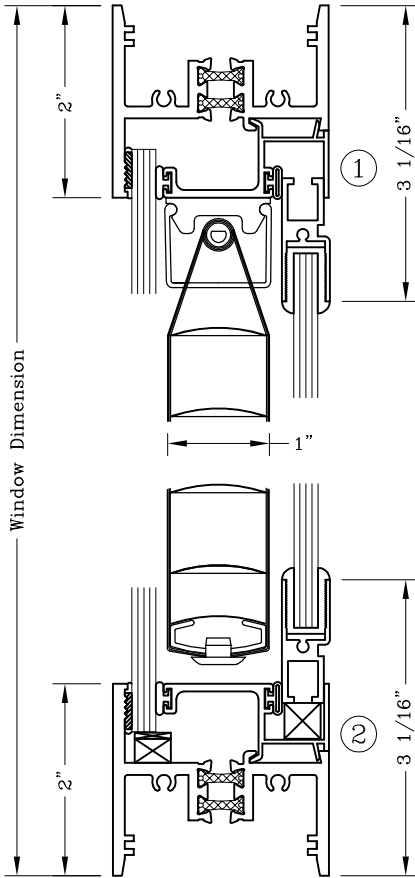


Series: S6500

Manufacturing Code: S6515

Drawing 1/2 Scale - For Custom Size Drawing Contact Graham

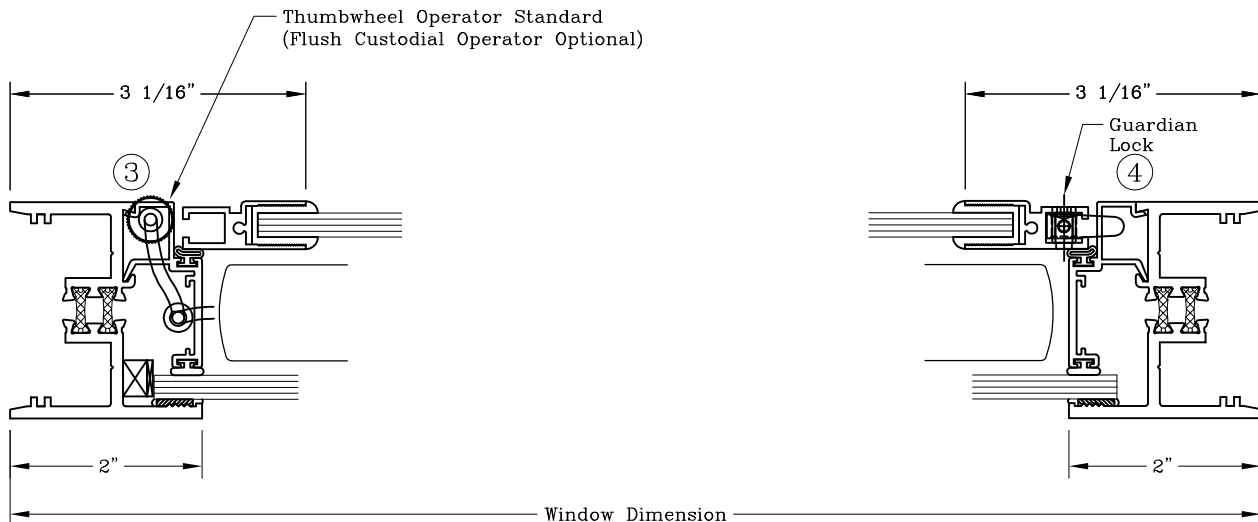
Note: Sealant Not Shown On Details. Consult Technical Services At Factory For Sealing Procedures.



ELEVATION

NOTE: Glazing Option Shown On Fixed Window  
Glazing Detail Is Similar For Operable Sash

Optional 1" Blind Shown



# Pivot Guardian Detail - 2 1/4"

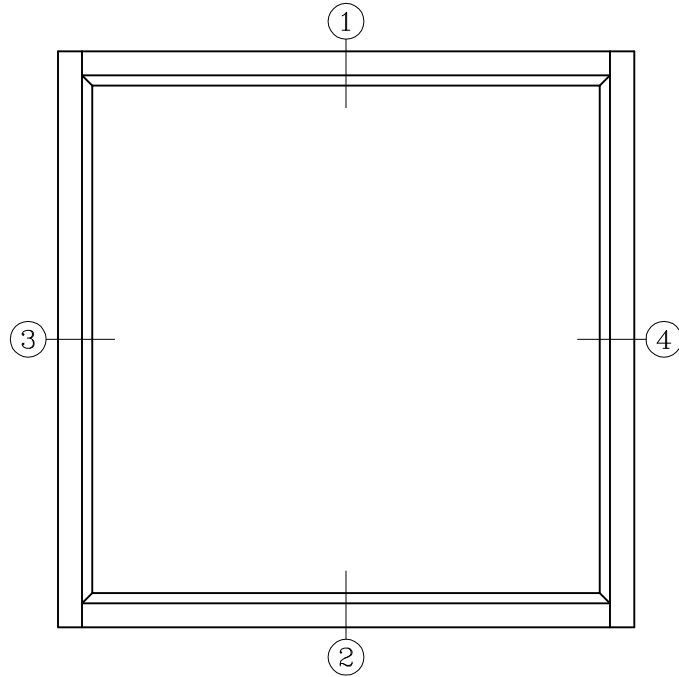
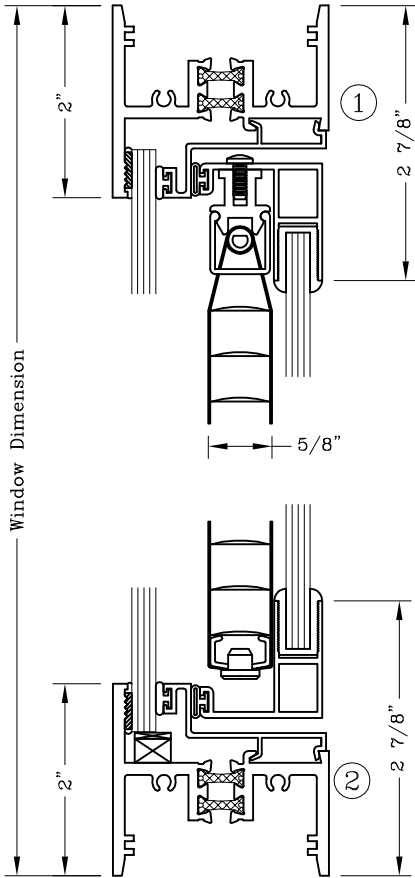


Series: S6500

Manufacturing Code: S6516

Drawing 1/2 Scale - For Custom Size Drawing Contact Graham

Note: Sealant Not Shown On Details. Consult Technical Services At Factory For Sealing Procedures.



ELEVATION

NOTE: Glazing Option Shown On Fixed Window  
Glazing Detail Is Similar For Operable Sash

Optional 5/8" Blind Shown

