

Projected - 3 1/2"

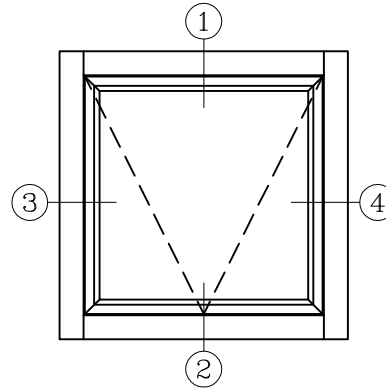
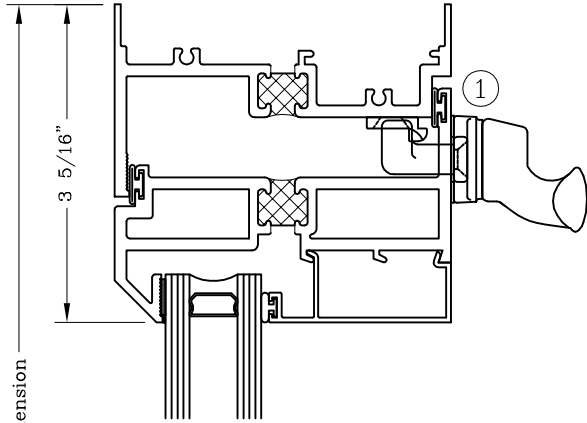


Series: 6800

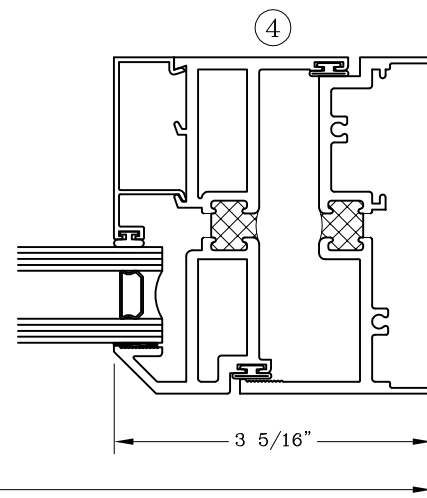
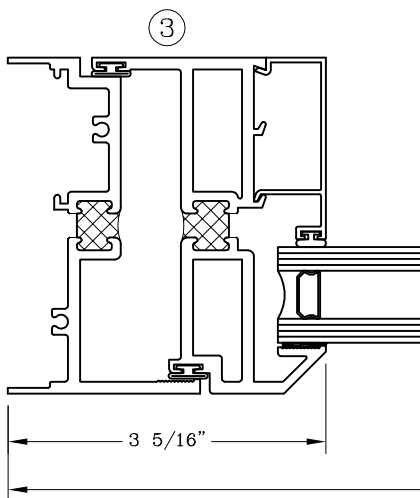
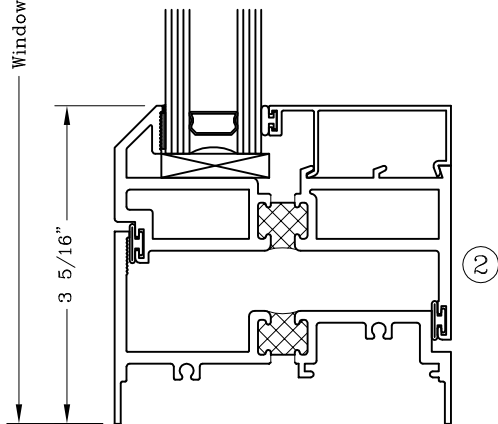
Manufacturing Code: 6801

Drawing 1/2 Scale - For Custom Size Drawing Contact Graham

Note: Sealant Not Shown On Details. Consult Technical Services At Factory For Sealing Procedures.



ELEVATION



Note: Dashed Lines Represent Inswing Vented Units Solid Lines Represent Outswing Vented Units; Lines Converge At Hinge Side Of Vent

Fixed/Projected - 3 1/2"

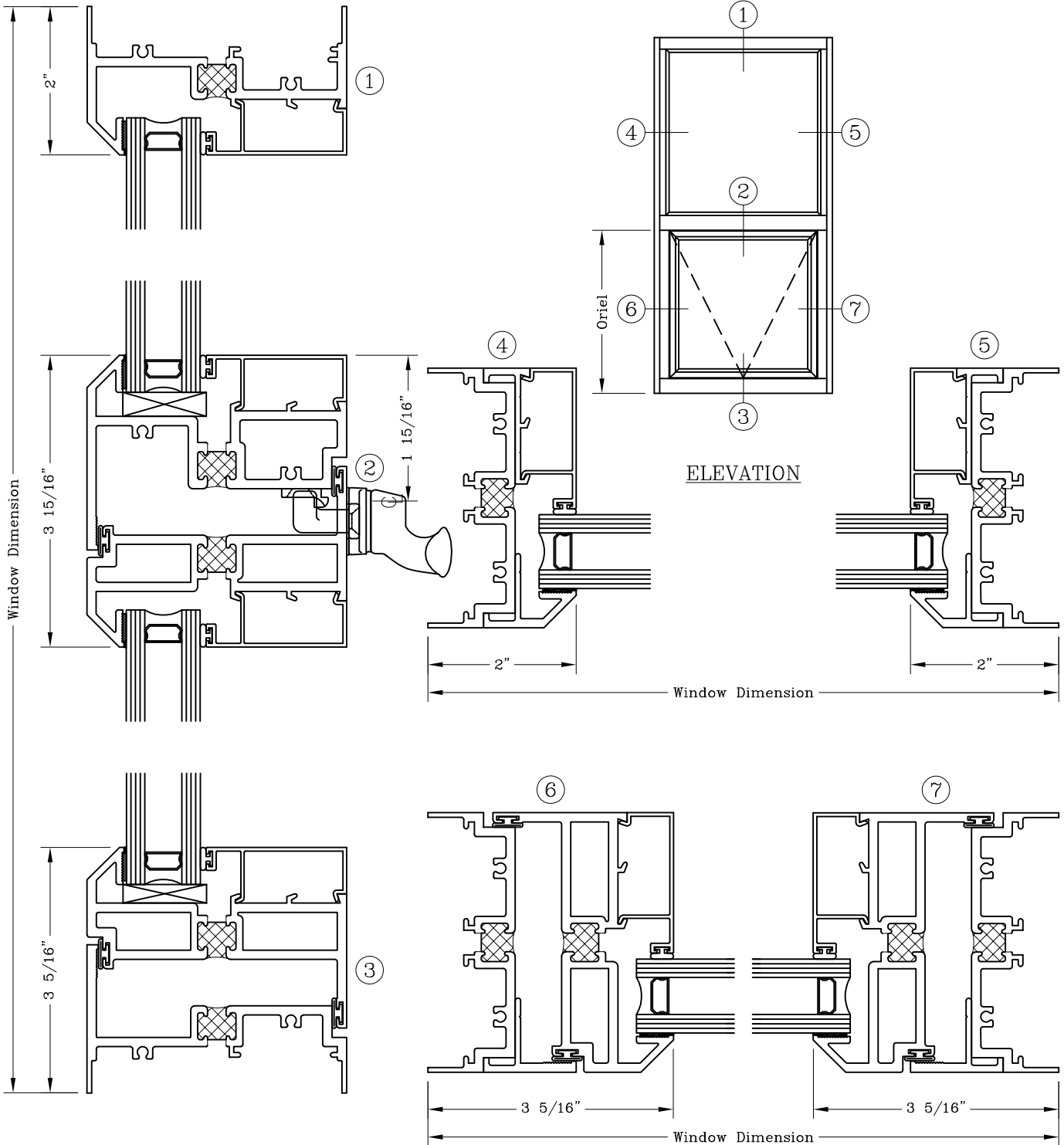


Series: 6800

Manufacturing Code: 6802

Drawing 1/2 Scale - For Custom Size Drawing Contact Graham

Note: Sealant Not Shown On Details. Consult Technical Services At Factory For Sealing Procedures.



Note: Dashed Lines Represent Inswing Vented Units Solid Lines Represent Outswing Vented Units; Lines Converge At Hinge Side Of Vent

Projected/Projected - 3 1/2"

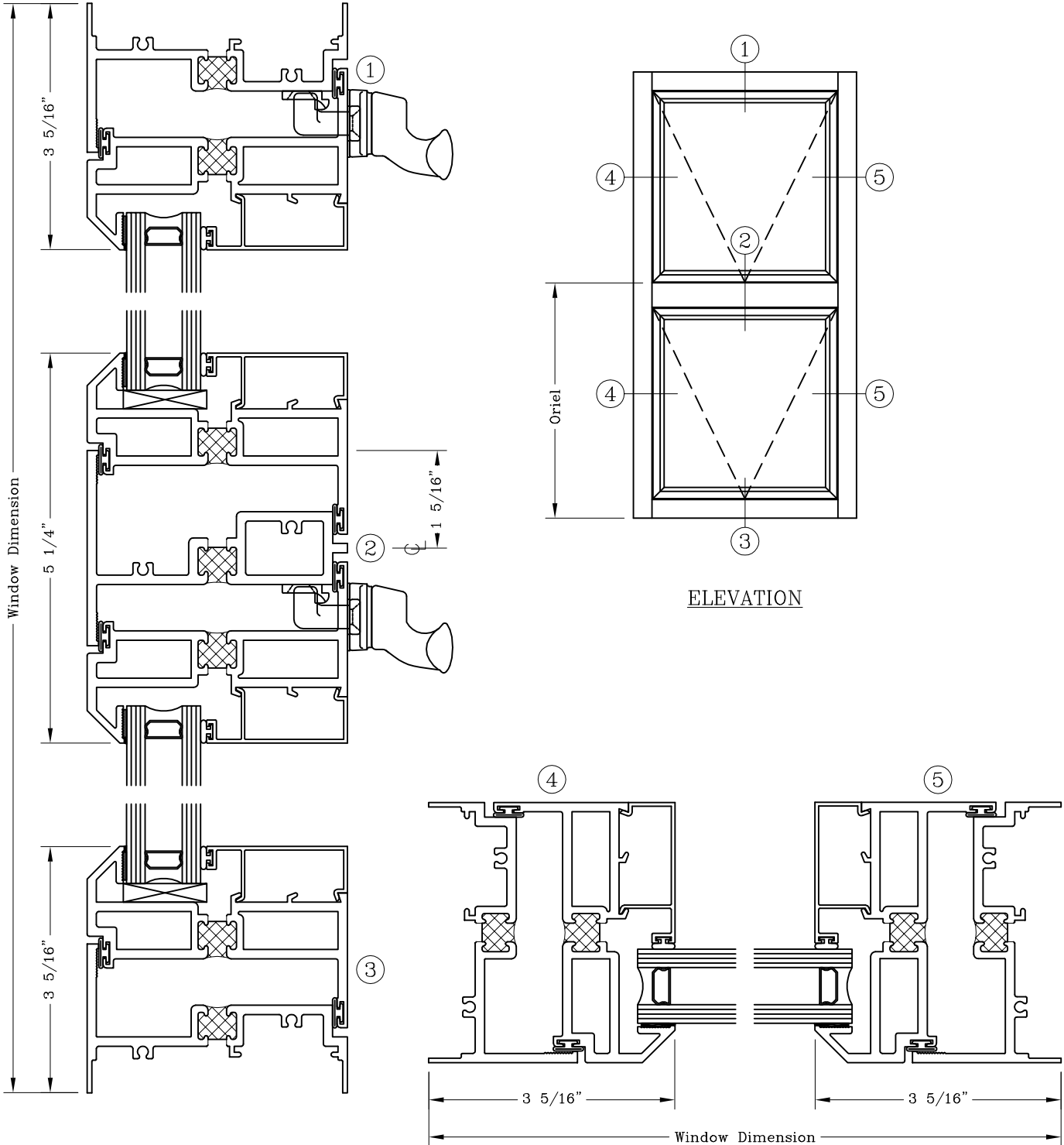


Series: 6800

Manufacturing Code: 6803

Drawing 1/2 Scale - For Custom Size Drawing Contact Graham

Note: Sealant Not Shown On Details. Consult Technical Services At Factory For Sealing Procedures.



Note: Dashed Lines Represent Inswing Vented Units Solid Lines Represent Outswing Vented Units; Lines Converge At Hinge Side Of Vent

Casement - 3 1/2"

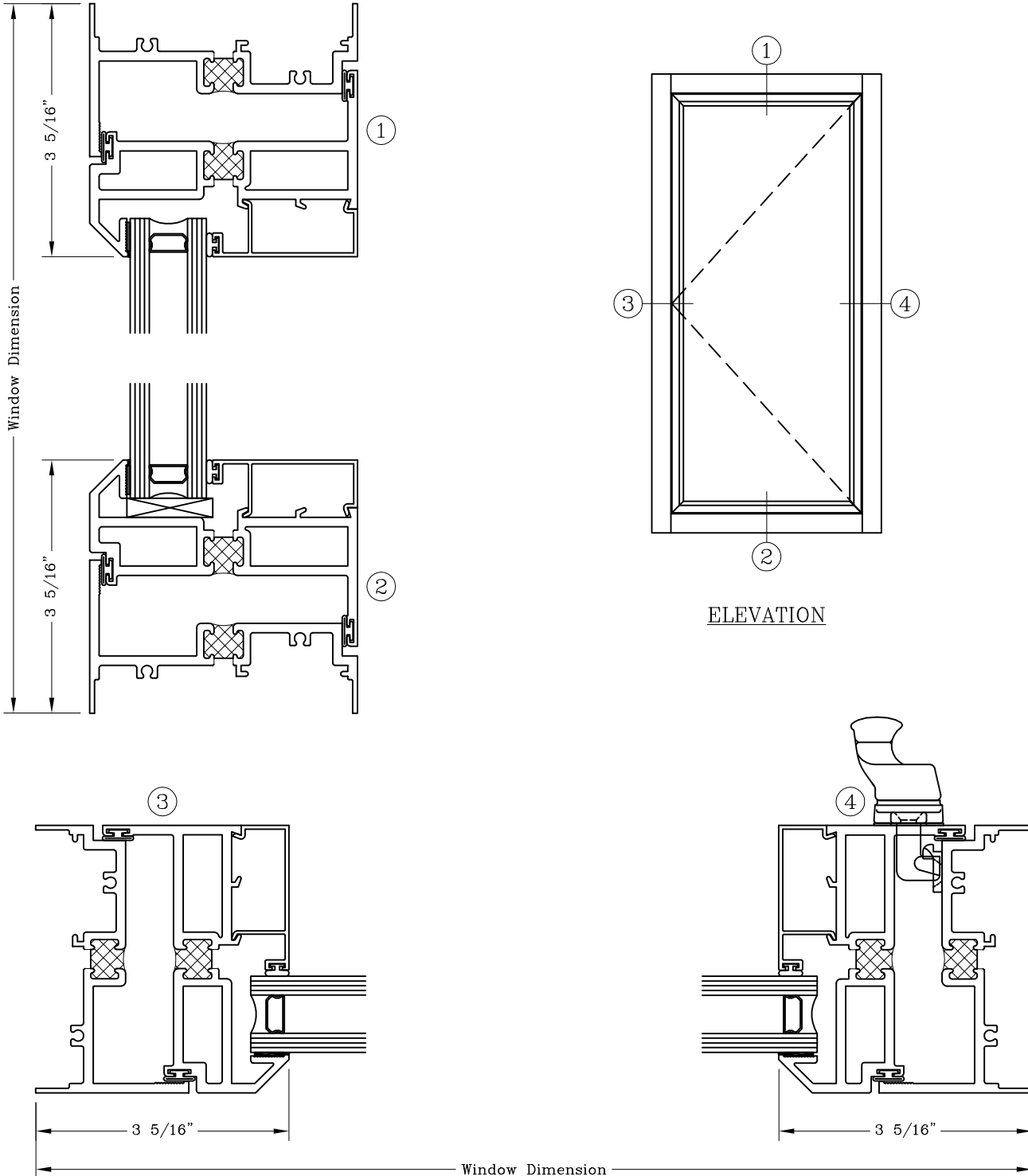


Series: 6800

Manufacturing Code: 6804

Drawing 1/2 Scale - For Custom Size Drawing Contact Graham

Note: Sealant Not Shown On Details. Consult Technical Services At Factory For Sealing Procedures.



Note: Dashed Lines Represent Inswing Vented Units Solid Lines Represent Outswing Vented Units; Lines Converge At Hinge Side Of Vent

Projected - 3 1/2"

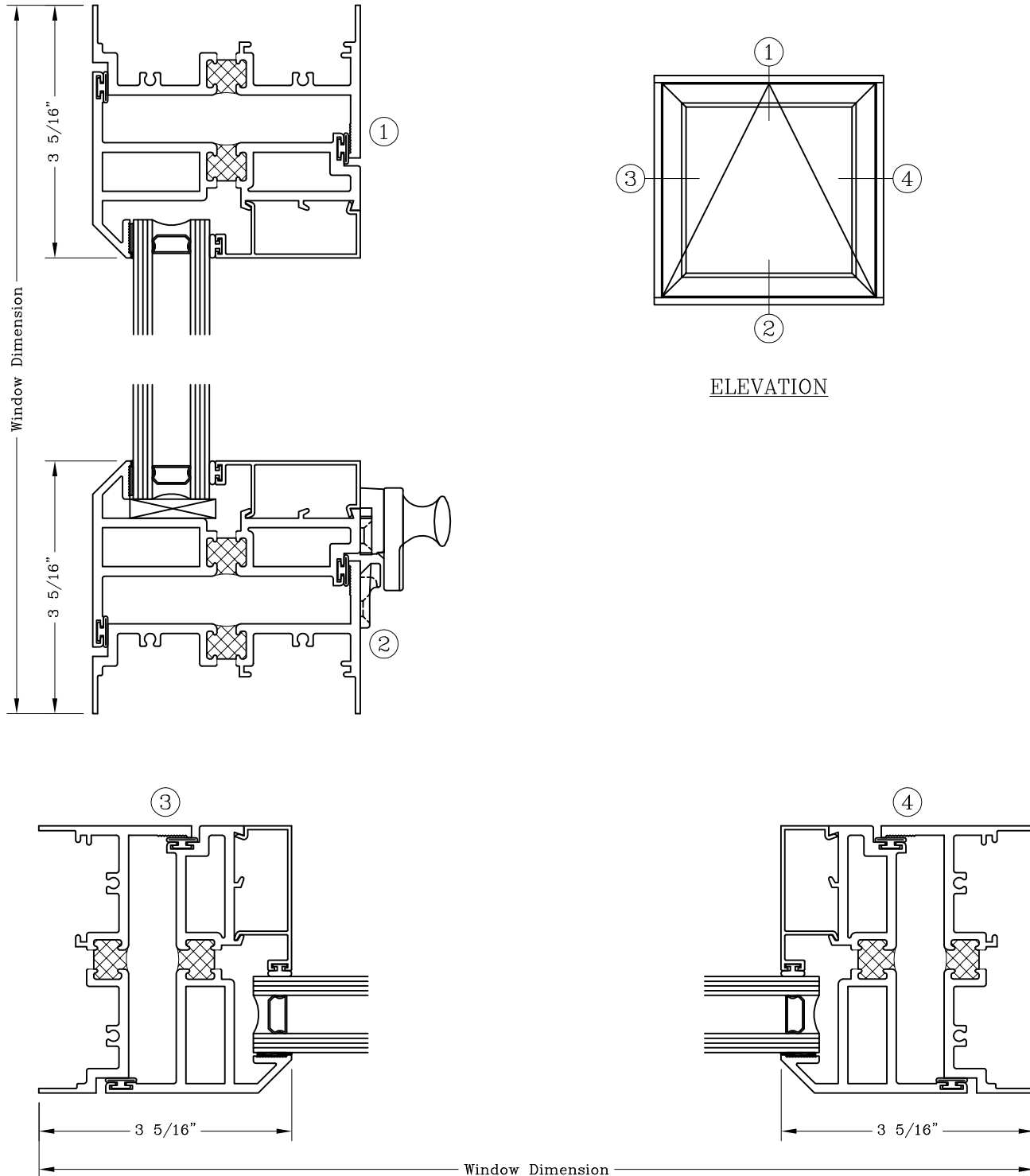


Series: 6800

Manufacturing Code: 6806

Drawing 1/2 Scale - For Custom Size Drawing Contact Graham

Note: Sealant Not Shown On Details. Consult Technical Services At Factory For Sealing Procedures.



Note: Dashed Lines Represent Inswing Vented Units Solid Lines Represent Outswing Vented Units; Lines Converge At Hinge Side Of Vent

Fixed/Projected - 3 1/2"

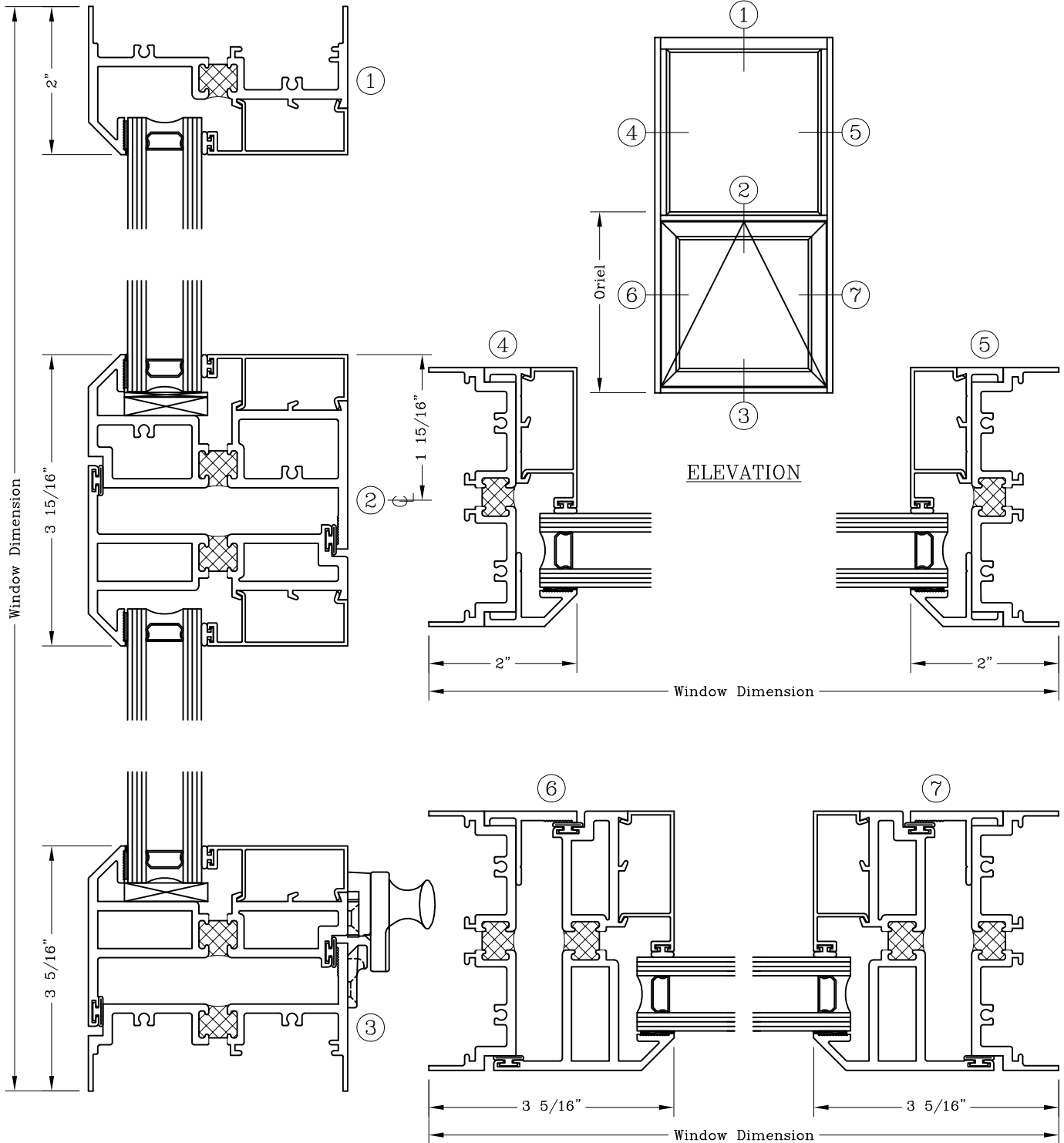


Series: 6800

Manufacturing Code: 6807

Drawing 1/2 Scale - For Custom Size Drawing Contact Graham

Note: Sealant Not Shown On Details. Consult Technical Services At Factory For Sealing Procedures.



Note: Dashed Lines Represent Inswing Vented Units Solid Lines Represent Outswing Vented Units; Lines Converge At Hinge Side Of Vent

Projected/Projected - 3 1/2"

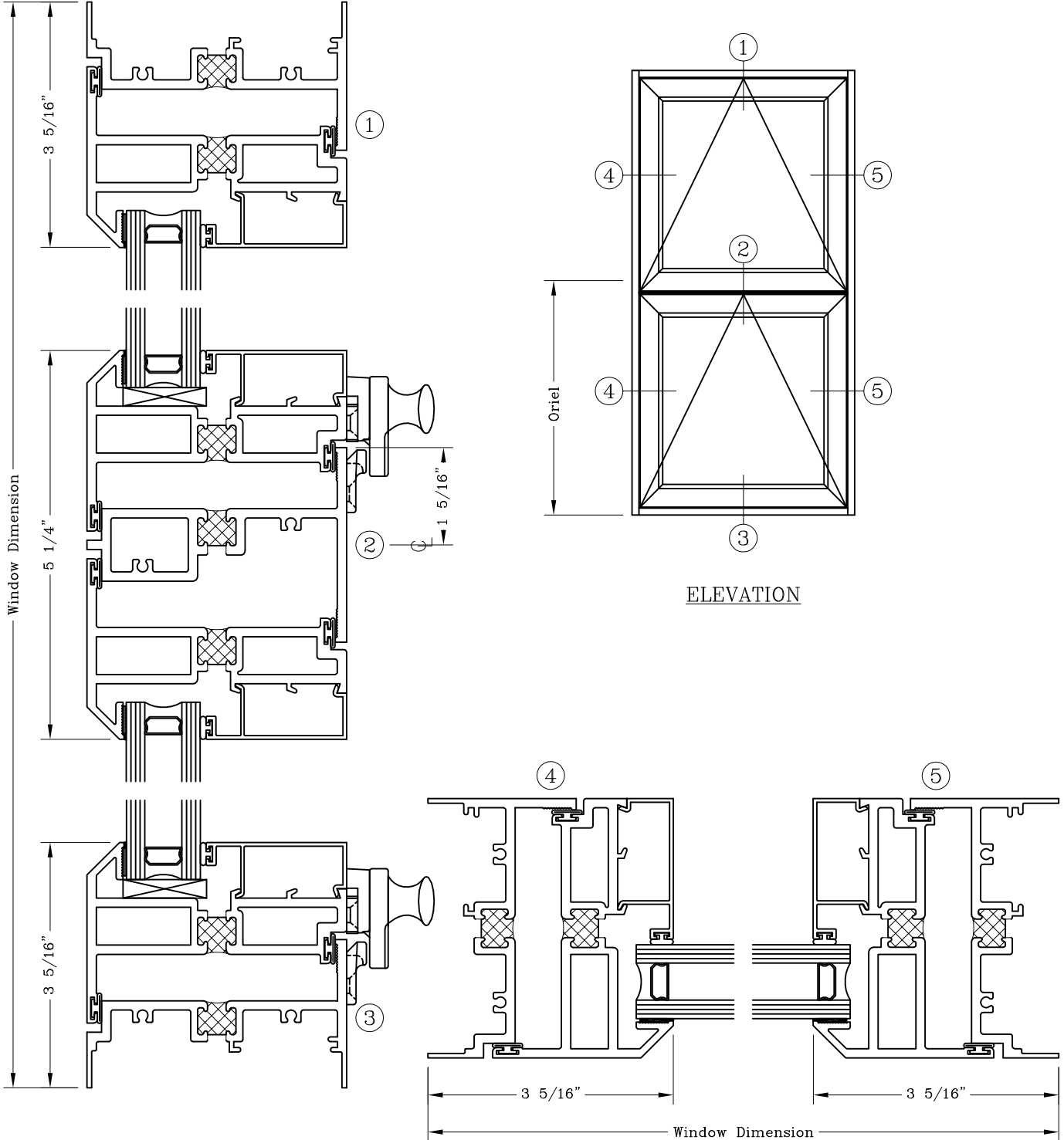


Series: 6800

Manufacturing Code: 6808

Drawing 1/2 Scale - For Custom Size Drawing Contact Graham

Note: Sealant Not Shown On Details. Consult Technical Services At Factory For Sealing Procedures.



Note: Dashed Lines Represent Inswing Vented Units Solid Lines Represent Outswing Vented Units; Lines Converge At Hinge Side Of Vent

Casement - 3 1/2"

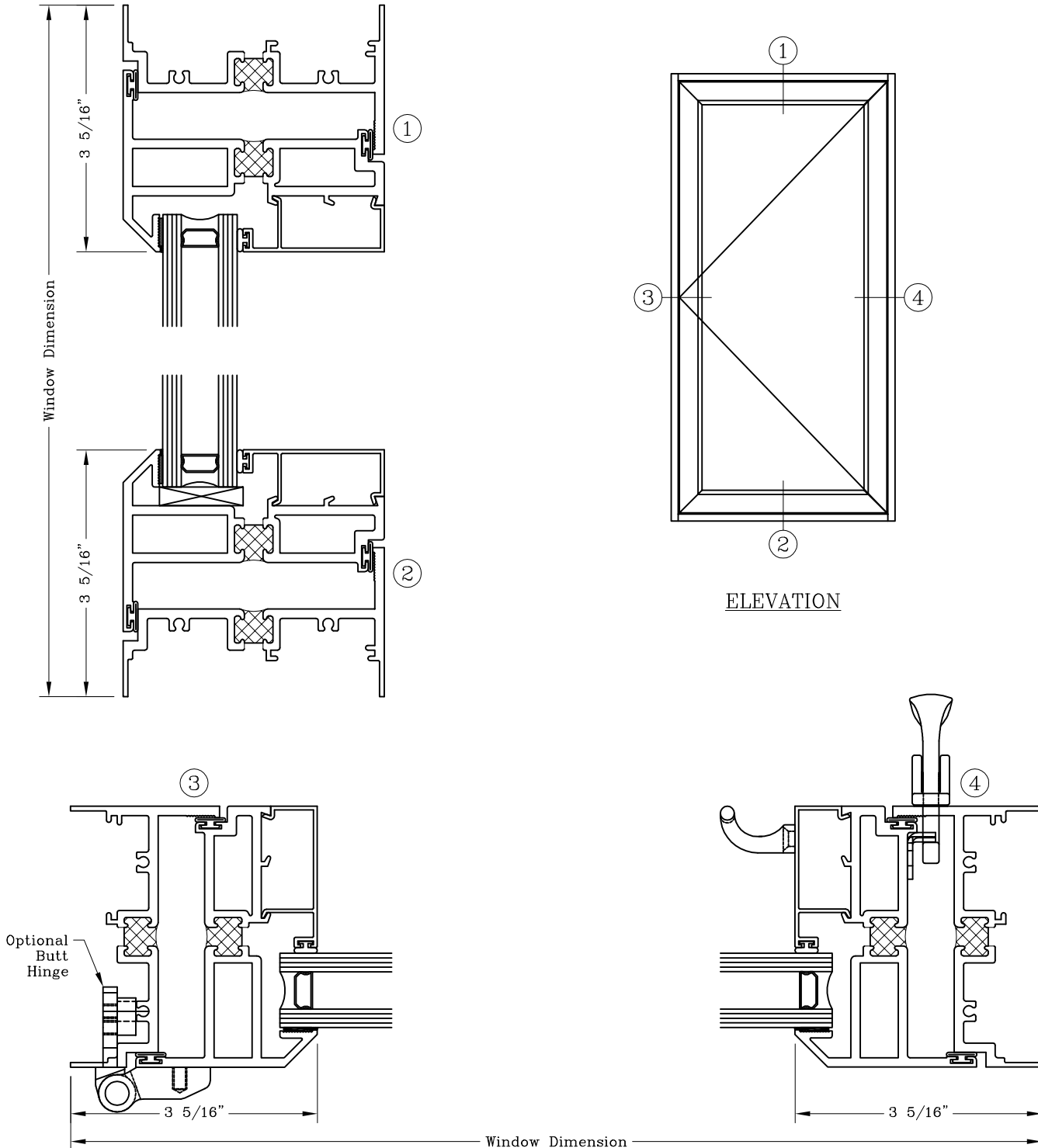


Series: 6800

Manufacturing Code: 6809

Drawing 1/2 Scale - For Custom Size Drawing Contact Graham

Note: Sealant Not Shown On Details. Consult Technical Services At Factory For Sealing Procedures.



ELEVATION

Note: Dashed Lines Represent Inswing Vented Units Solid Lines Represent Outswing Vented Units; Lines Converge At Hinge Side Of Vent

Fixed/Casement - 3 1/2"

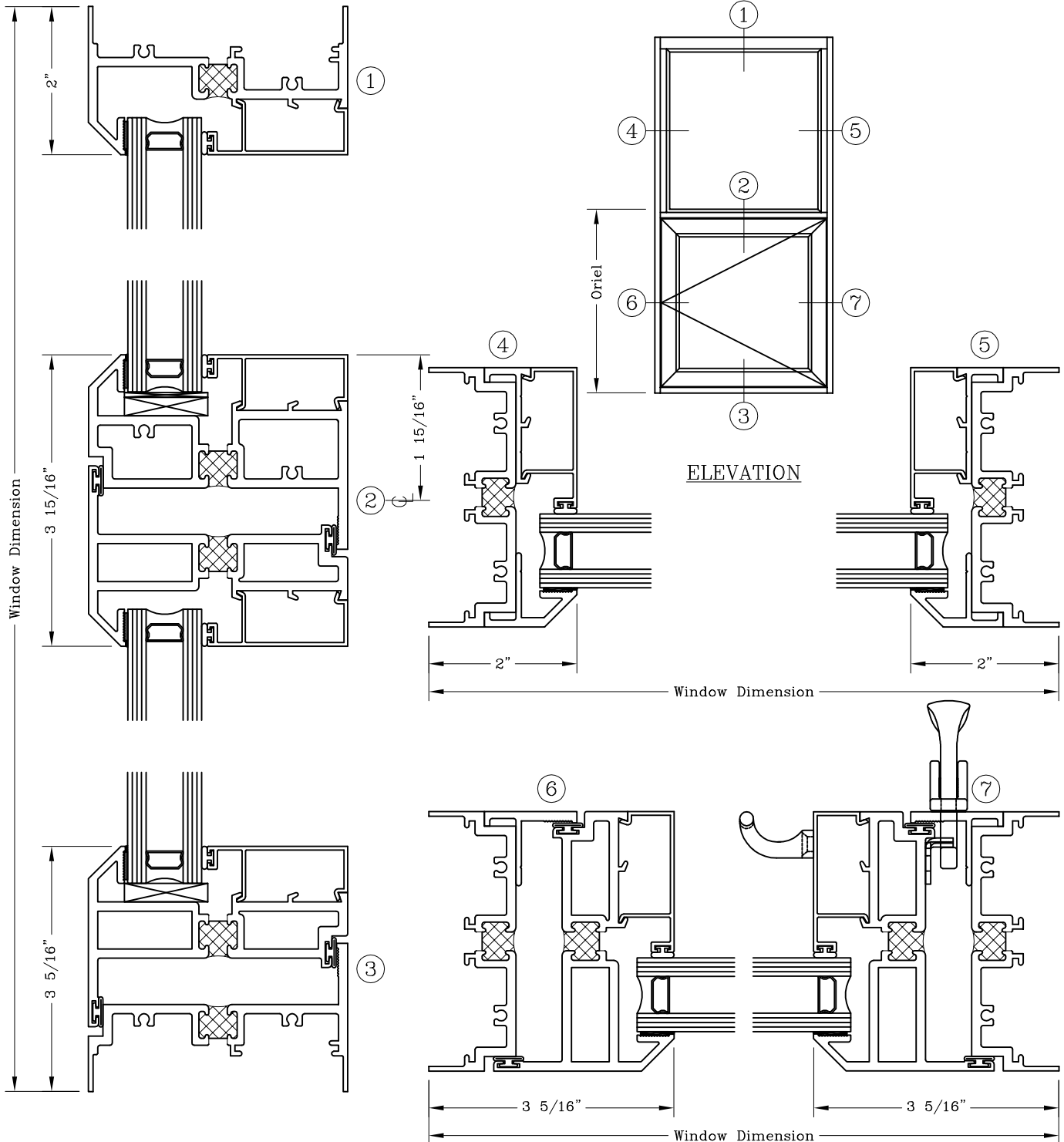


Series: 6800

Manufacturing Code: 6810

Drawing 1/2 Scale - For Custom Size Drawing Contact Graham

Note: Sealant Not Shown On Details. Consult Technical Services At Factory For Sealing Procedures.



Note: Dashed Lines Represent Inswing Vented Units Solid Lines Represent Outswing Vented Units; Lines Converge At Hinge Side Of Vent

Fixed - 3 1/2"

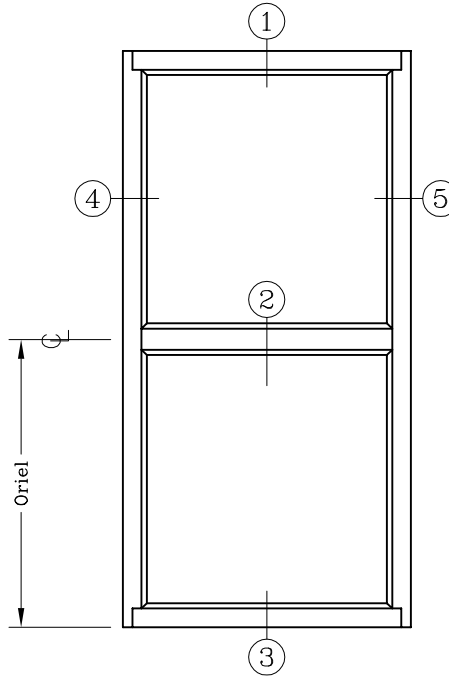
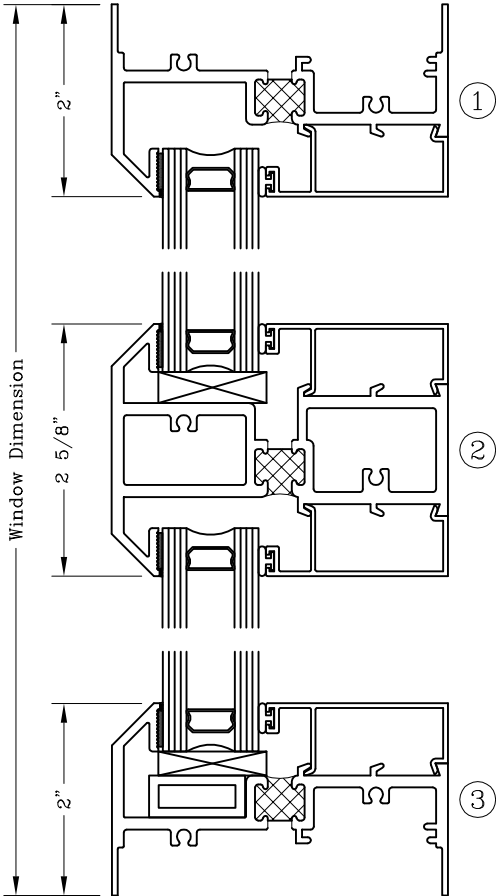


Series: 6800

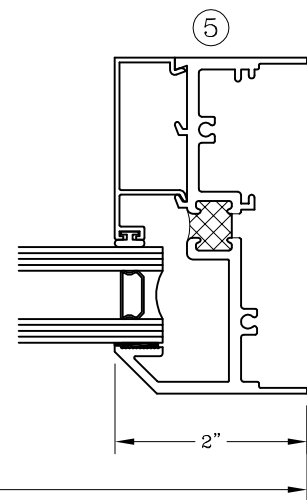
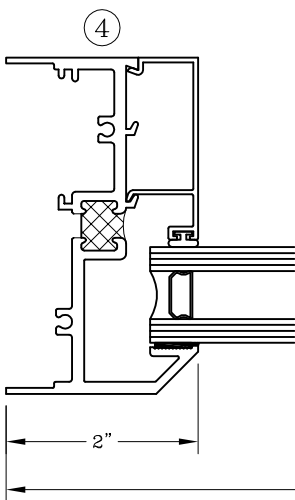
Manufacturing Code: 6811

Drawing 1/2 Scale - For Custom Size Drawing Contact Graham

Note: Sealant Not Shown On Details. Consult Technical Services At Factory For Sealing Procedures.



ELEVATION



Window Dimension

Projected/Projected - 3 1/2"

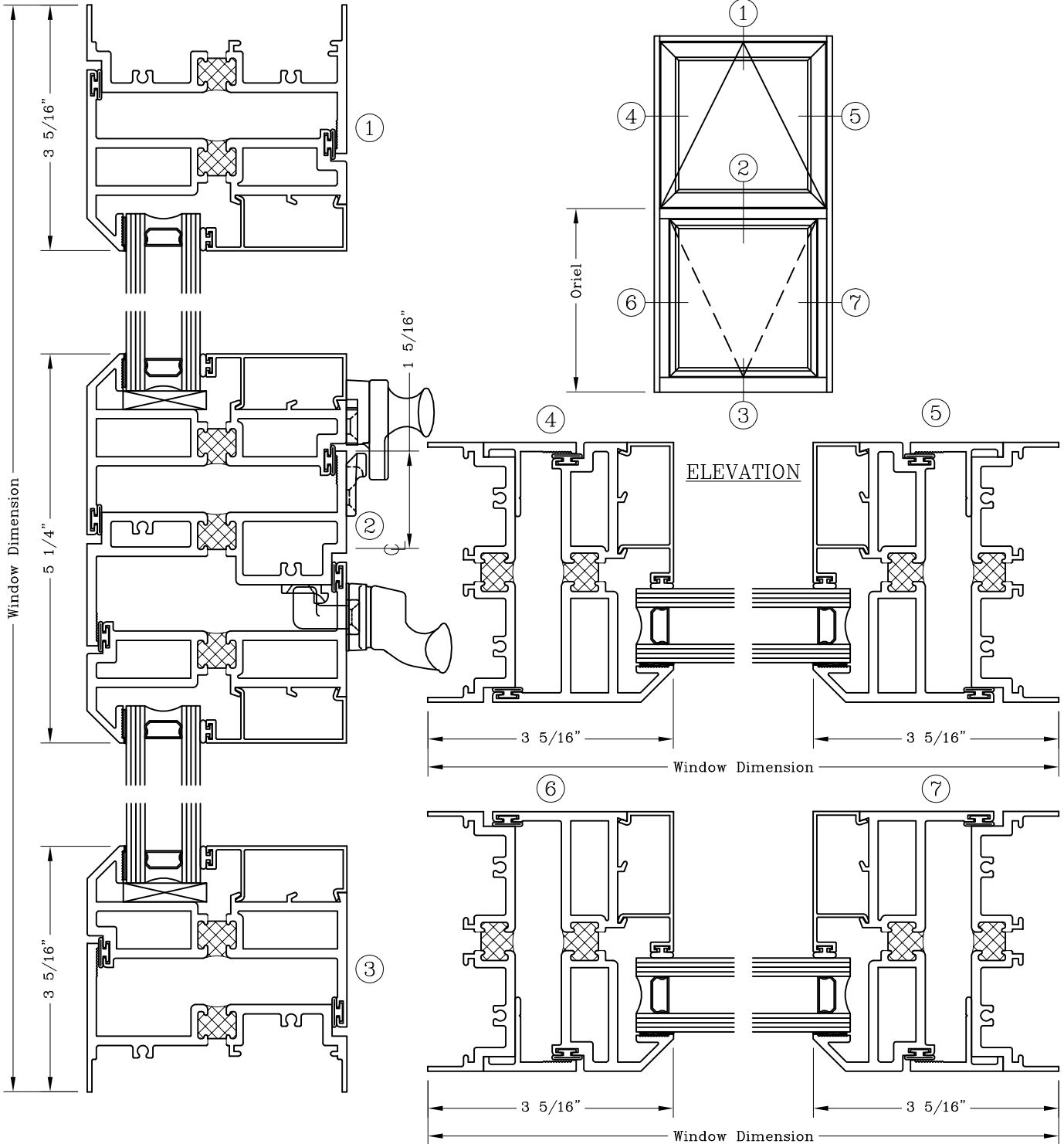


Series: 6800

Manufacturing Code: 6812

Drawing 1/2 Scale - For Custom Size Drawing Contact Graham

Note: Sealant Not Shown On Details. Consult Technical Services At Factory For Sealing Procedures.



Note: Dashed Lines Represent Inswing Vented Units Solid Lines Represent Outswing Vented Units; Lines Converge At Hinge Side Of Vent

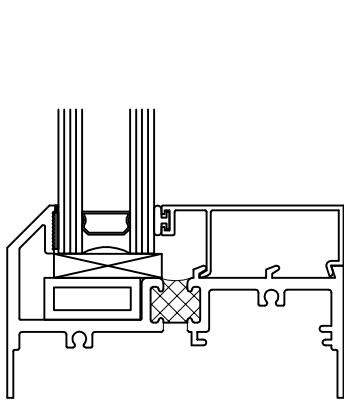
Glazing Options - 3 1/2"



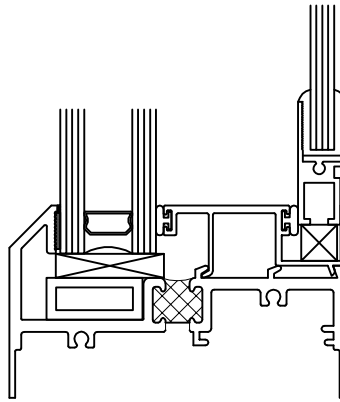
Series: 6800

Drawing 1/2 Scale - For Custom Size Drawing Contact Graham

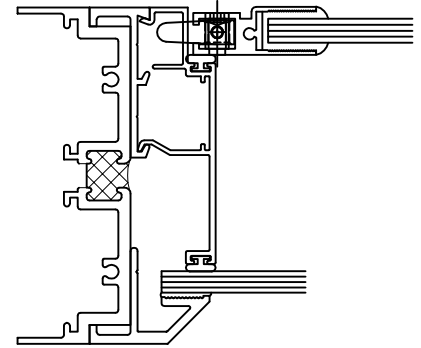
Note: Sealant Not Shown On Details. Consult Technical Services At Factory For Sealing Procedures.



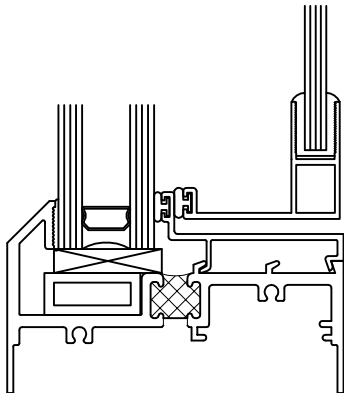
1" IG
Glazing Bead
#680090



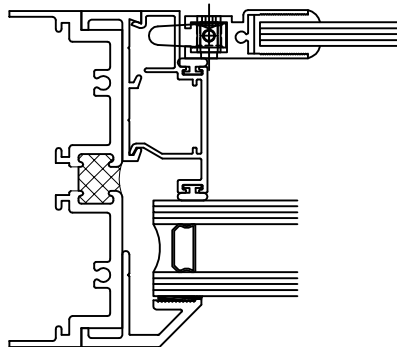
Lift-In Guardian
Horizontal Glazing Bead
#680080



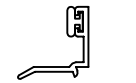
Lift-In Guardian 1/4" Glaze
Vertical Glazing Bead
#680083



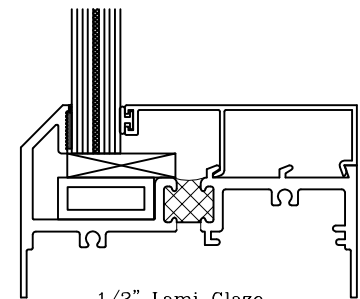
1" IG Pivot Guardian
Glazing Bead
#680042



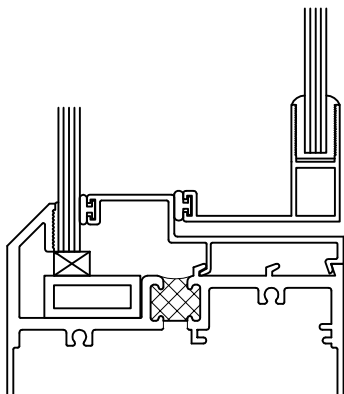
Lift-In Guardian
Vertical Glazing Bead
#680081



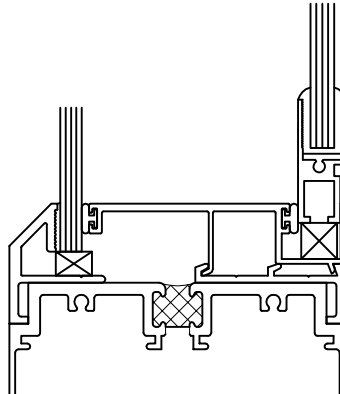
Panel
Glazing Bead
#680094



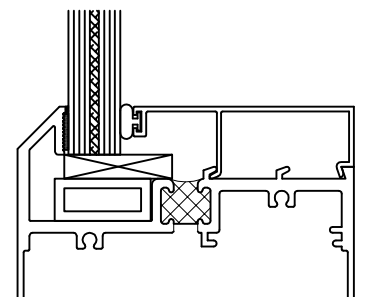
1/2" Lami Glaze
Glazing Bead
#680095



1/4" Glaze Pivot Guardian
Glazing Bead
#680044



Lift-In Guardian 1/4" Glaze
Horizontal Glazing Bead
#680082



9/16" Lami Glaze
Glazing Bead
#680096

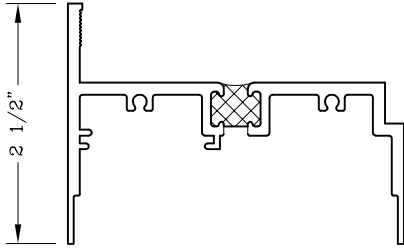
Frame Options - 3 1/2"



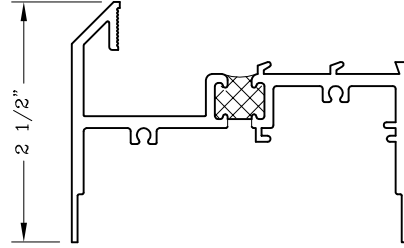
Series: 6800

Drawing 1/2 Scale - For Custom Size Drawing Contact Graham

Note: Sealant Not Shown On Details. Consult Technical Services At Factory For Sealing Procedures.

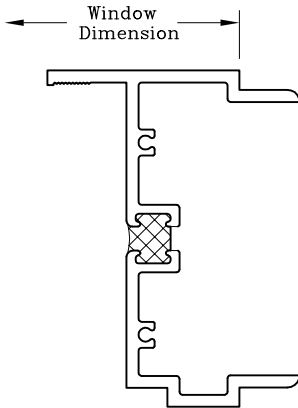


Inswing/Outswing Head, Jamb, and Sill
#680018

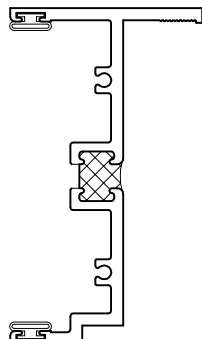


Fixed Head, Jamb, and Sill
#680010

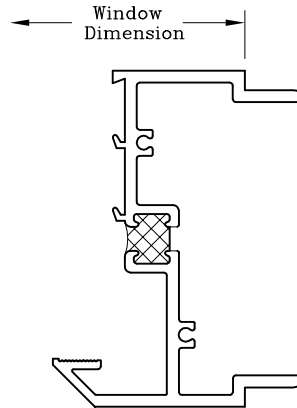
Extended Leg Frame Options For Panning And Receptor Applications



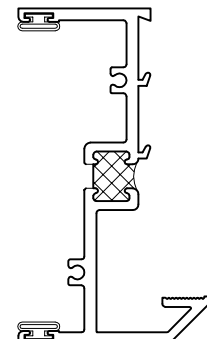
Male Slip Mullion
Inswing/Outswing Jamb
#680023



Female Slip Mullion
Inswing/Outswing Jamb
#680022

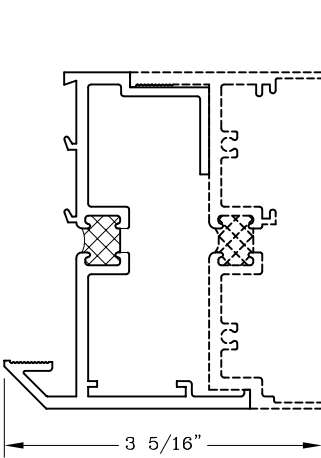


Male Slip Mullion
Fixed Jamb
#680031

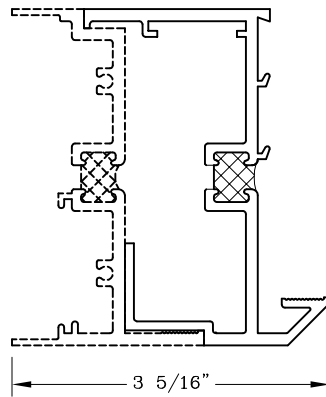


Female Slip Mullion
Fixed Jamb
#680030

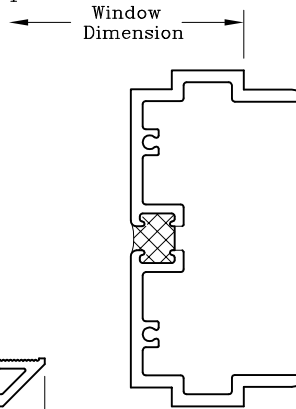
Slip Mullion Jamb Options



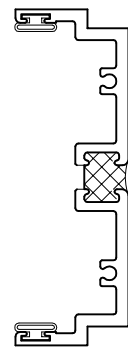
Outswing Fixed
Sightline Adapter
#680007



Inswing Fixed
Sightline Adapter
#680017



Universal Male
Slip Mullion
#680036



Universal Female
Slip Mullion
#680035

Fixed Sightline Adapters

For Equal Sightline Appearance Between Fixed And Operable Portions Of Window Assembly

1551 Mt. Rose Avenue, York, Pennsylvania 17403-2909 • 800/755-6274 • Fax: 800/366-5097

Web Site: www.grahamwindows.com

Universal Jamb Options

Lift-In Guardian Detail - 3 1/2"

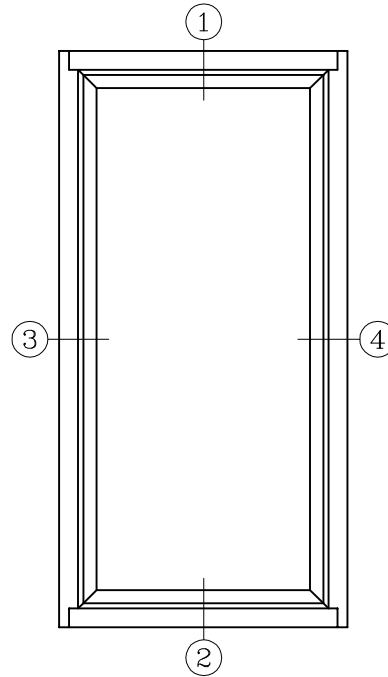
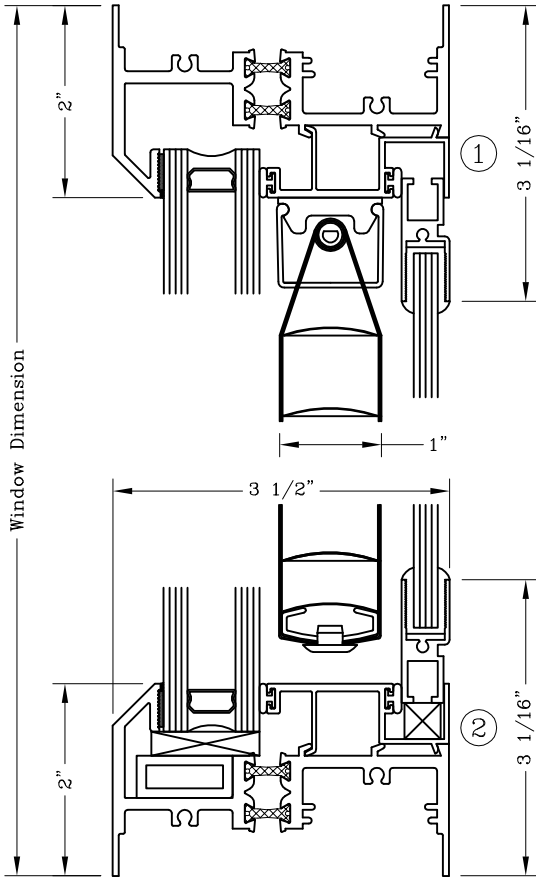


Series: 6800

Manufacturing Code: 6815

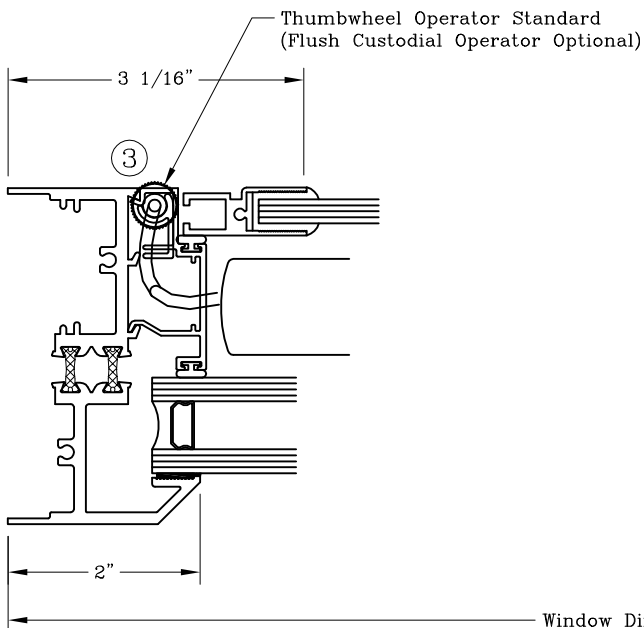
Drawing 1/2 Scale - For Custom Size Drawing Contact Graham

Note: Sealant Not Shown On Details. Consult Technical Services At Factory For Sealing Procedures.

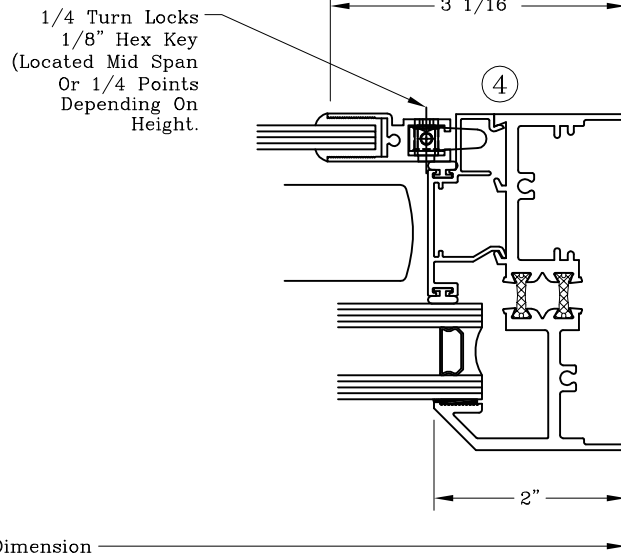


ELEVATION

NOTE: Glazing Option Shown On Fixed Window
Glazing Detail Is Similar For Operable Sash



Optional 1" Blind Shown



Pivot Guardian Detail - 3 1/2"

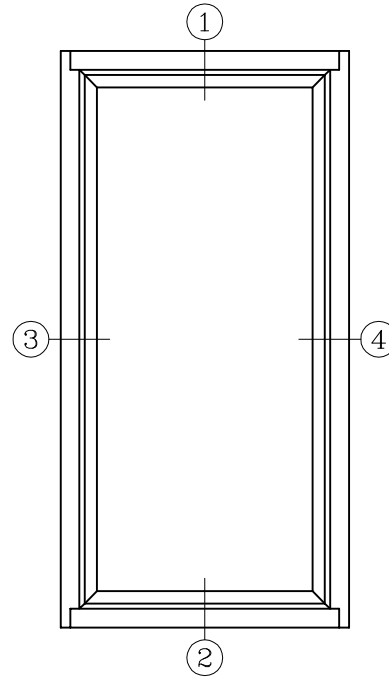
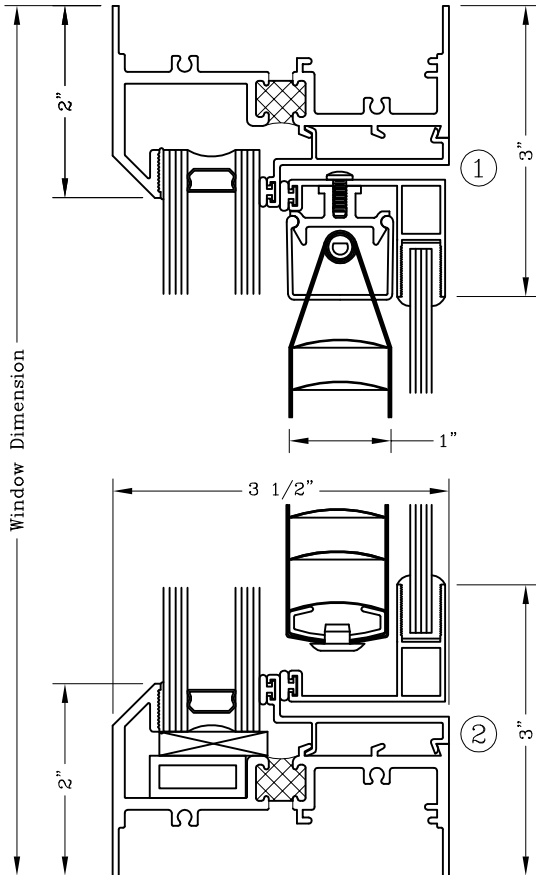


Series: 6800

Manufacturing Code: 6816

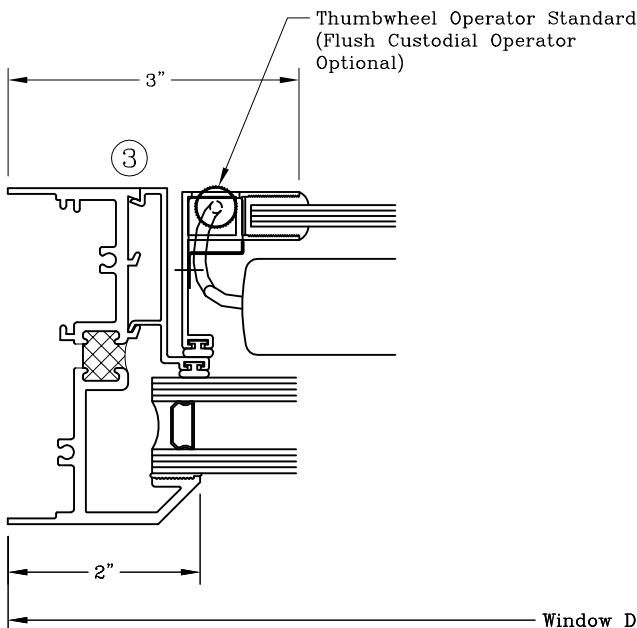
Drawing 1/2 Scale - For Custom Size Drawing Contact Graham

Note: Sealant Not Shown On Details. Consult Technical Services At Factory For Sealing Procedures.



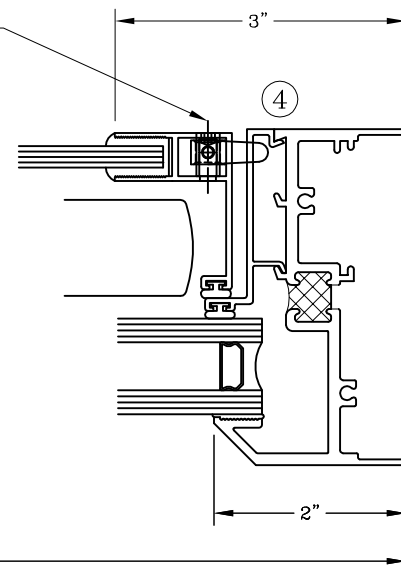
ELEVATION

NOTE: Glazing Option Shown On Fixed Window
Glazing Detail Is Similar For Operable Sash



Optional 1" Blind Shown

1/4 Turn Locks
1/8" Hex Key
(Located Mid Span
Or 1/4 Points
Depending On
Height.)



Fixed Offset - 3 1/2"

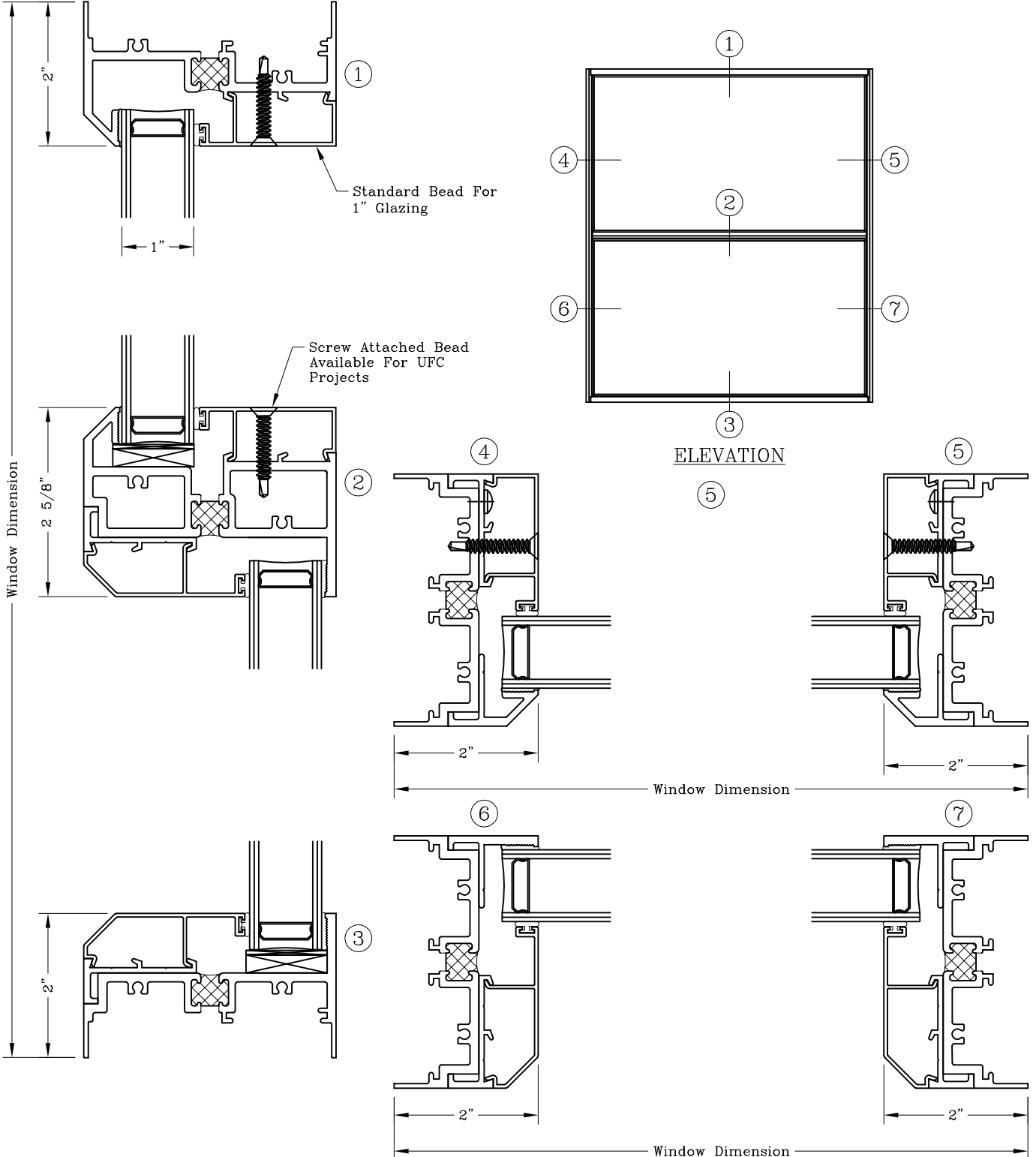


Series: 6800

Manufacturing Code: 6817

Drawing 1/2 Scale - For Custom Size Drawing Contact Graham

Note: Sealant Not Shown On Details. Consult Technical Services At Factory For Sealing Procedures.



Casement - 3 1/2"
Anti-Removal Guardian
Inswing

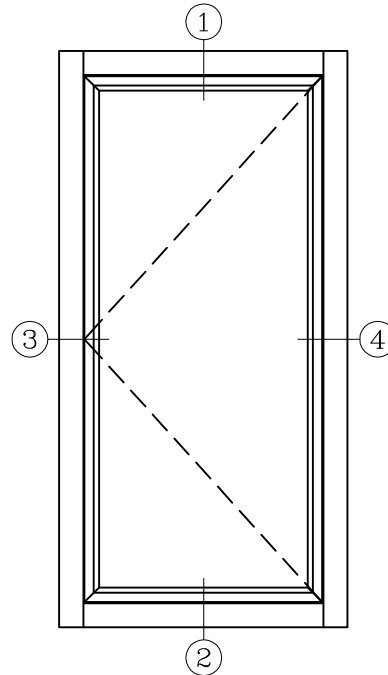
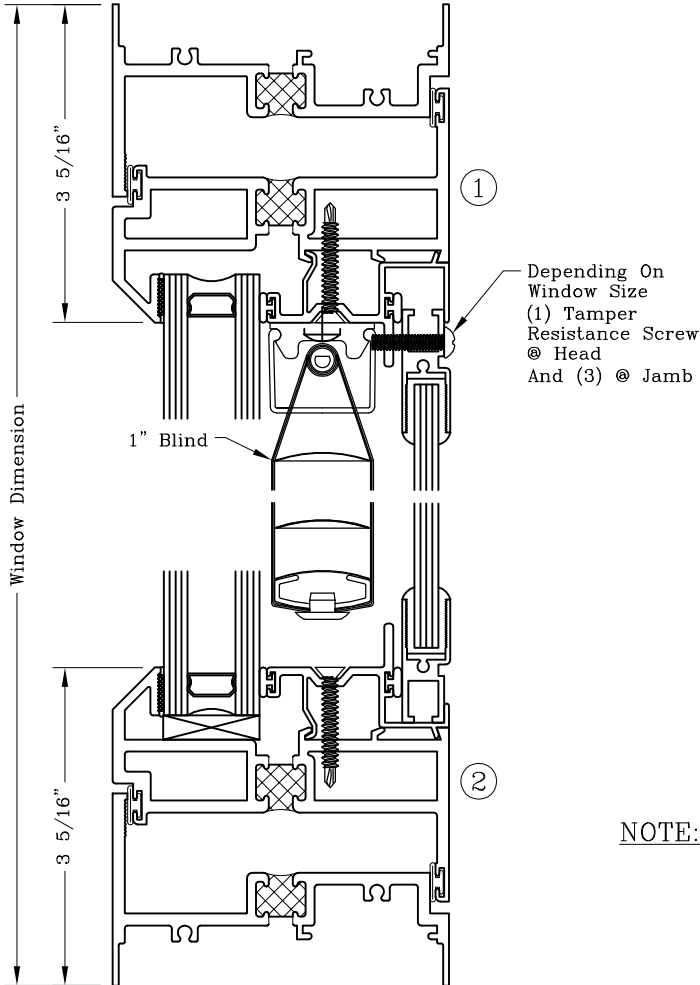


Series: 6800

Manufacturing Code: 6818

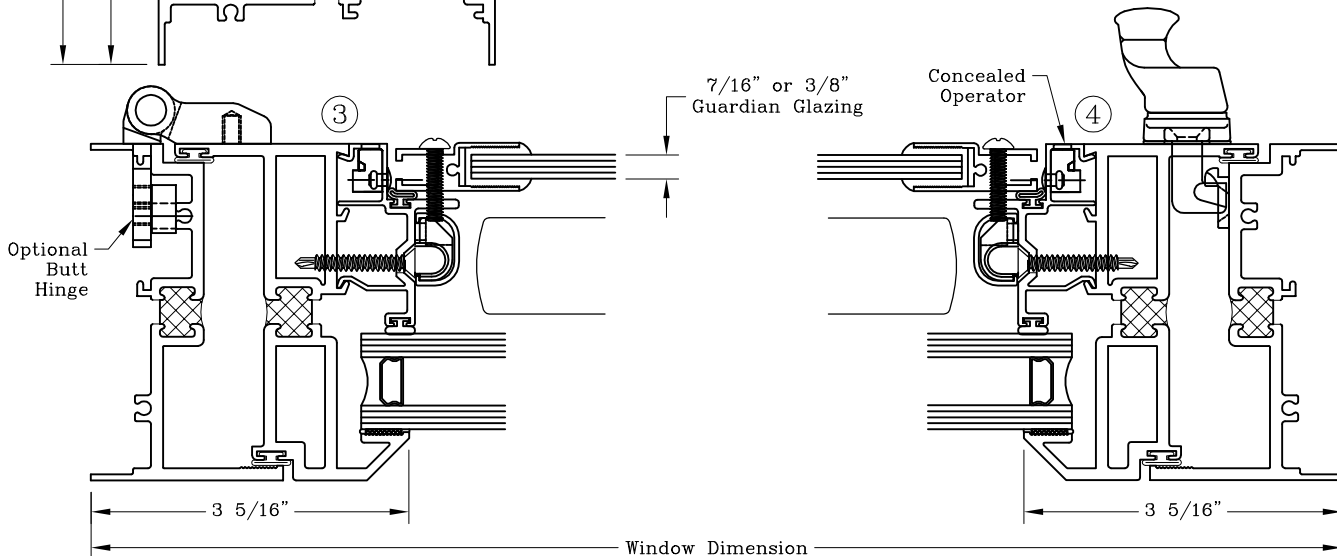
Drawing 1/2 Scale - For Custom Size Drawing Contact Graham

Note: Sealant Not Shown On Details. Consult Technical Services At Factory For Sealing Procedures.



ELEVATION

NOTE: Optional 1" Blind Shown, For Additional Options Refer To Blind Options Sheet 68_25



Note: Dashed Lines Represent Inswing Vented Units Solid Lines Represent Outswing Vented Units; Lines Converge At Hinge Side Of Vent

Casement - 3 1/2"
 Anti-Removal Guardian
 Outswing

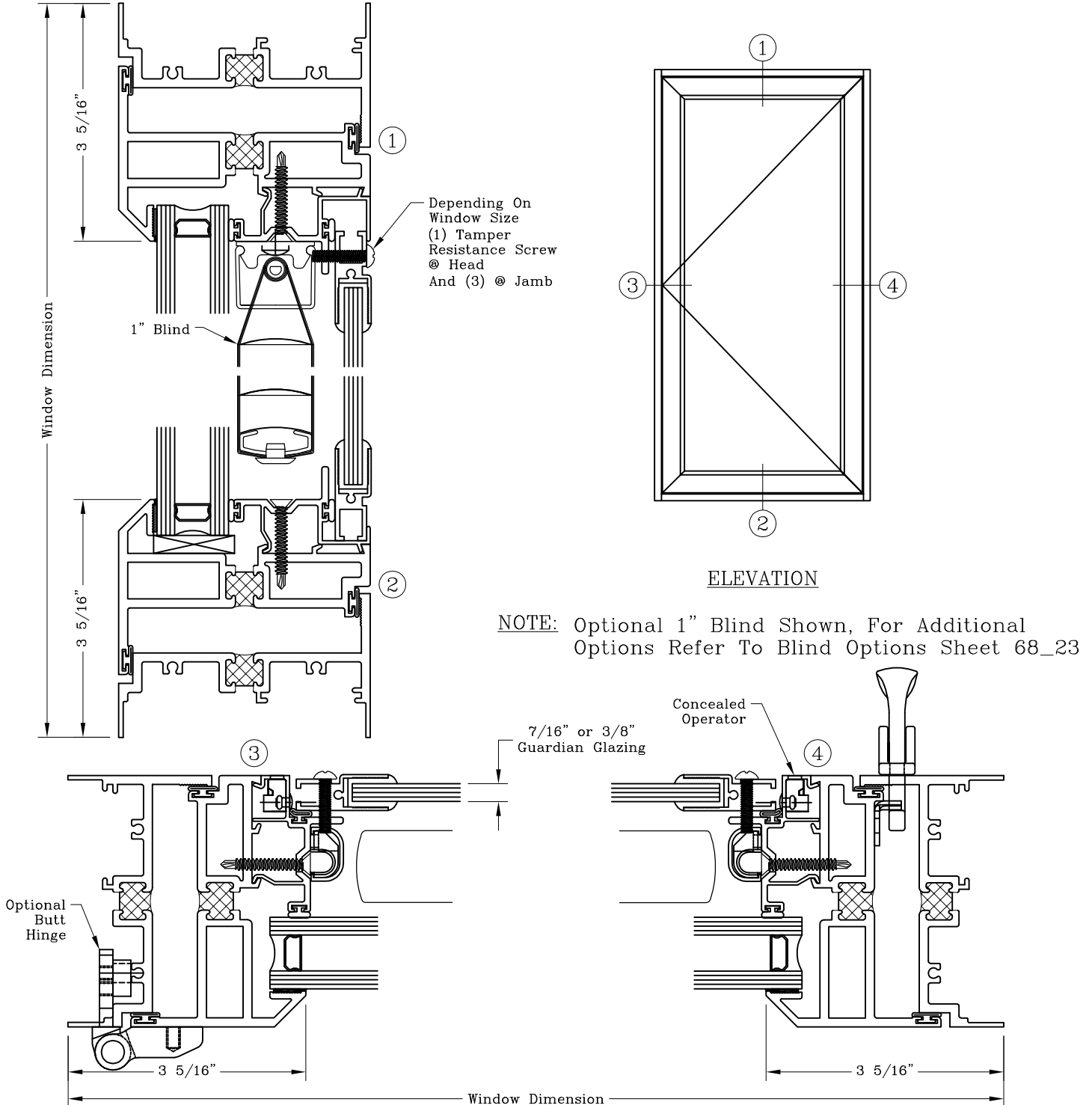


Series: 6800

Manufacturing Code: 6819

Drawing 1/2 Scale - For Custom Size Drawing Contact Graham

Note: Sealant Not Shown On Details. Consult Technical Services At Factory For Sealing Procedures.



NOTE: Optional 1" Blind Shown, For Additional Options Refer To Blind Options Sheet 68_23

Note: Dashed Lines Represent Inswing Vented Units Solid Lines Represent Outswing Vented Units; Lines Converge At Hinge Side Of Vent

Fixed/Projected - 4 3/4" Offset Fixed/Operable

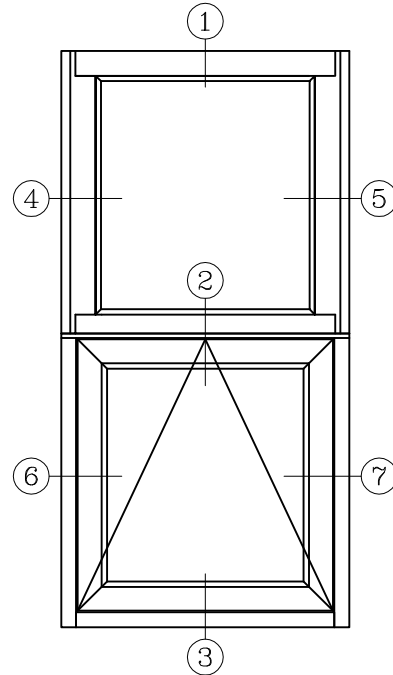
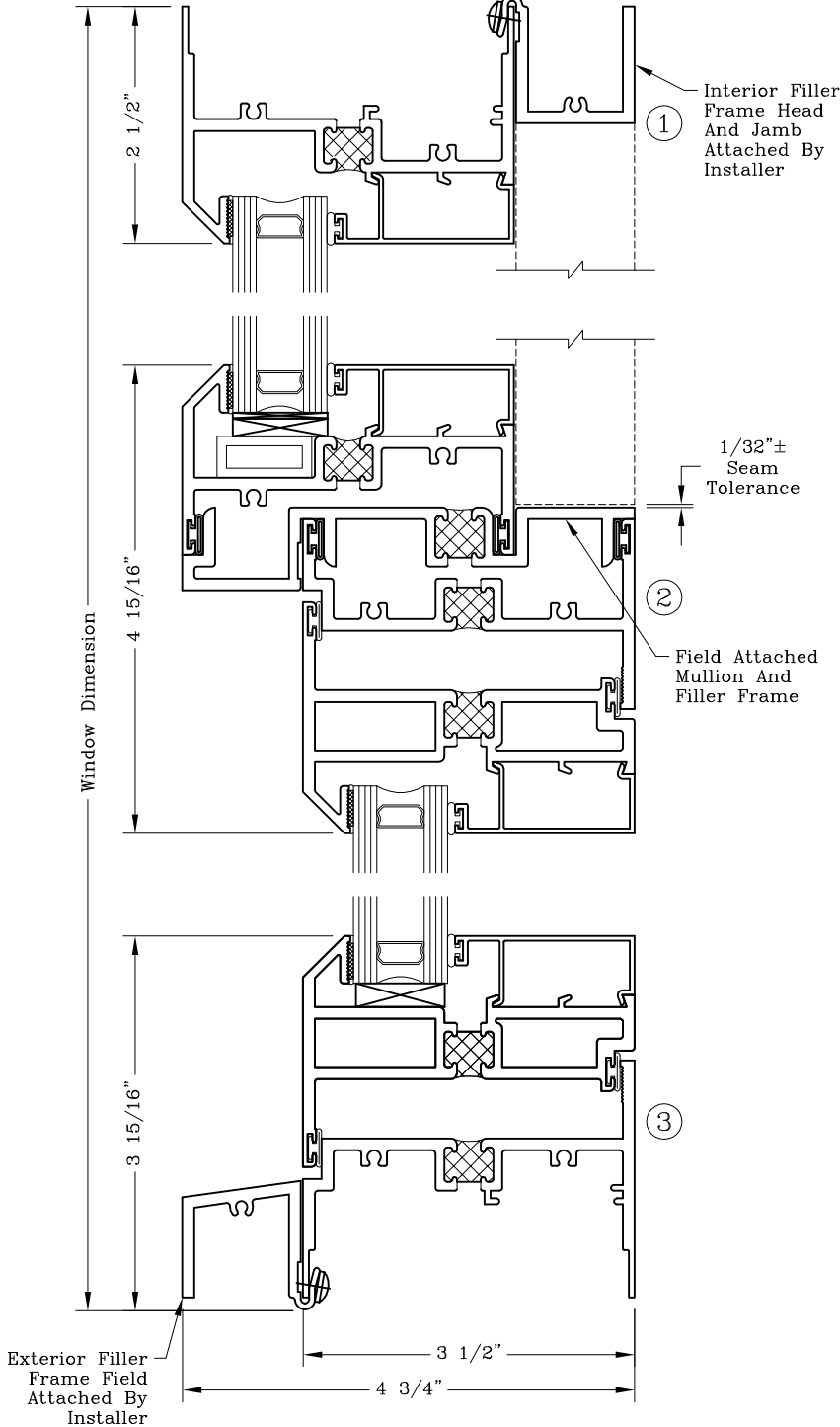


Series: 6800

Manufacturing Code: 6820

Drawing 1/2 Scale - For Custom Size Drawing Contact Graham

Note: Sealant Not Shown On Details. Consult Technical Services At Factory For Sealing Procedures.



ELEVATION

Notes:

- For Jamb Details - Reference Sheet 68_20B
- This Window Installs As (2)Two Windows

Fixed/Projected - 4 3/4"
 Offset Fixed/Operable

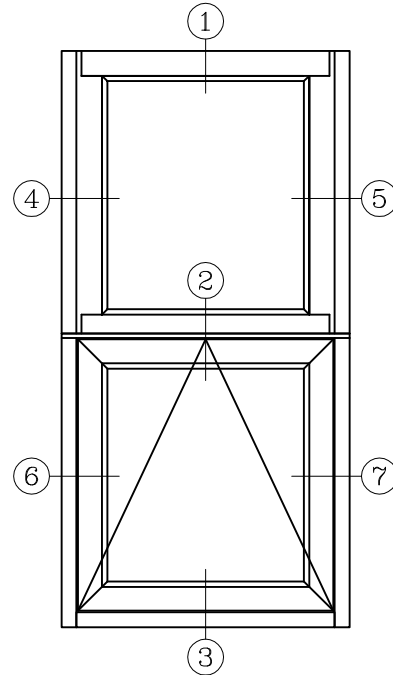
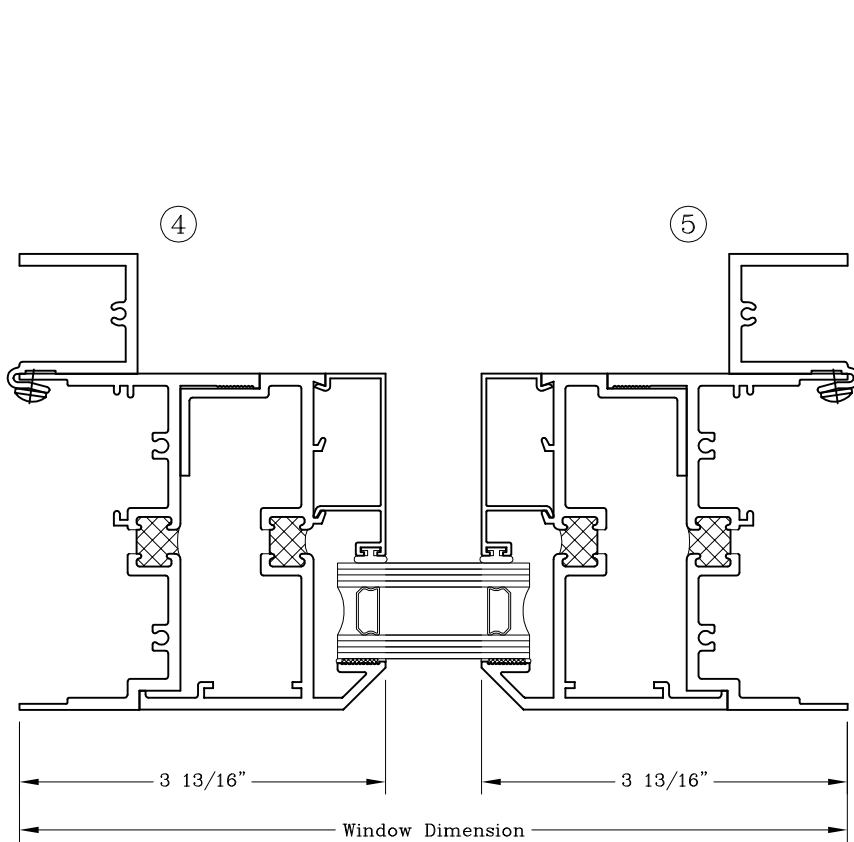


Series: 6800

Manufacturing Code: 6820

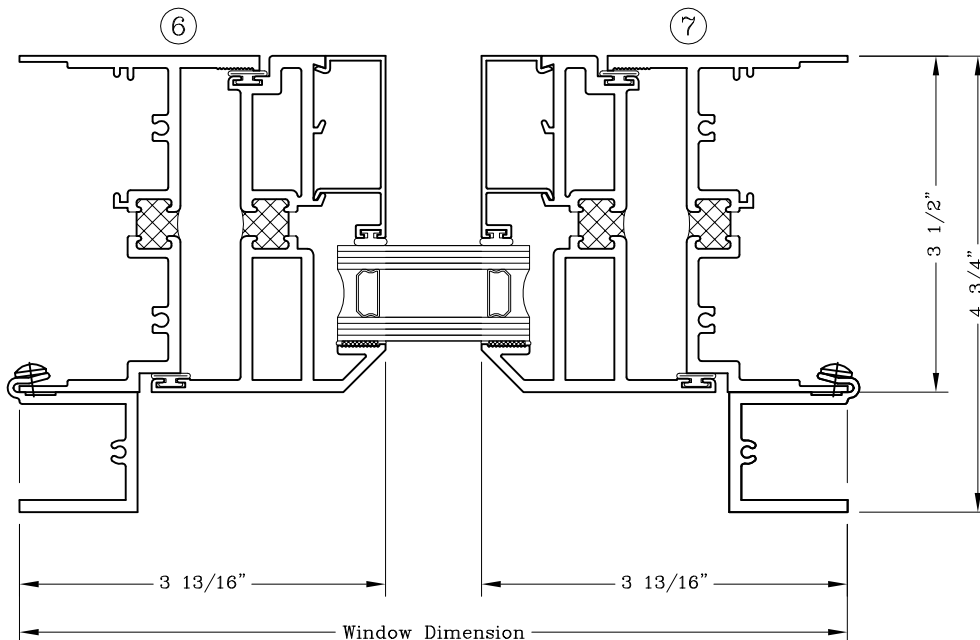
Drawing 1/2 Scale - For Custom Size Drawing Contact Graham

Note: Sealant Not Shown On Details. Consult Technical Services At Factory For Sealing Procedures.



ELEVATION

For Head Details - Reference Sheet 68_20A



Fixed/Fixed - 4 3/4"
Offset Fixed/Fixed

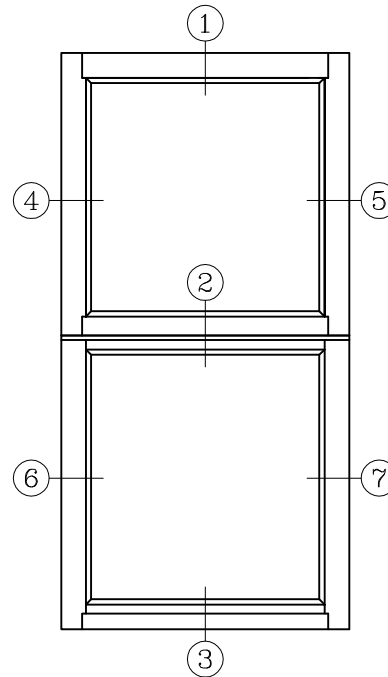
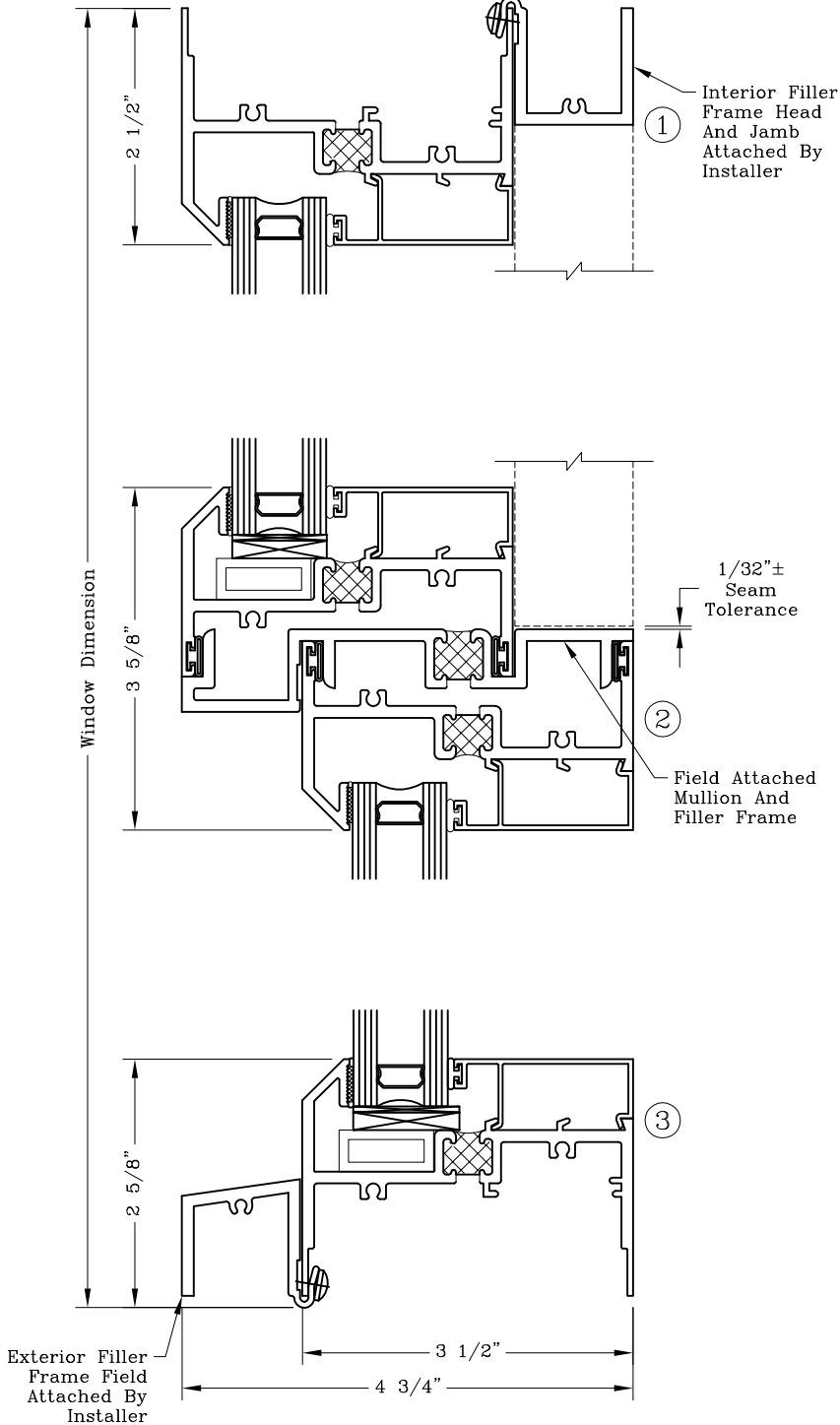


Series: 6800

Manufacturing Code: 6821

Drawing 1/2 Scale - For Custom Size Drawing Contact Graham

Note: Sealant Not Shown On Details. Consult Technical Services At Factory For Sealing Procedures.



ELEVATION

Notes:

- For Jamb Details - Reference Sheet 68_21B
- This Window Installs As (2)Two Windows

Fixed/Fixed - 4 3/4"
Offset Fixed/Fixed

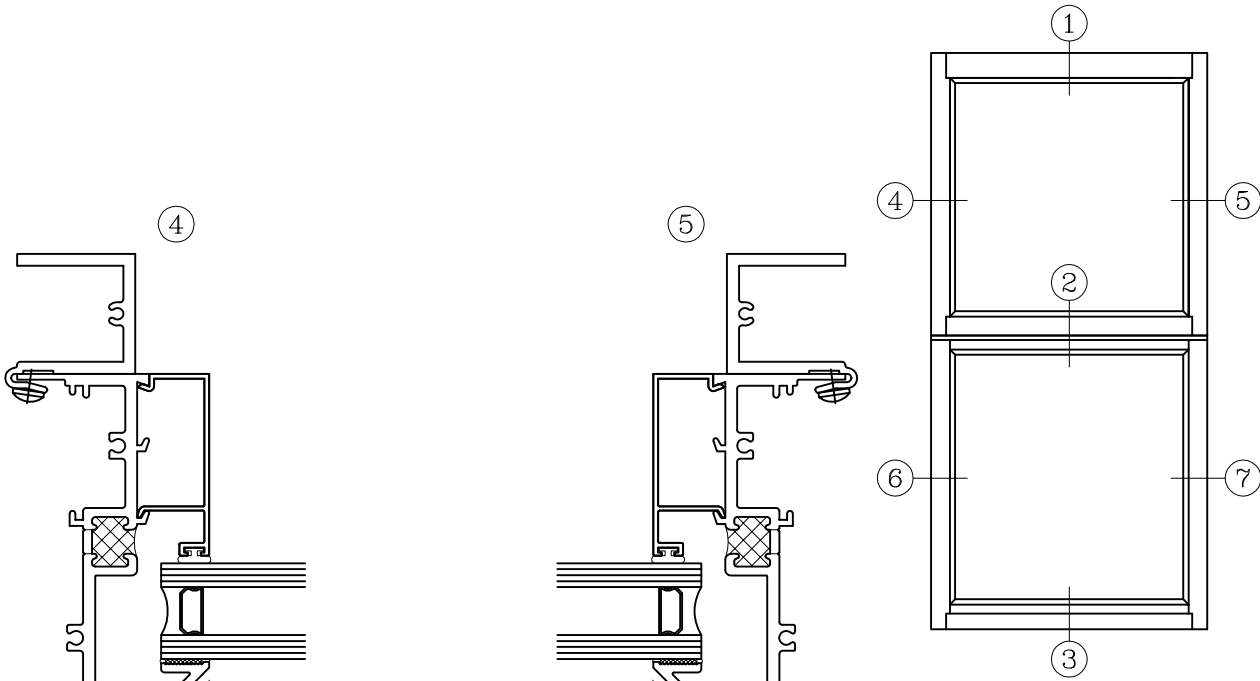


Series: 6800

Manufacturing Code: 6821

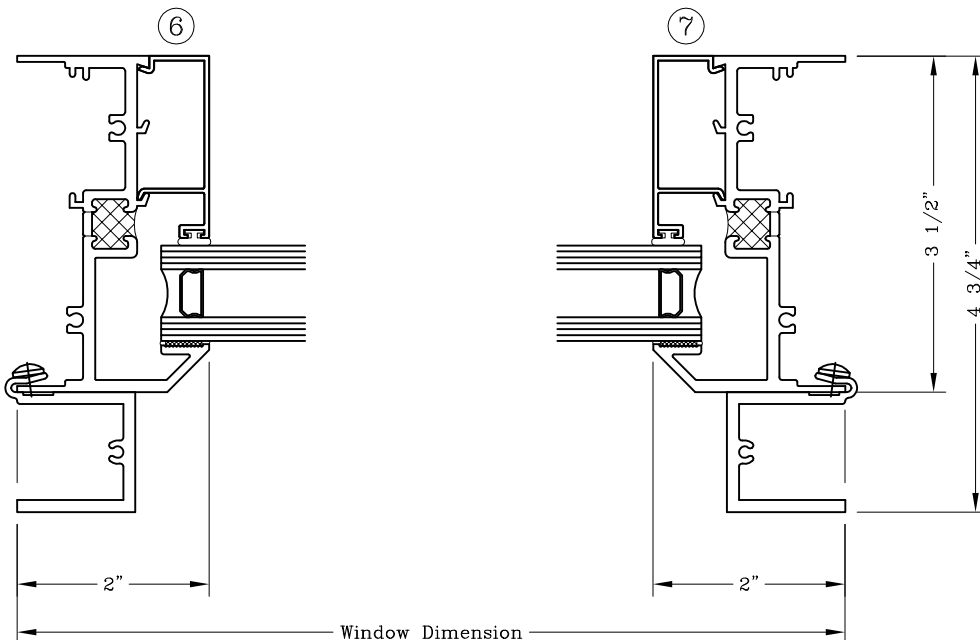
Drawing 1/2 Scale - For Custom Size Drawing Contact Graham

Note: Sealant Not Shown On Details. Consult Technical Services At Factory For Sealing Procedures.



ELEVATION

For Head Details - Reference Sheet 68_21A



Intermediates - 3 1/2"

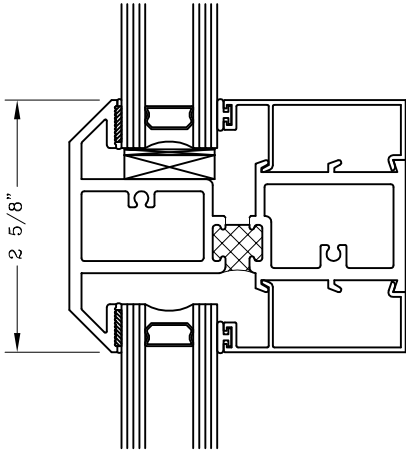


Series: 6800

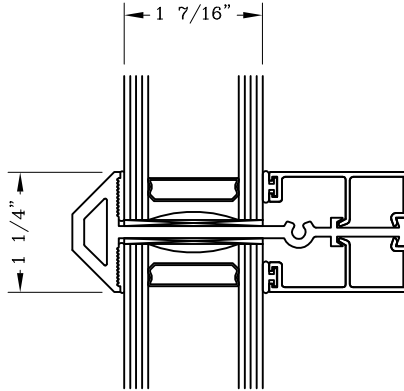
Manufacturing Code: 6822

Drawing 1/2 Scale - For Custom Size Drawing Contact Graham

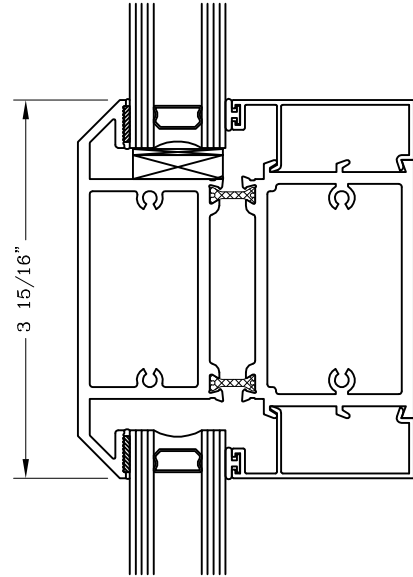
Note: Sealant Not Shown On Details. Consult Technical Services At Factory For Sealing Procedures.



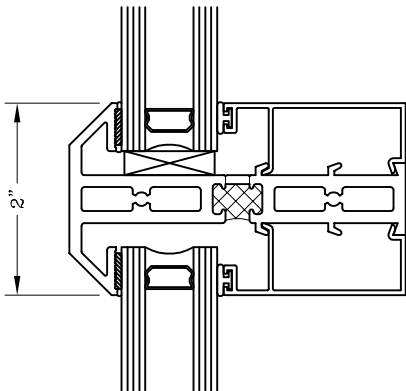
Horizontal Intermediate
Part #680013



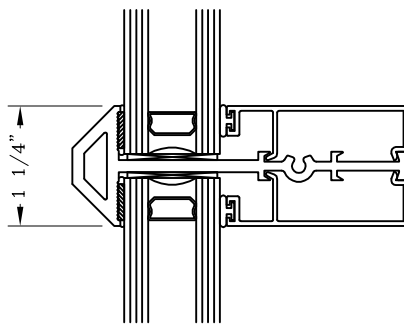
Horizontal Intermediate
Part #680209



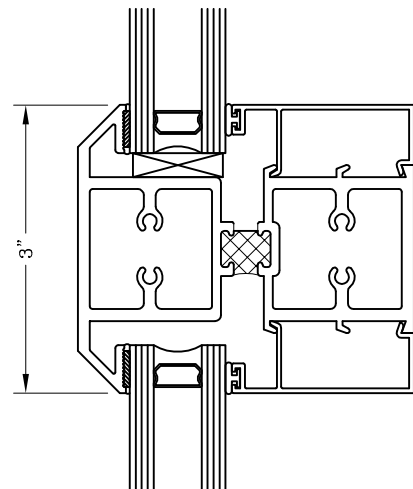
Horizontal Intermediate
Part #680314



Horizontal Intermediate
Part #680015



Horizontal Intermediate
Part #680208



Horizontal Intermediate
Part #680213

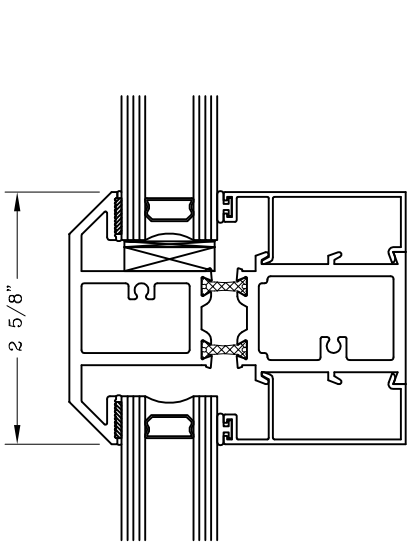
Intermediates - 3 1/2"



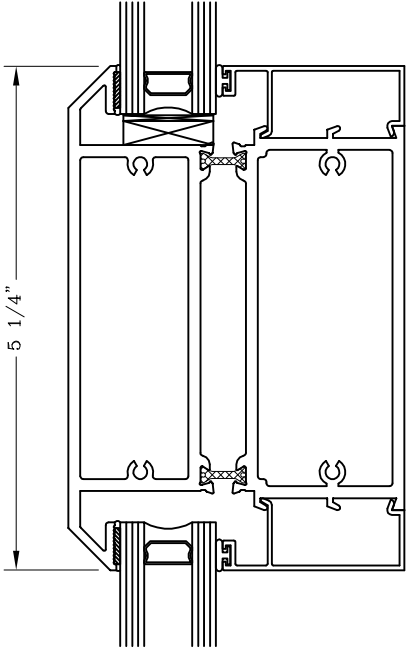
Series: 6800

Drawing 1/2 Scale - For Custom Size Drawing Contact Graham

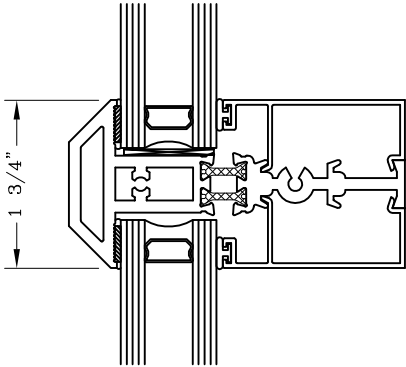
Note: Sealant Not Shown On Details. Consult Technical Services At Factory For Sealing Procedures.



Horizontal Intermediate Part #680313



Horizontal Intermediate Part #680354



Horizontal Intermediate Part #680355

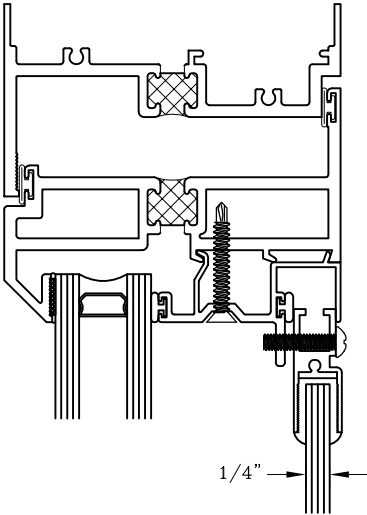
Glazing Options - 3 1/2"



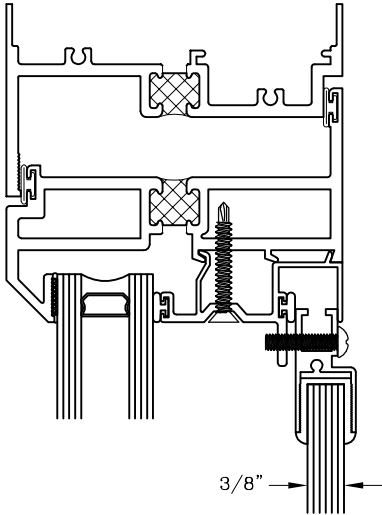
Series: 6800

Drawing 1/2 Scale - For Custom Size Drawing Contact Graham

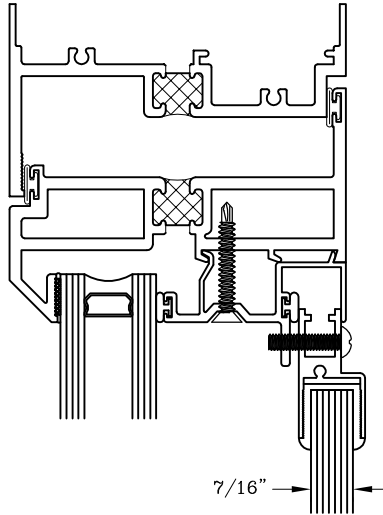
Note: Sealant Not Shown On Details. Consult Technical Services At Factory For Sealing Procedures.



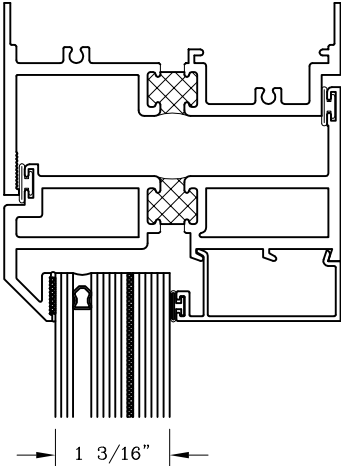
1/4"
Guardian Glazing



3/8"
Guardian Glazing



7/16"
Guardian Glazing



1 3/16" IG
Glazing Bead

Projected - 3 1/2"

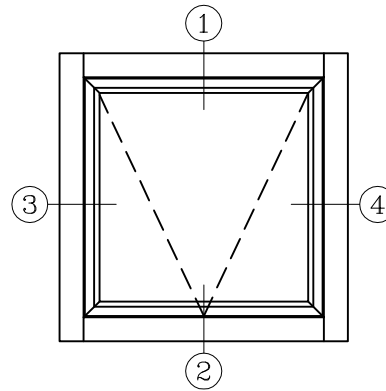
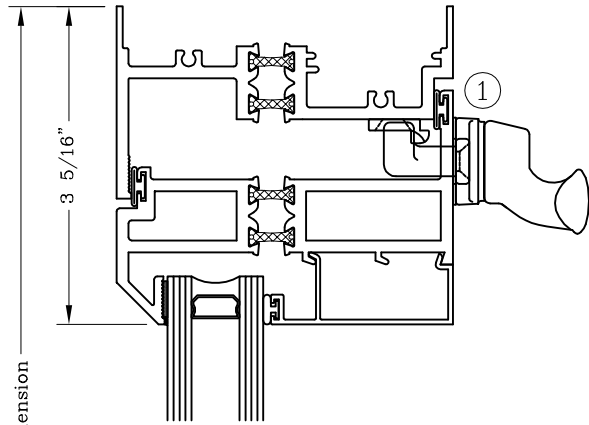


Series: S6800

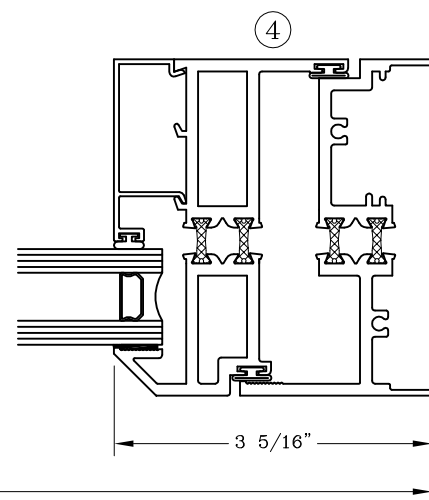
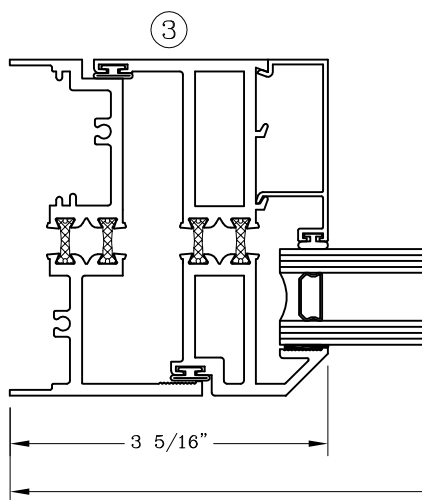
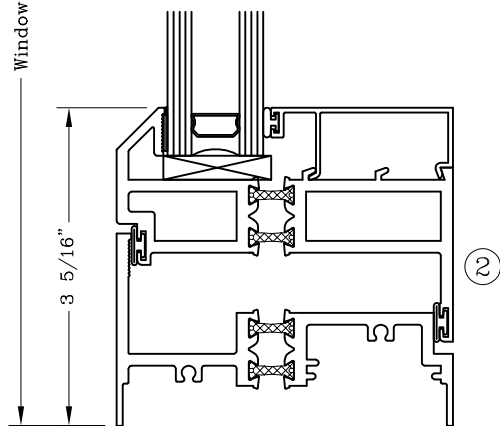
Manufacturing Code: S6801

Drawing 1/2 Scale - For Custom Size Drawing Contact Graham

Note: Sealant Not Shown On Details. Consult Technical Services At Factory For Sealing Procedures.



ELEVATION



Note: Dashed Lines Represent Inswing Vented Units Solid Lines Represent Outswing Vented Units; Lines Converge At Hinge Side Of Vent

Fixed/Projected - 3 1/2"

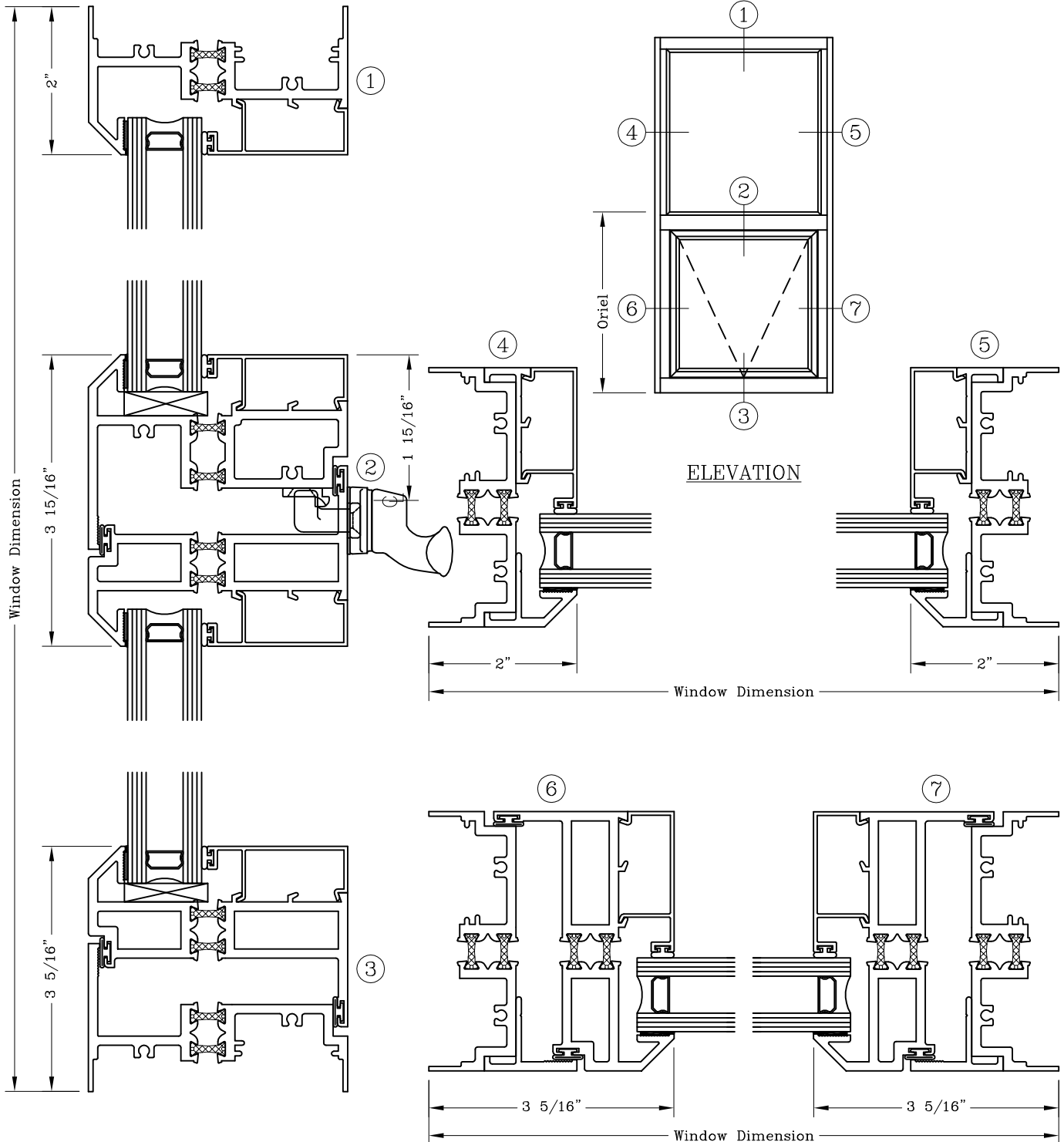


Series: S6800

Manufacturing Code: S6802

Drawing 1/2 Scale - For Custom Size Drawing Contact Graham

Note: Sealant Not Shown On Details. Consult Technical Services At Factory For Sealing Procedures.



Note: Dashed Lines Represent Inswing Vented Units Solid Lines Represent Outswing Vented Units; Lines Converge At Hinge Side Of Vent

Projected/Projected - 3 1/2"

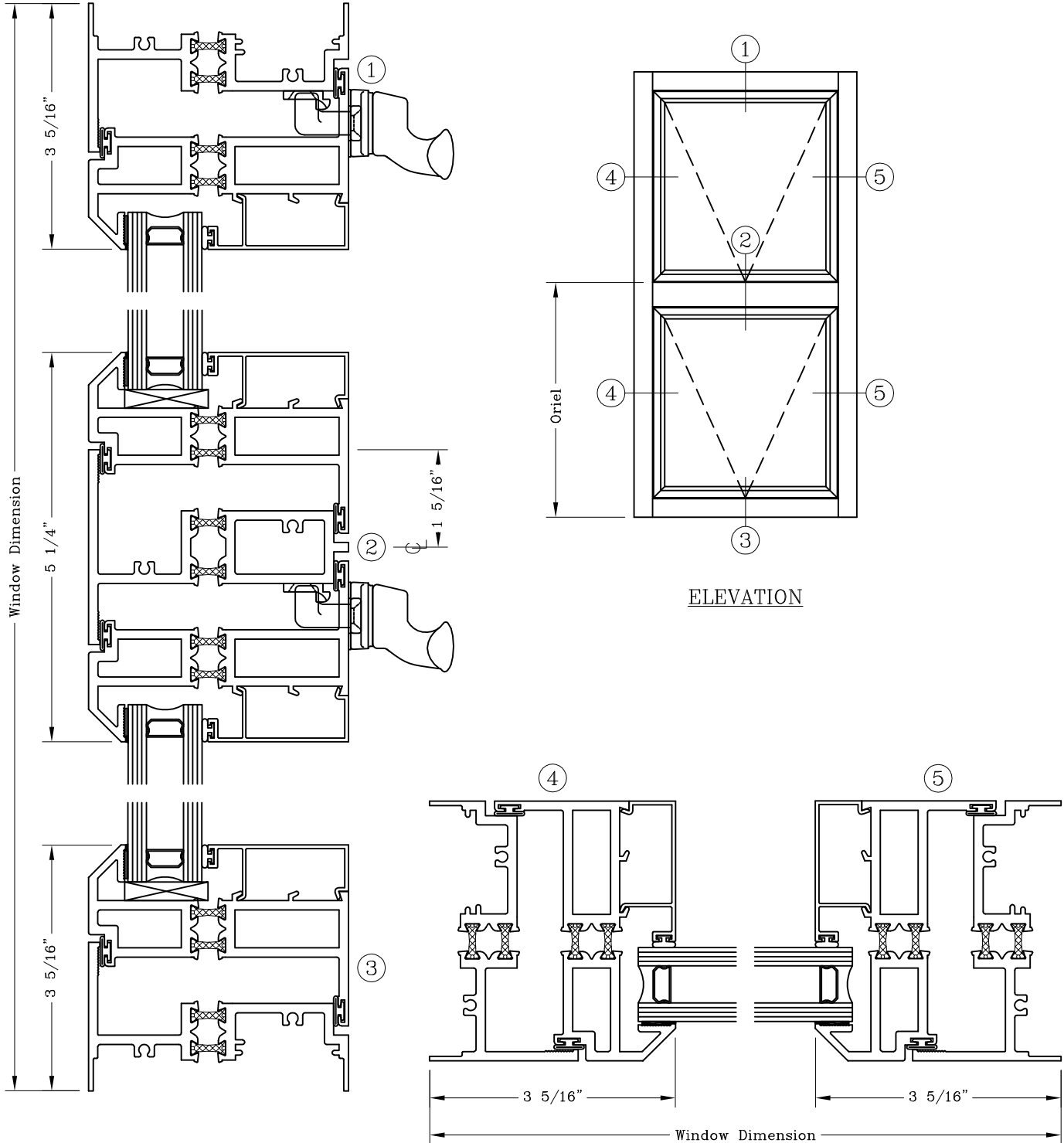


Series: S6800

Manufacturing Code: S6803

Drawing 1/2 Scale - For Custom Size Drawing Contact Graham

Note: Sealant Not Shown On Details. Consult Technical Services At Factory For Sealing Procedures.



Note: Dashed Lines Represent Inswing Vented Units Solid Lines Represent Outswing Vented Units; Lines Converge At Hinge Side Of Vent

Casement - 3 1/2"

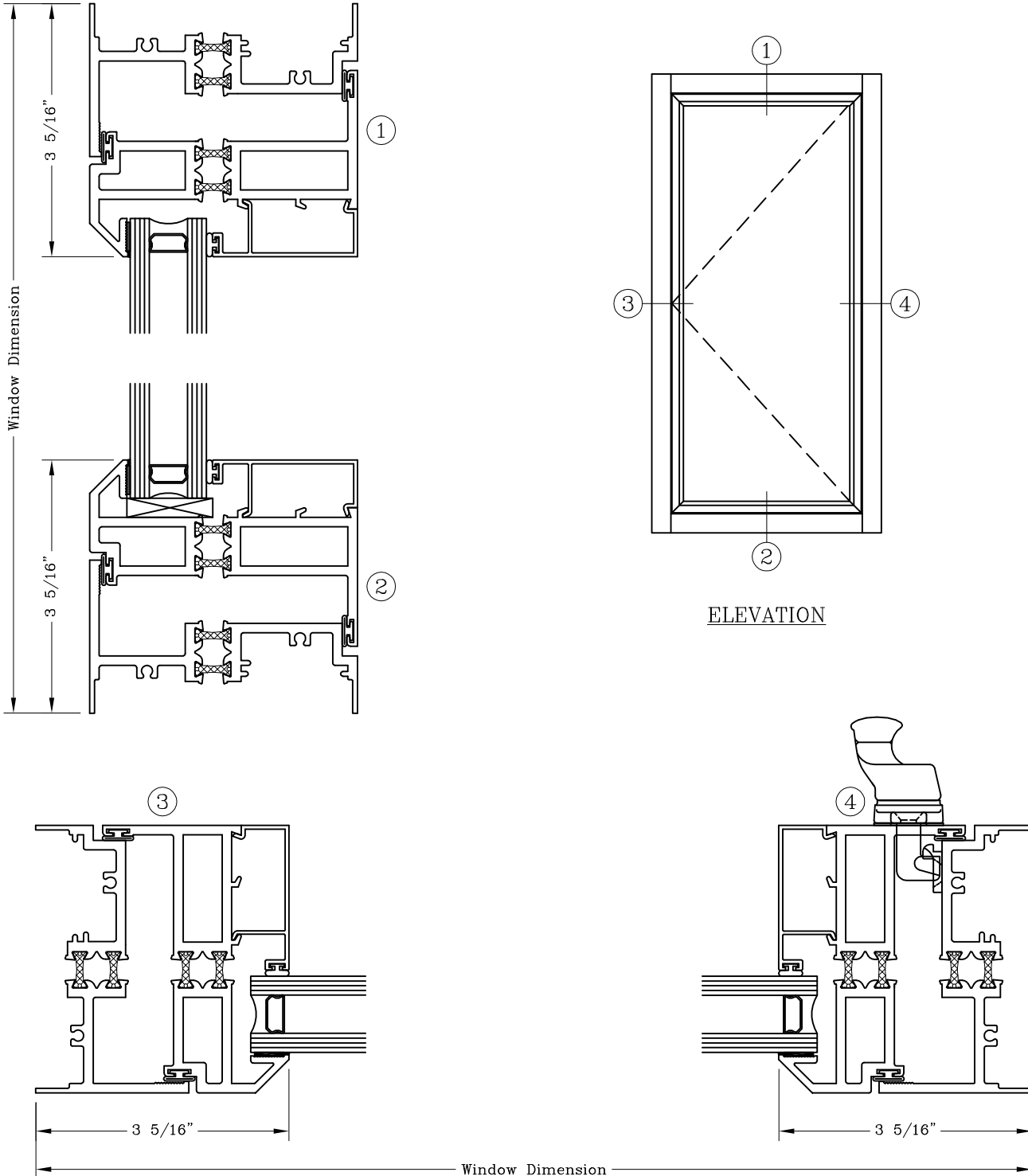


Series: S6800

Manufacturing Code: S6804

Drawing 1/2 Scale - For Custom Size Drawing Contact Graham

Note: Sealant Not Shown On Details. Consult Technical Services At Factory For Sealing Procedures.



Note: Dashed Lines Represent Inswing Vented Units Solid Lines Represent Outswing Vented Units; Lines Converge At Hinge Side Of Vent

Fixed/Casement - 3 1/2"

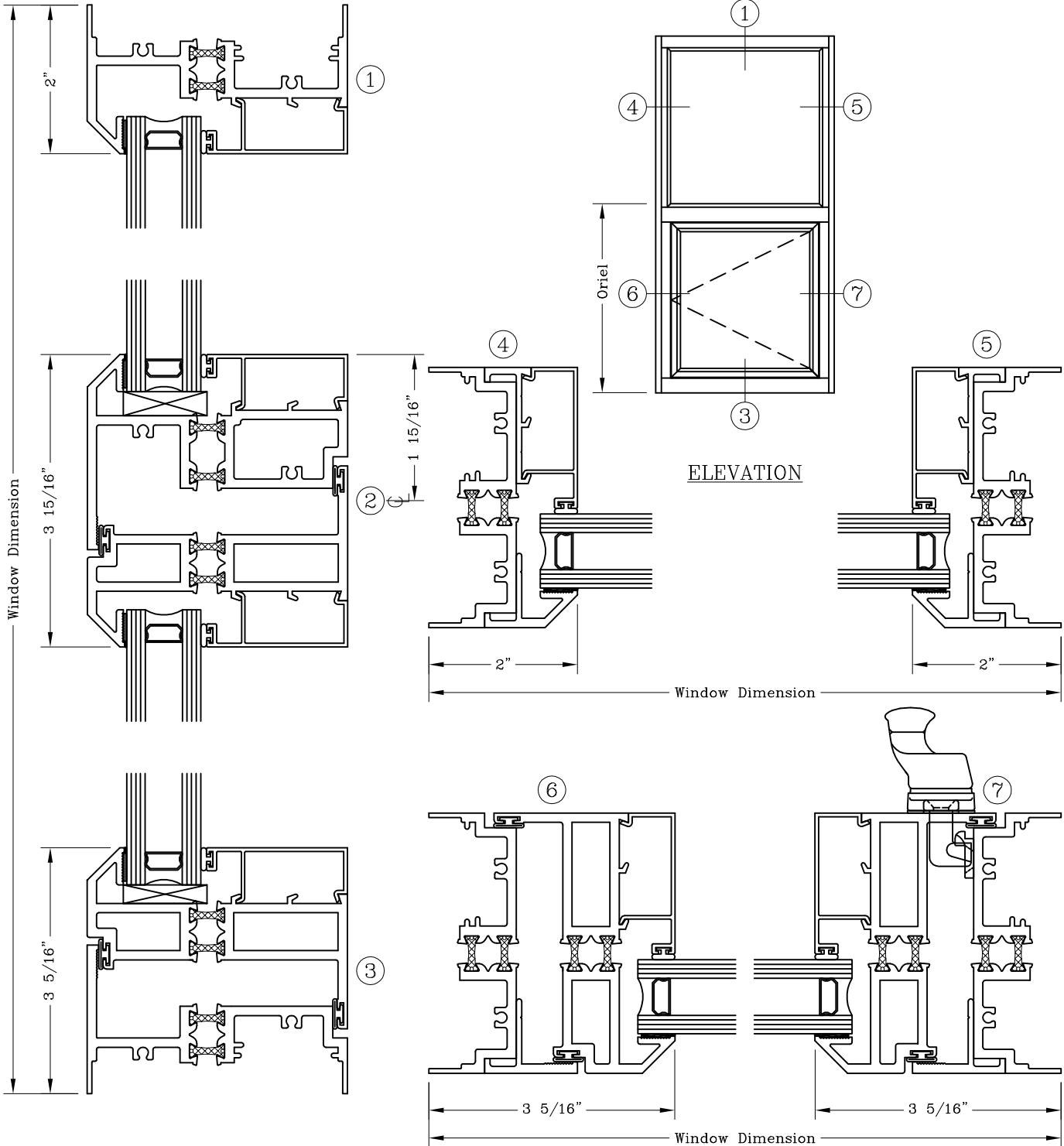


Series: S6800

Manufacturing Code: S6805

Drawing 1/2 Scale - For Custom Size Drawing Contact Graham

Note: Sealant Not Shown On Details. Consult Technical Services At Factory For Sealing Procedures.



Note: Dashed Lines Represent Inswing Vented Units Solid Lines Represent Outswing Vented Units; Lines Converge At Hinge Side Of Vent

Projected - 3 1/2"

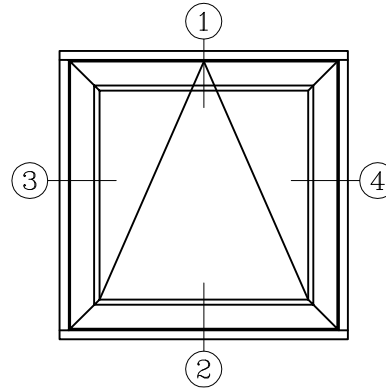
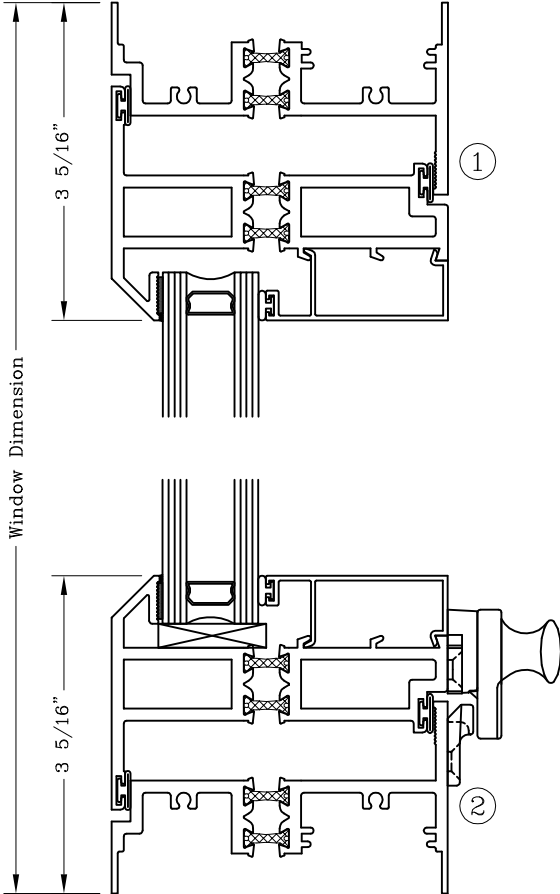


Series: S6800

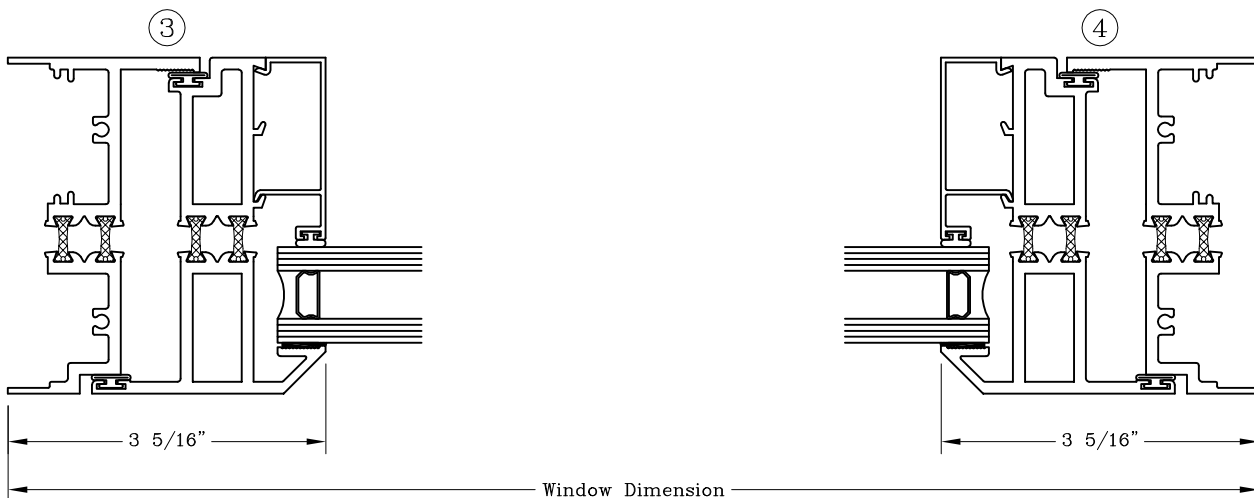
Manufacturing Code: S6806

Drawing 1/2 Scale - For Custom Size Drawing Contact Graham

Note: Sealant Not Shown On Details. Consult Technical Services At Factory For Sealing Procedures.



ELEVATION



Note: Dashed Lines Represent Inswing Vented Units Solid Lines Represent Outswing Vented Units; Lines Converge At Hinge Side Of Vent

Fixed/Projected - 3 1/2"

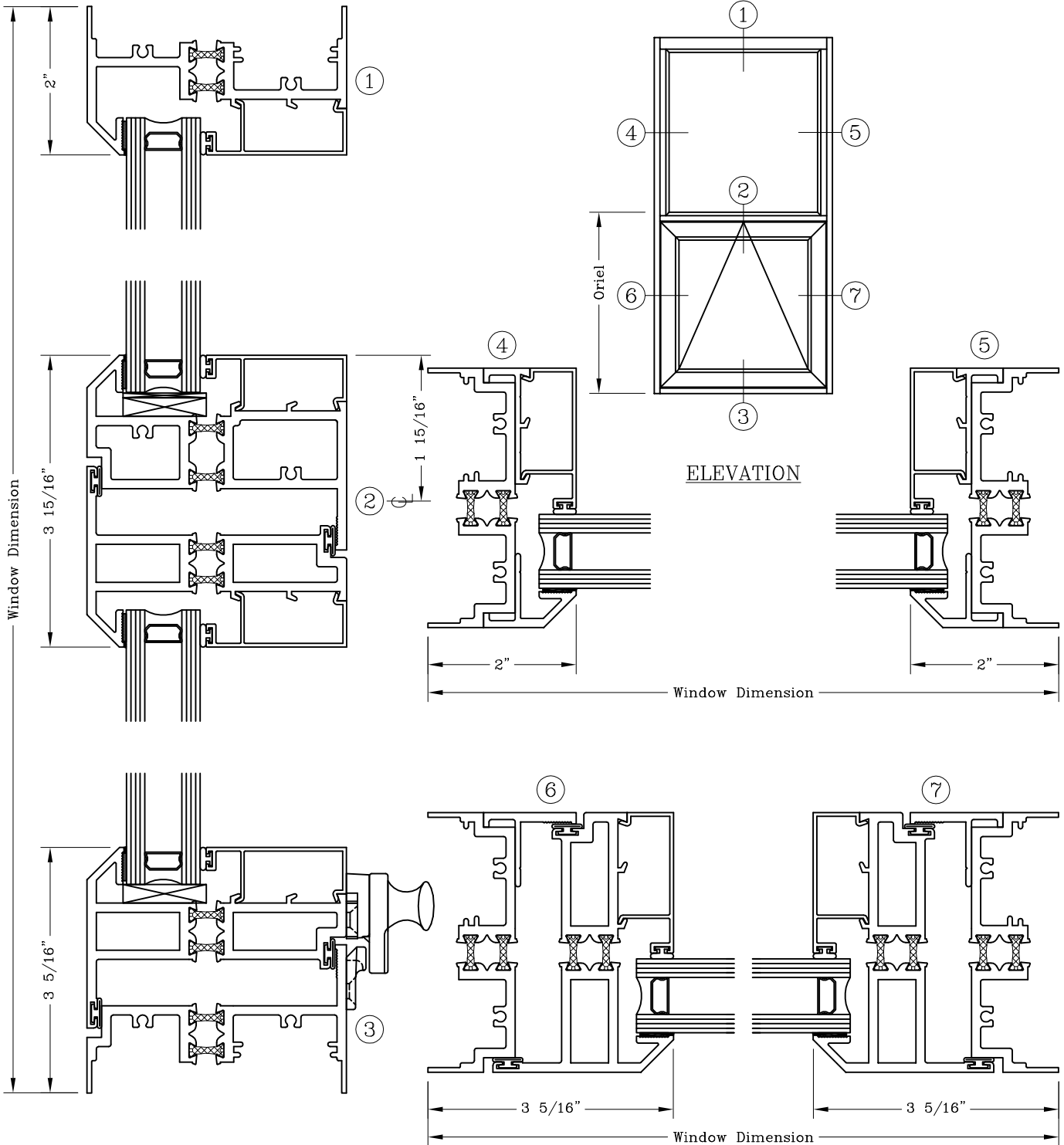


Series: S6800

Manufacturing Code: S6807

Drawing 1/2 Scale - For Custom Size Drawing Contact Graham

Note: Sealant Not Shown On Details. Consult Technical Services At Factory For Sealing Procedures.



Note: Dashed Lines Represent Inswing Vented Units Solid Lines Represent Outswing Vented Units; Lines Converge At Hinge Side Of Vent

Projected/Projected - 3 1/2"

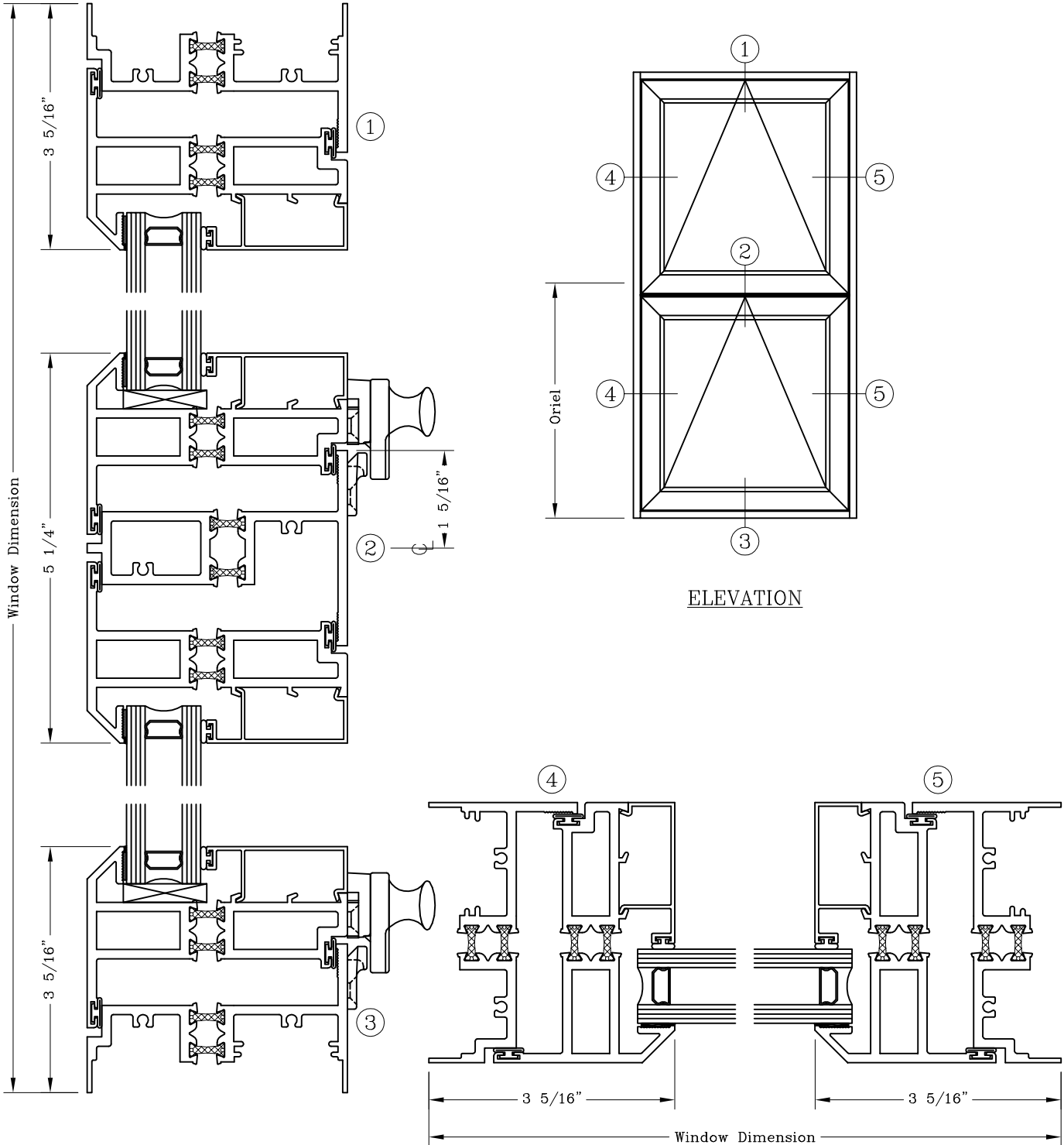


Series: S6800

Manufacturing Code: S6808

Drawing 1/2 Scale - For Custom Size Drawing Contact Graham

Note: Sealant Not Shown On Details. Consult Technical Services At Factory For Sealing Procedures.



Note: Dashed Lines Represent Inswing Vented Units Solid Lines Represent Outswing Vented Units; Lines Converge At Hinge Side Of Vent

Casement - 3 1/2"

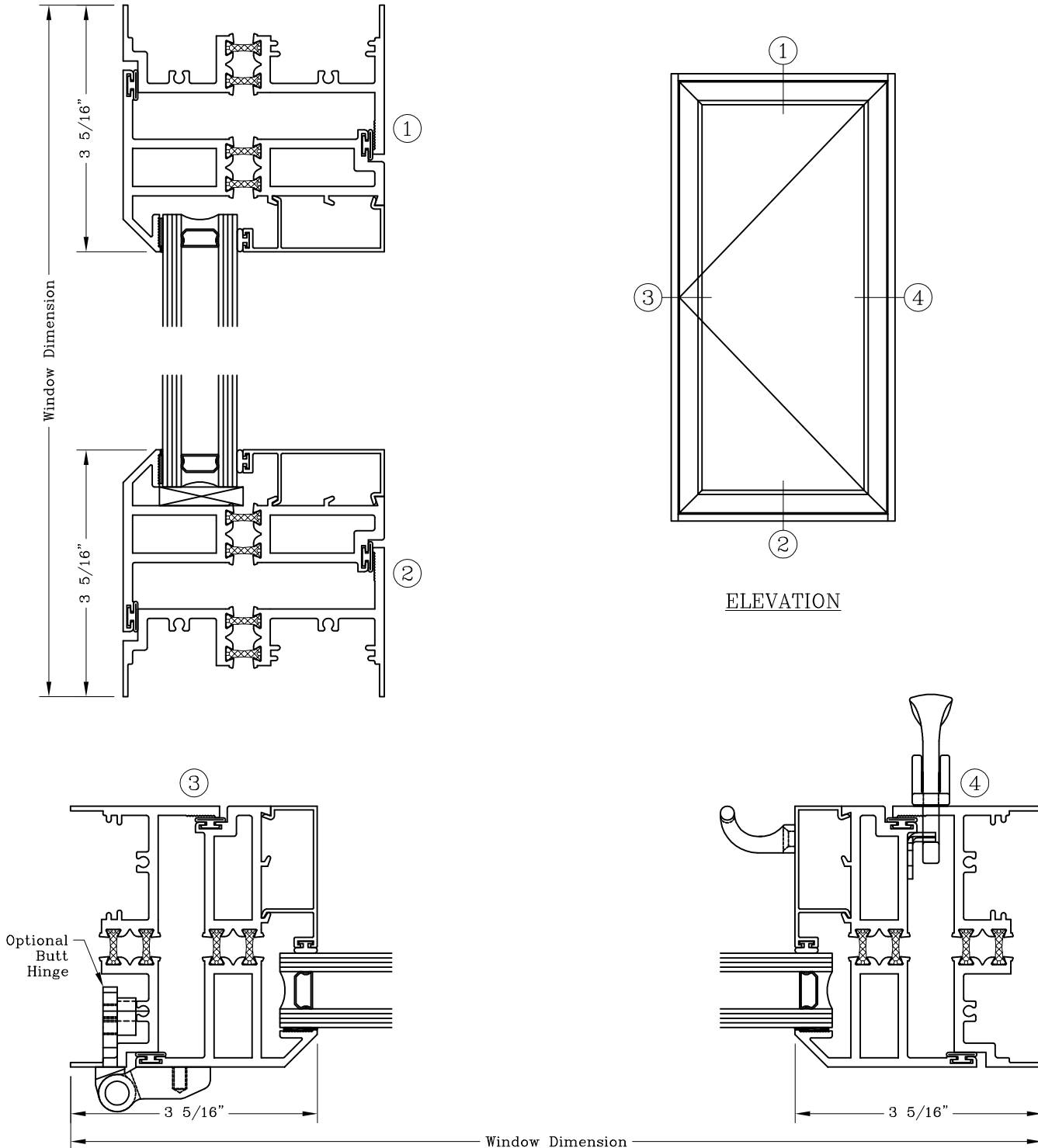


Series: S6800

Manufacturing Code: S6809

Drawing 1/2 Scale - For Custom Size Drawing Contact Graham

Note: Sealant Not Shown On Details. Consult Technical Services At Factory For Sealing Procedures.



Note: Dashed Lines Represent Inswing Vented Units Solid Lines Represent Outswing Vented Units; Lines Converge At Hinge Side Of Vent

Fixed/Casement - 3 1/2"

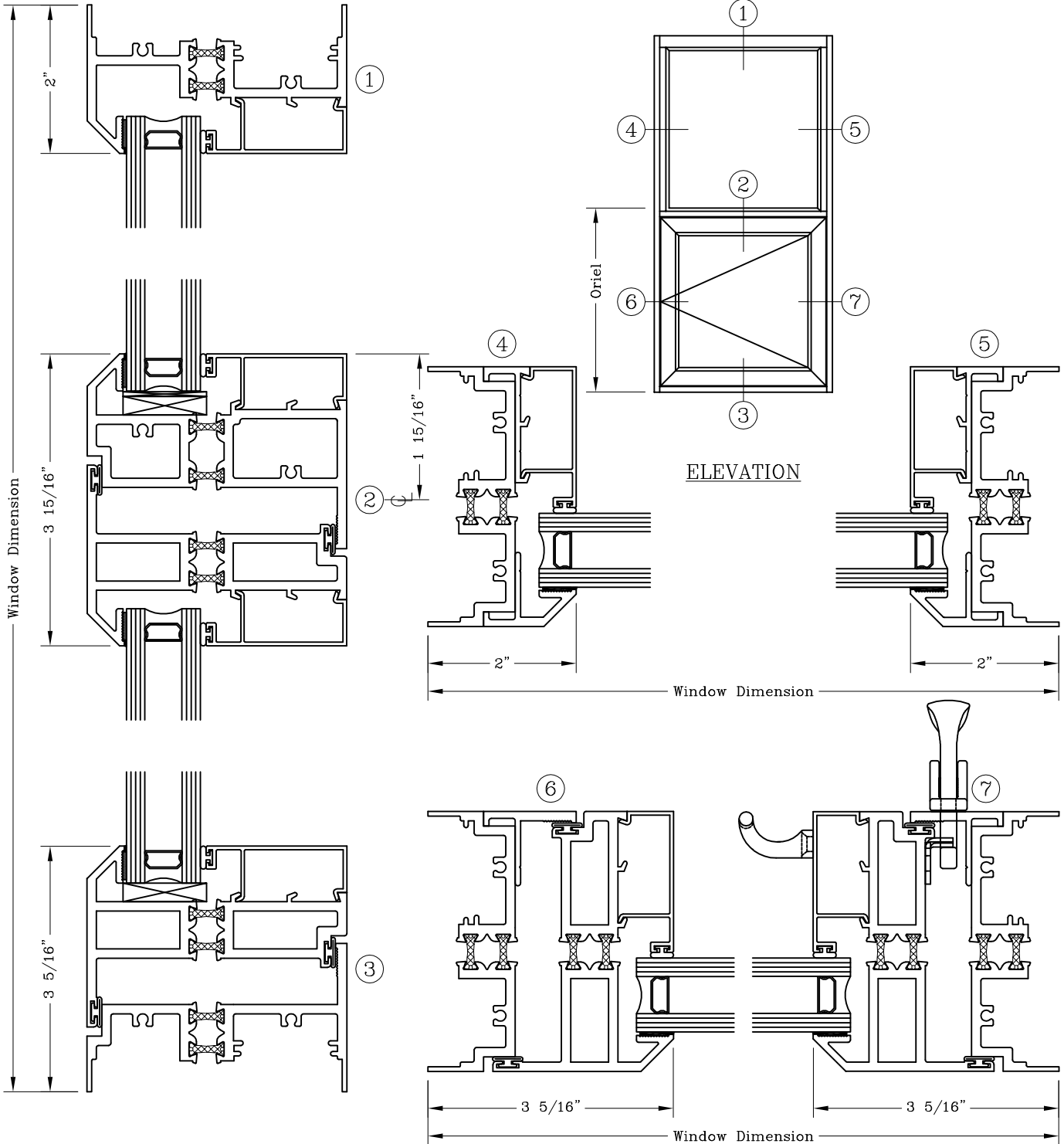


Series: S6800

Manufacturing Code: S6810

Drawing 1/2 Scale - For Custom Size Drawing Contact Graham

Note: Sealant Not Shown On Details. Consult Technical Services At Factory For Sealing Procedures.



Note: Dashed Lines Represent Inswing Vented Units Solid Lines Represent Outswing Vented Units; Lines Converge At Hinge Side Of Vent

Fixed - 3 1/2"

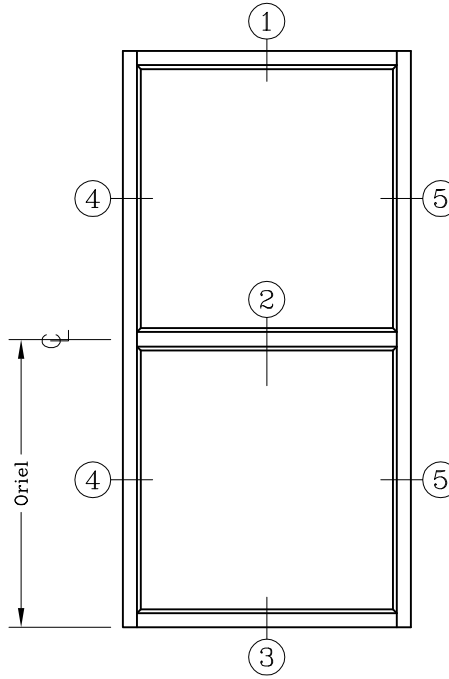
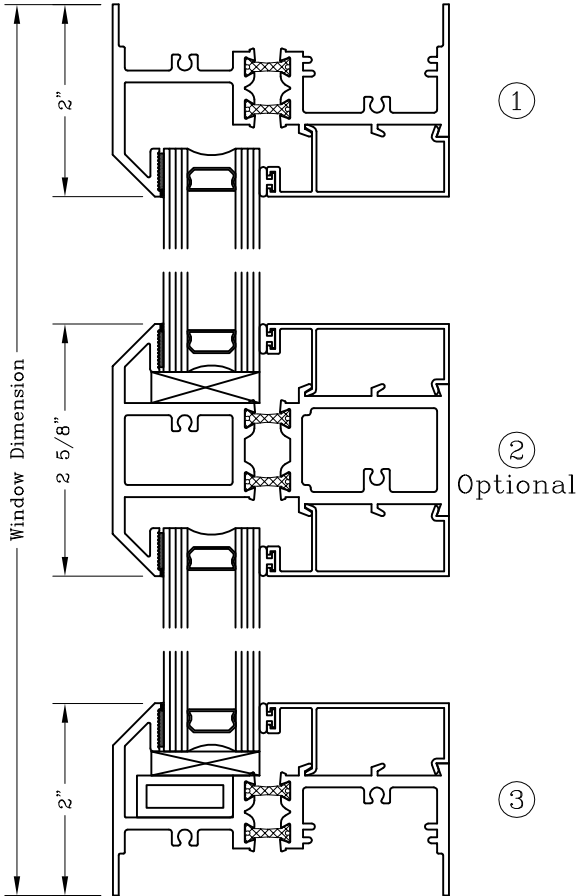


Series: S6800

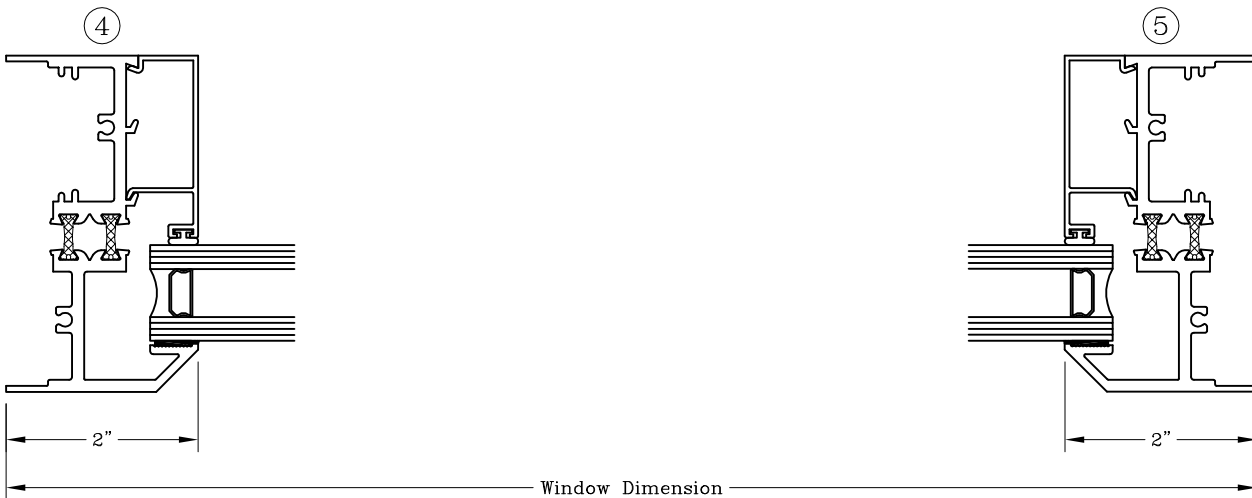
Manufacturing Code: S6811

Drawing 1/2 Scale - For Custom Size Drawing Contact Graham

Note: Sealant Not Shown On Details. Consult Technical Services At Factory For Sealing Procedures.



ELEVATION



Projected/Projected - 3 1/2"

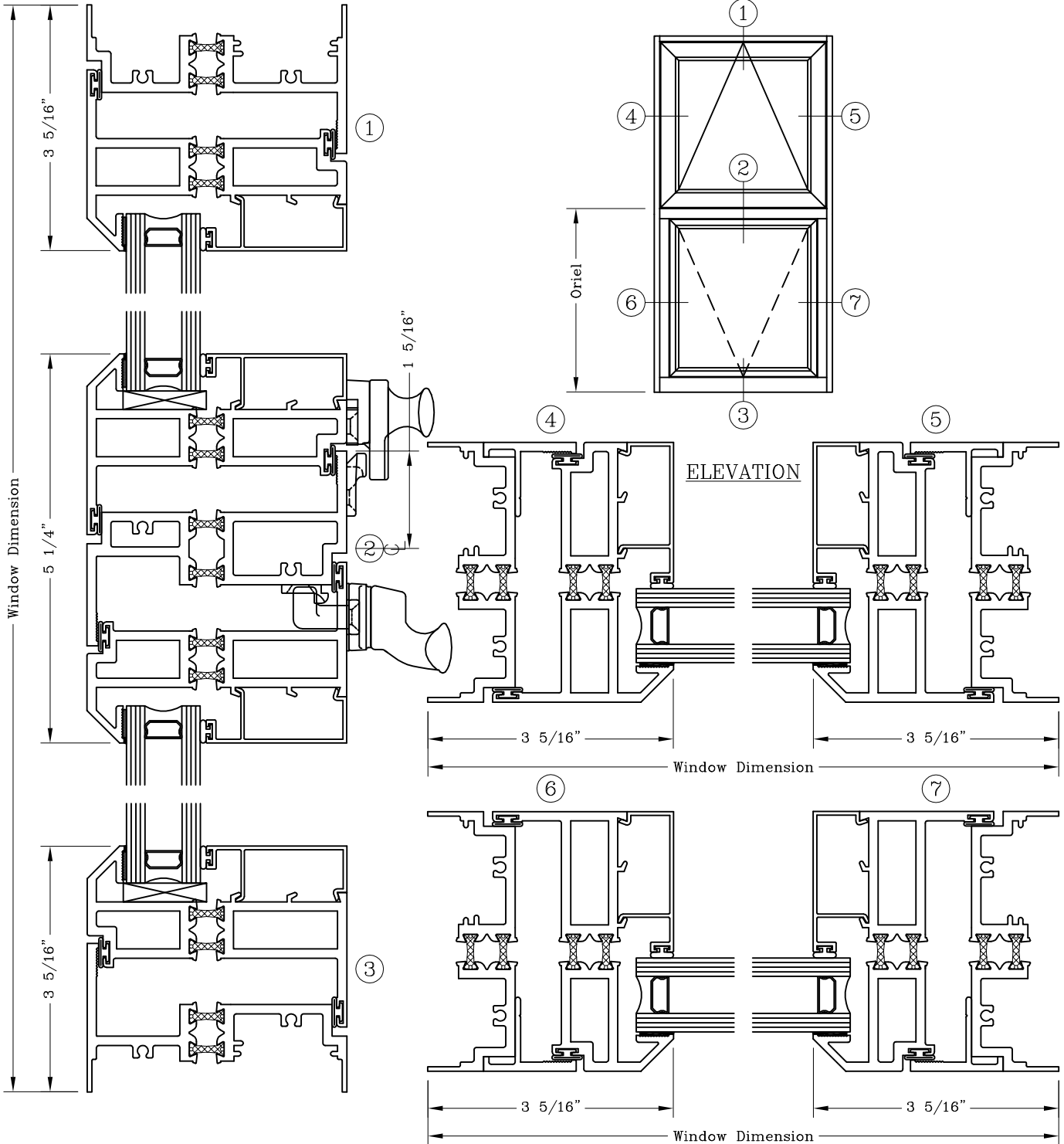


Series: S6800

Manufacturing Code: S6812

Drawing 1/2 Scale - For Custom Size Drawing Contact Graham

Note: Sealant Not Shown On Details. Consult Technical Services At Factory For Sealing Procedures.



Note: Dashed Lines Represent Inswing Vented Units Solid Lines Represent Outswing Vented Units; Lines Converge At Hinge Side Of Vent

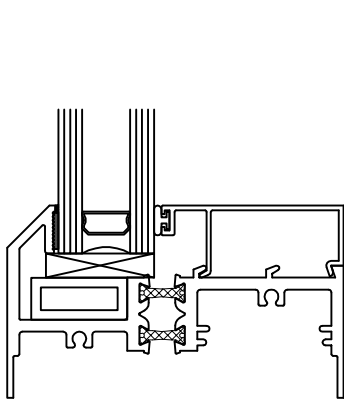
Glazing Options - 3 1/2"



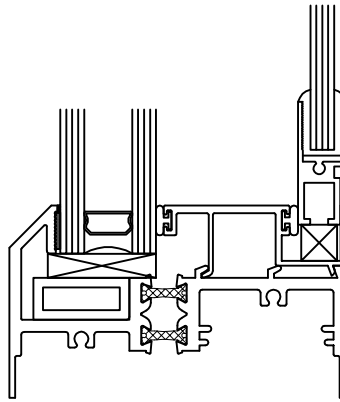
Series: S6800

Drawing 1/2 Scale - For Custom Size Drawing Contact Graham

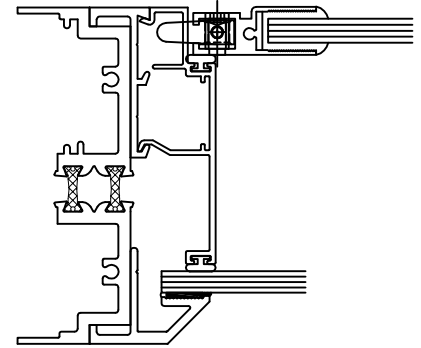
Note: Sealant Not Shown On Details. Consult Technical Services At Factory For Sealing Procedures.



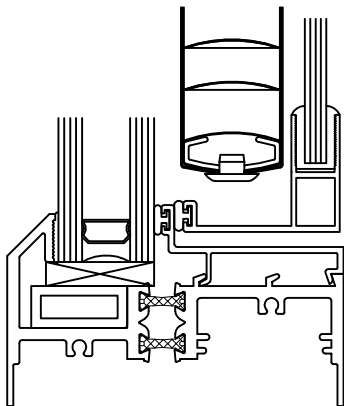
1" IG
Glazing Bead
#680090



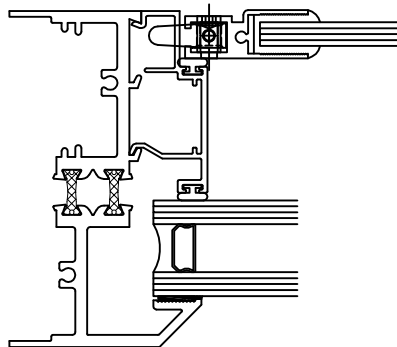
Lift-In Guardian
Horizontal Glazing Bead
#680080



Lift-In Guardian 1/4" Glaze
Vertical Glazing Bead
#680083



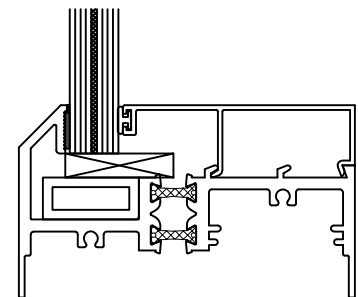
1" IG Pivot Guardian
Glazing Bead
#680042



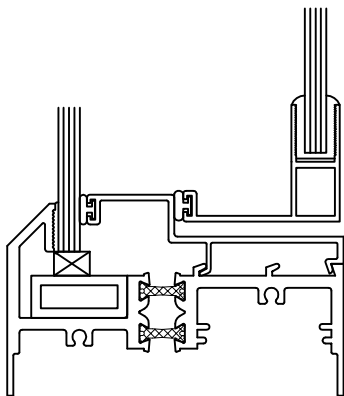
Lift-In Guardian
Vertical Glazing Bead
#680081



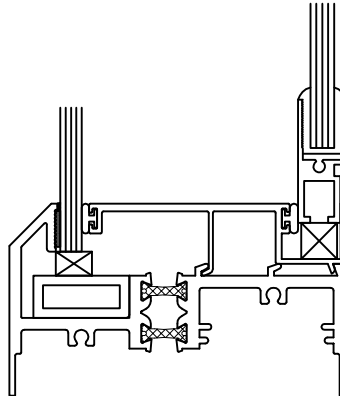
Panel
Glazing Bead
#680094



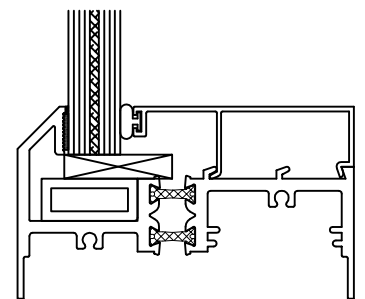
1/2" Lami Glaze
Glazing Bead



1/4" Glaze Pivot Guardian
Glazing Bead
#680044



Lift-In Guardian 1/4" Glaze
Horizontal Glazing Bead
#680082



9/16" Lami Glaze
Glazing Bead
#680096

Frame Options - 3 1/2"

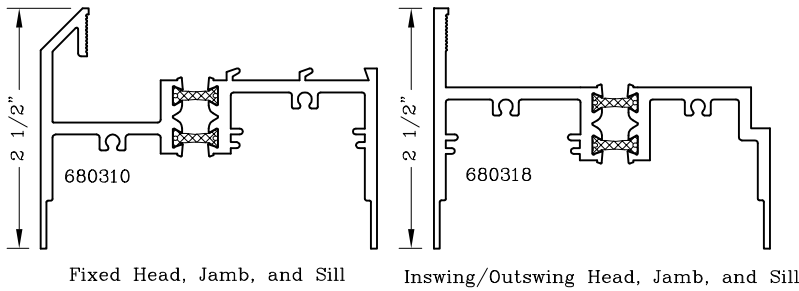


Series: S6800

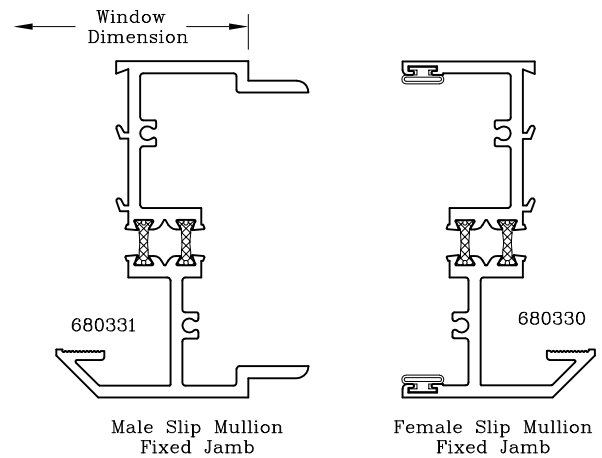
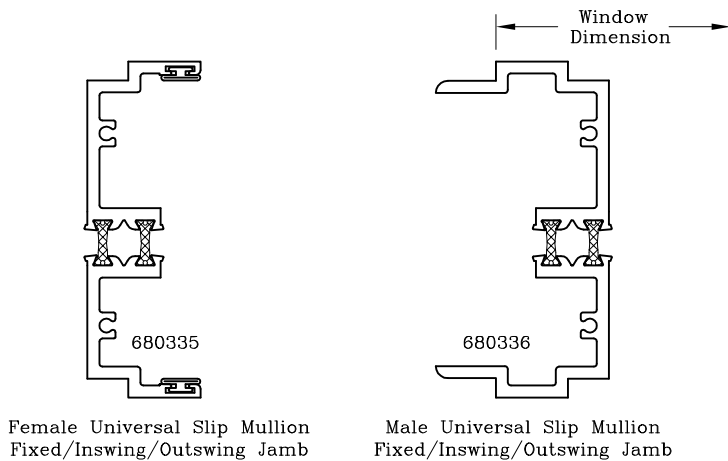
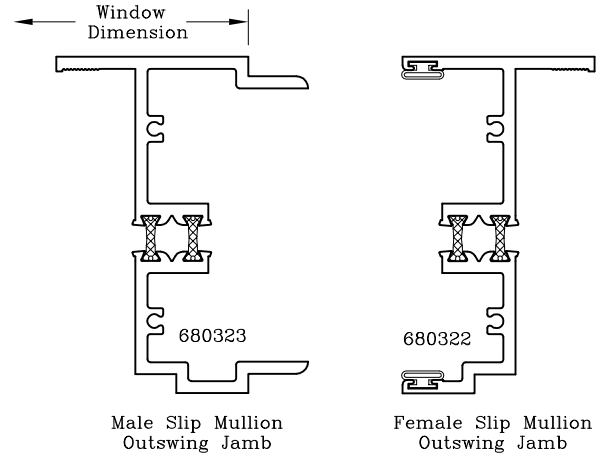
Manufacturing Code: S6814

Drawing 1/2 Scale - For Custom Size Drawing Contact Graham

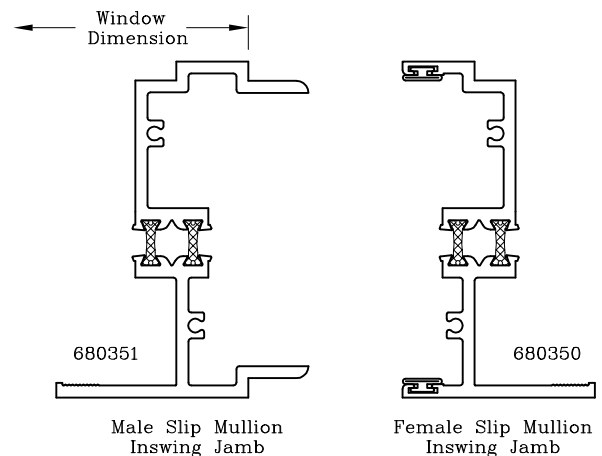
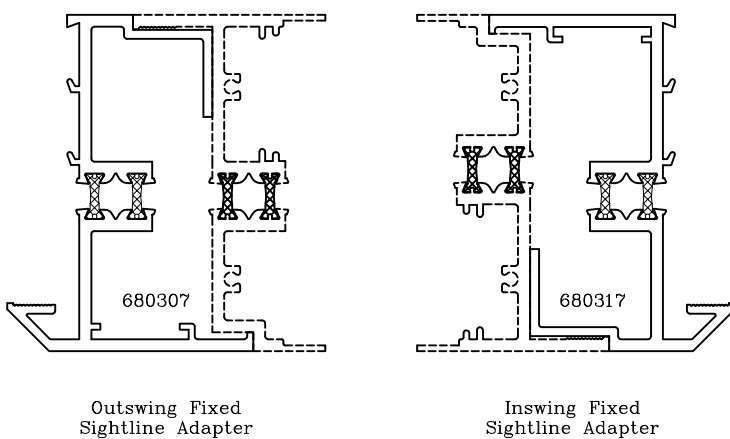
Note: Sealant Not Shown On Details. Consult Technical Services At Factory For Sealing Procedures.



Extended Leg Frame Options For Panning And Receptor Applications



Universal Slip Mullion Jamb Options



Fixed Sightline Adapters For Equal Sightline Appearance Between Fixed And Operable Portions Of Window Assembly

Slip Mullion Jamb Options

Lift-In Guardian Detail - 3 1/2"

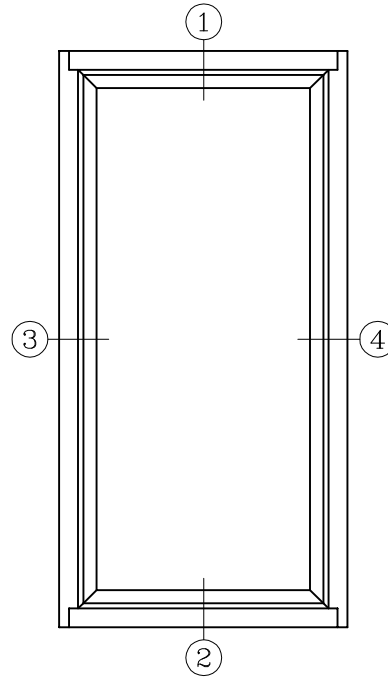
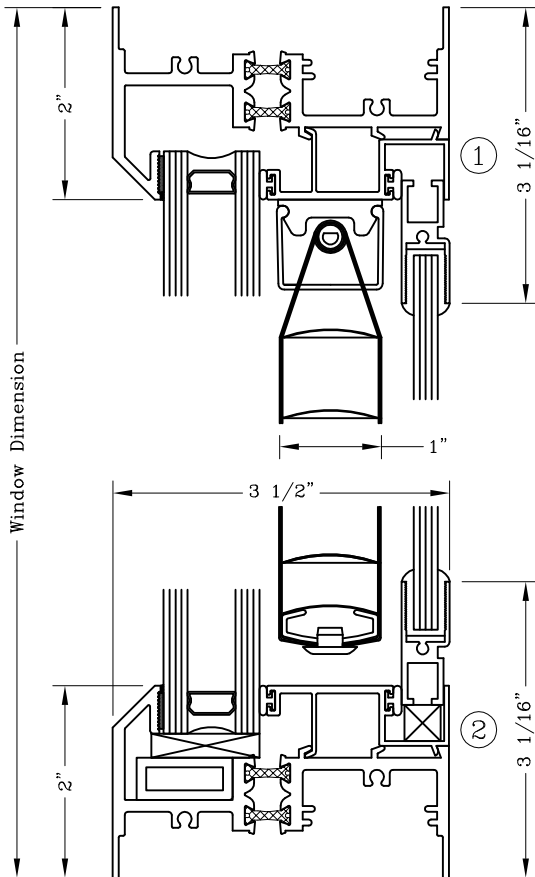


Series: S6800

Manufacturing Code: S6815

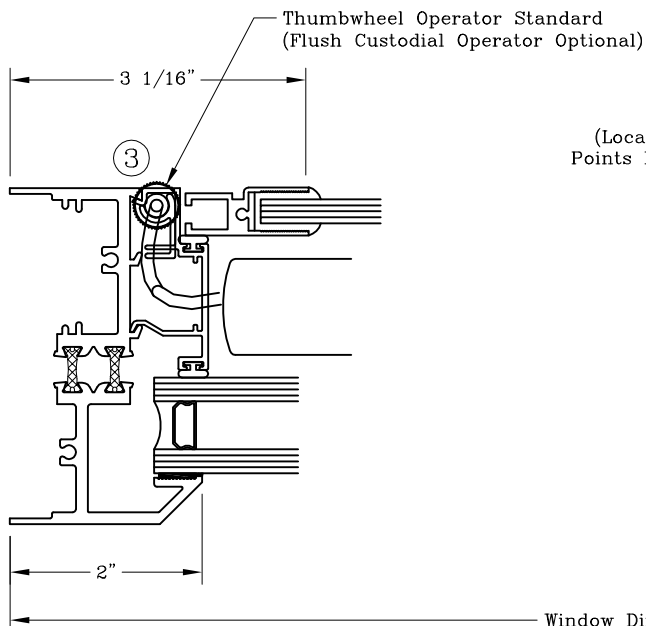
Drawing 1/2 Scale - For Custom Size Drawing Contact Graham

Note: Sealant Not Shown On Details. Consult Technical Services At Factory For Sealing Procedures.



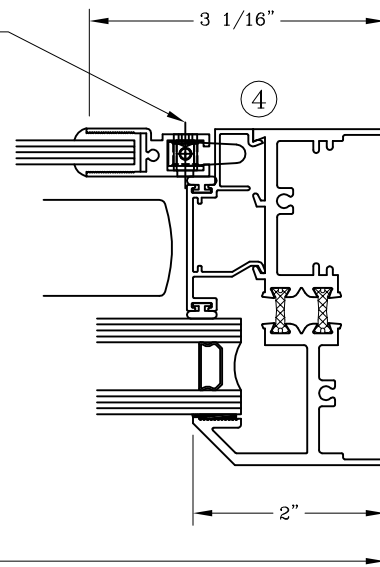
ELEVATION

NOTE: Glazing Option Shown On Fixed Window
Glazing Detail Is Similar For Operable Sash



Optional 1" Blind Shown

1/4 Turn Locks
1/8" Hex Key
(Located Mid Span Or 1/4
Points Depending On Height.)



Pivot Guardian Detail - 3 1/2"

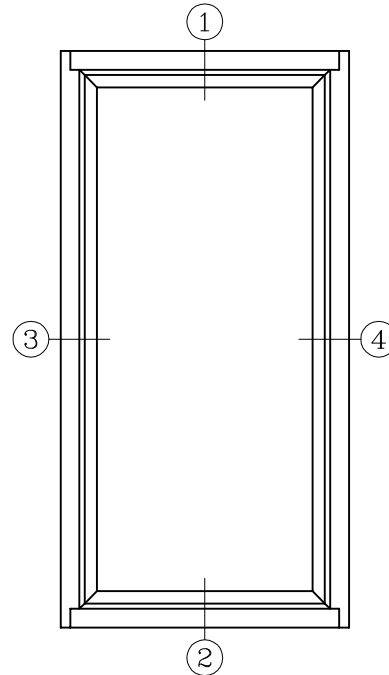
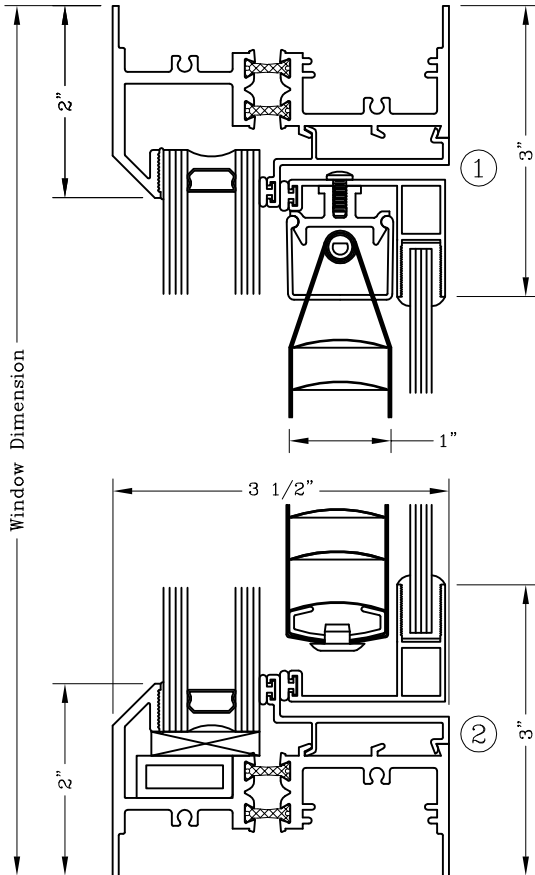


Series: S6800

Manufacturing Code: S6816

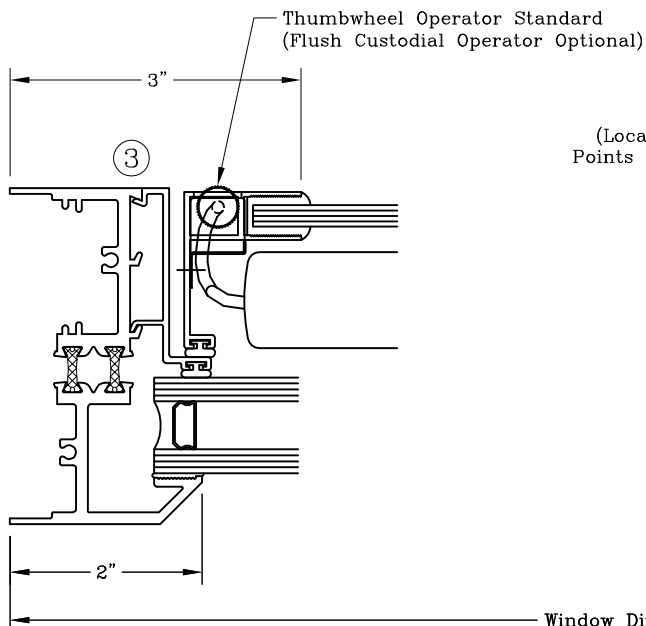
Drawing 1/2 Scale - For Custom Size Drawing Contact Graham

Note: Sealant Not Shown On Details. Consult Technical Services At Factory For Sealing Procedures.



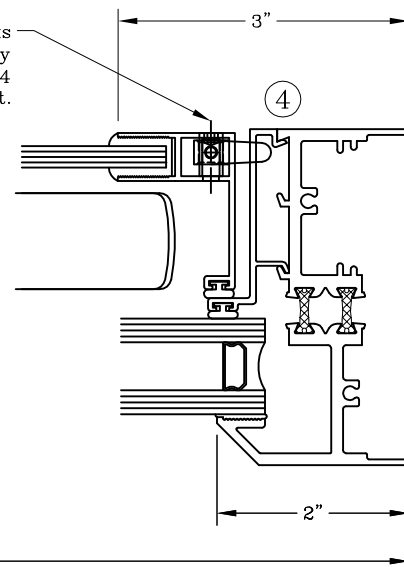
ELEVATION

NOTE: Glazing Option Shown On Fixed Window
Glazing Detail Is Similar For Operable Sash



Optional 1" Blind Shown

1/4 Turn Locks
1/8" Hex Key
(Located Mid Span Or 1/4
Points Depending On Height.)



Fixed - 3 1/2"

F-AW100

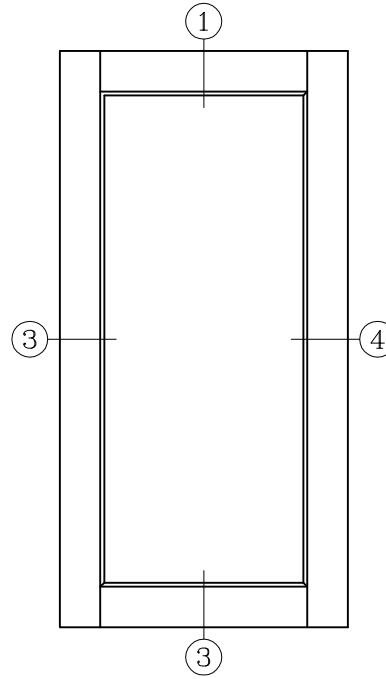
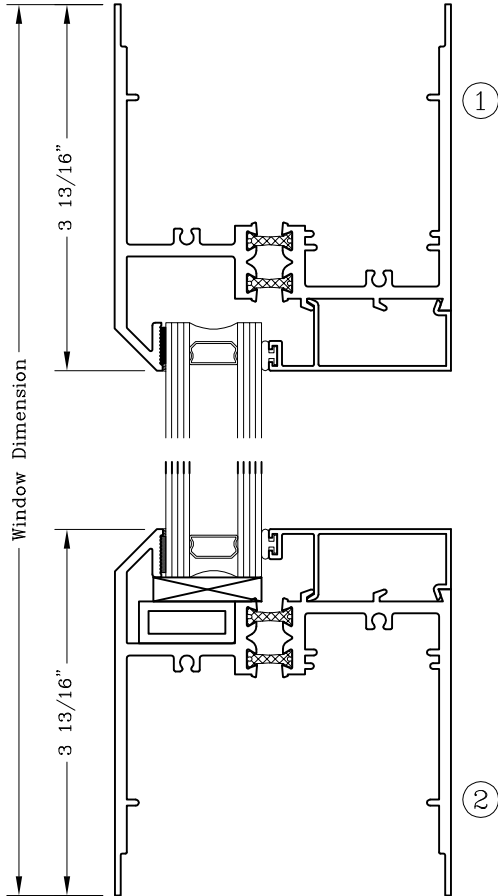
Extended Sightline

Series: S6800

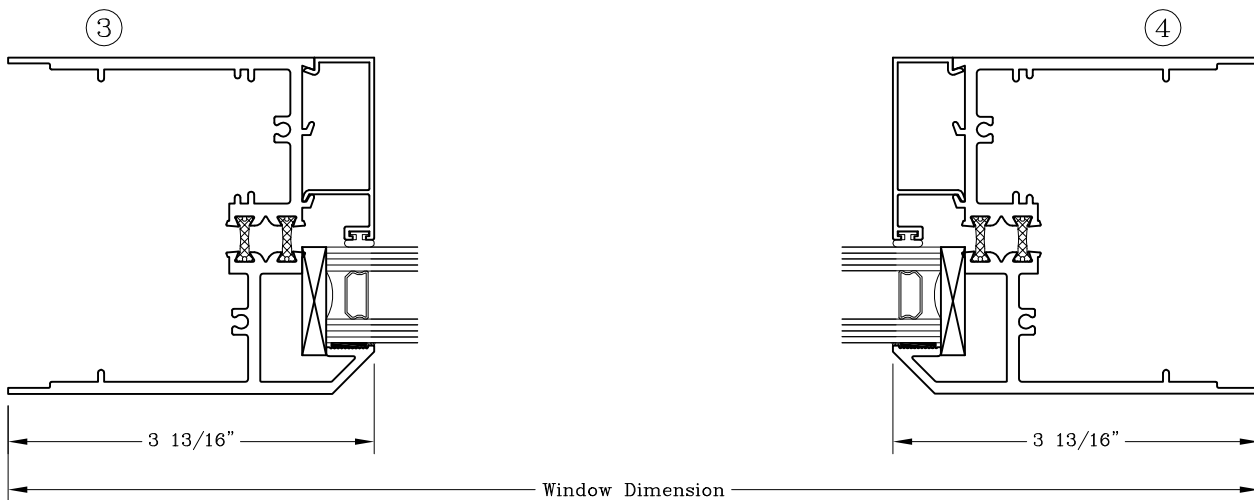
Manufacturing Code: S6817

Drawing 1/2 Scale - For Custom Size Drawing Contact Graham

Note: Sealant Not Shown On Details. Consult Technical Services At Factory For Sealing Procedures.



ELEVATION



Curtainwall Insert – 3 1/2” Fixed/Projected

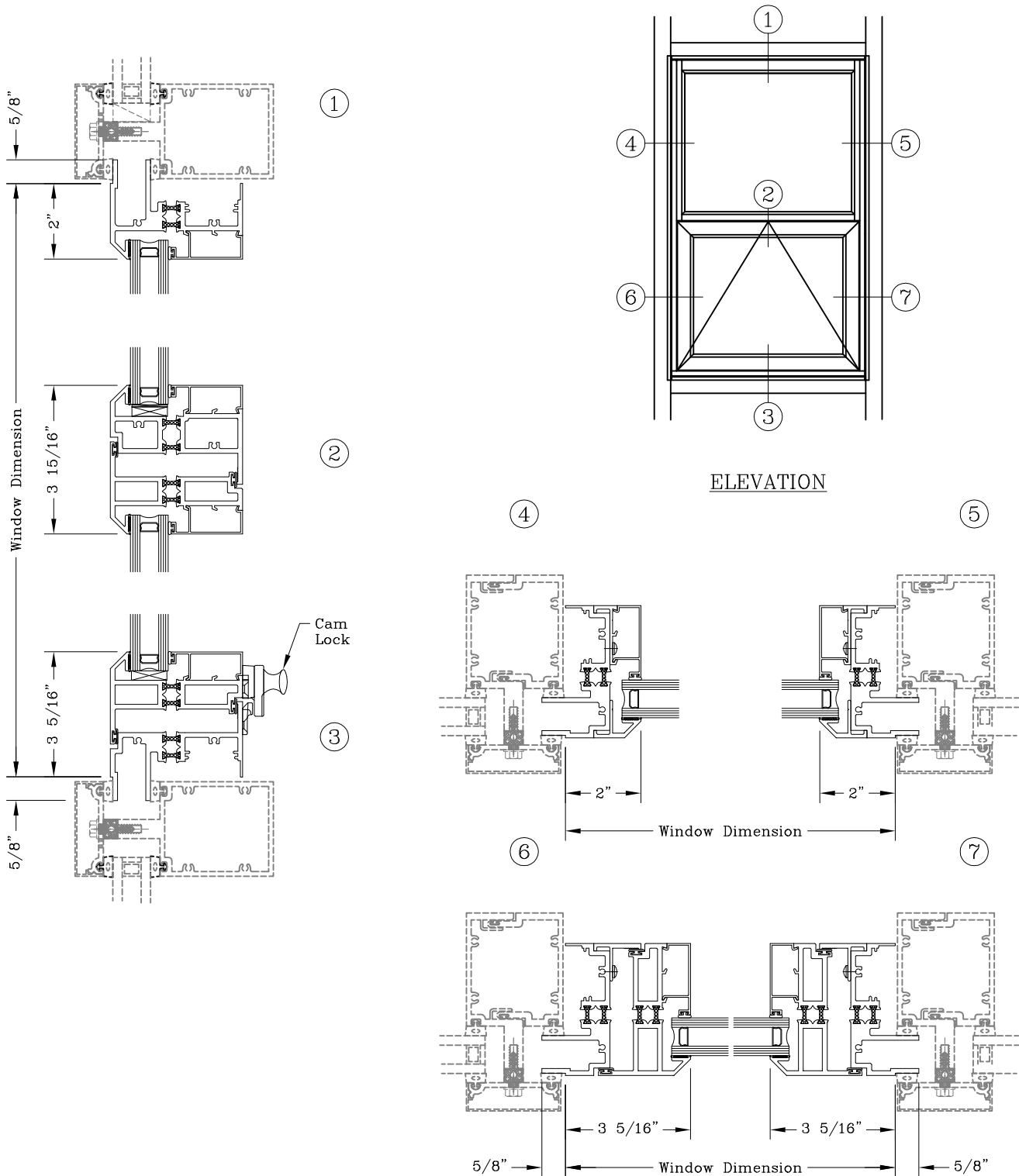


Series: S6800

Manufacturing Code: S6818

Drawing 1/4 Scale – For Custom Size Drawing Contact Graham

Note: Sealant Not Shown On Details. Consult Technical Services At Factory For Sealing Procedures.



Curtainwall Insert - 3 1/2" Casement



Series: S6800

Manufacturing Code: S6819

Drawing 1/4 Scale - For Custom Size Drawing Contact Graham

Note: Sealant Not Shown On Details. Consult Technical Services At Factory For Sealing Procedures.

