

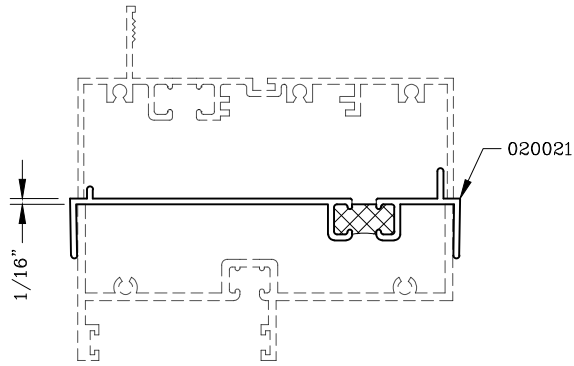
Accessories - 4" Products



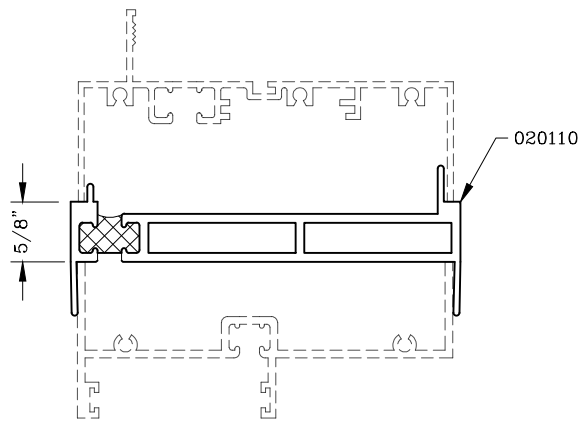
Series: Accessories Manufacturing Code: AC05A

Drawing 1/2 Scale - For Custom Size Drawing Contact Graham

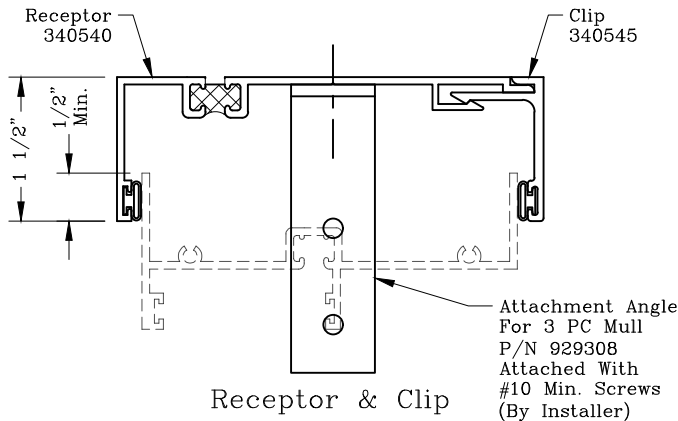
Note: Sealant Not Shown On Details. Refer To General Installation Instructions.



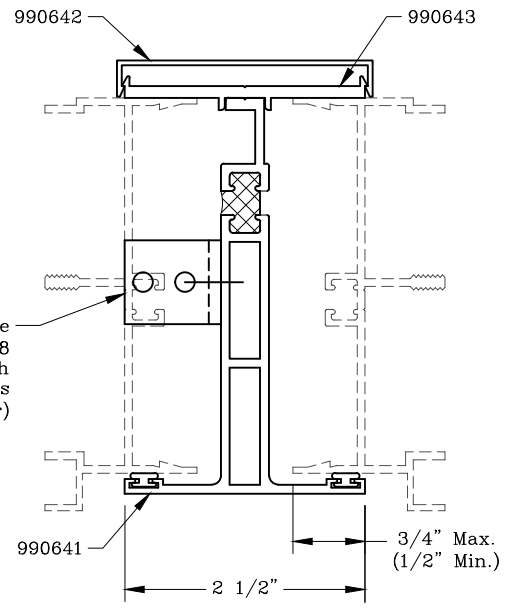
Stack Mull



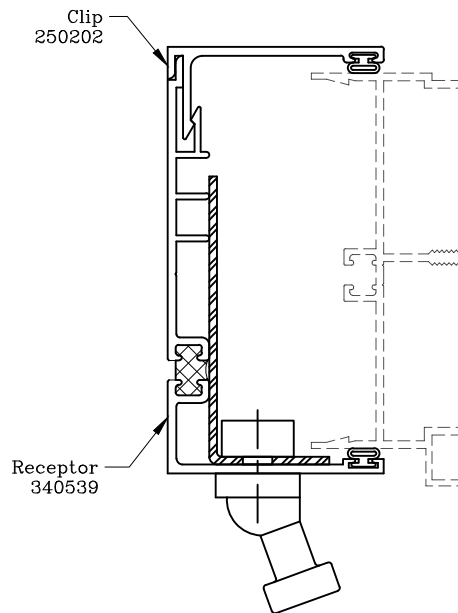
Tube Stack Mull



Receptor & Clip



3 Piece Mull



Receptor & Clip
(To Be Used In Applications Requiring Window Cleaner Bolts)

Graham Architectural Products reserves the right to change, add, cancel, remove or otherwise modify the details illustrated without prior notice.

1551 Mt. Rose Avenue, York, Pennsylvania 17403-2909 800/755-6274 Fax: 800/366-5097

Web Site: www.grahamwindows.com

0522 - AC.05A

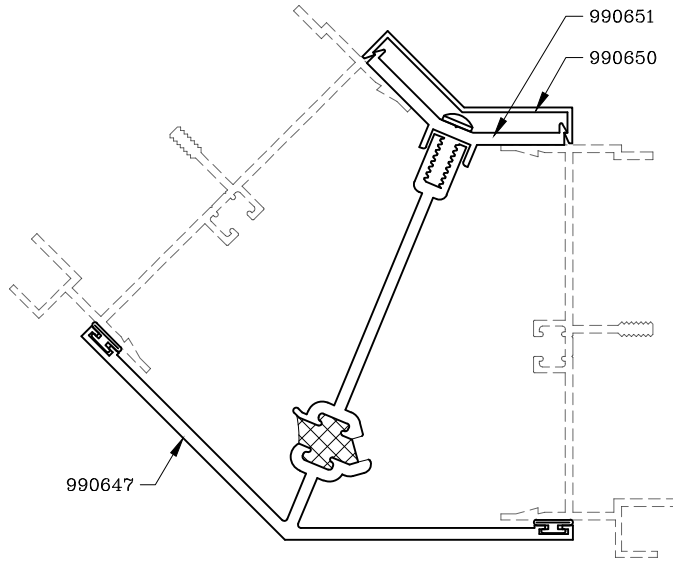
Accessories – 4” Products



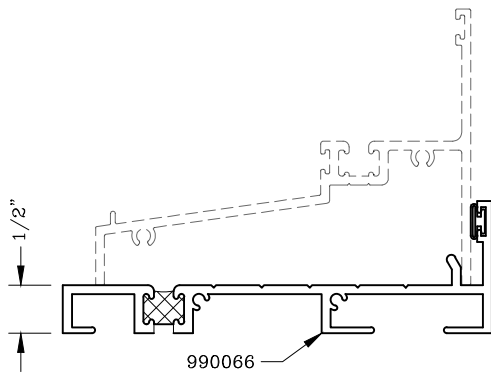
Series: Accessories Manufacturing Code: AC05B

Drawing 1/2 Scale – For Custom Size Drawing Contact Graham

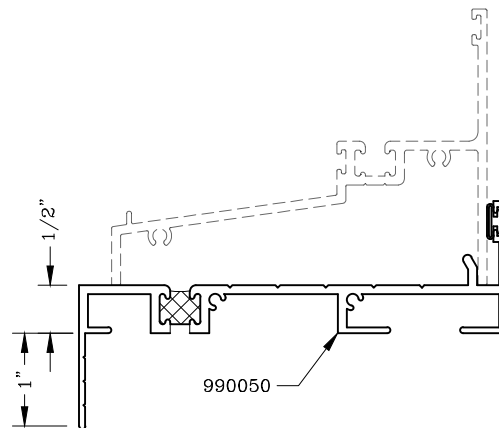
Note: Sealant Not Shown On Details. Refer To General Installation Instructions.



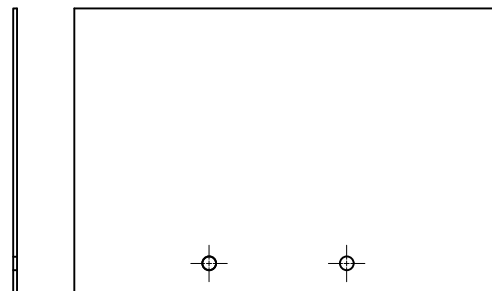
3 Piece 45° Corner Mull



Equal Leg Sill Starter
(Shown With 2200 Series Sill)



Sill Starter With 1" Flange
(Shown With 2200 Series Sill)



End Cap For Sill Starters Shown
P/N 928162
Attached With
#6 x 3/4 PH PN LP 410
P/N 939097

Graham Architectural Products reserves the right to change, add, cancel, remove or otherwise modify the details illustrated without prior notice.

1551 Mt. Rose Avenue, York, Pennsylvania 17403-2909 800/755-6274 Fax: 800/366-5097

Web Site: www.grahamwindows.com

0522 – AC.05B

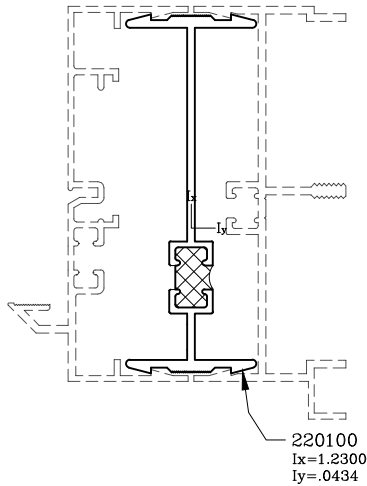
Accessories – 4” Products



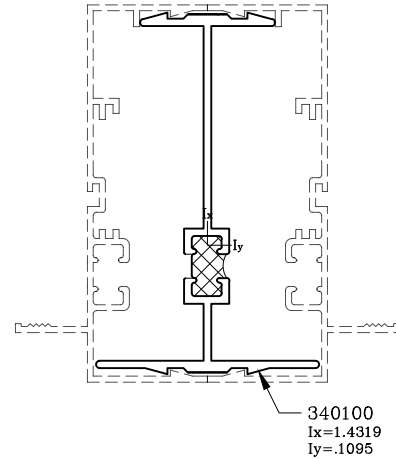
Series: Accessories Manufacturing Code: AC05C

Drawing 1/2 Scale – For Custom Size Drawing Contact Graham

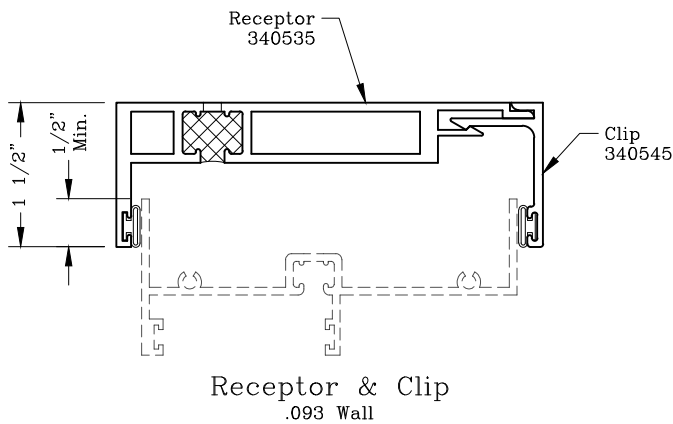
Note: Sealant Not Shown On Details. Refer To General Installation Instructions.



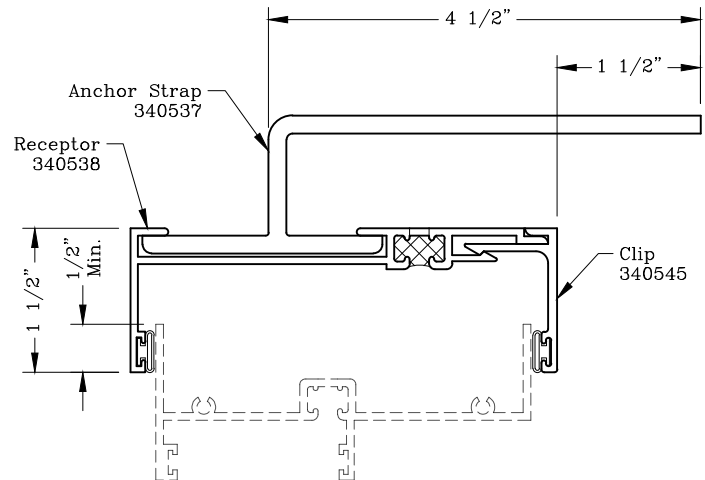
Zero Mull
(1400H To 2200 Series Shown)



Zero Mull
(1400 To 1400 Series Shown)



Receptor & Clip
.093 Wall



Receptor & Clip
With Anchor Strap

Graham Architectural Products reserves the right to change, add, cancel, remove or otherwise modify the details illustrated without prior notice.

1551 Mt. Rose Avenue, York, Pennsylvania 17403-2909 800/755-6274 Fax: 800/366-5097

Web Site: www.grahamwindows.com

0522 – AC.05C

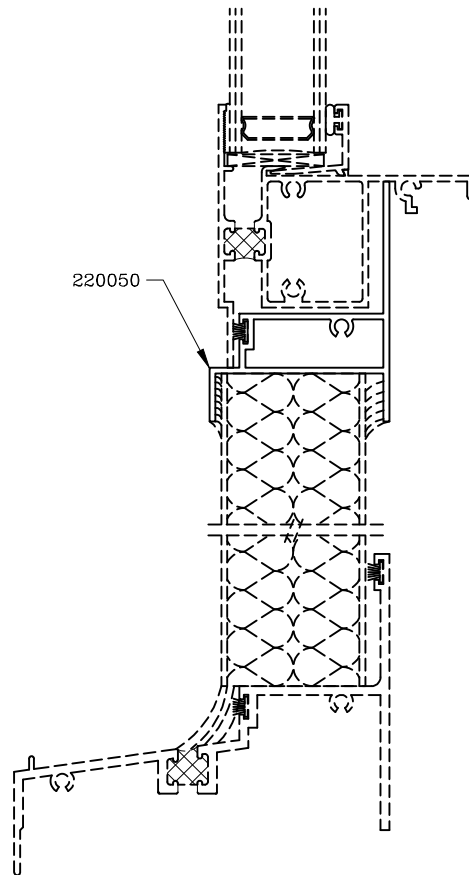
Accessories – 4” Products



Series: Accessories Manufacturing Code: AC05E

Drawing 1/2 Scale – For Custom Size Drawing Contact Graham

Note: Sealant Not Shown On Details. Refer To General Installation Instructions.



Panel Adapter
(2200 Series)

Graham Architectural Products reserves the right to change, add, cancel, remove or otherwise modify the details illustrated without prior notice.

1551 Mt. Rose Avenue, York, Pennsylvania 17403-2909 800/755-6274 Fax: 800/366-5097

Web Site: www.grahamwindows.com

0521 – AC.05E

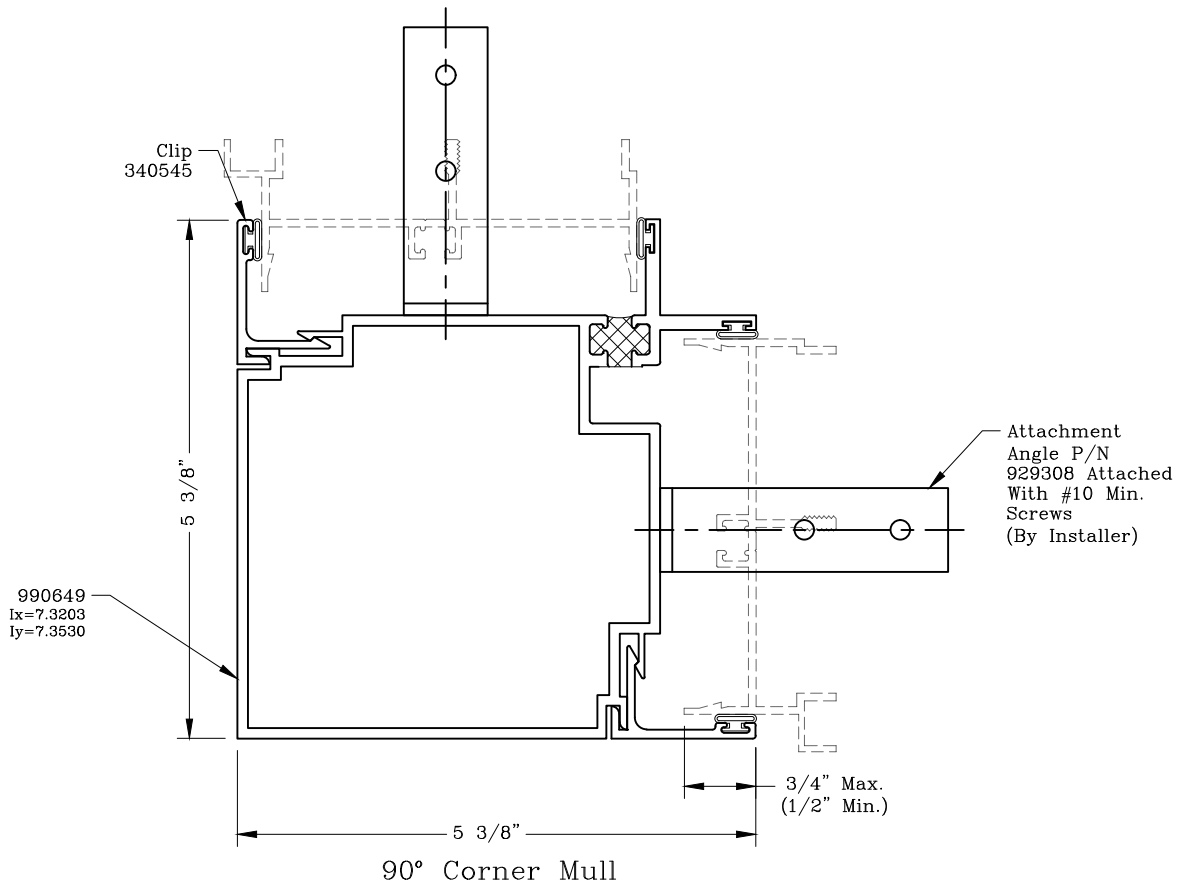
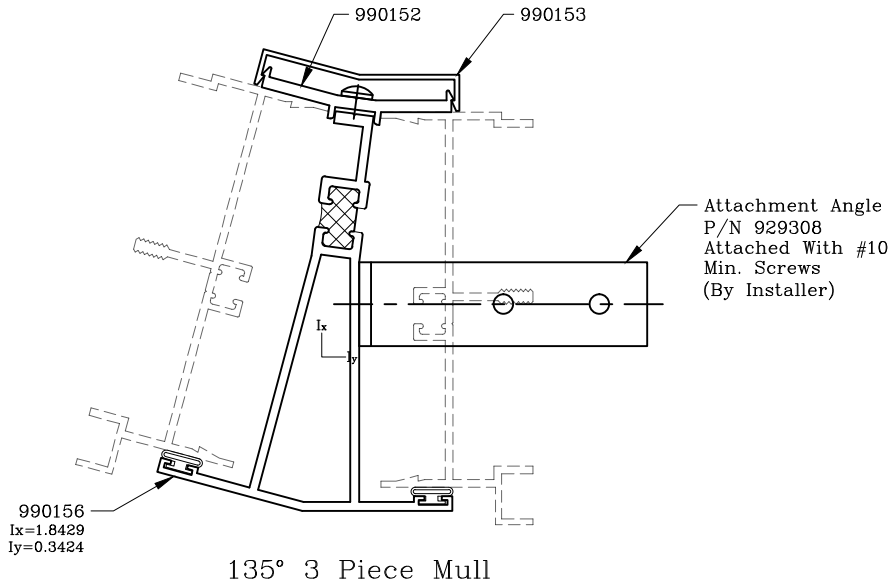
Accessories – 4" Products



Series: Accessories Manufacturing Code: AC05G

Drawing 1/2 Scale – For Custom Size Drawing Contact Graham

Note: Sealant Not Shown On Details. Refer To General Installation Instructions.



Graham Architectural Products reserves the right to change, add, cancel, remove or otherwise modify the details illustrated without prior notice.

1551 Mt. Rose Avenue, York, Pennsylvania 17403-2909 800/755-6274 Fax: 800/366-5097

Web Site: www.grahamwindows.com

0522 – AC.05G

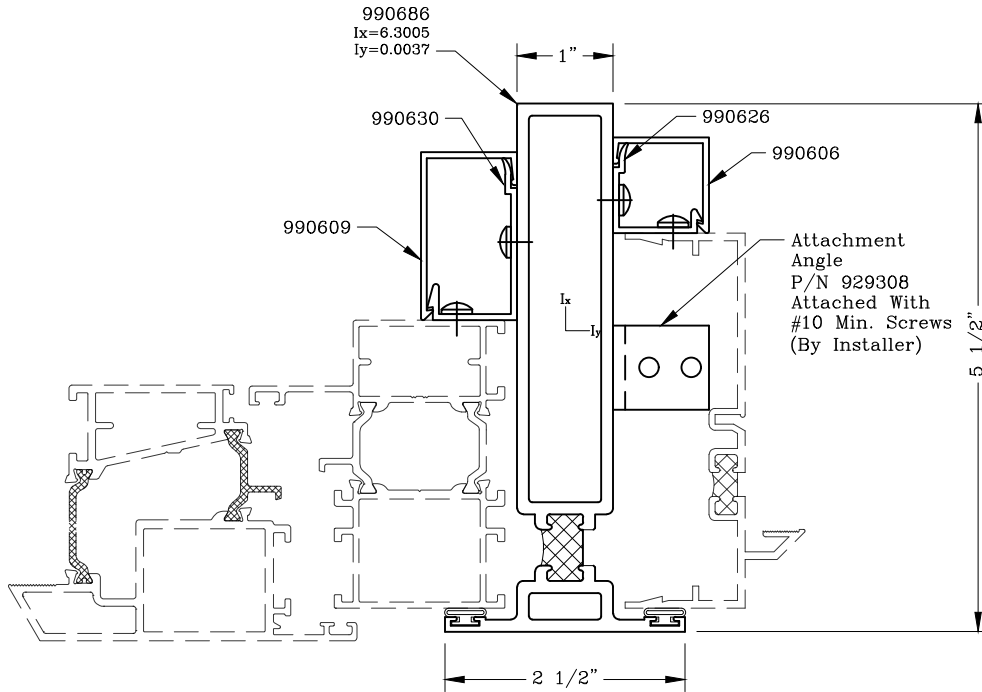
Accessories – 4” Products



Series: Accessories Manufacturing Code: AC05H

Drawing 1/2 Scale – For Custom Size Drawing Contact Graham

Note: Sealant Not Shown On Details. Refer To General Installation Instructions.



Transition Mull

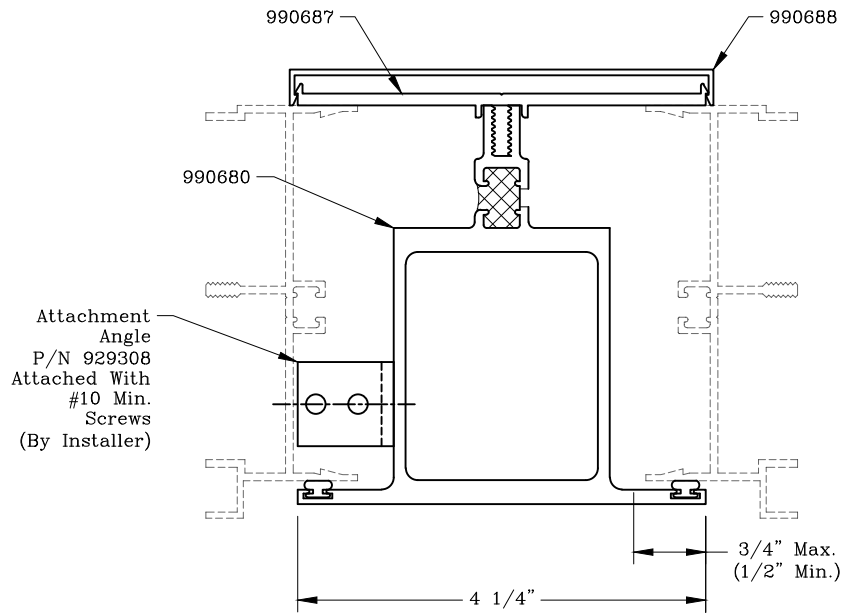
Accessories – 4” Products



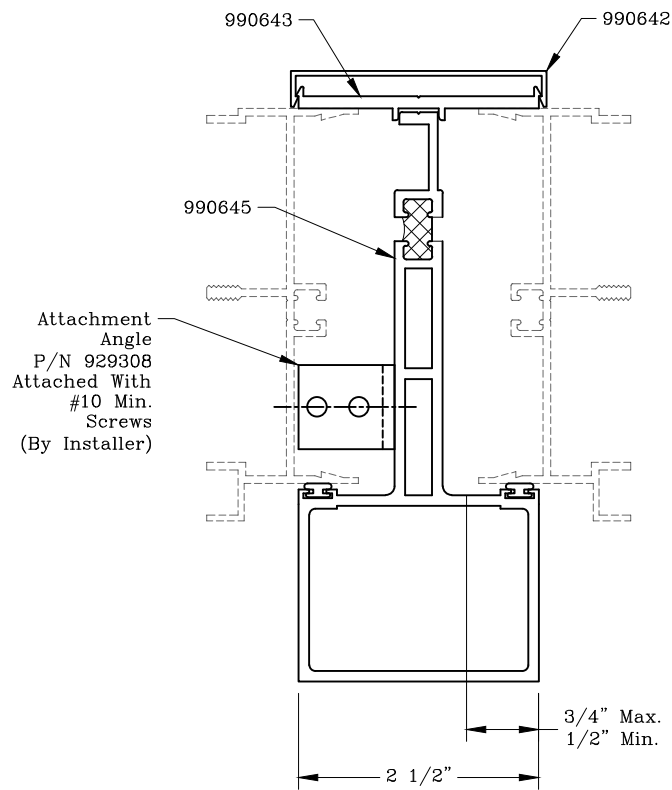
Series: Accessories Manufacturing Code: AC05i

Drawing 1/2 Scale – For Custom Size Drawing Contact Graham

Note: Sealant Not Shown On Details. Refer To General Installation Instructions.



3 Piece Mull



3 Piece Tube Mull

Graham Architectural Products reserves the right to change, add, cancel, remove or otherwise modify the details illustrated without prior notice.

1551 Mt. Rose Avenue, York, Pennsylvania 17403-2909 800/755-6274 Fax: 800/366-5097

0522 – AC.05i

Web Site: www.grahamwindows.com

Accessories – GT 4" Products

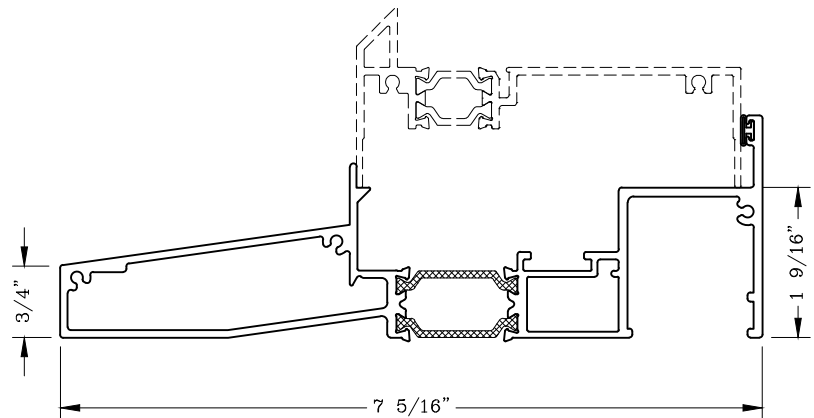
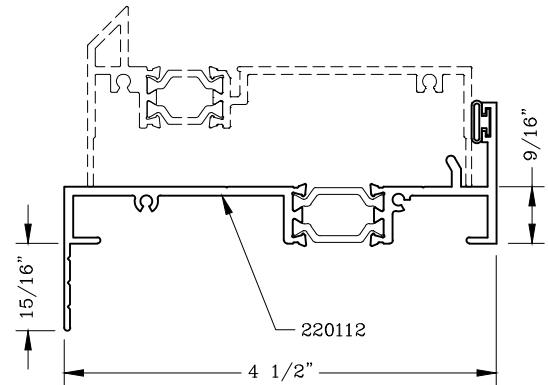
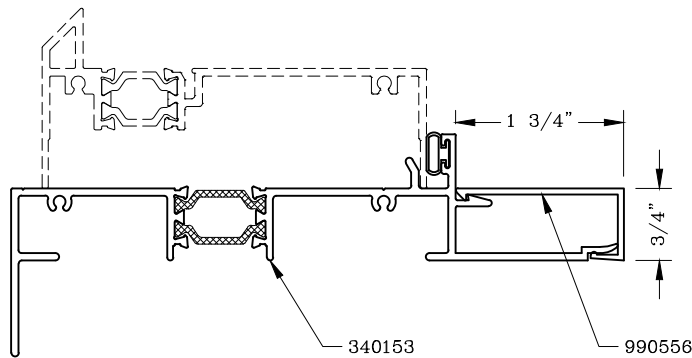
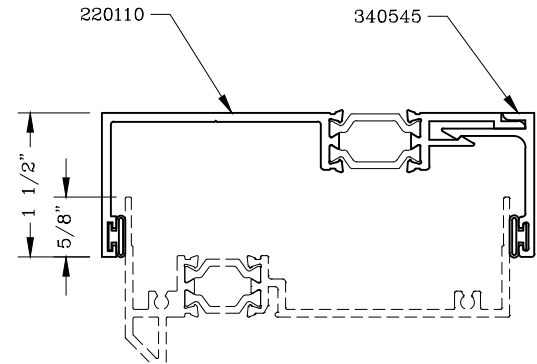
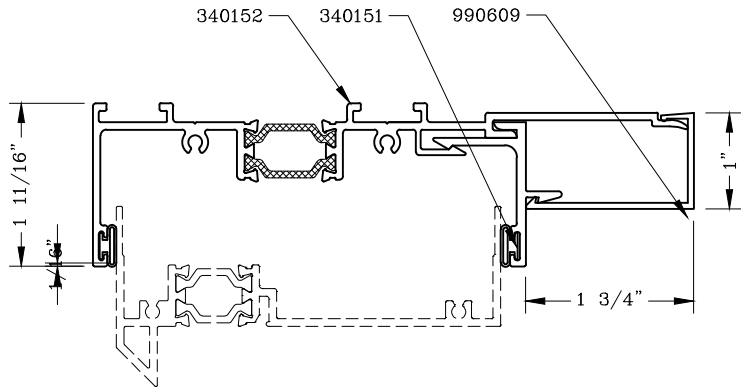


Series:

Manufacturing Code: AC05J

Drawing 1/2 Scale – For Custom Size Drawing Contact Graham

Note: Sealant Not Shown On Details. Refer To General Installation Instructions.



Graham Architectural Products reserves the right to change, add, cancel, remove or otherwise modify the details illustrated without prior notice.

1551 Mt. Rose Avenue, York, Pennsylvania 17403-2909 800/755-6274 Fax: 800/366-5097

Web Site: www.grahamwindows.com

0522 – AC.05J

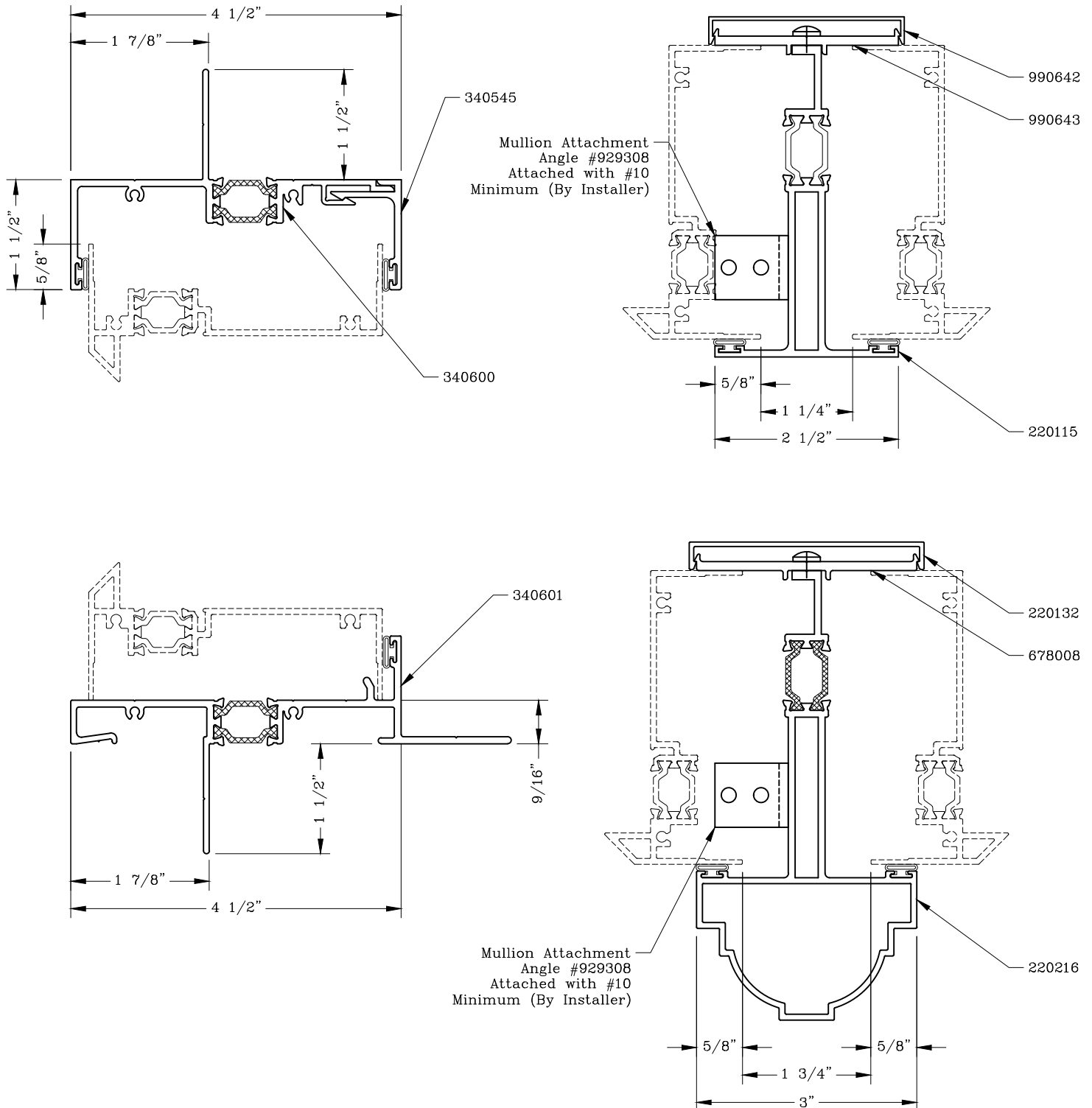
Accessories – GT 4" Products



Series: Manufacturing Code: AC05K

Drawing 1/2 Scale – For Custom Size Drawing Contact Graham

Note: Sealant Not Shown On Details. Refer To General Installation Instructions.



Graham Architectural Products reserves the right to change, add, cancel, remove or otherwise modify the details illustrated without prior notice.

1551 Mt. Rose Avenue, York, Pennsylvania 17403-2909 800/755-6274 Fax: 800/366-5097

Web Site: www.grahamwindows.com

0522 – AC.05K

Accessories – GT 4" Products

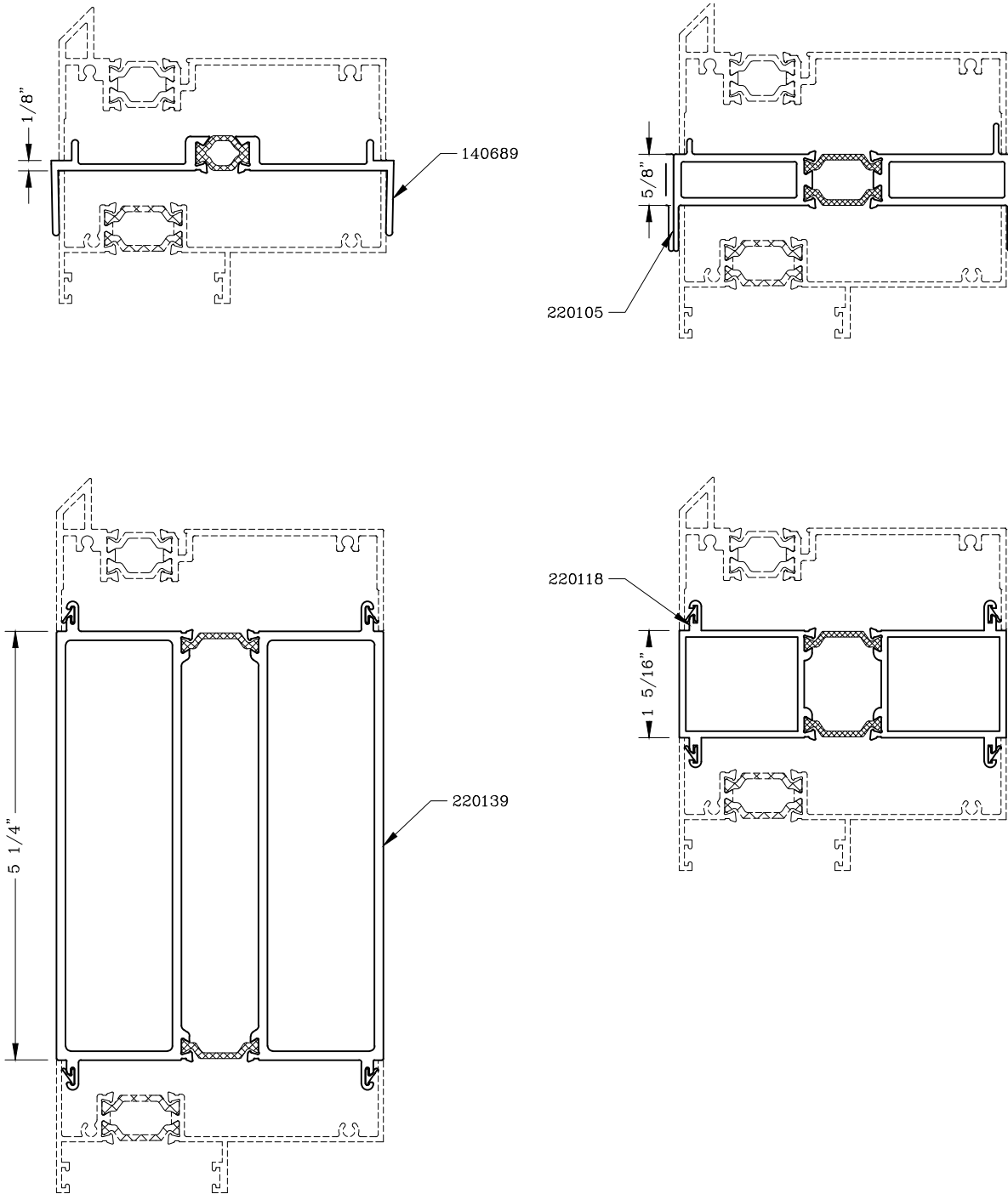


Series:

Manufacturing Code: AC05L

Drawing 1/2 Scale – For Custom Size Drawing Contact Graham

Note: Sealant Not Shown On Details. Refer To General Installation Instructions.



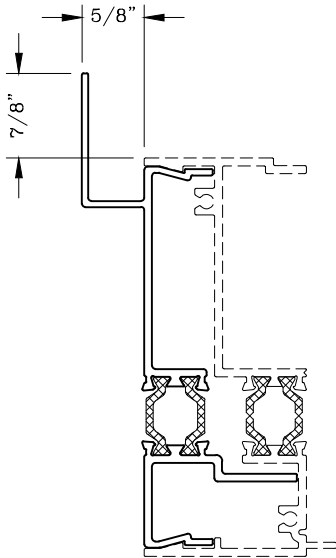
Accessories – GT 4" Products



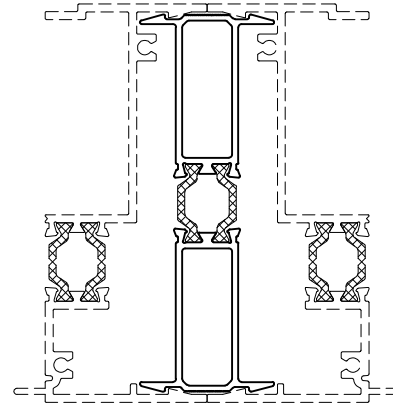
Series: Accessories Manufacturing Code: AC05M

Drawing 1/2 Scale – For Custom Size Drawing Contact Graham

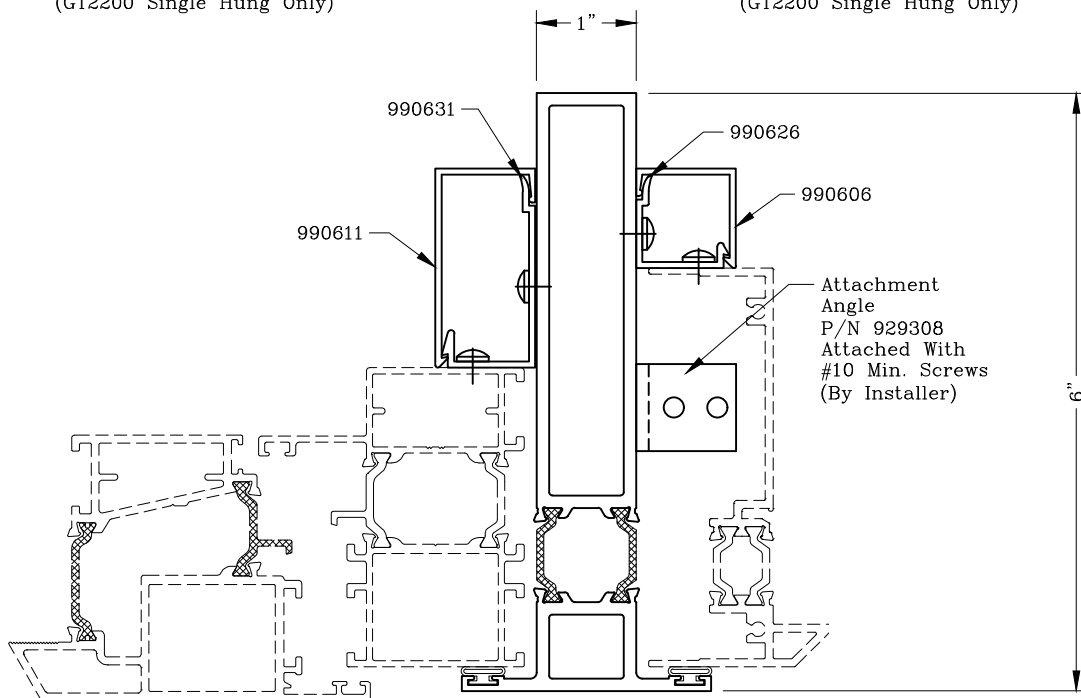
Note: Sealant Not Shown On Details. Refer To General Installation Instructions.



Strap Anchor
220133
(GT2200 Single Hung Only)



Zero Mullion
220134
(GT2200 Single Hung Only)



Transition Mullion
140687

Graham Architectural Products reserves the right to change, add, cancel, remove or otherwise modify the details illustrated without prior notice.

1551 Mt. Rose Avenue, York, Pennsylvania 17403-2909 717.849.8100 Toll Free: 800/755-6274

0823 – AC.05M

Web Site: www.grahamwindows.com

Accessories – 4" Product

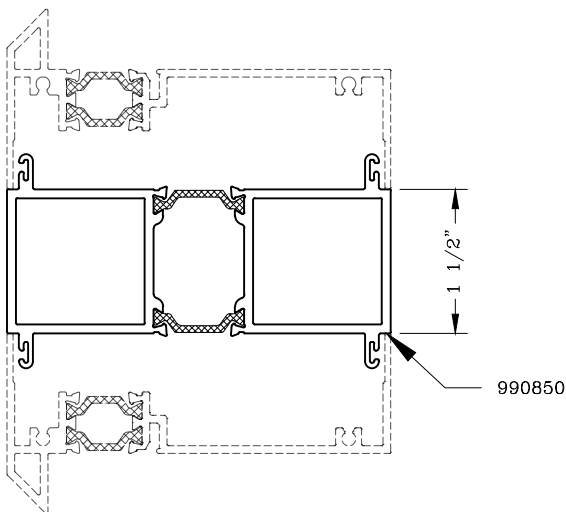
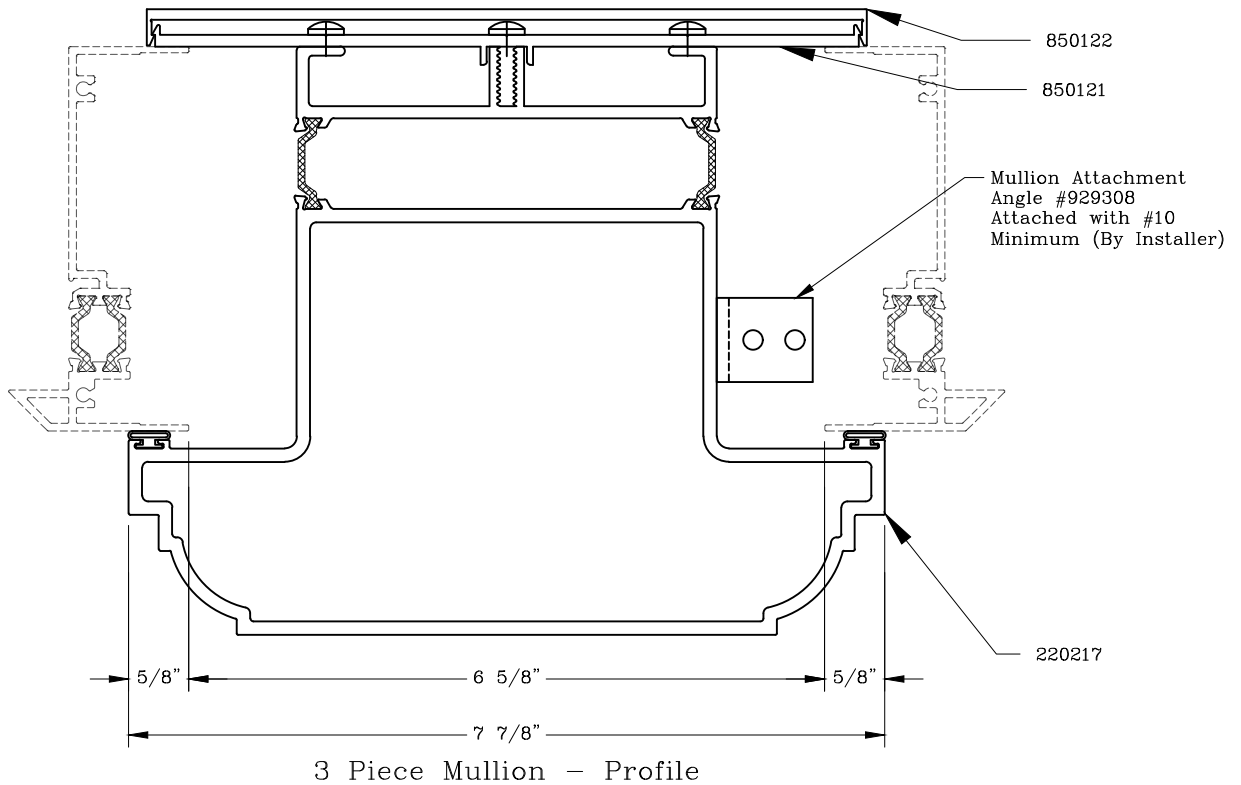


Series:

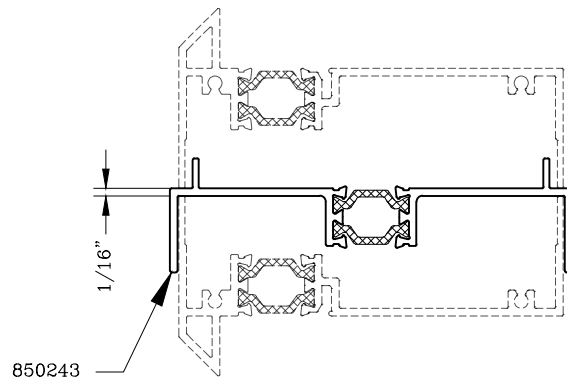
Manufacturing Code: AC05N

Drawing 1/2 Scale – For Custom Size Drawing Contact Graham

Note: Sealant Not Shown On Details. Refer To General Installation Instructions.



Stack Mullion
1 1/2" Face



Stack Mullion

Graham Architectural Products reserves the right to change, add, cancel, remove or otherwise modify the details illustrated without prior notice.

1551 Mt. Rose Avenue, York, Pennsylvania 17403-2909 800/755-6274 Fax: 800/366-5097

Web Site: www.grahamwindows.com

0522 – AC.05N

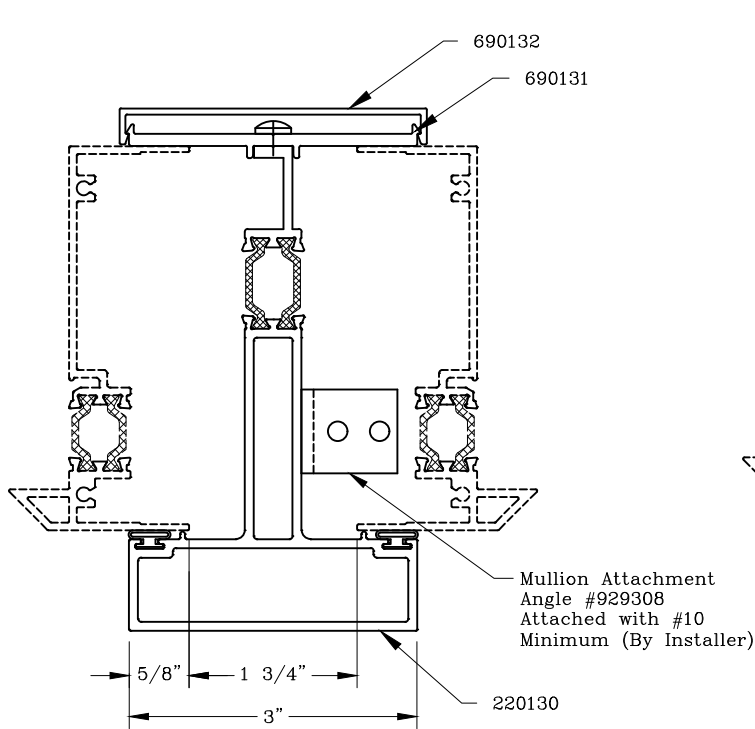
Accessories – 4" Products



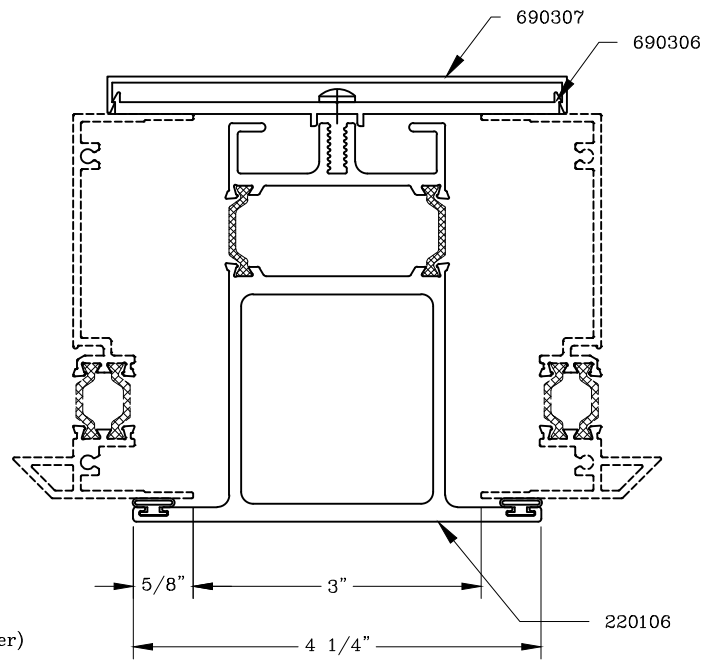
Series: Manufacturing Code: AC050

Drawing 1/2 Scale – For Custom Size Drawing Contact Graham

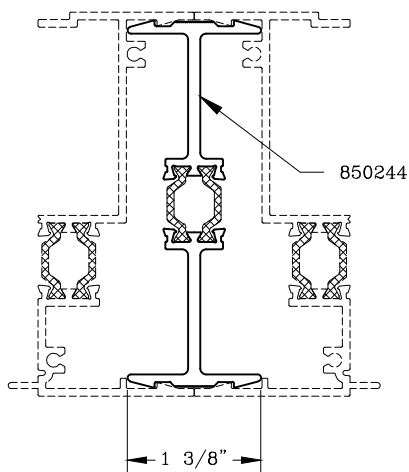
Note: Sealant Not Shown On Details. Refer To General Installation Instructions.



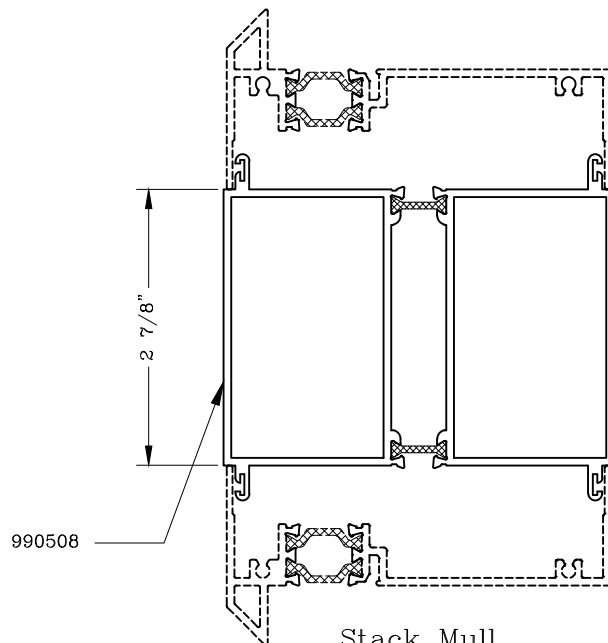
3 Piece Tube Mull
3" Face



3 Piece Mull
4 1/4" Face



Zero Mull



Stack Mull
2 7/8" Face

Graham Architectural Products reserves the right to change, add, cancel, remove or otherwise modify the details illustrated without prior notice.

1551 Mt. Rose Avenue, York, Pennsylvania 17403-2909 800/755-6274 Fax: 800/366-5097

0522 – AC.050

Web Site: www.grahamwindows.com

Accessories – 4" Products

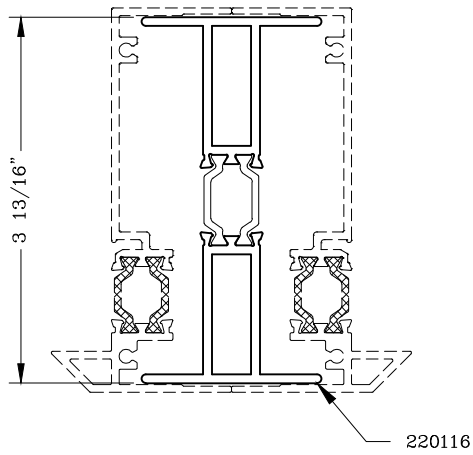


Series:

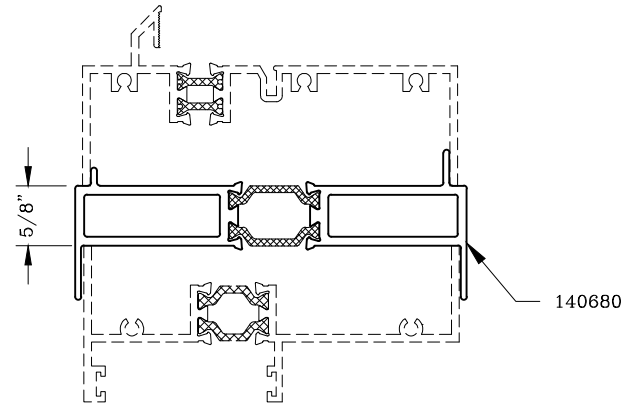
Manufacturing Code: AC05P

Drawing 1/2 Scale – For Custom Size Drawing Contact Graham

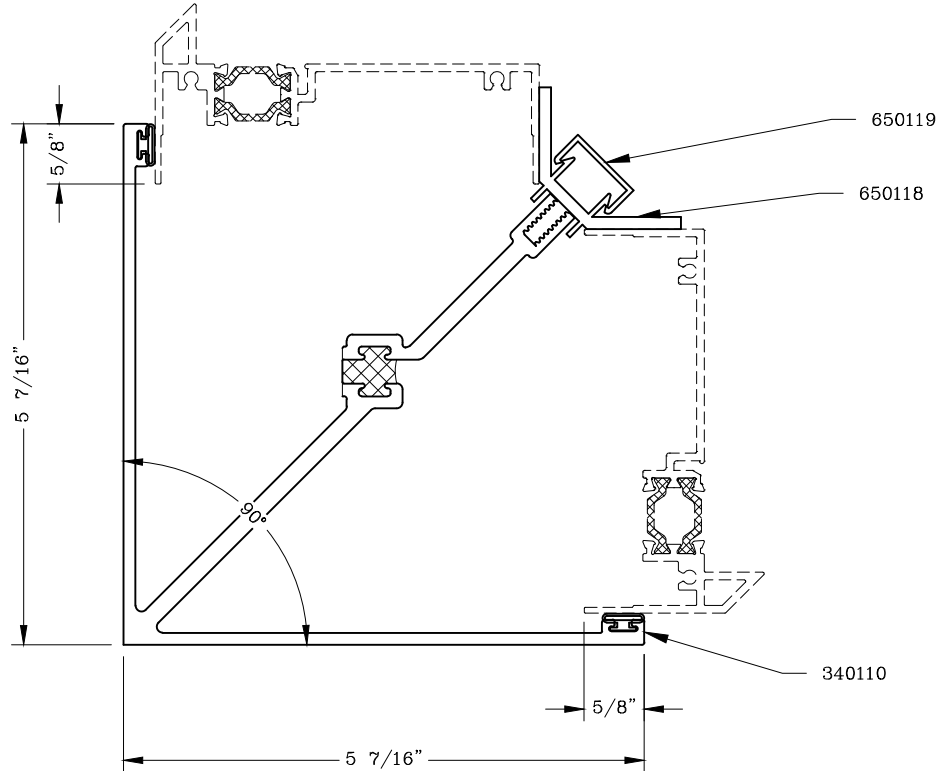
Note: Sealant Not Shown On Details. Refer To General Installation Instructions.



"H" Zero Mull



Stack Mullion



90° Corner Mull
5 7/16" Face

Graham Architectural Products reserves the right to change, add, cancel, remove or otherwise modify the details illustrated without prior notice.

1551 Mt. Rose Avenue, York, Pennsylvania 17403-2909 800/755-6274 Fax: 800/366-5097

Web Site: www.grahamwindows.com

0522 – AC.05P