

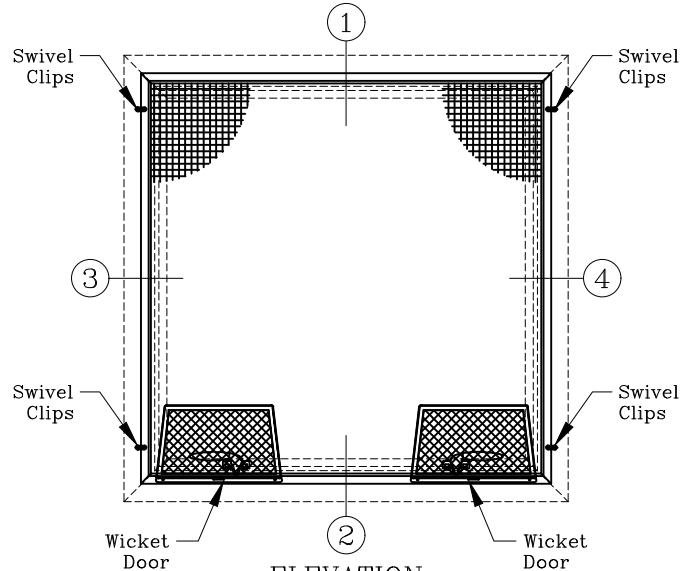
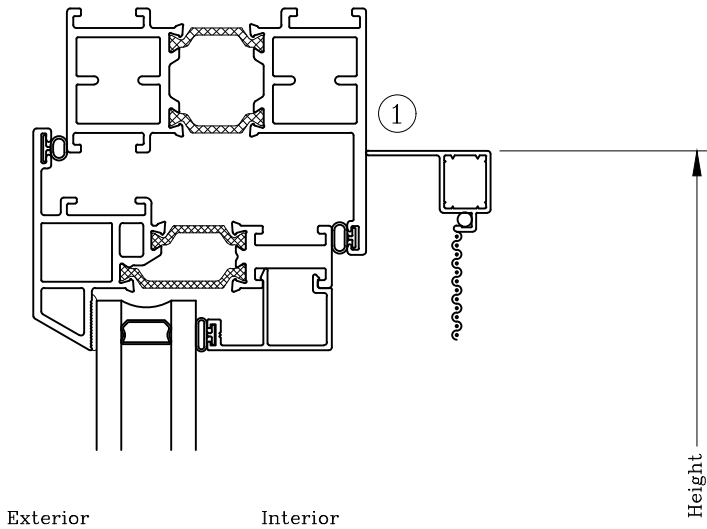
Screens – Outswing Products  
 Wicket Screen w/ Exposed Clips  
 Project-Out



Series: Accessories Manufacturing Code: SC01

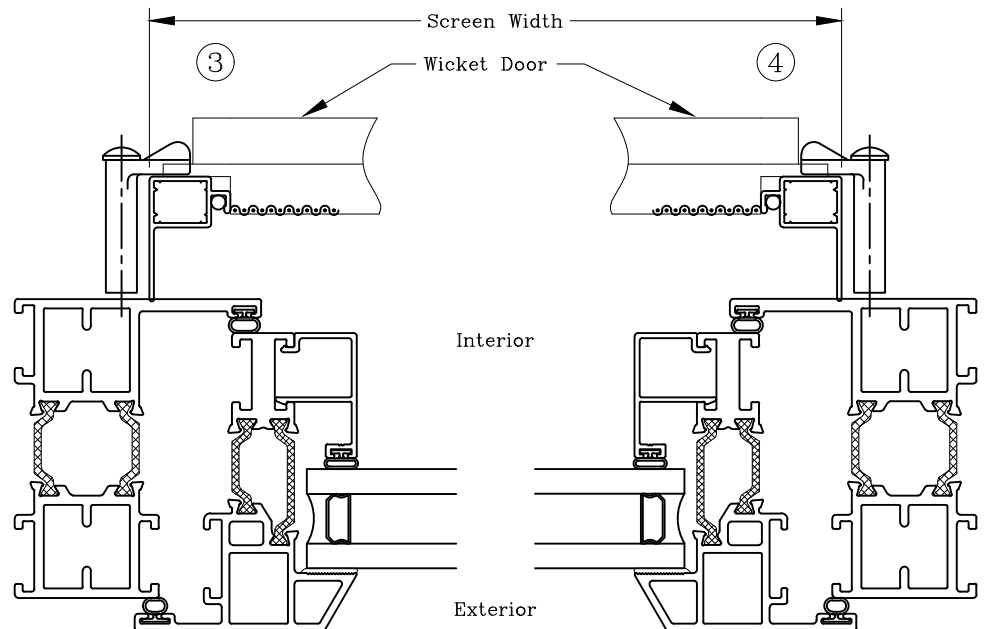
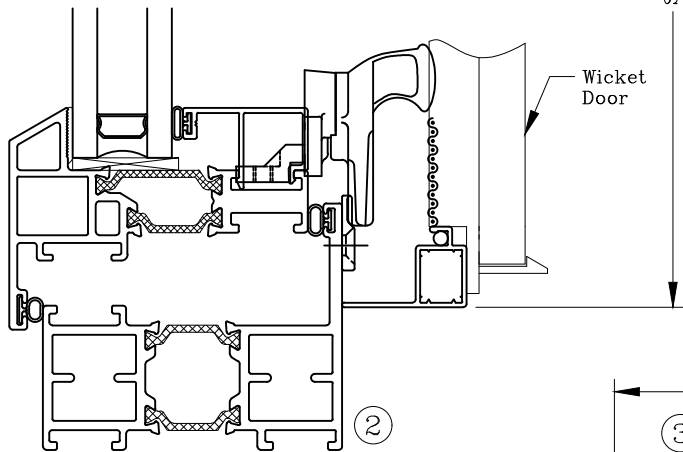
Drawing 1/2 Scale – For Custom Size Drawing Contact Graham

Note: Sealant Not Shown On Details. Refer To General Details At History For Sealing Procedures.



**ELEVATION**  
 (As Viewed From Interior)

Note: Each Wicket Door Is Located Over Each Hardware Point.



Graham Architectural Products reserves the right to change, add, cancel, remove or otherwise modify the details illustrated without prior notice.

1551 Mt. Rose Avenue, York, Pennsylvania 17403-2909 800/755-6274 Fax: 800/366-5097

0221 – SC.01

Web Site: [www.grahamwindows.com](http://www.grahamwindows.com)

# Screens – Outswing Products

## Wicket Screen w/ Concealed Clips

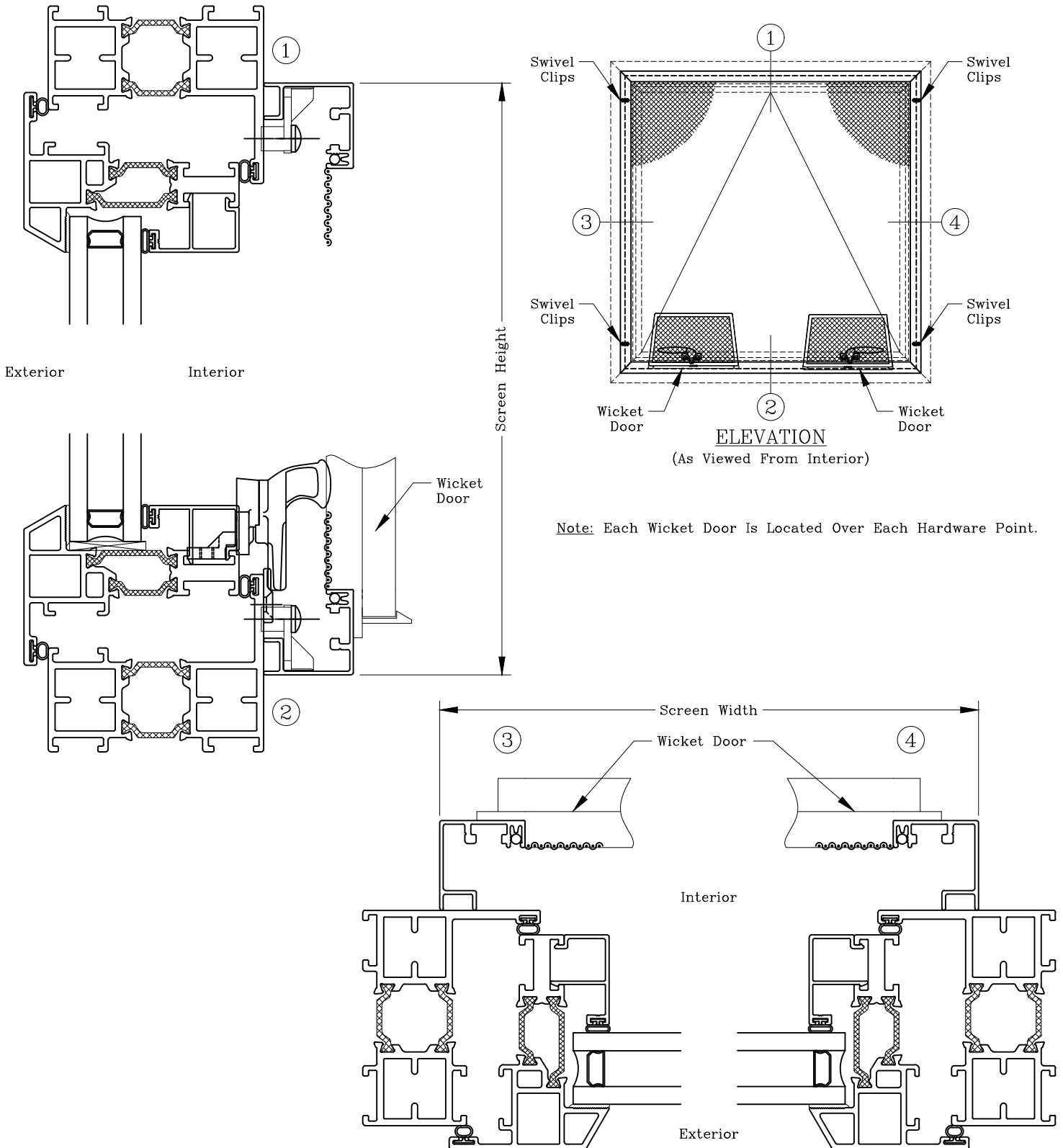
### Project-Out



Series: Accessories Manufacturing Code: SC02

Drawing 1/2 Scale – For Custom Size Drawing Contact Graham

Note: Sealant Not Shown On Details. Refer To General Details At History For Sealing Procedures.



Note: Each Wicket Door Is Located Over Each Hardware Point.

Graham Architectural Products reserves the right to change, add, cancel, remove or otherwise modify the details illustrated without prior notice.

1551 Mt. Rose Avenue, York, Pennsylvania 17403-2909 800/755-6274 Fax: 800/366-5097

0221 – SC.02

Web Site: [www.grahamwindows.com](http://www.grahamwindows.com)

# Screens – Inswing Products

## Top Hung Plunger Screen

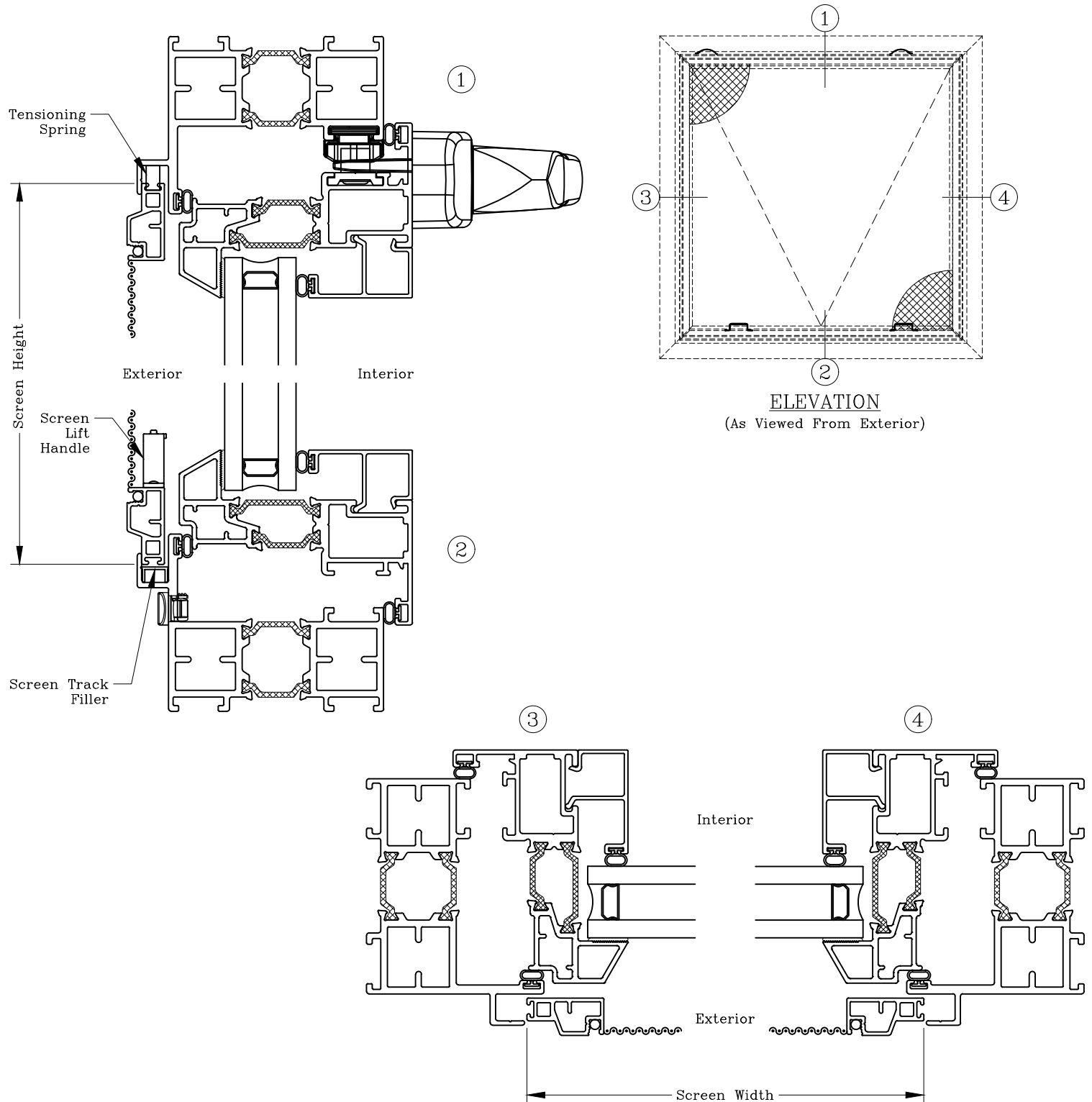
### Project-In



Series: Accessories Manufacturing Code: SC03

Drawing 1/2 Scale – For Custom Size Drawing Contact Graham

Note: Sealant Not Shown On Details. Refer To General Installation Instructions For Sealing Procedures.



Graham Architectural Products reserves the right to change, add, cancel, remove or otherwise modify the details illustrated without prior notice.

1551 Mt. Rose Avenue, York, Pennsylvania 17403-2909 800/755-6274 Fax: 800/366-5097

0221 – SC.03

Web Site: [www.grahamwindows.com](http://www.grahamwindows.com)

# Screens – Inswing Products

## Top Hung Plunger Screen

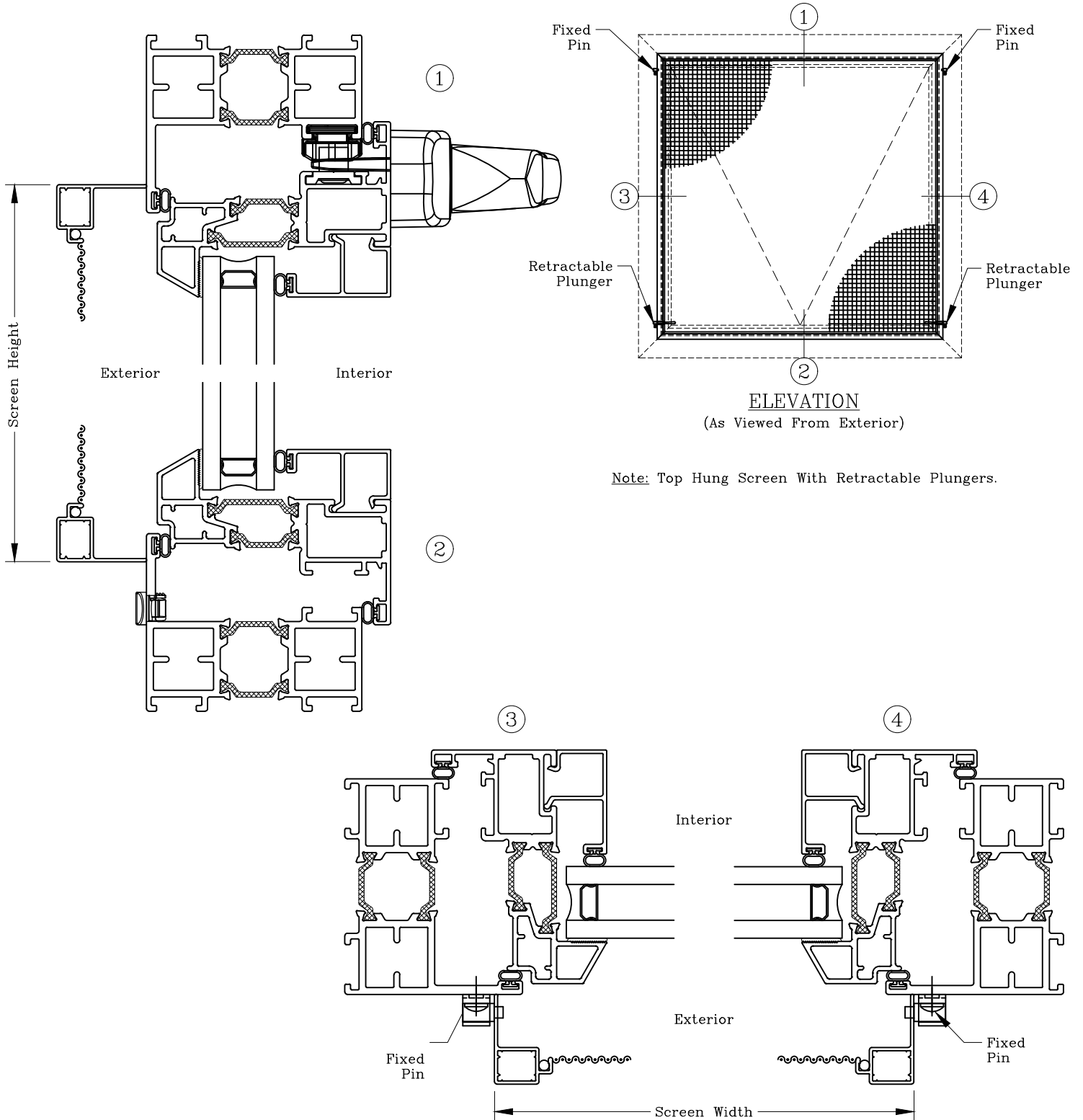
### Project-In



Series: Accessories Manufacturing Code: SC04

Drawing 1/2 Scale – For Custom Size Drawing Contact Graham

Note: Sealant Not Shown On Details. Refer To General Installation Instructions For Sealing Procedures.



Note: Top Hung Screen With Retractable Plungers.

Graham Architectural Products reserves the right to change, add, cancel, remove or otherwise modify the details illustrated without prior notice.

1551 Mt. Rose Avenue, York, Pennsylvania 17403-2909 800/755-6274 Fax: 800/366-5097

0221 – SC.04

Web Site: [www.grahamwindows.com](http://www.grahamwindows.com)

# Screens – Outswing Products

## Flat Screen w/ Roto Operator

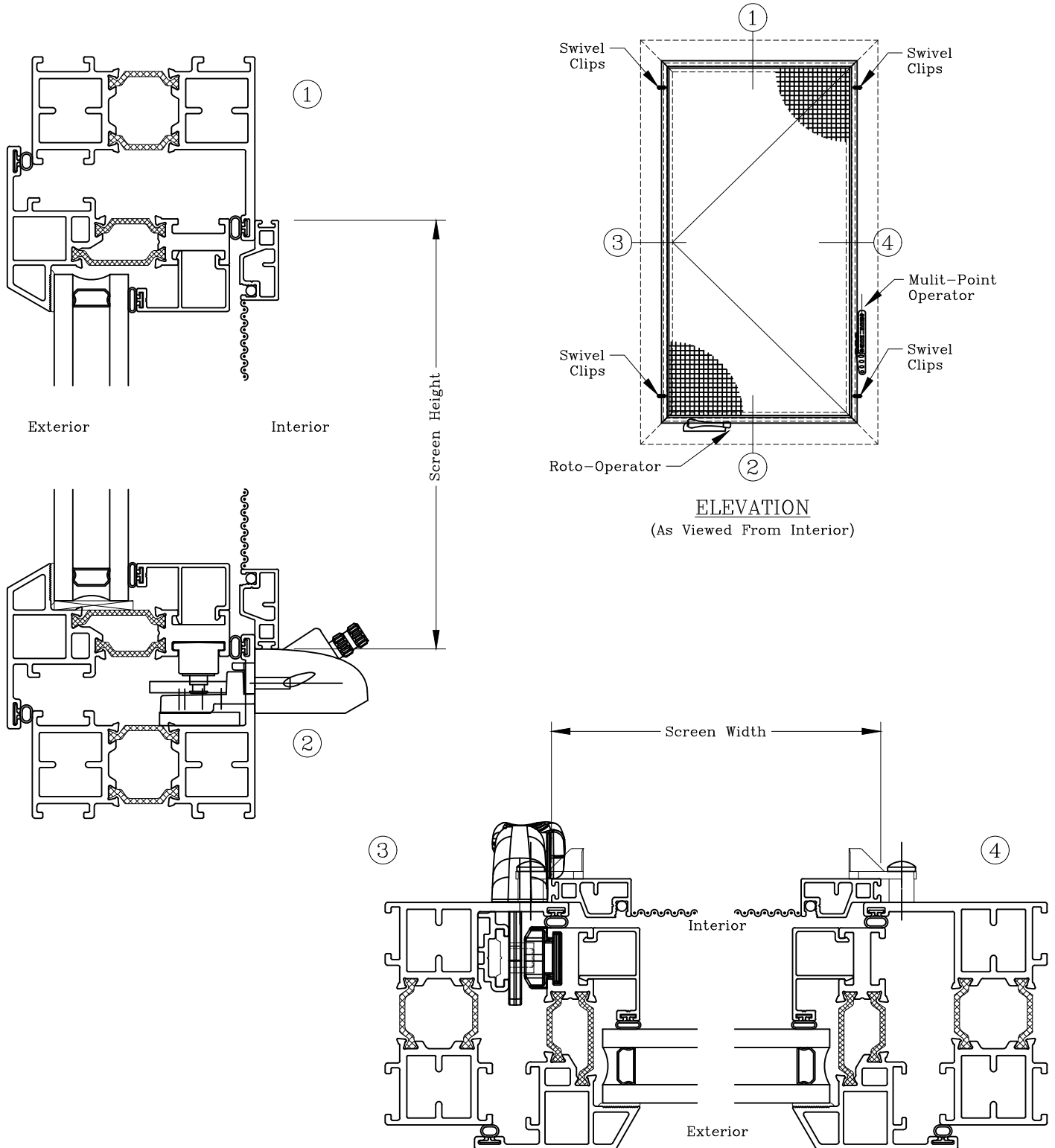
### Casement Outswing



Series: Accessories Manufacturing Code: SC05

Drawing 1/2 Scale – For Custom Size Drawing Contact Graham

Note: Sealant Not Shown On Details. Refer To General Installation Instructions For Sealing Procedures.



Graham Architectural Products reserves the right to change, add, cancel, remove or otherwise modify the details illustrated without prior notice.

1551 Mt. Rose Avenue, York, Pennsylvania 17403-2909 800/755-6274 Fax: 800/366-5097

0221 – SC.05

Web Site: [www.grahamwindows.com](http://www.grahamwindows.com)

# Screens – Outswing Products

## Continuous Hinge Wicket Screen

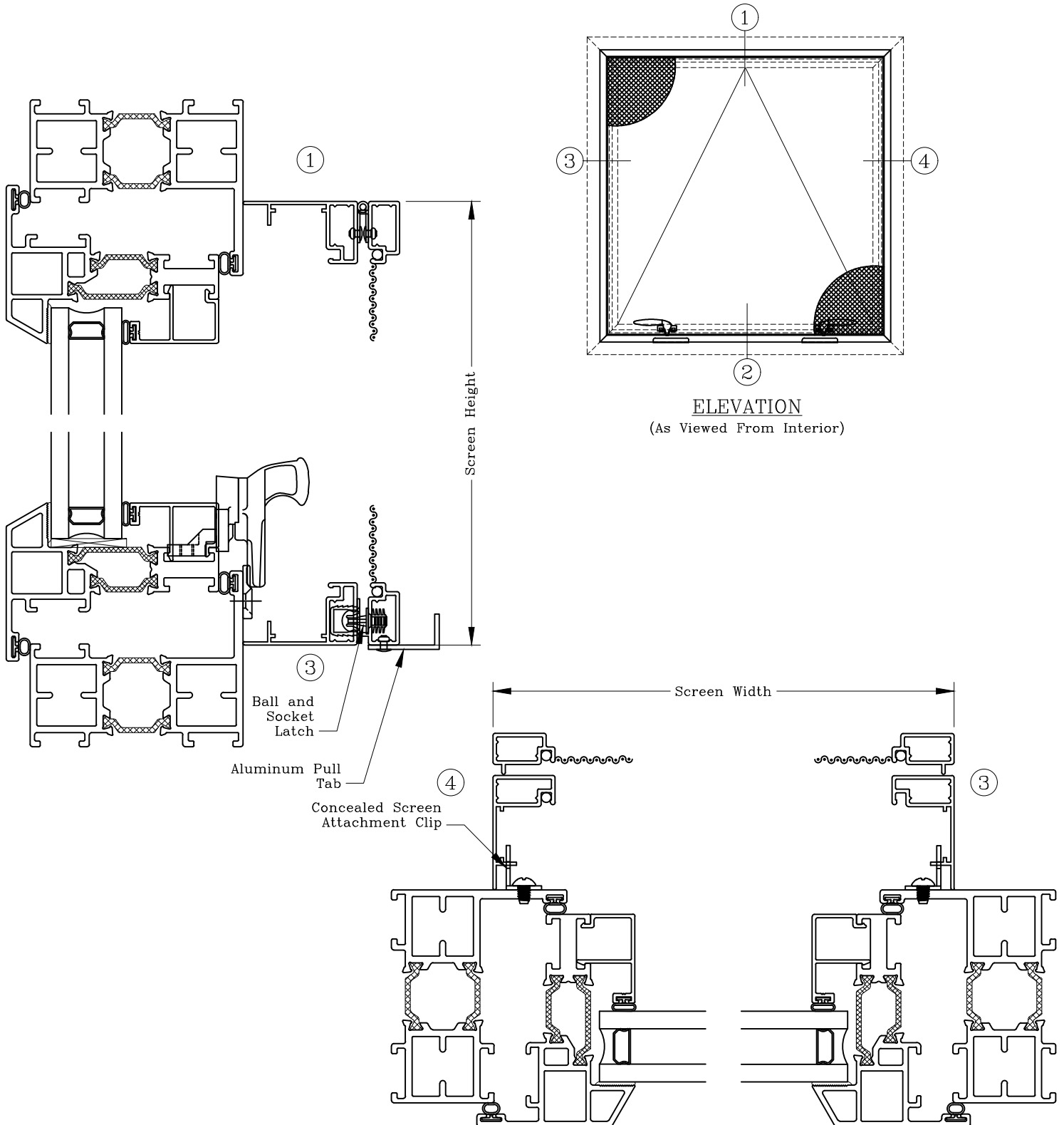
### Project-Out



Series: Accessories Manufacturing Code: SC06

Drawing 1/2 Scale – For Custom Size Drawing Contact Graham

Note: Sealant Not Shown On Details. Refer To General Installation Instructions For Sealing Procedures.



Graham Architectural Products reserves the right to change, add, cancel, remove or otherwise modify the details illustrated without prior notice.

1551 Mt. Rose Avenue, York, Pennsylvania 17403-2909 800/755-6274 Fax: 800/366-5097

0618 – SC.06

Web Site: [www.grahamwindows.com](http://www.grahamwindows.com)

# Screens – Outswing Products

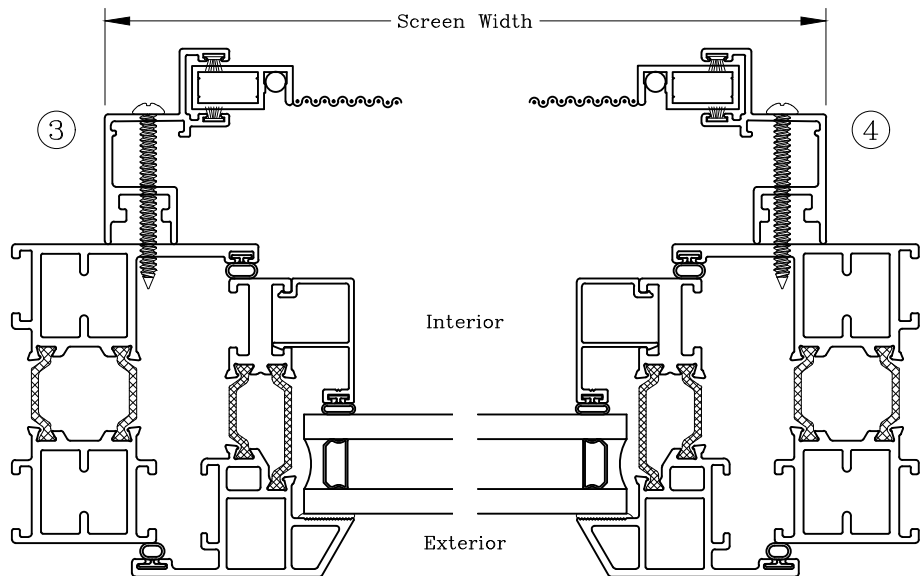
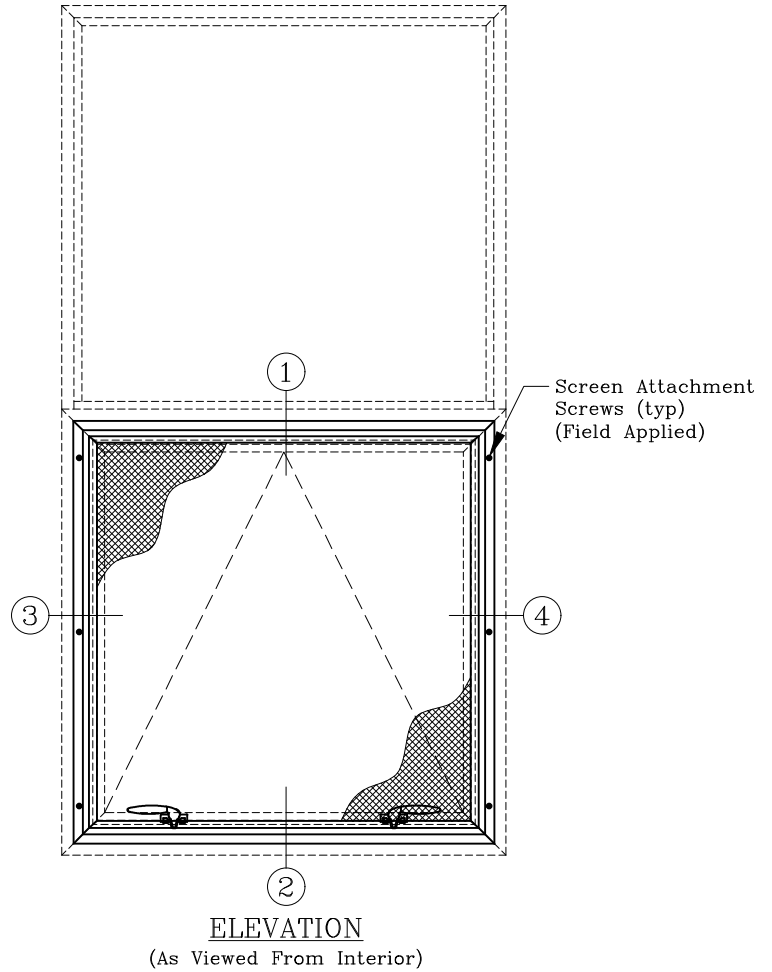
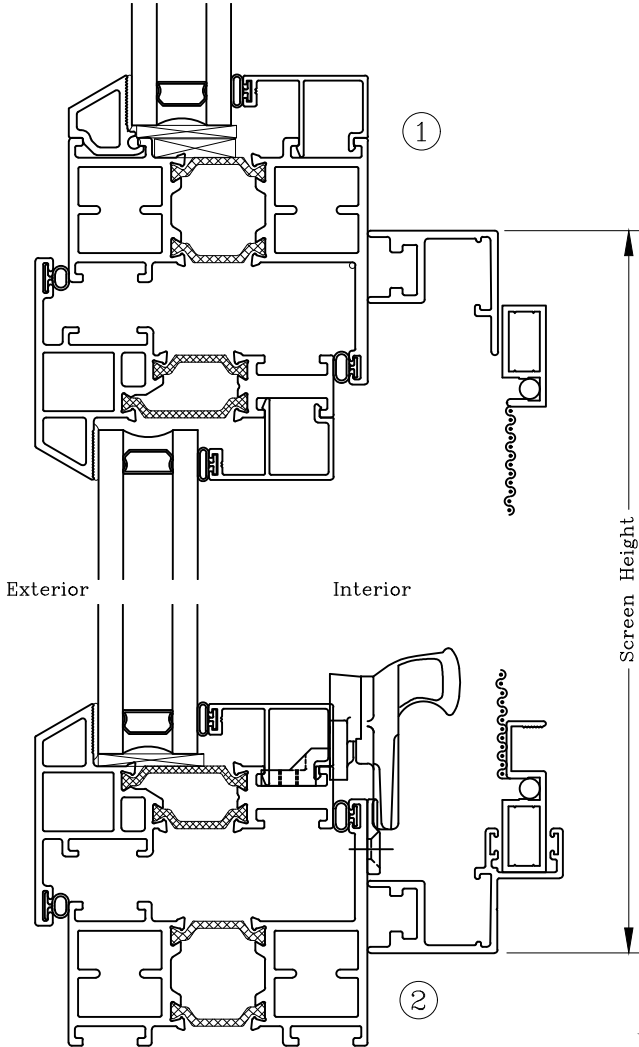
## Sliding Screen

### Project-Out

Series: Accessories Manufacturing Code: SC07

Drawing 1/2 Scale – For Custom Size Drawing Contact Graham

Note: Sealant Not Shown On Details. Refer To General Details At Historic For Sealing Procedures.



Graham Architectural Products reserves the right to change, add, cancel, remove or otherwise modify the details illustrated without prior notice.

1551 Mt. Rose Avenue, York, Pennsylvania 17403-2909 800/755-6274 Fax: 800/366-5097

0221 – SC.07

Web Site: [www.grahamwindows.com](http://www.grahamwindows.com)

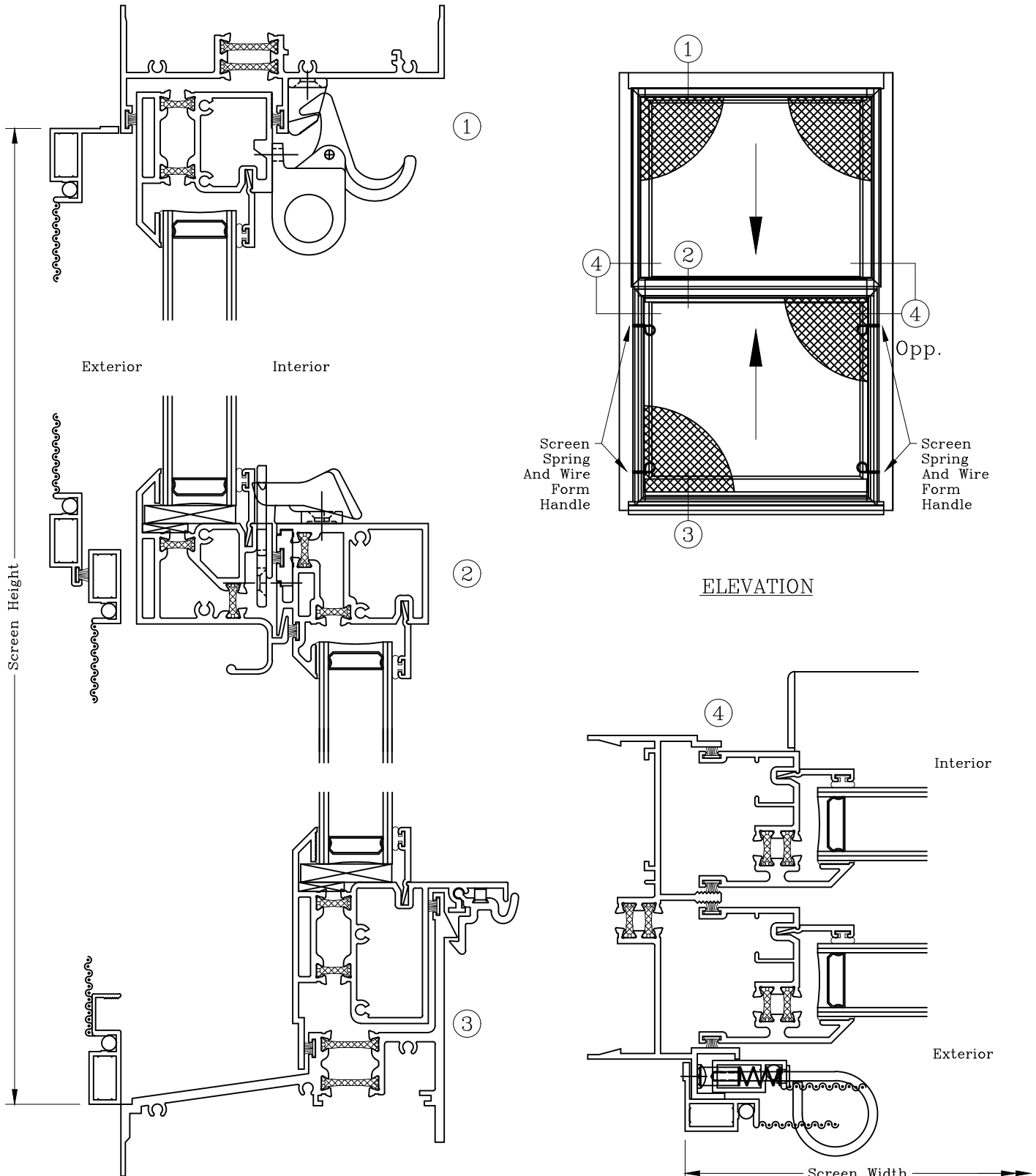
# By-pass Screens - 4" & 4 1/2" Double Hung Products



Series: Accessories Manufacturing Code: SC08

Drawing 1/2 Scale - For Custom Size Drawing Contact Graham

Note: Sealant Not Shown On Details. Refer To General Installation Instructions.



Graham Architectural Products reserves the right to change, add, cancel, remove or otherwise modify the details illustrated without prior notice.

1551 Mt. Rose Avenue, York, Pennsylvania 17403-2909 800/755-6274 Fax: 800/366-5097

0221 - SC.08

Web Site: [www.grahamwindows.com](http://www.grahamwindows.com)