

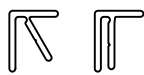
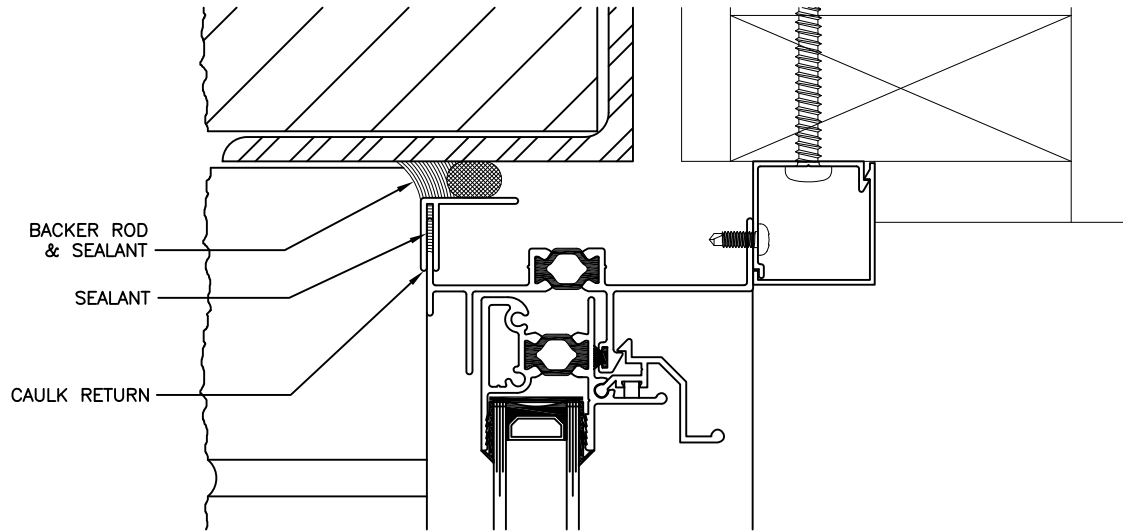
Caulk Stop



Series: Accessories Manufacturing Code: GT-CS01

Drawing 1/2 Scale – For Custom Size Drawing Contact Graham

Note: Sealant Not Shown On Details. Consult Technical Services At Factory For Sealing Procedures.



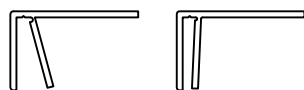
857020
1/2" Caulk Stop



855858
3/4" Caulk Stop



856584
1" Caulk Stop



859591
1 5/16" Caulk Stop



850444
1 1/2" Caulk Stop