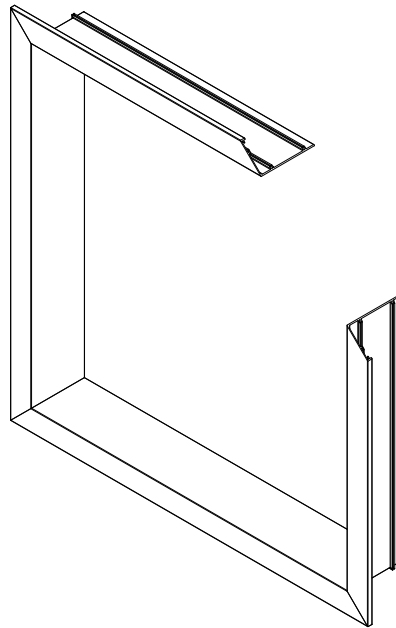


Series: Accessories Manufacturing Code: GT-MS02

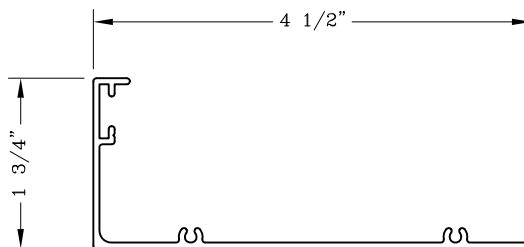
Drawing 1/2 Scale - For Custom Size Drawing Contact Graham

Note: Sealant Not Shown On Details. Consult Technical Services At Factory For Sealing Procedures.



4 1/2" LINER SYSTEM SHOWN

INTERIOR VIEW  
DO NOT SCALE



857261  
4 1/2" LINER TRIM  
SYSTEM