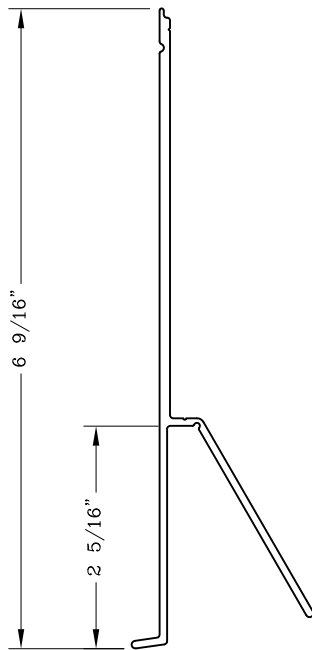
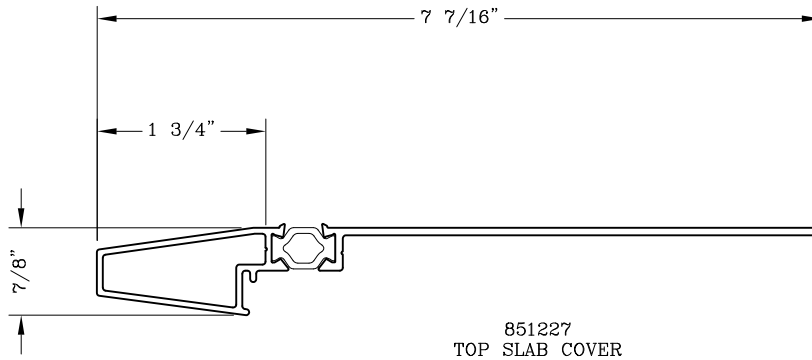


Series: Accessories Manufacturing Code: GT-MS04

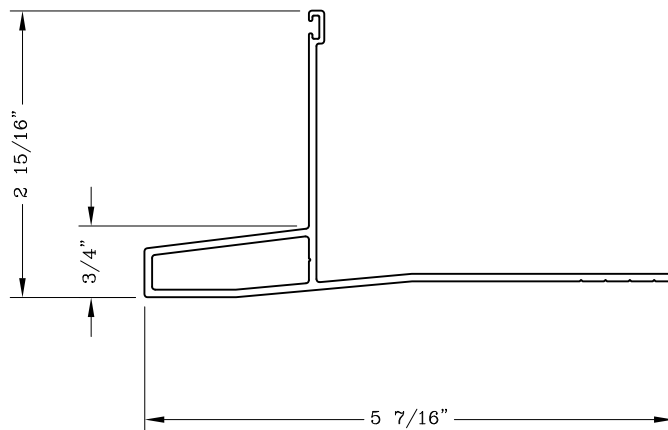
Drawing 1/2 Scale - For Custom Size Drawing Contact Graham

Note: Sealant Not Shown On Details. Consult Technical Services At Factory For Sealing Procedures.

SLAB COVERS



856094
OPC SLAB COVER
RECEIVER



856095
OPC BOTTOM SLAB
COVER