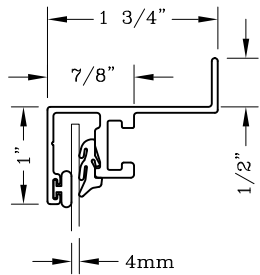


Series: Accessories Manufacturing Code: GT-MS07

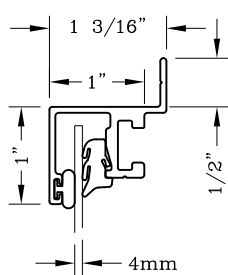
Drawing 1/2 Scale - For Custom Size Drawing Contact Graham

Note: Sealant Not Shown On Details. Consult Technical Services At Factory For Sealing Procedures.

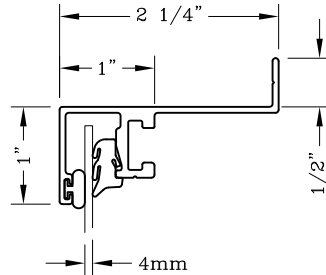
## PANEL FRAMES



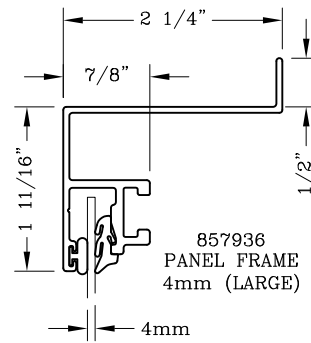
856505  
PANEL FRAME  
4mm (SMALL)



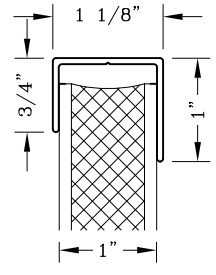
857019  
PANEL FRAME  
4mm-3/16"



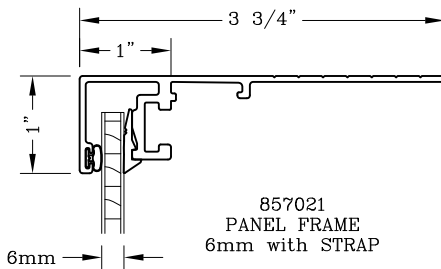
857788  
PANEL FRAME  
UMCP7



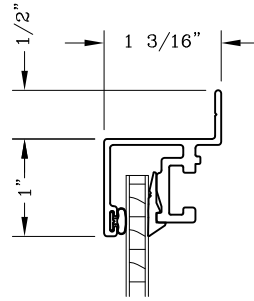
857936  
PANEL FRAME  
4mm (LARGE)



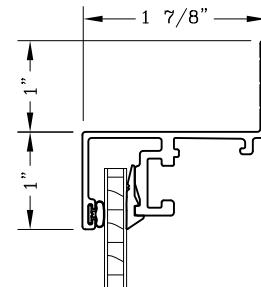
856289  
PANEL FRAME  
C-CHANNEL



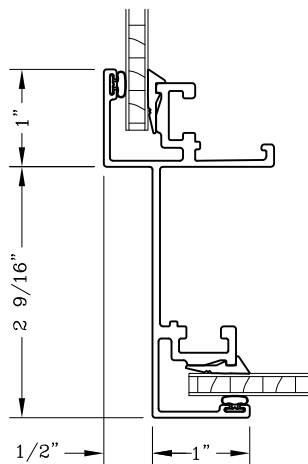
857021  
PANEL FRAME  
6mm with STRAP



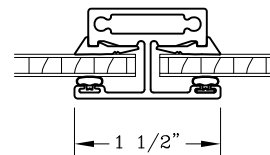
857022  
PANEL FRAME  
6mm with 1/2" LEG



857023  
PANEL FRAME  
6mm with 1" LEG



857024  
PANEL FRAME BOTTOM  
6mm



857025  
PANEL FRAME MULLION  
6mm