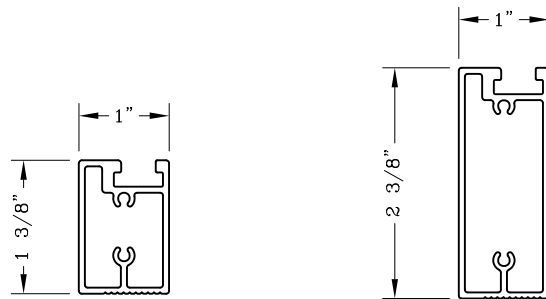


Series: Accessories Manufacturing Code: GT-MS08

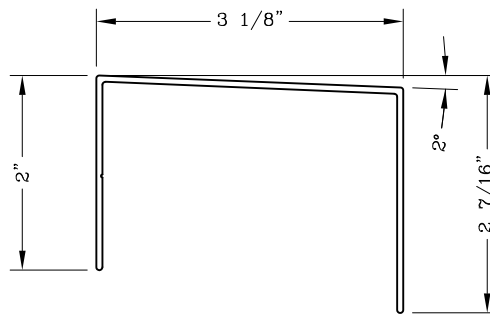
Drawing 1/2 Scale - For Custom Size Drawing Contact Graham

Note: Sealant Not Shown On Details. Consult Technical Services At Factory For Sealing Procedures.



851547
UTRH 1 3/8" FILLER

851548
UTRH 2 3/8" FILLER



857021
PANEL FRAME MULLION
6mm