

Double Hung Side Load - 4"



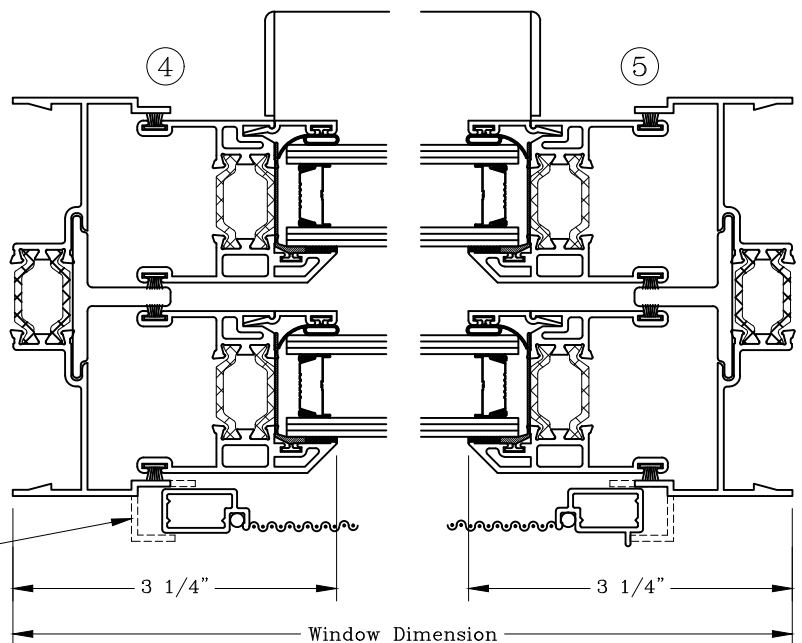
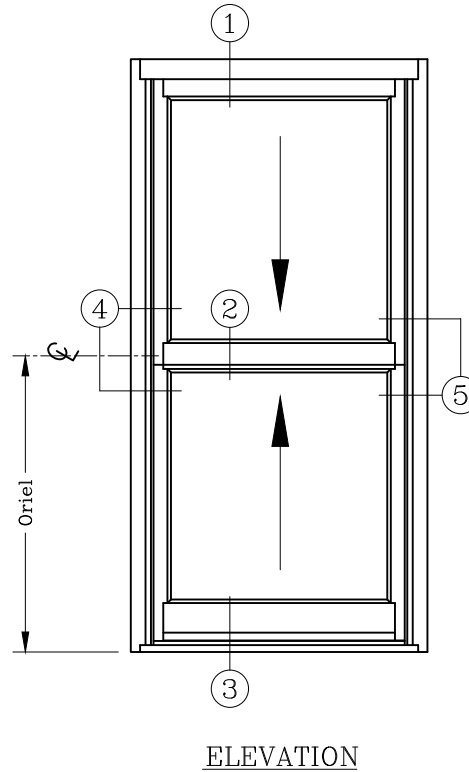
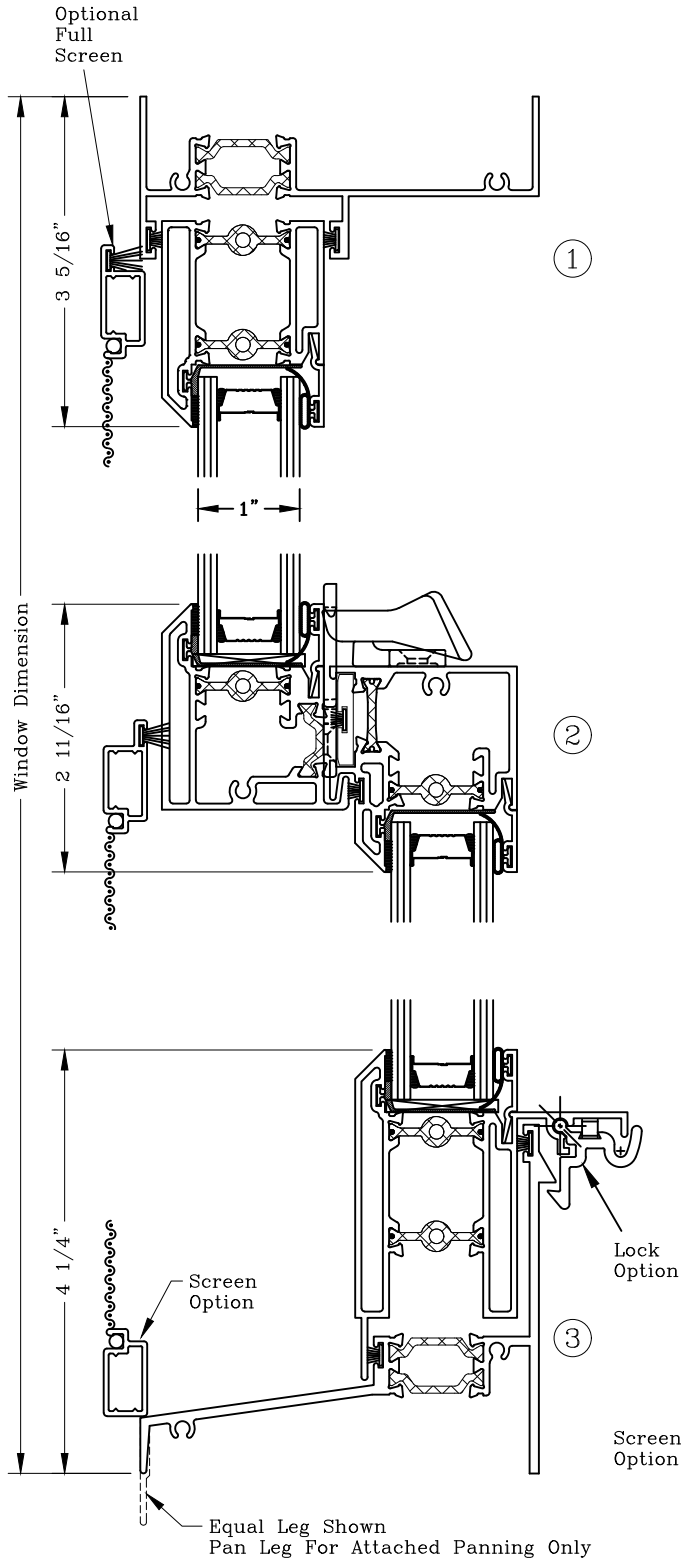
1" Historic Glazing

Series: GT2200 (Formerly: NS2200)

Manufacturing Code: GT2201

Drawing 1/2 Scale - For Custom Size Drawing Contact Graham

Note: Sealant Not Shown On Details. Consult Technical Services At Factory For Sealing Procedures.



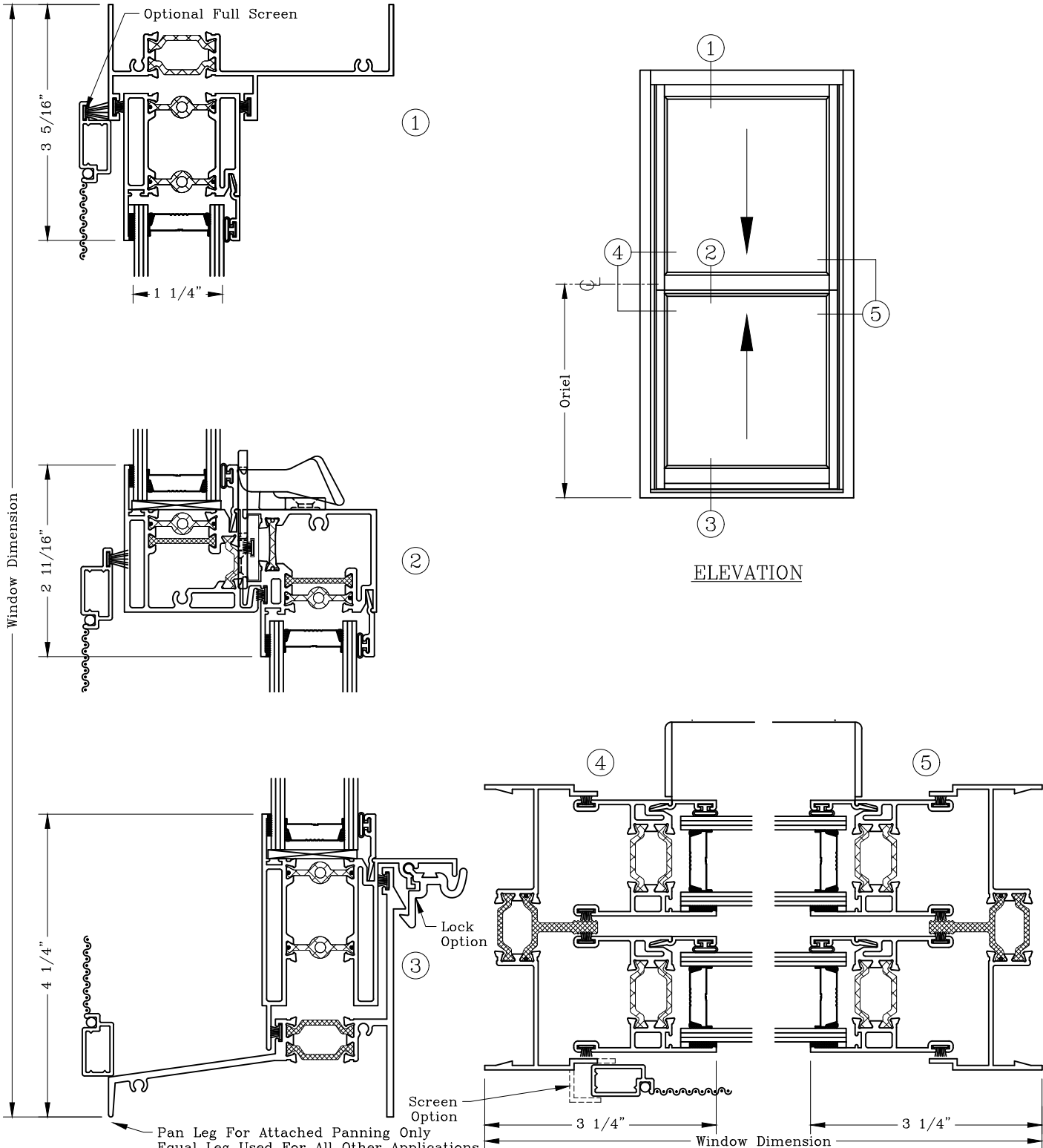
Double Hung Side Load - 4" 1 1/4" Historic Glazing



Series: GT2200 Manufacturing Code: GT2202

Drawing 1/2 Scale - For Custom Size Drawing Contact Graham

Note: Sealant Not Shown On Details. Refer To General Installation Instructions.



Graham Architectural Products reserves the right to change, add, cancel, remove or otherwise modify the details illustrated without prior notice.

1551 Mt. Rose Avenue, York, Pennsylvania 17403-2909 800/755-6274 Fax: 800/366-5097

1220 - GT22.02

Web Site: www.grahamwindows.com

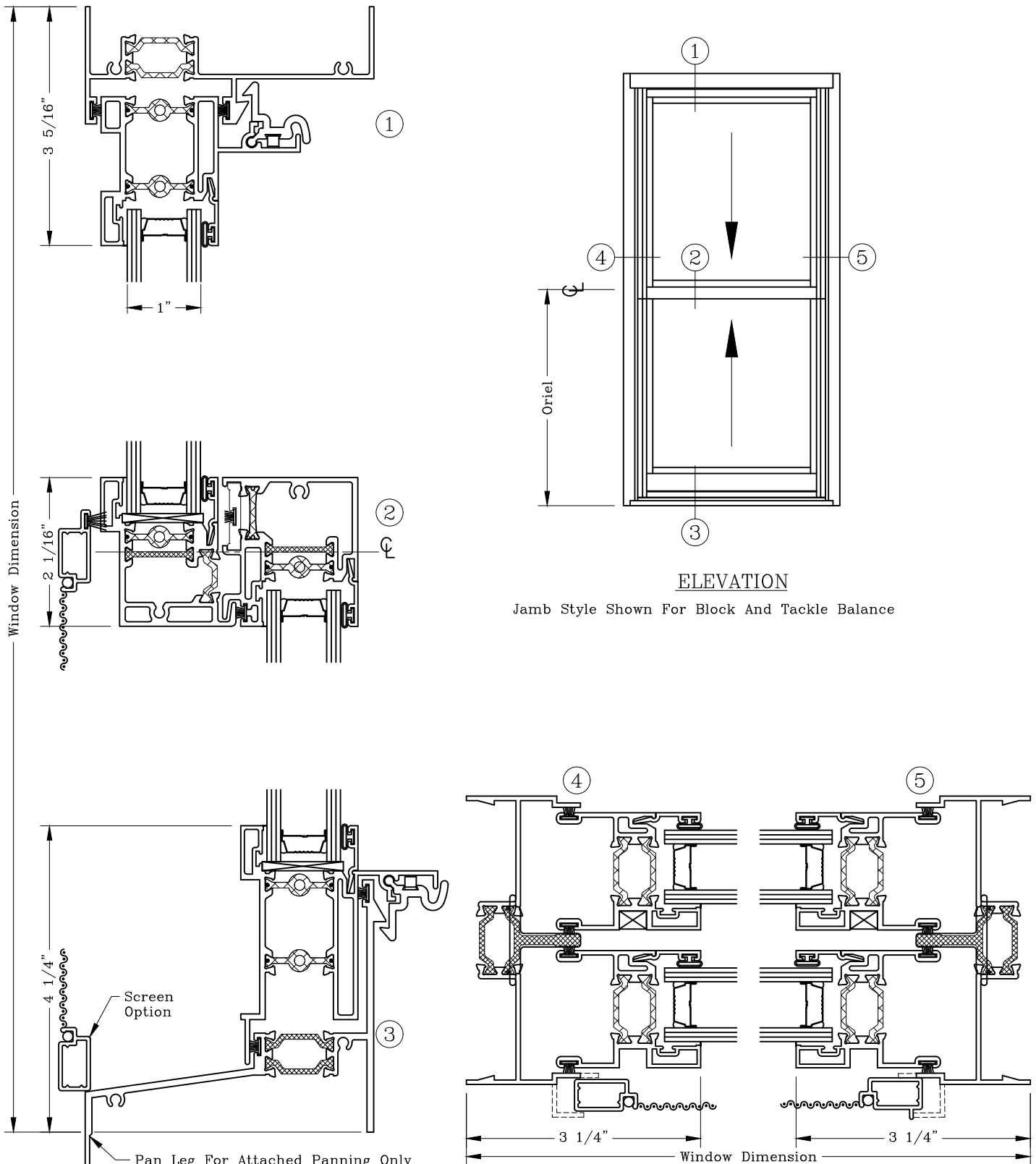
Double Hung Side Load - 4" Pomeroy Double Hung



Series: GT2200 Manufacturing Code: GT2203

Drawing 1/2 Scale - For Custom Size Drawing Contact Graham

Note: Sealant Not Shown On Details. Refer To General Installation Instructions.



ELEVATION

Jamb Style Shown For Block And Tackle Balance

Graham Architectural Products reserves the right to change and cancel, remove or otherwise modify the details illustrated without prior notice.

1551 Mt. Rose Avenue, York, Pennsylvania 17403-2909 800/755-6274 Fax: 800/366-5097

1220 - GT22.03

Web Site: www.grahamwindows.com

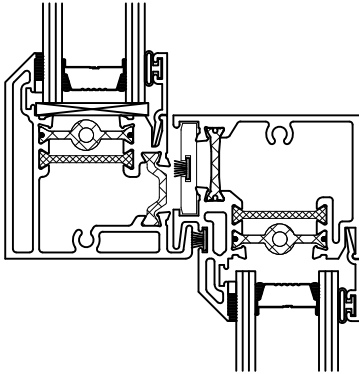
Double Hung Side Load - 4"
 Meeting Rail Options
 Optional Performance



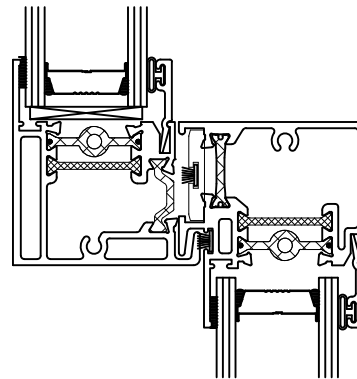
Series: GT2200 Manufacturing Code: GT2210

Drawing 1/2 Scale - For Custom Size Drawing Contact Graham

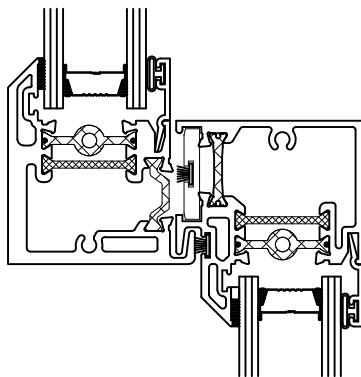
Note: Sealant Not Shown On Details. Refer To General Installation Instructions.



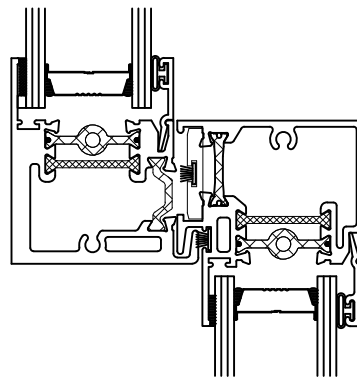
1" Historic
 Glazing A.W. 40



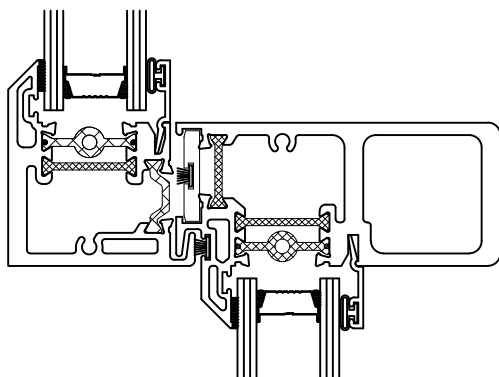
1 1/4" Flat
 Glazing A.W. 40



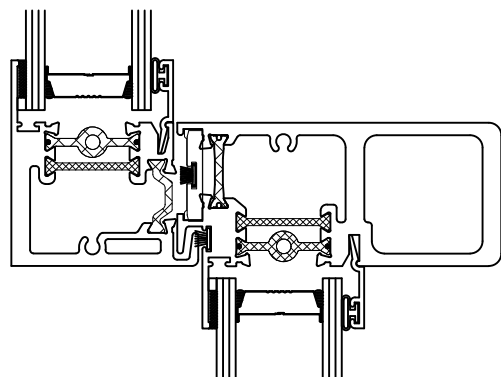
1" Historic
 Glazing A.W. 50



1 1/4" Flat
 Glazing A.W. 50



1" Historic
 Glazing A.W. 90



1 1/4" Flat
 Glazing A.W. 90

Graham Architectural Products reserves the right to change, add, cancel, remove or otherwise modify the details illustrated without prior notice.

1551 Mt. Rose Avenue, York, Pennsylvania 17403-2909 800/755-6274 Fax: 800/366-5097

1220 - GT22.10

Web Site: www.grahamwindows.com