

Single Hung Side Load - 4"

AW-PG50

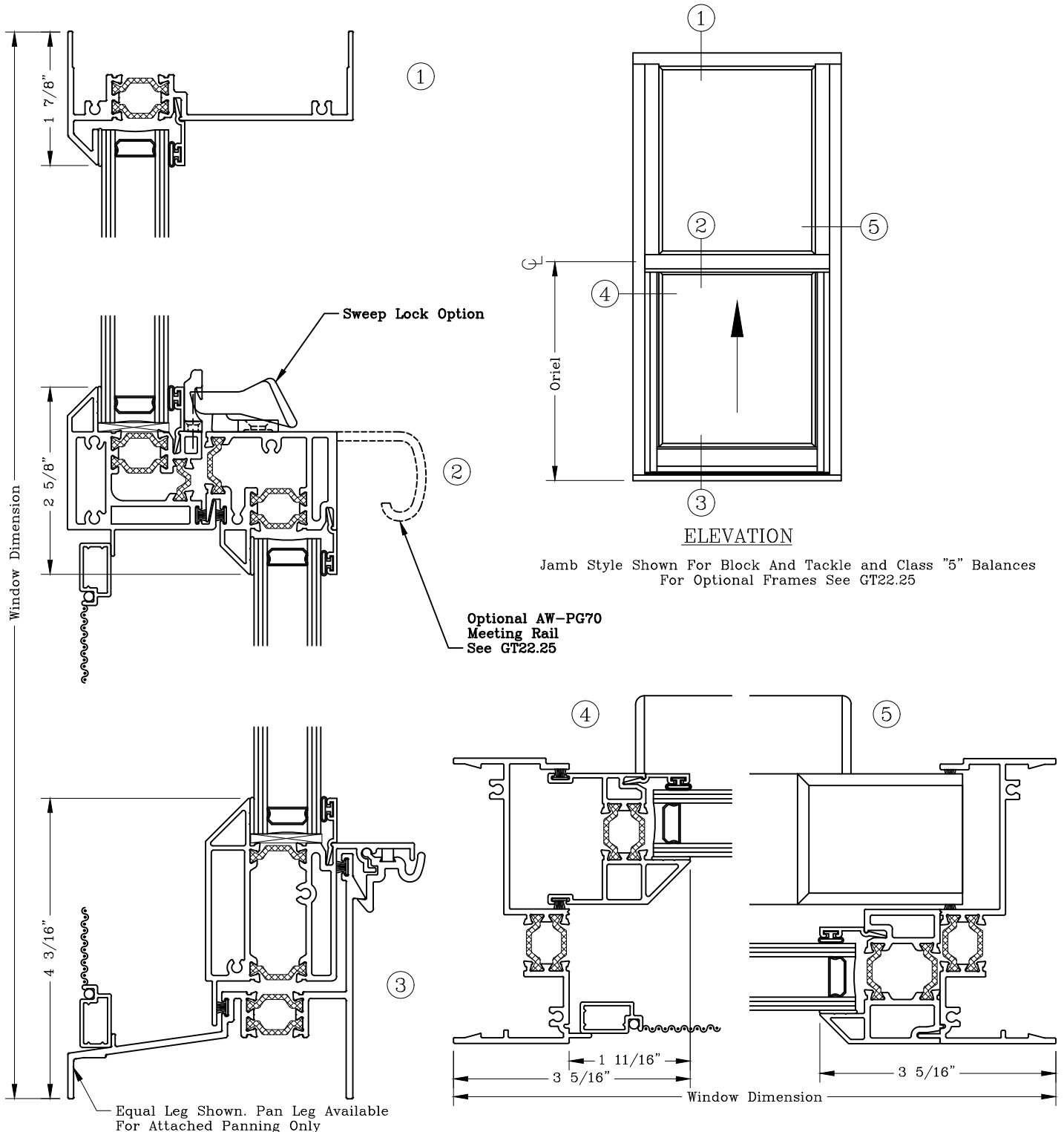


Series: GT2200

Manufacturing Code: GT2220

Drawing 1/2 Scale - For Custom Size Drawing Contact Graham

Note: Sealant Not Shown On Details. Refer To General Installation Instructions.



Graham Architectural Products reserves the right to change, add, cancel, remove or otherwise modify the details illustrated without prior notice.

1551 Mt. Rose Avenue, York, Pennsylvania 17403-2909 800/755-6274 Fax: 800/366-5097

0620 - GT22.20

Web Site: www.grahamwindows.com

Single Hung Side Load - 4"

AW-PG50

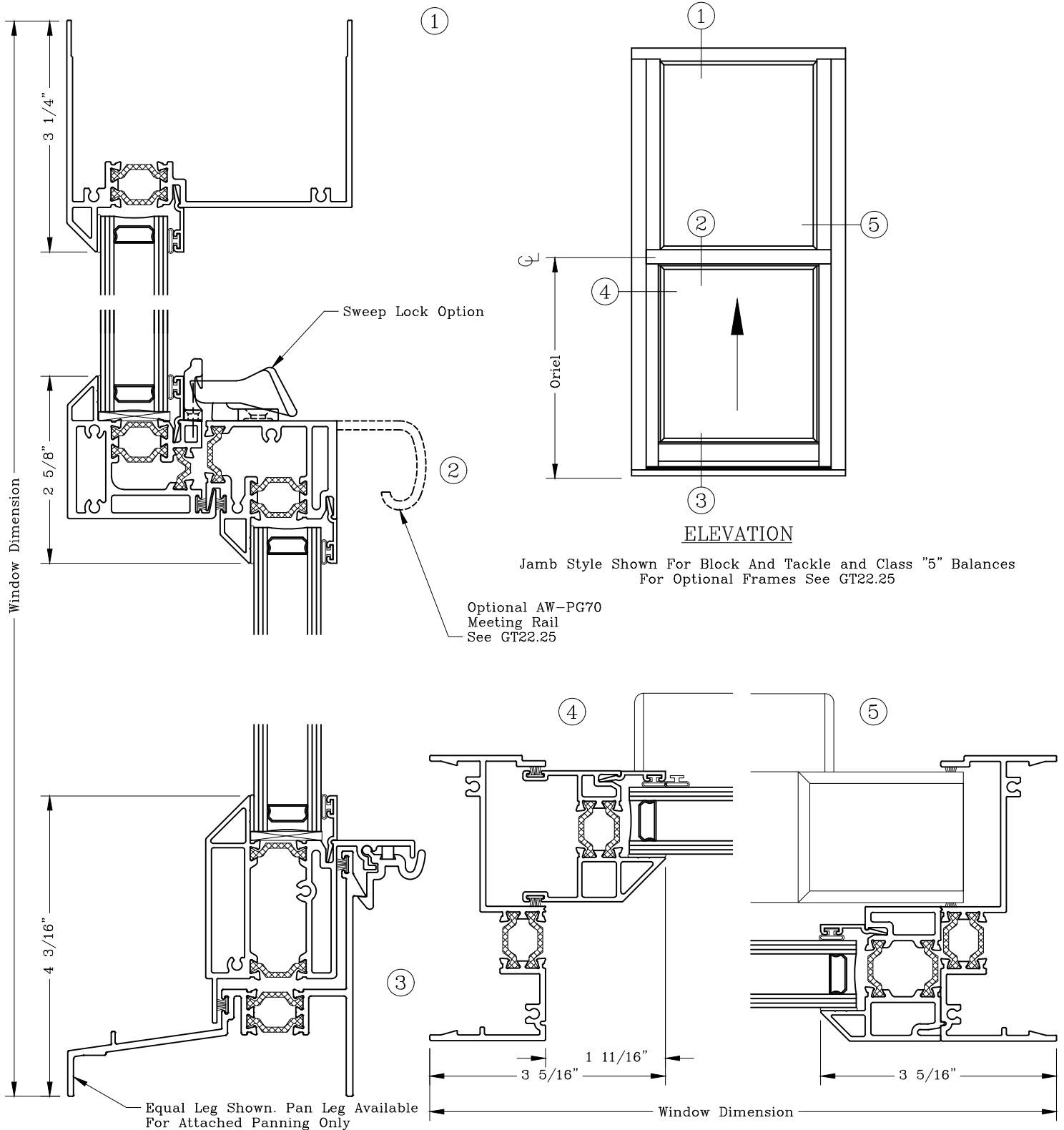
Historic National Park Version

Series: GT2200

Manufacturing Code: GT2221

Drawing 1/2 Scale - For Custom Size Drawing Contact Graham

Note: Sealant Not Shown On Details. Refer To General Installation Instructions.



Graham Architectural Products reserves the right to change, add, cancel, remove or otherwise modify the details illustrated without prior notice.

1551 Mt. Rose Avenue, York, Pennsylvania 17403-2909 800/755-6274 Fax: 800/366-5097

0824 - GT22.21

Web Site: www.grahamwindows.com

Single Hung Side Load Options – 4"

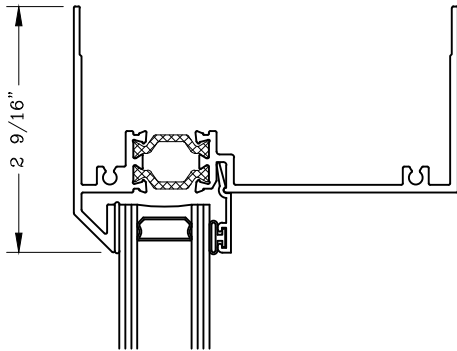


Series: GT2200

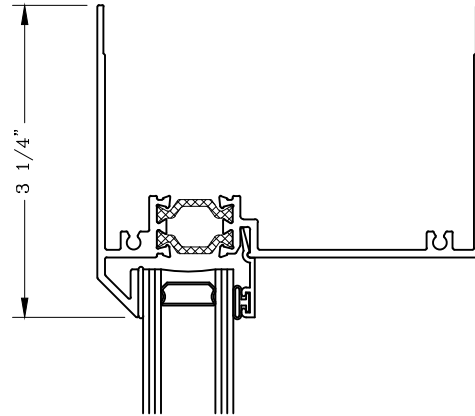
Manufacturing Code: GT2220

Drawing 1/2 Scale – For Custom Size Drawing Contact Graham

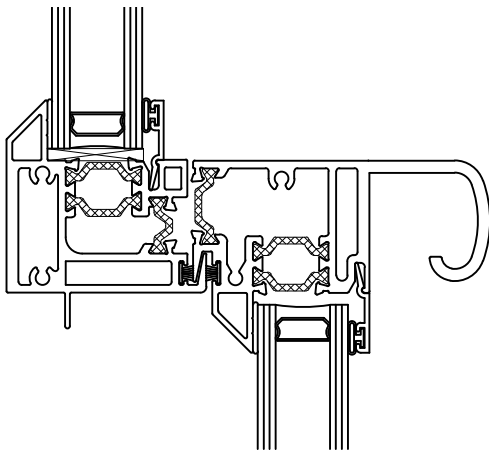
Note: Sealant Not Shown On Details. Refer To General Installation Instructions.



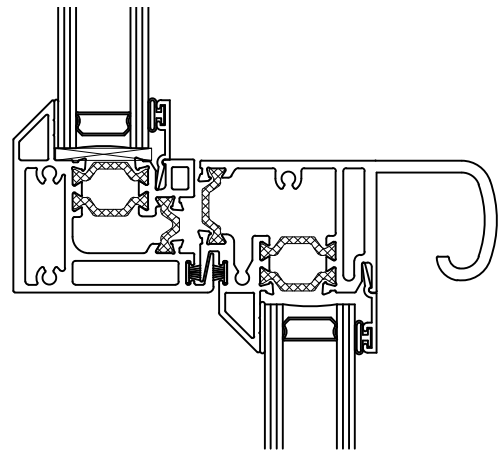
Frame Head Historic Single Hung
Shown With Bead – Glazed Insulated Glass
#220311



Frame Head Historic Single Hung
Shown With Bead – Glazed Insulated Glass
#220312



AW-PG70 Meeting Rail
With Screen Leg



AW-PG70 Meeting Rail
Without Screen Leg

Graham Architectural Products reserves the right to change, add, cancel, remove or otherwise modify the details illustrated without prior notice.

1551 Mt. Rose Avenue, York, Pennsylvania 17403-2909 800/755-6274 Fax: 800/366-5097

Web Site: www.grahamwindows.com

0620 – GT22.25