

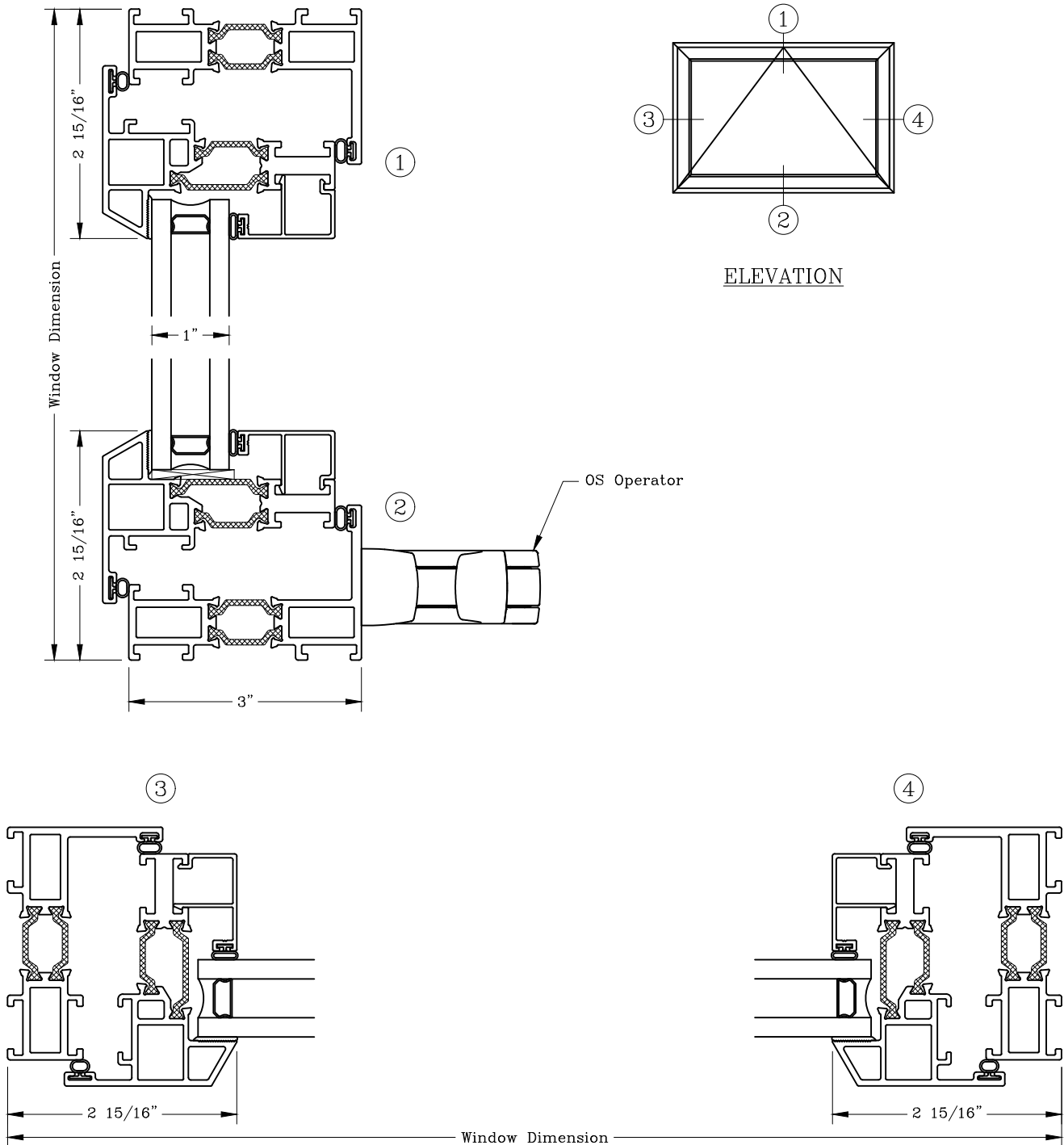
Projected – 3”
 Equal Sightline
 Outswing Awning



Series: GT6700 Manufacturing Code: GT6701B

Drawing 1/2 Scale – For Custom Size Drawing Contact Graham

Note: Sealant Not Shown On Details. Refer To General Installation Instructions.



Note: Dashed Lines Represent Inswing Vented Units Solid Lines Represent Outswing Vented Units; Lines Converge At Hinge Side Of Vent

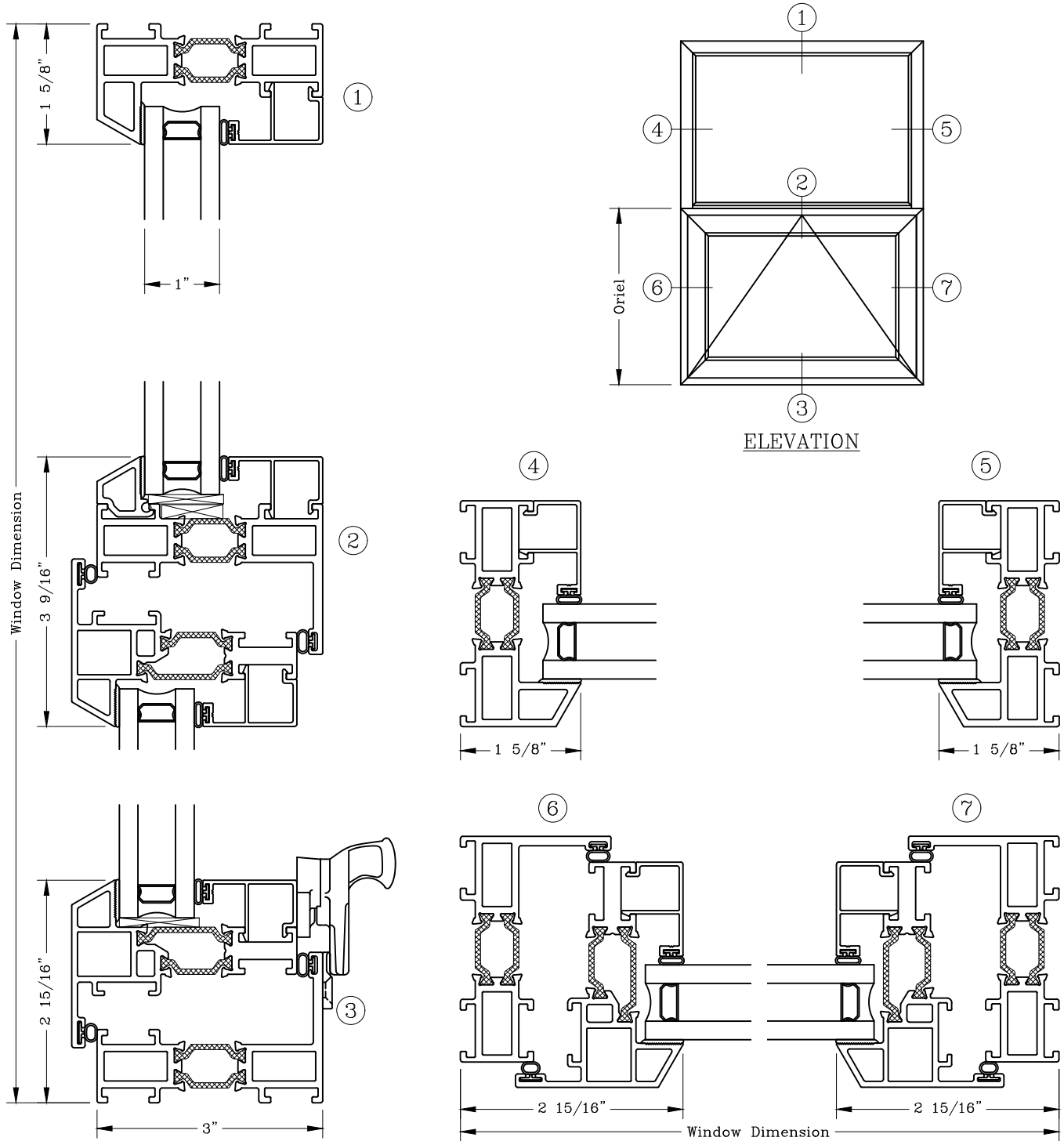
Projected – 3”
 Narrow Sightline
 Fixed Over Outswing



Series: GT6700 Manufacturing Code: GT6702B

Drawing 1/2 Scale – For Custom Size Drawing Contact Graham

Note: Sealant Not Shown On Details. Refer To General Installation Instructions.



Note: Dashed Lines Represent Inswing Vented Units Solid Lines Represent Outswing Vented Units; Lines Converge At Hinge Side Of Vent

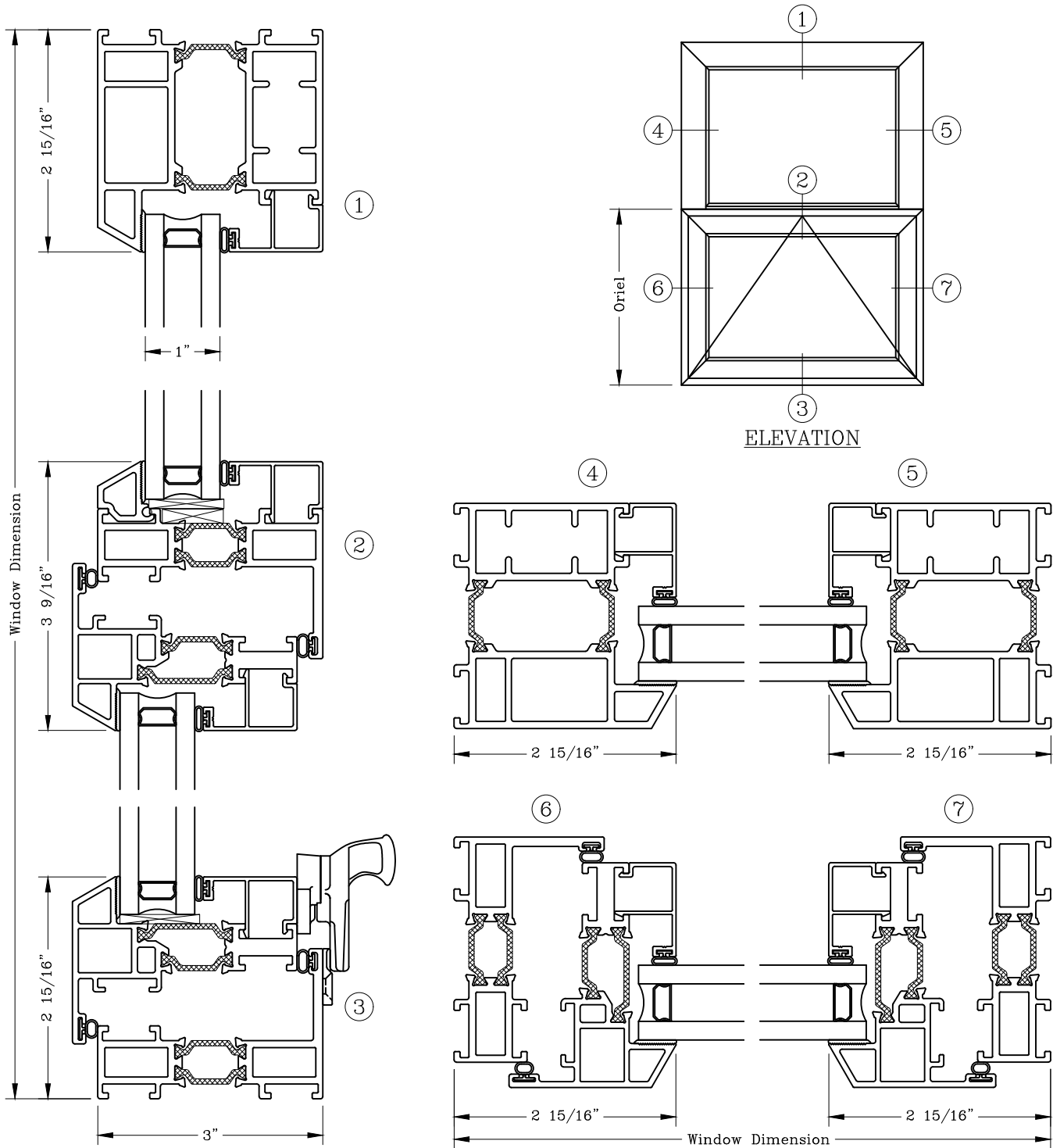
Projected – 3”
 Equal Sightline
 Fixed Over Outswing



Series: GT6700 Manufacturing Code: GT6703B

Drawing 1/2 Scale – For Custom Size Drawing Contact Graham

Note: Sealant Not Shown On Details. Refer To General Installation Instructions.



Note: Dashed Lines Represent Inswing Vented Units Solid Lines Represent
 Outswing Vented Units; Lines Converge At Hinge Side Of Vent

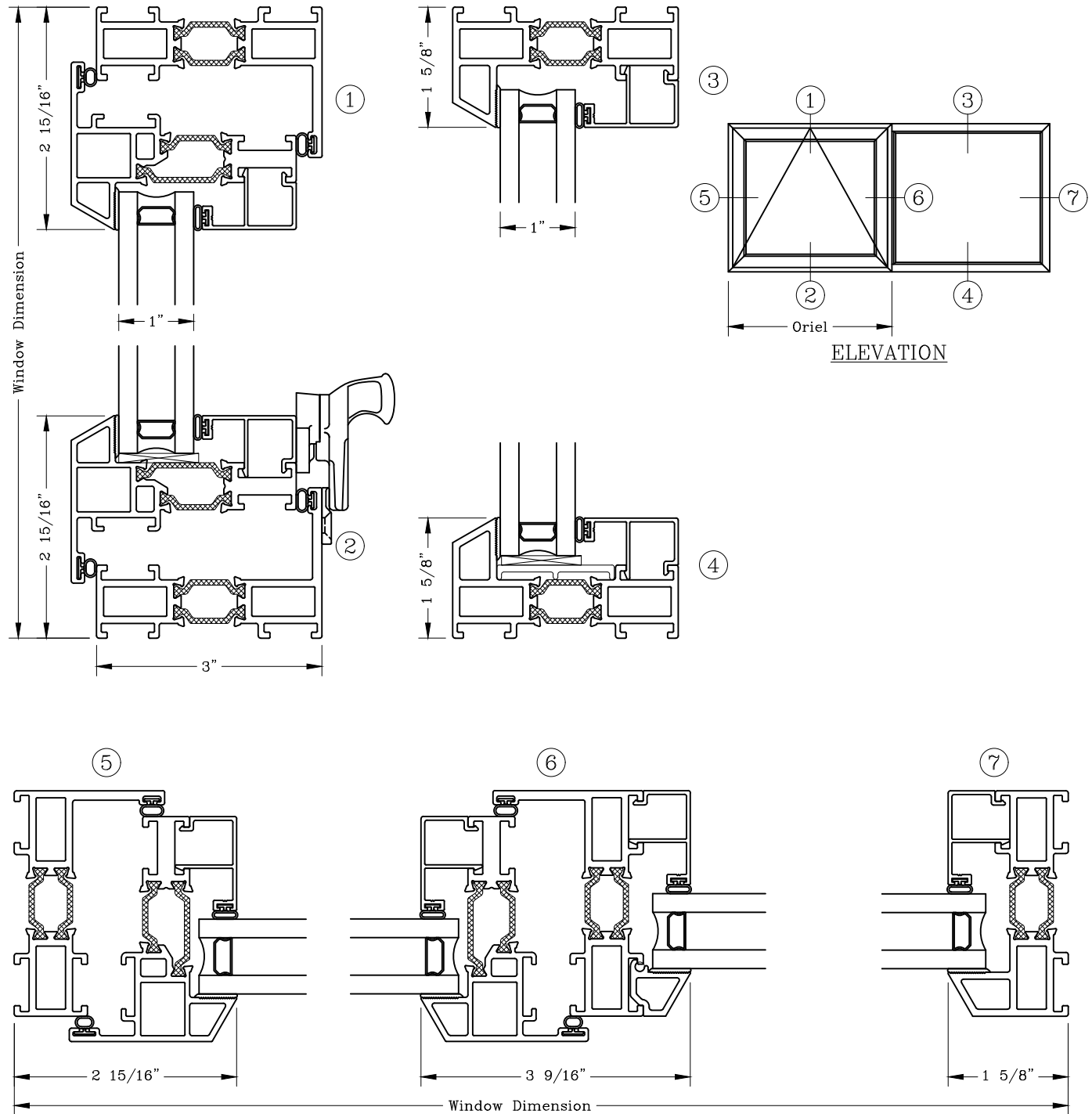
Projected – 3”
 Narrow Sightline
 Outswing Awning/Fixed



Series: GT6700 Manufacturing Code: GT6704B

Drawing 1/2 Scale – For Custom Size Drawing Contact Graham

Note: Sealant Not Shown On Details. Refer To General Installation Instructions.



Note: Dashed Lines Represent Inswing Vented Units Solid Lines Represent Outswing Vented Units; Lines Converge At Hinge Side Of Vent

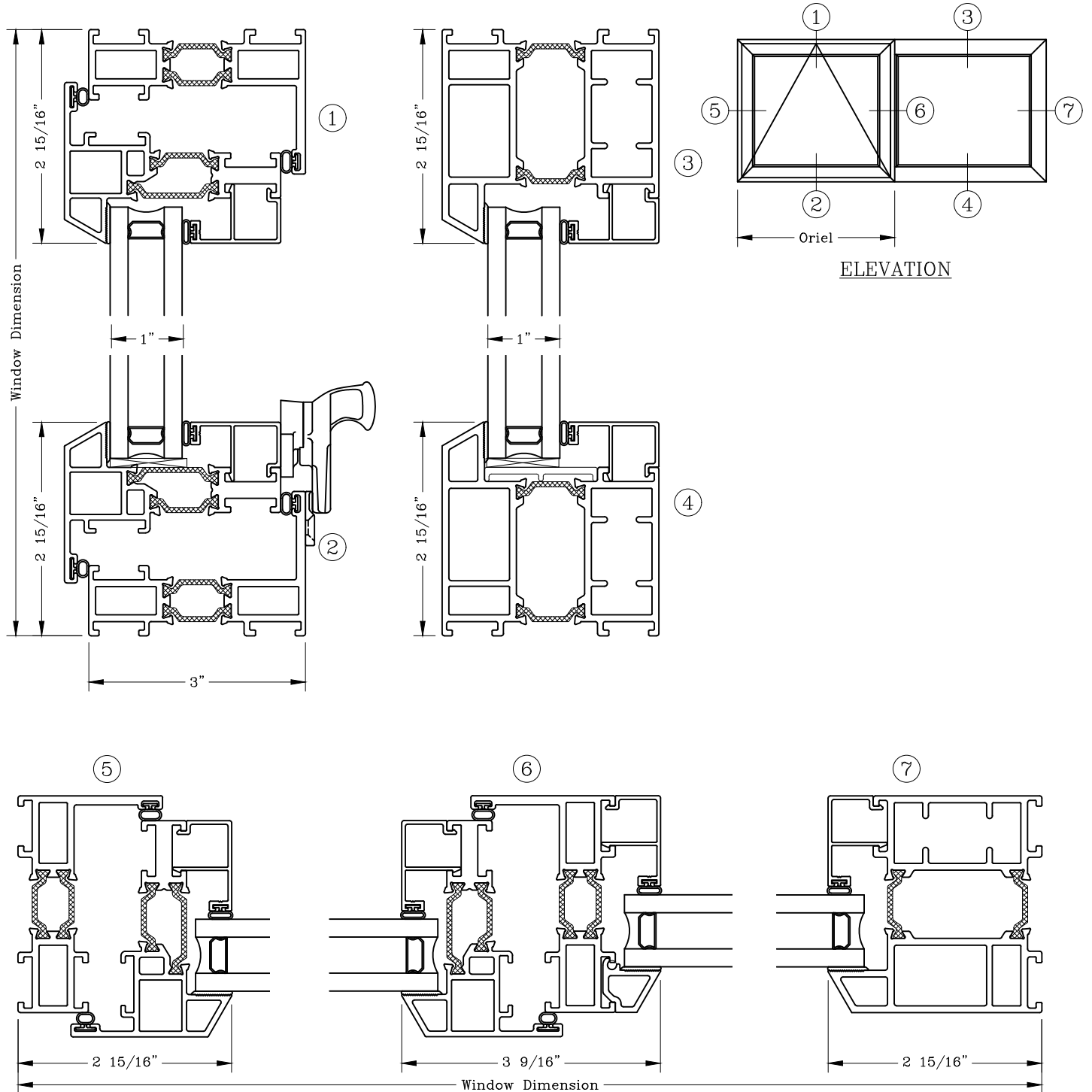
Projected – 3”
 Equal Sightline
 Outswing Awning/Fixed



Series: GT6700 Manufacturing Code: GT6705B

Drawing 1/2 Scale – For Custom Size Drawing Contact Graham

Note: Sealant Not Shown On Details. Refer To General Installation Instructions.



Note: Dashed Lines Represent Inswing Vented Units Solid Lines Represent
 Outswing Vented Units; Lines Converge At Hinge Side Of Vent

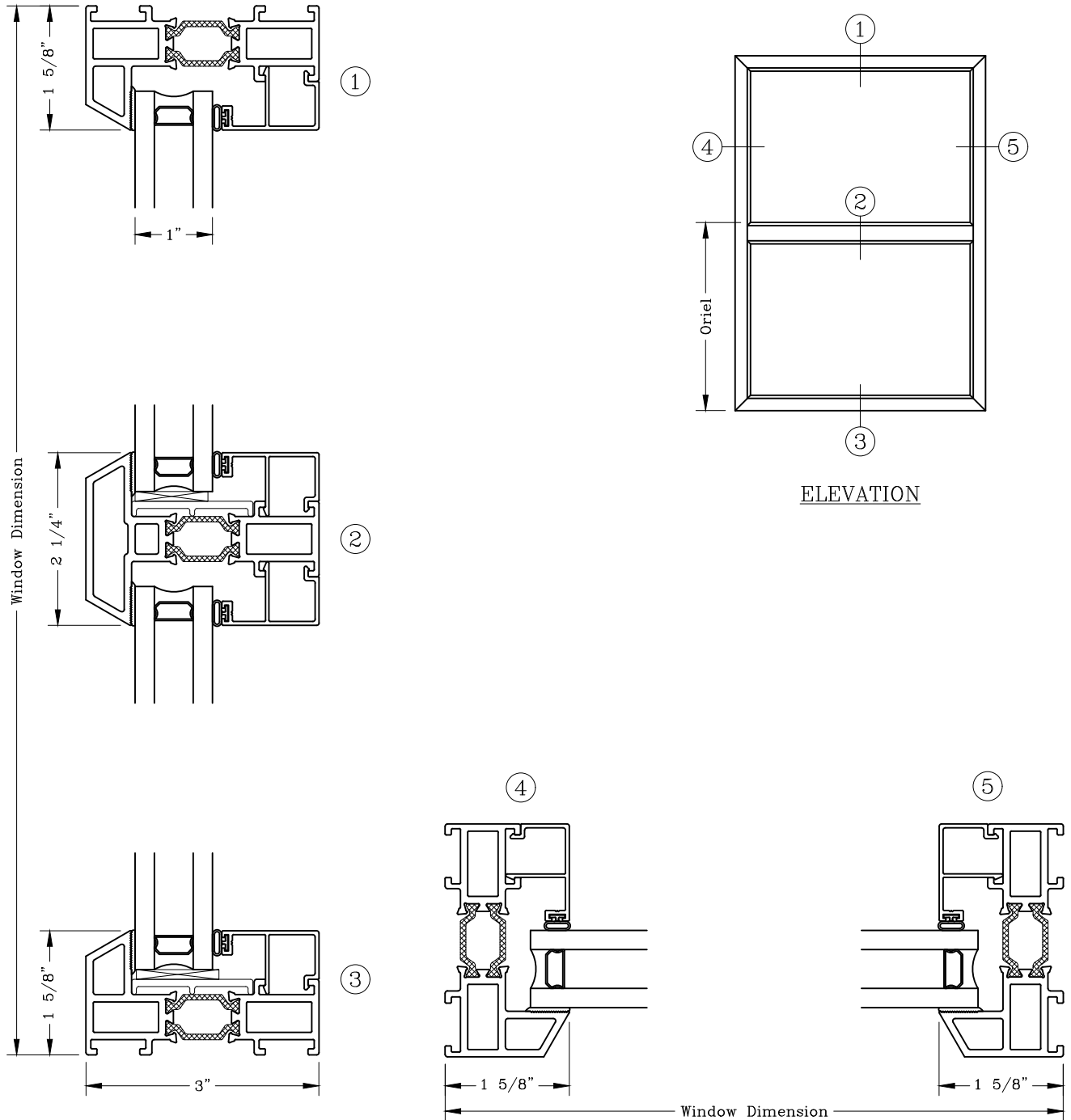
Fixed – 3” Narrow Sightline



Series: GT6700 Manufacturing Code: GT6706B

Drawing 1/2 Scale – For Custom Size Drawing Contact Graham

Note: Sealant Not Shown On Details. Refer To General Installation Instructions.



Note: Dashed Lines Represent Inswing Vented Units Solid Lines Represent
Outswing Vented Units; Lines Converge At Hinge Side Of Vent

Fixed - 3" Equal Sightline

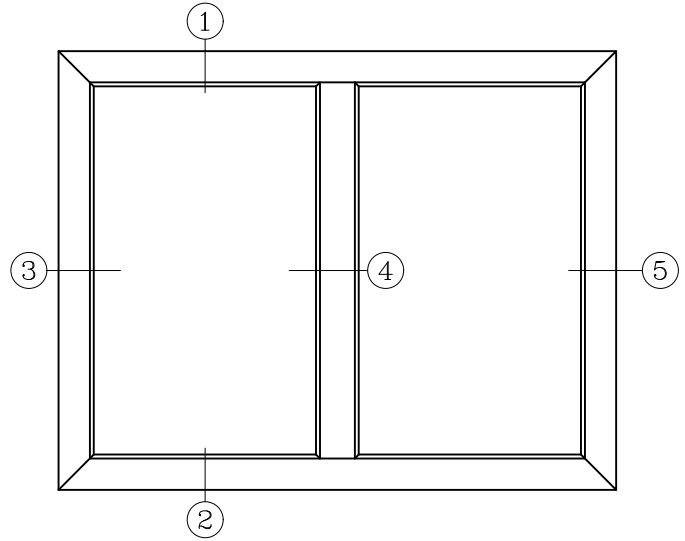
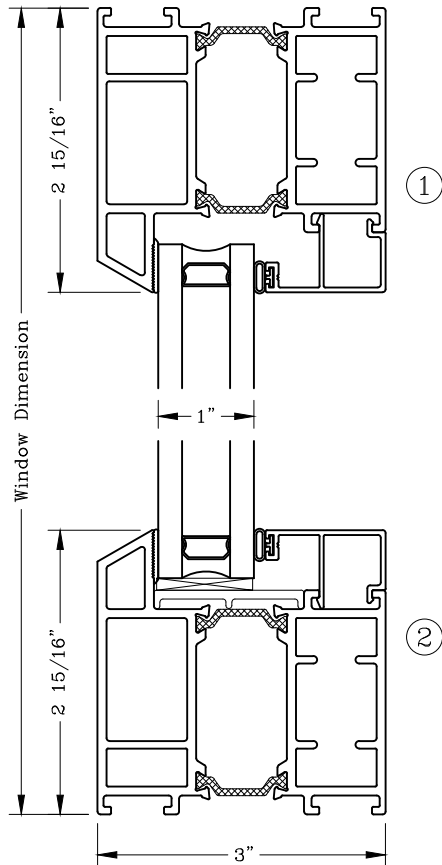


Series: GT6700

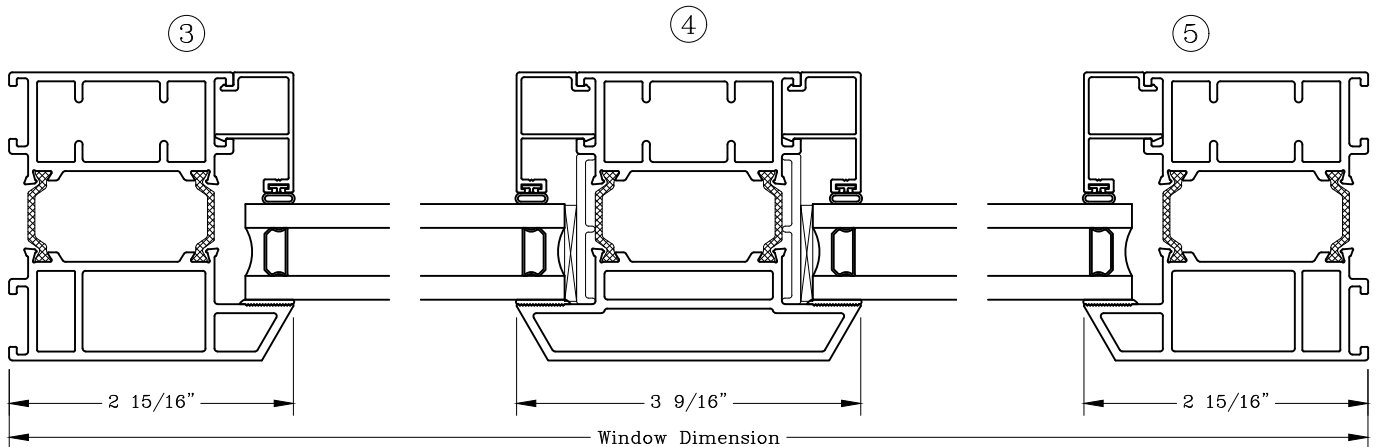
Manufacturing Code: GT6707B

Drawing 1/2 Scale - For Custom Size Drawing Contact Graham

Note: Sealant Not Shown On Details. Refer To General Installation Instructions.



ELEVATION



Note: Dashed Lines Represent Inswing Vented Units Solid Lines Represent Outswing Vented Units; Lines Converge At Hinge Side Of Vent

Casement – 3”
 Equal Sightline
 Outswing

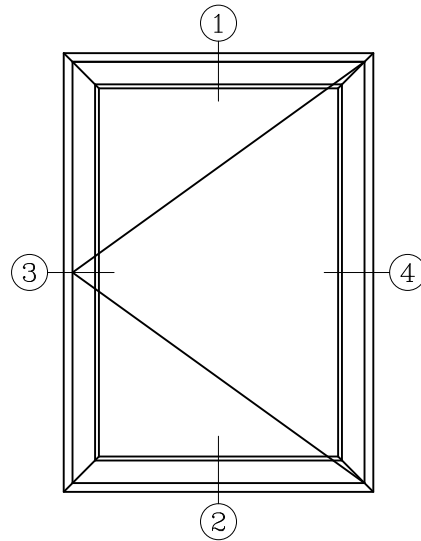
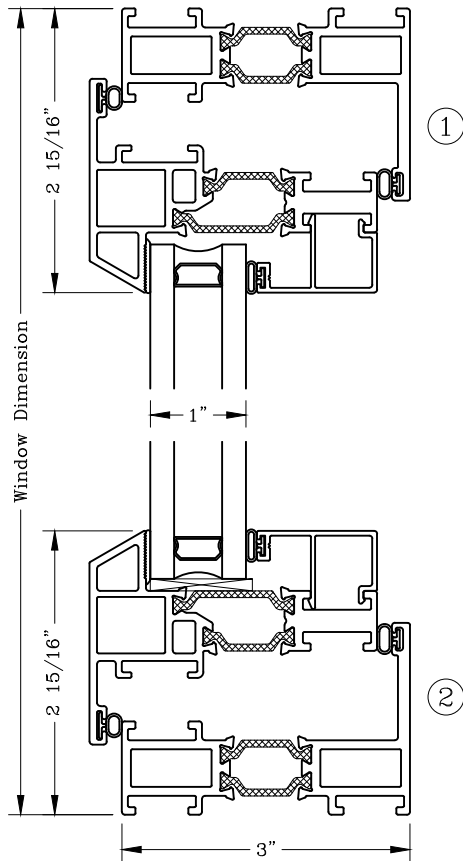


Series: GT6700

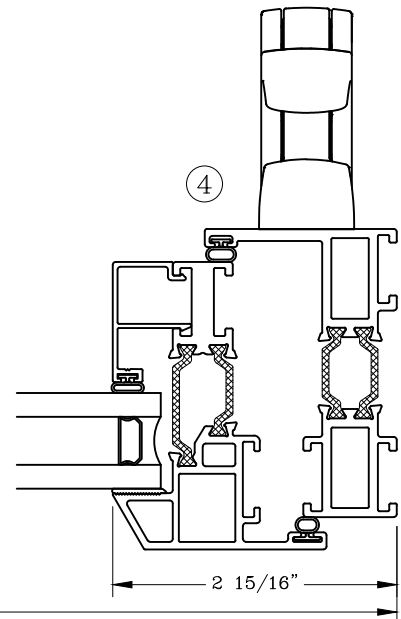
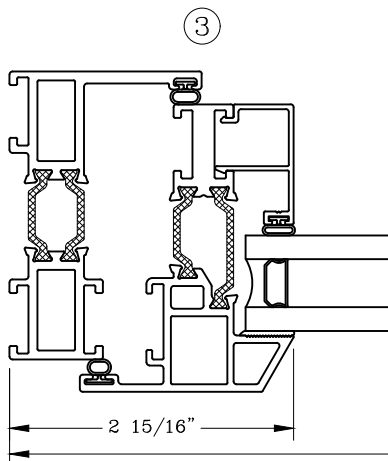
Manufacturing Code: GT6708B

Drawing 1/2 Scale – For Custom Size Drawing Contact Graham

Note: Sealant Not Shown On Details. Refer To General Installation Instructions.



ELEVATION



Window Dimension

Note: Dashed Lines Represent Inswing Vented Units Solid Lines Represent Outswing Vented Units; Lines Converge At Hinge Side Of Vent

Casement – 3”

Equal Sightline

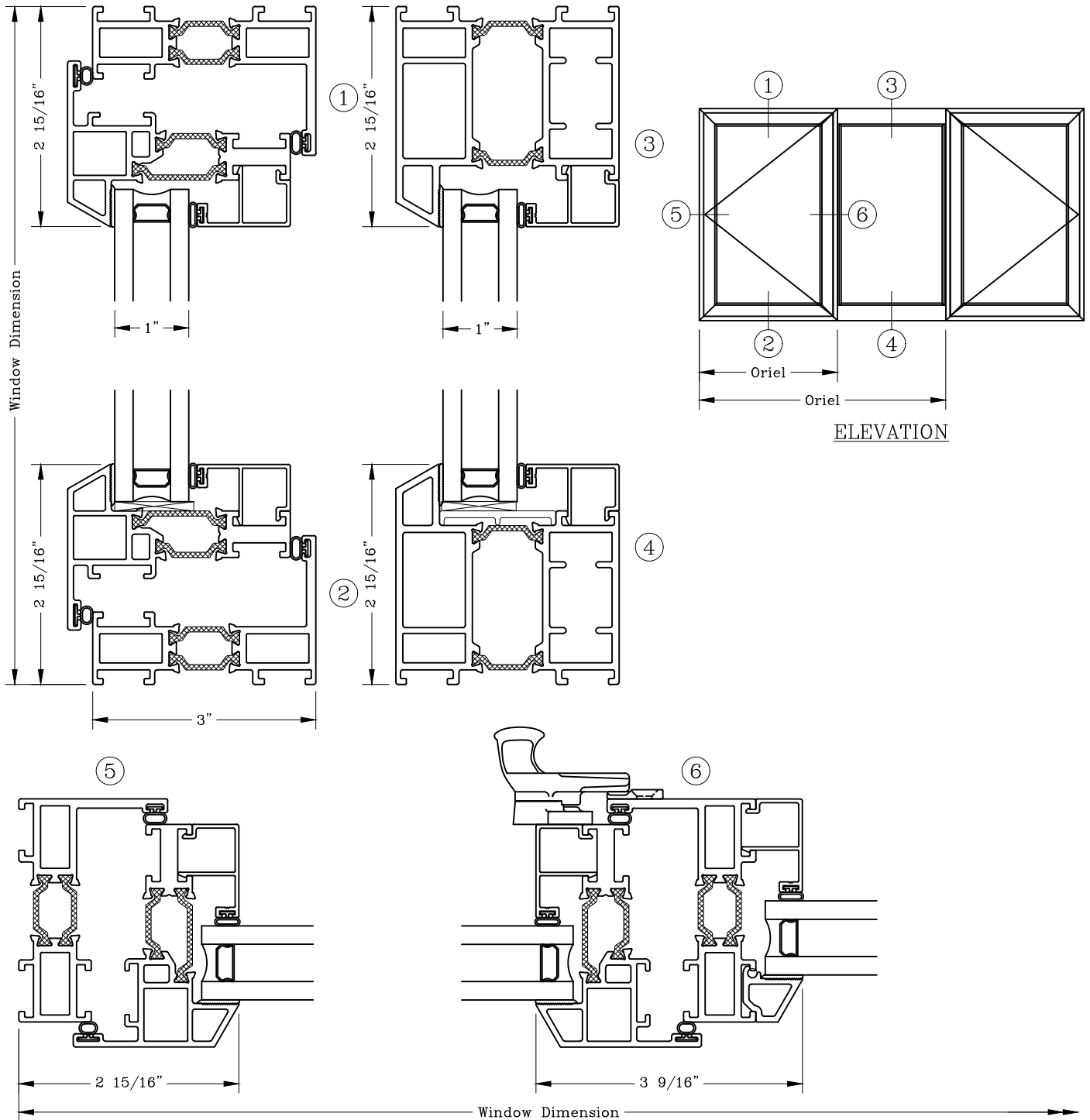
Outswing/Fixed/Outswing

Series: GT6700

Manufacturing Code: GT6709B

Drawing 1/2 Scale – For Custom Size Drawing Contact Graham

Note: Sealant Not Shown On Details. Refer To General Installation Instructions.



Note: Dashed Lines Represent Inswing Vented Units Solid Lines Represent Outswing Vented Units; Lines Converge At Hinge Side Of Vent

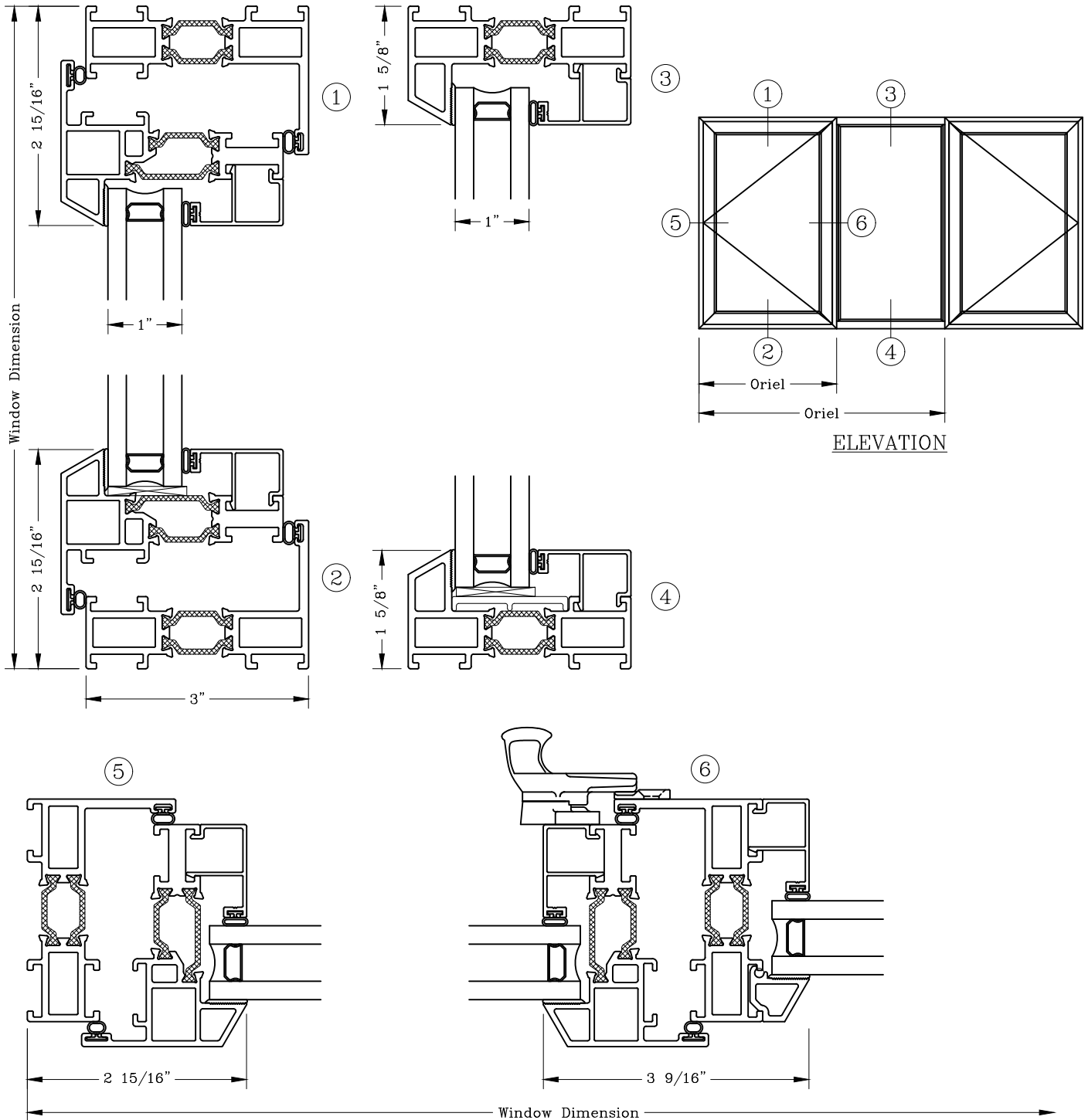
Casement – 3”
 Narrow Sightline
 Outswing/Fixed/Outswing



Series: GT6700 Manufacturing Code: GT6710B

Drawing 1/2 Scale – For Custom Size Drawing Contact Graham

Note: Sealant Not Shown On Details. Refer To General Installation Instructions.



Note: Dashed Lines Represent Inswing Vented Units Solid Lines Represent Outswing Vented Units; Lines Converge At Hinge Side Of Vent

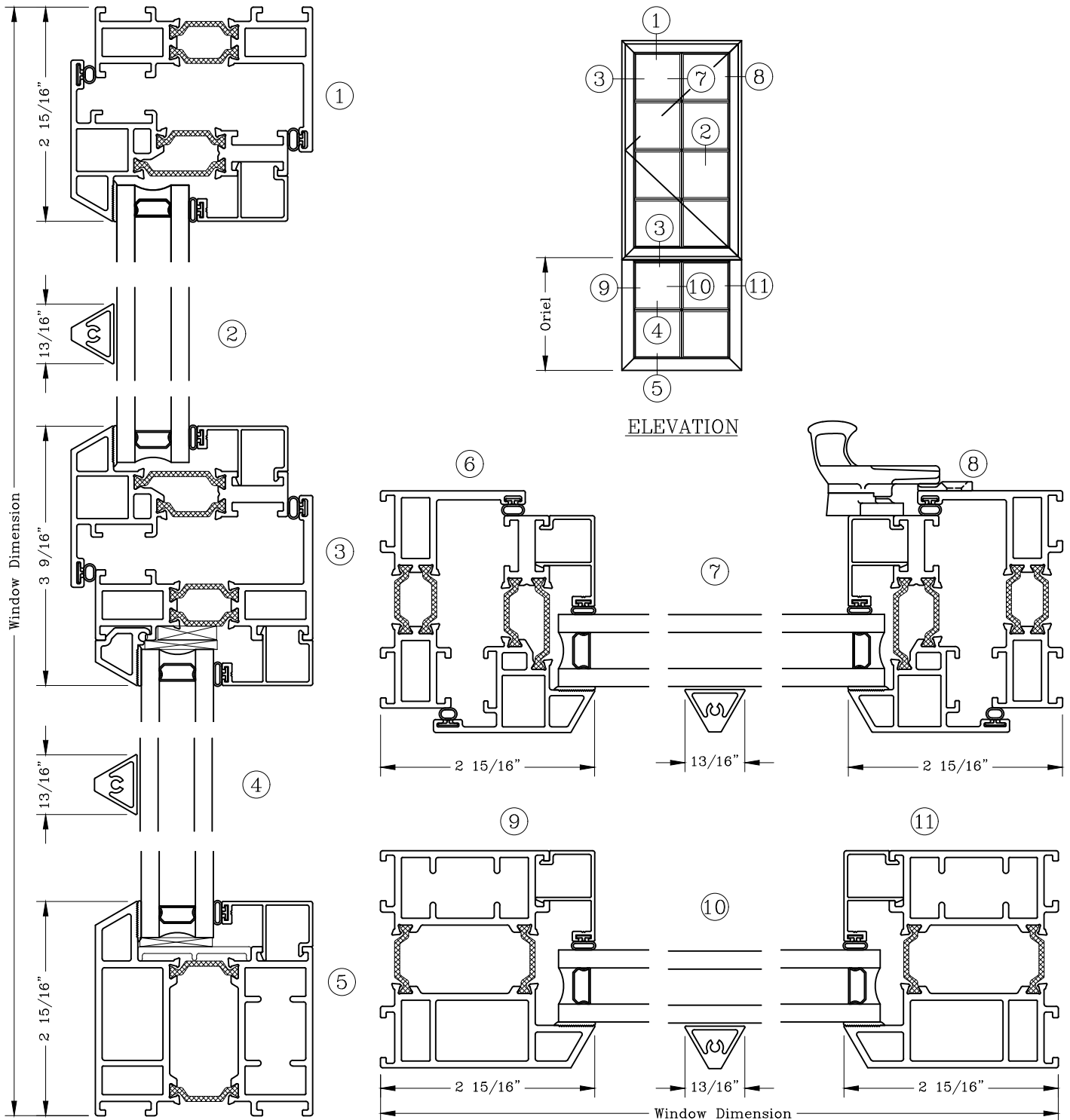
Casement - 3"
 Equal Sightline
 Outswing Over Fixed



Series: GT6700 Manufacturing Code: GT6711B

Drawing 1/2 Scale - For Custom Size Drawing Contact Graham

Note: Sealant Not Shown On Details. Refer To General Installation Instructions.



Note: Dashed Lines Represent Inswing Vented Units Solid Lines Represent Outswing Vented Units; Lines Converge At Hinge Side Of Vent

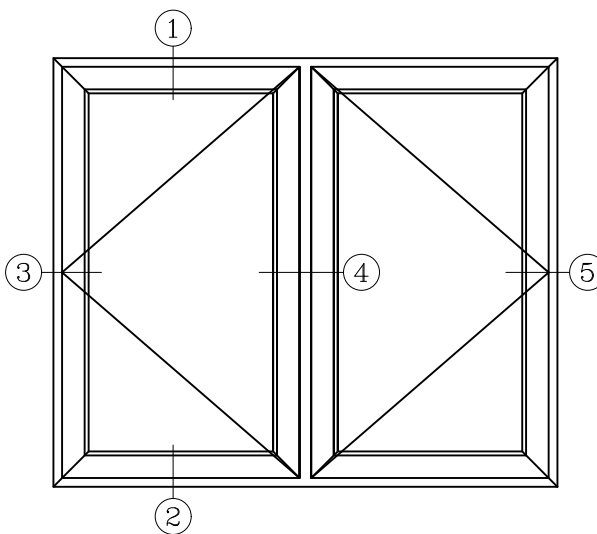
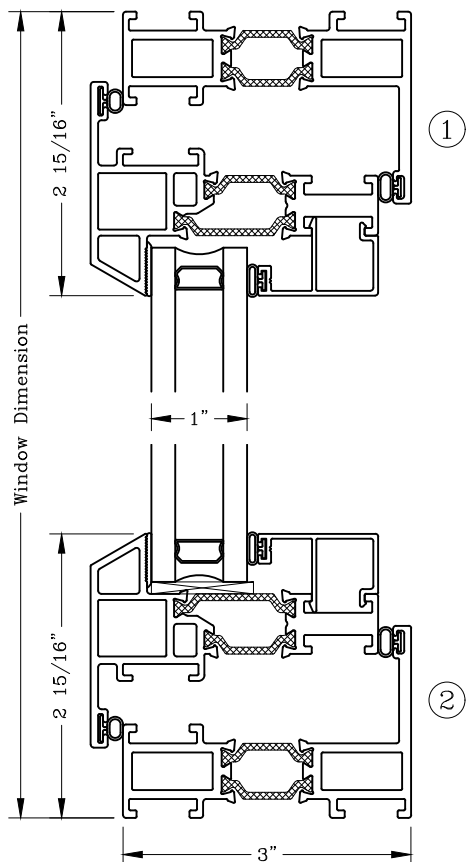
Casement – 3” Outswing Twin Casement



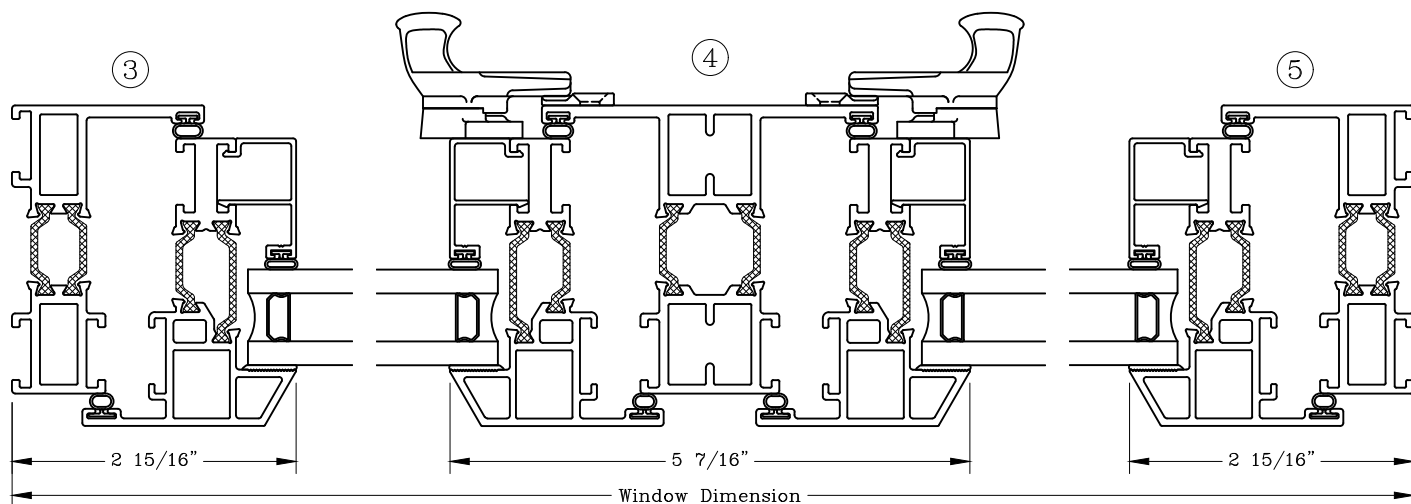
Series: GT6700 Manufacturing Code: GT6712B

Drawing 1/2 Scale – For Custom Size Drawing Contact Graham

Note: Sealant Not Shown On Details. Refer To General Installation Instructions.



ELEVATION



Note: Dashed Lines Represent Inswing Vented Units Solid Lines Represent
Outswing Vented Units; Lines Converge At Hinge Side Of Vent

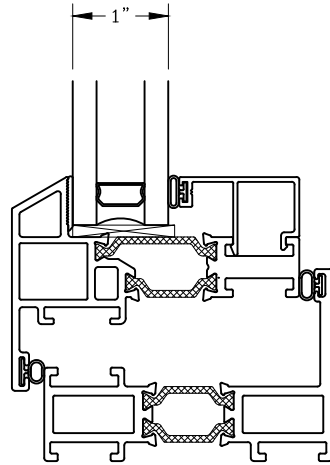
Exterior Profile Options – 3”



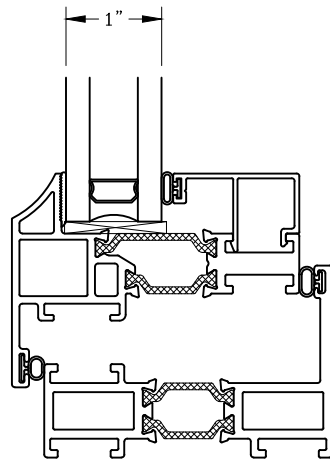
Series: GT6700 Manufacturing Code: GT6713B

Drawing 1/2 Scale – For Custom Size Drawing Contact Graham

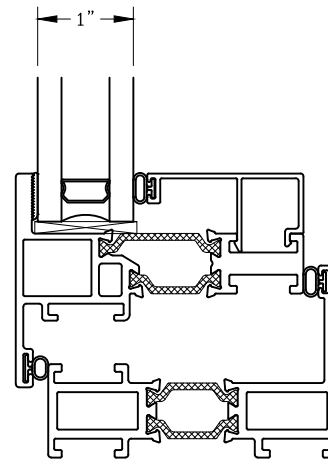
Note: Sealant Not Shown On Details. Refer To General Installation Instructions.



GT6700B
Beveled



GT6700C
Concave



GT6700F
Flat

Note: Dashed Lines Represent Inswing Vented Units Solid Lines Represent
Outswing Vented Units; Lines Converge At Hinge Side Of Vent

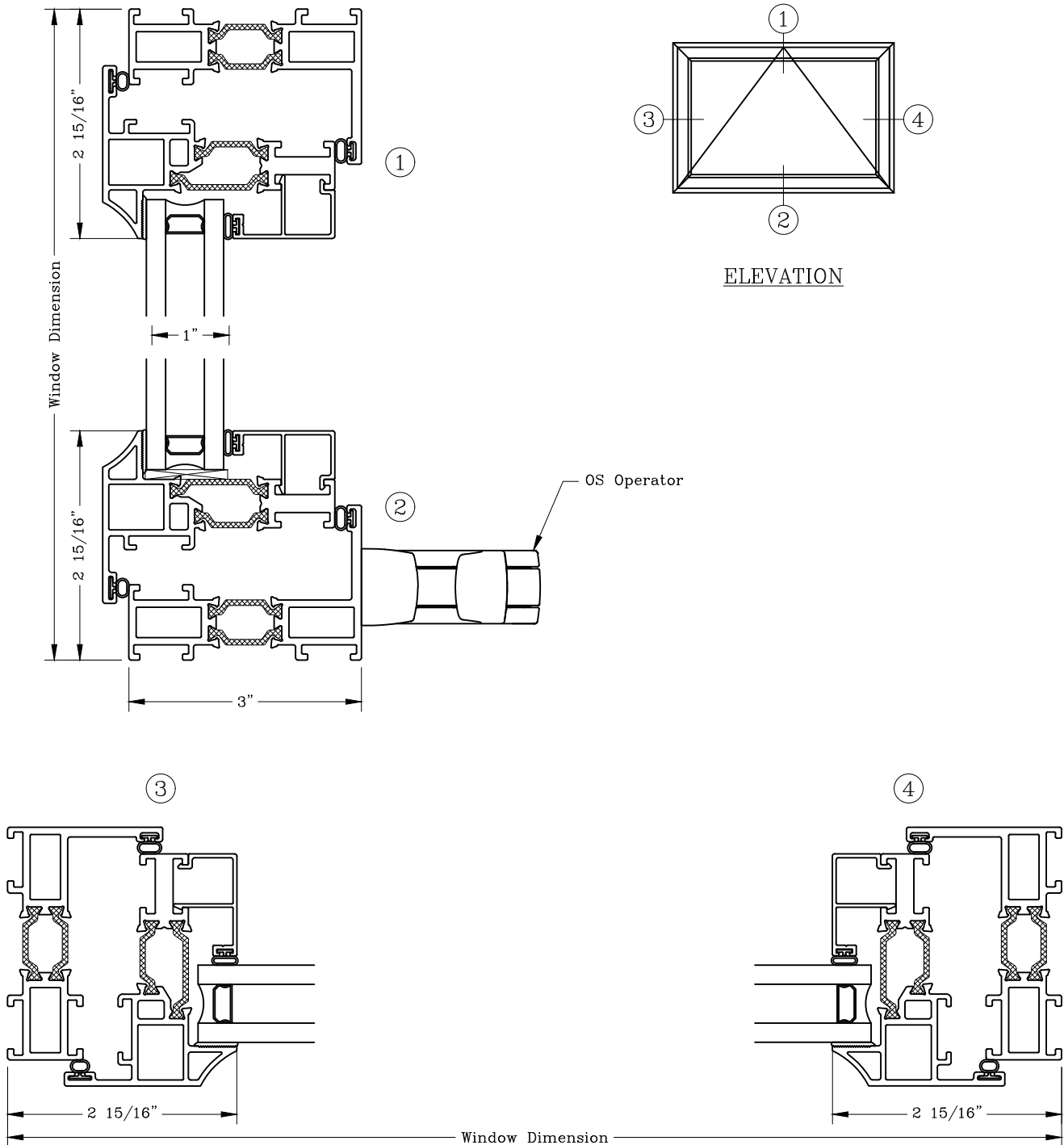
Projected – 3”
 Equal Sightline
 Outswing Awning



Series: GT6700 Manufacturing Code: GT6701C

Drawing 1/2 Scale – For Custom Size Drawing Contact Graham

Note: Sealant Not Shown On Details. Refer To General Installation Instructions.



Note: Dashed Lines Represent Inswing Vented Units Solid Lines Represent
 Outswing Vented Units; Lines Converge At Hinge Side Of Vent

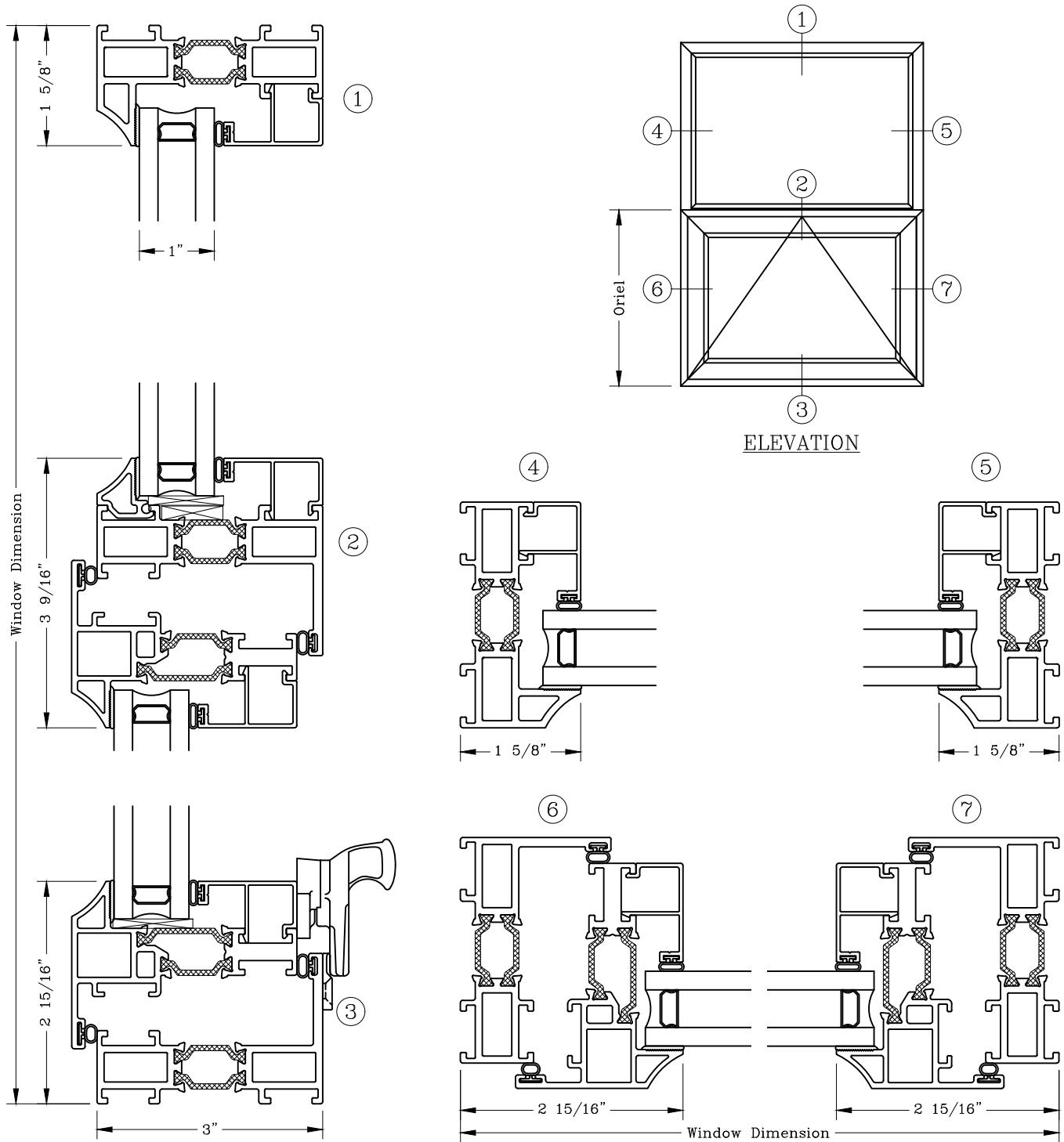
Projected – 3”
 Narrow Sightline
 Fixed Over Outswing



Series: GT6700 Manufacturing Code: GT6702C

Drawing 1/2 Scale – For Custom Size Drawing Contact Graham

Note: Sealant Not Shown On Details. Refer To General Installation Instructions.



Note: Dashed Lines Represent Inswing Vented Units Solid Lines Represent Outswing Vented Units; Lines Converge At Hinge Side Of Vent

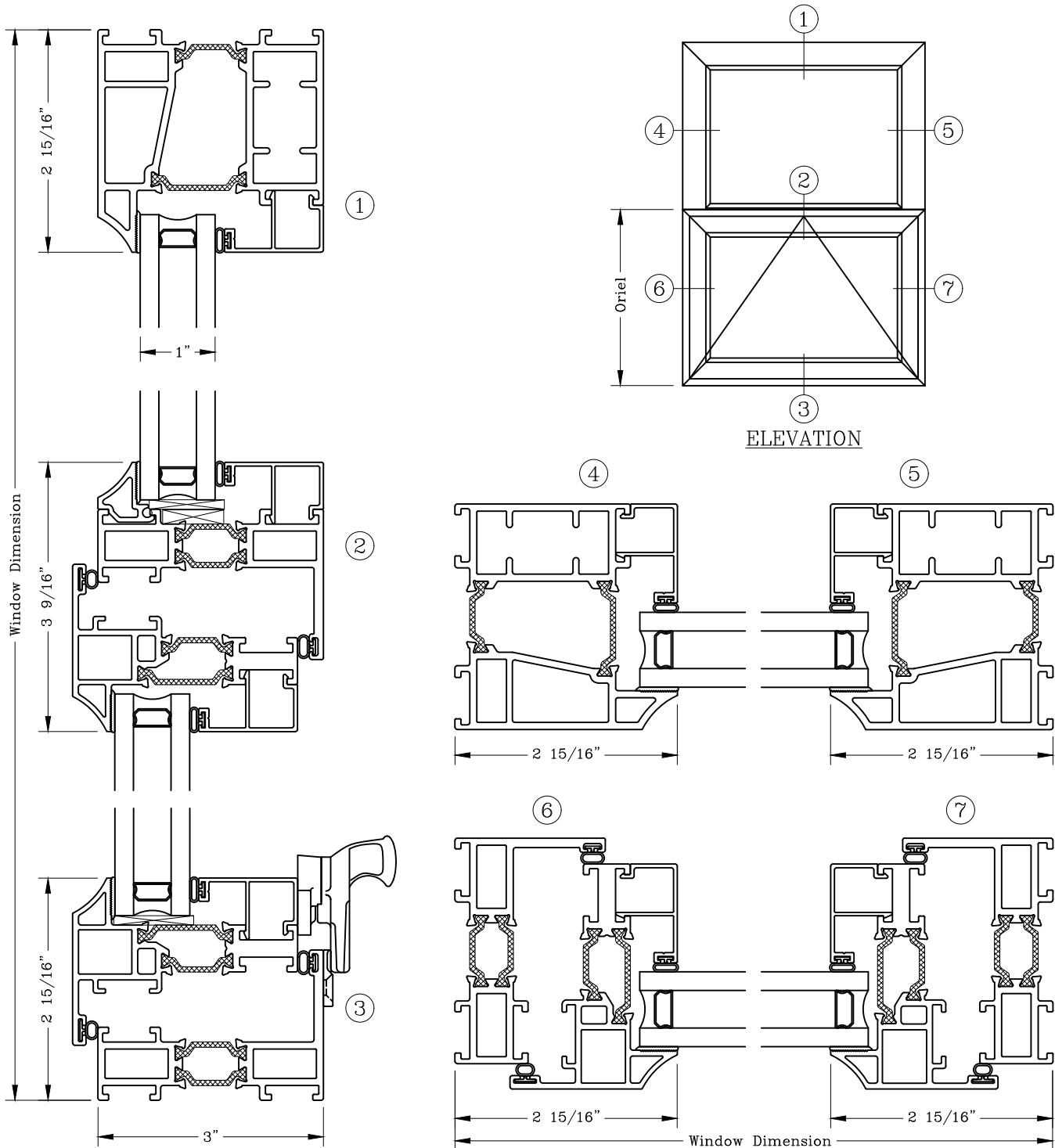
Projected – 3”
 Equal Sightline
 Fixed Over Outswing



Series: GT6700 Manufacturing Code: GT6703C

Drawing 1/2 Scale – For Custom Size Drawing Contact Graham

Note: Sealant Not Shown On Details. Refer To General Installation Instructions.



Note: Dashed Lines Represent Inswing Vented Units Solid Lines Represent Outswing Vented Units; Lines Converge At Hinge Side Of Vent

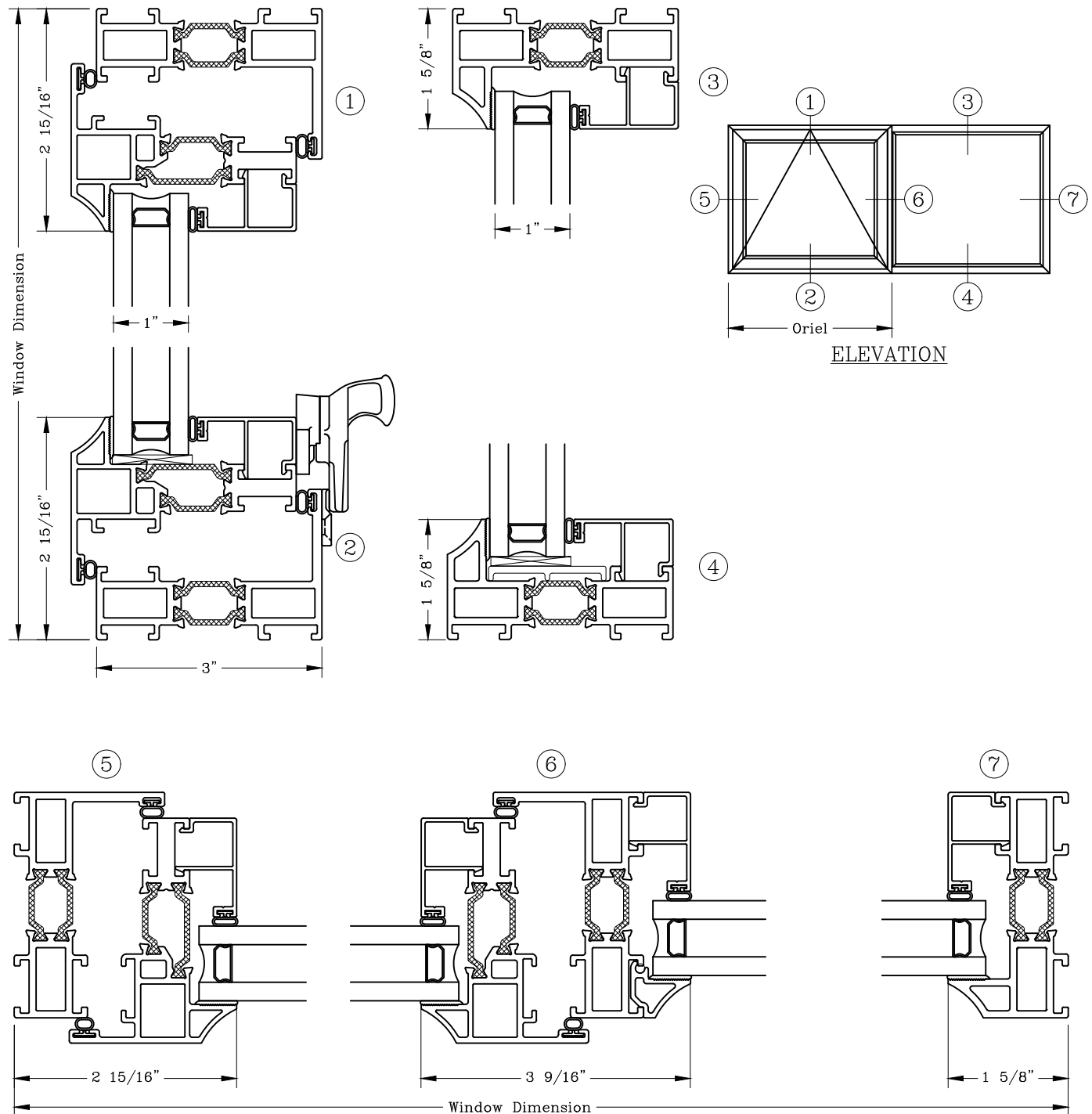
Projected – 3”
 Narrow Sightline
 Outswing Awning/Fixed



Series: GT6700 Manufacturing Code: GT6704C

Drawing 1/2 Scale – For Custom Size Drawing Contact Graham

Note: Sealant Not Shown On Details. Refer To General Installation Instructions.



Note: Dashed Lines Represent Inswing Vented Units Solid Lines Represent Outswing Vented Units; Lines Converge At Hinge Side Of Vent

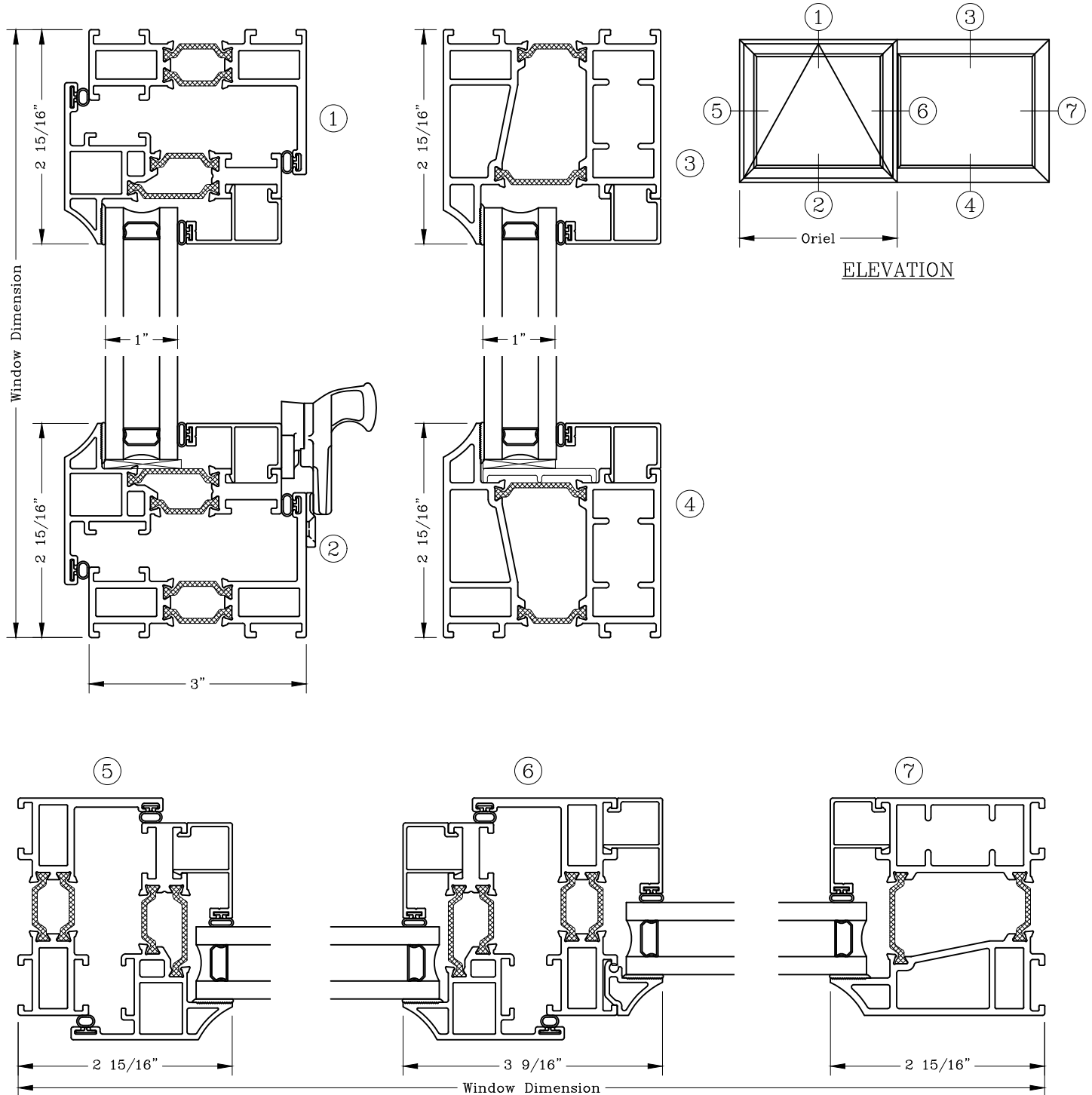
Projected – 3”
 Equal Sightline
 Outswing Awning/Fixed



Series: GT6700 Manufacturing Code: GT6705C

Drawing 1/2 Scale – For Custom Size Drawing Contact Graham

Note: Sealant Not Shown On Details. Refer To General Installation Instructions.



Note: Dashed Lines Represent Inswing Vented Units Solid Lines Represent Outswing Vented Units; Lines Converge At Hinge Side Of Vent

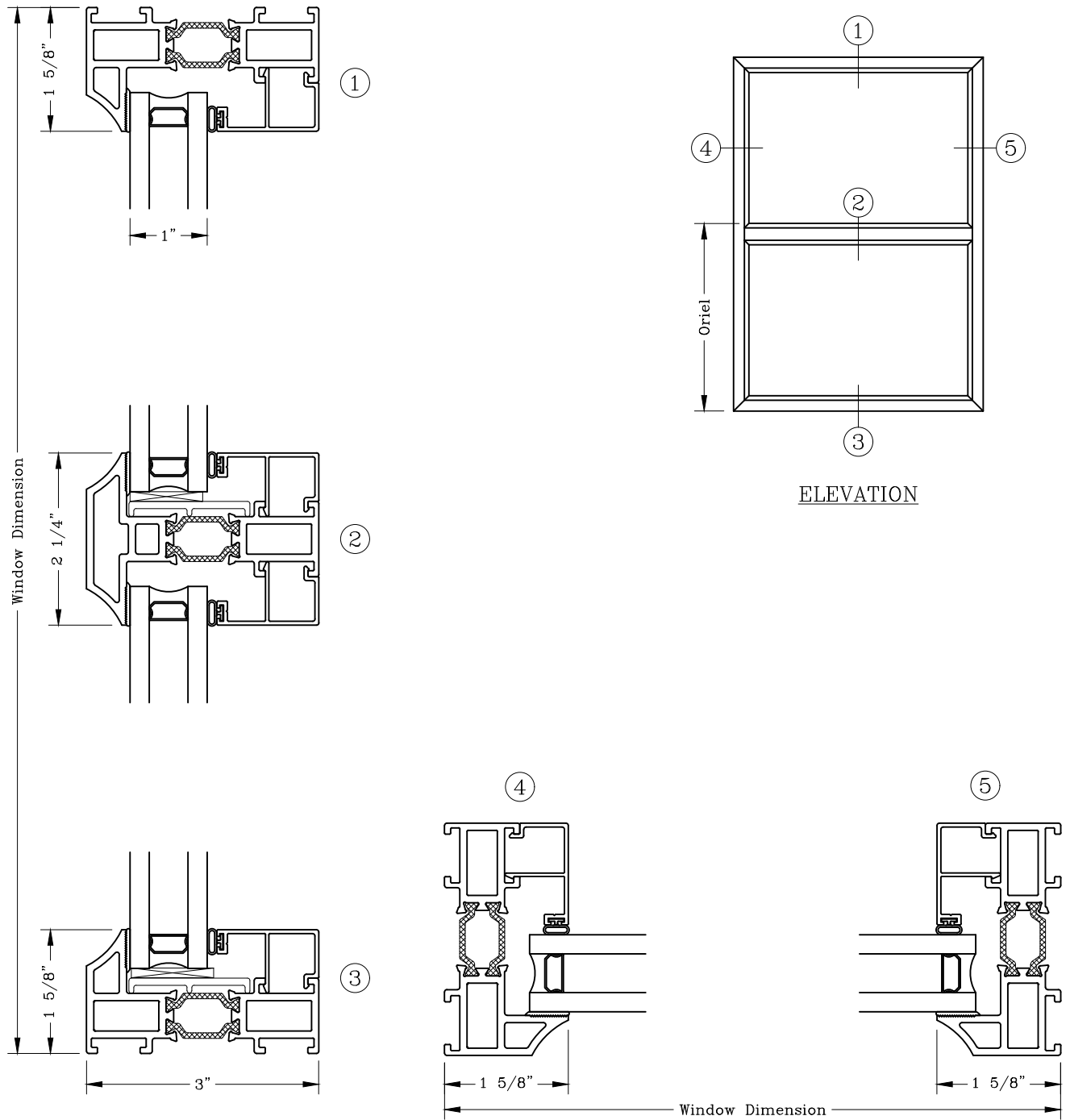
Fixed – 3” Narrow Sightline



Series: GT6700 Manufacturing Code: GT6706C

Drawing 1/2 Scale – For Custom Size Drawing Contact Graham

Note: Sealant Not Shown On Details. Refer To General Installation Instructions.



Note: Dashed Lines Represent Inswing Vented Units Solid Lines Represent
Outswing Vented Units; Lines Converge At Hinge Side Of Vent

Fixed - 3" Equal Sightline

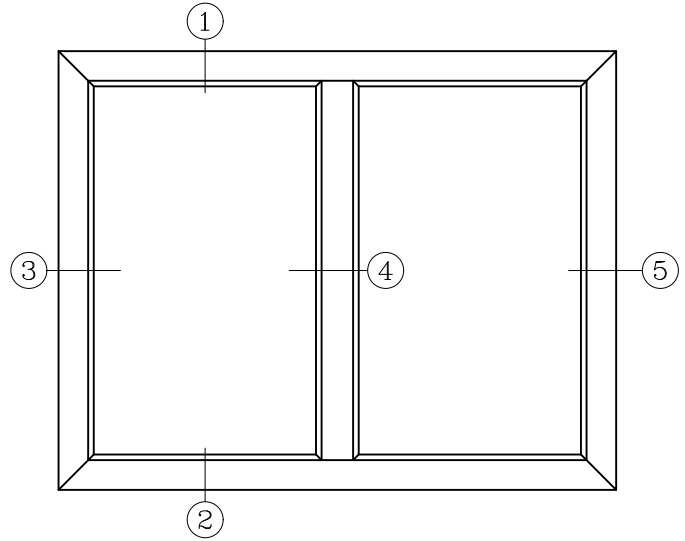
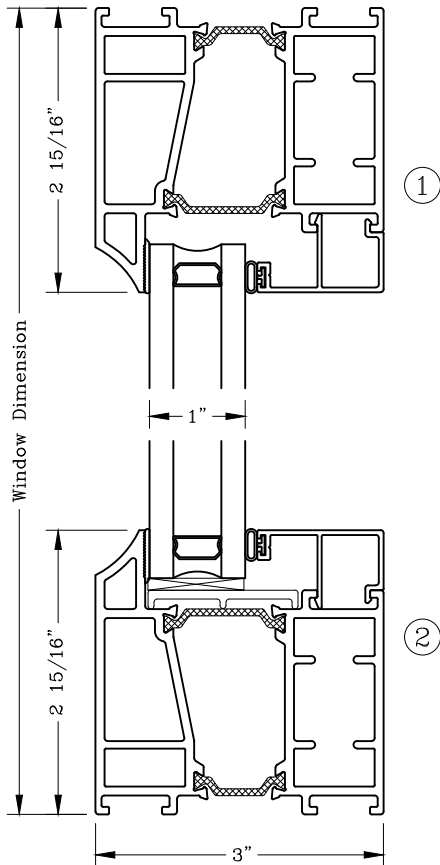


Series: GT6700

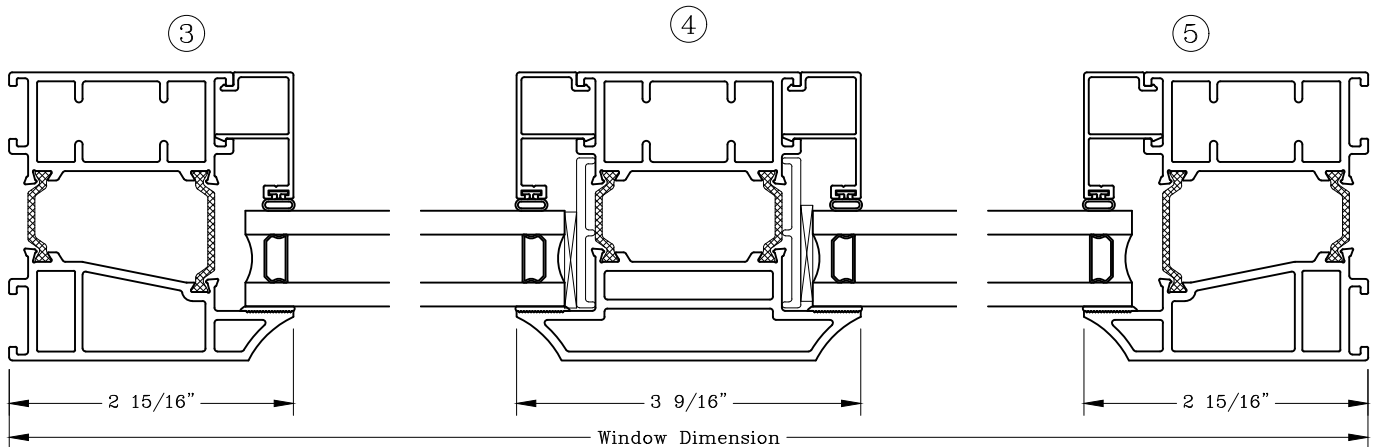
Manufacturing Code: GT6707C

Drawing 1/2 Scale - For Custom Size Drawing Contact Graham

Note: Sealant Not Shown On Details. Refer To General Installation Instructions.



ELEVATION



Note: Dashed Lines Represent Inswing Vented Units Solid Lines Represent
Outswing Vented Units; Lines Converge At Hinge Side Of Vent

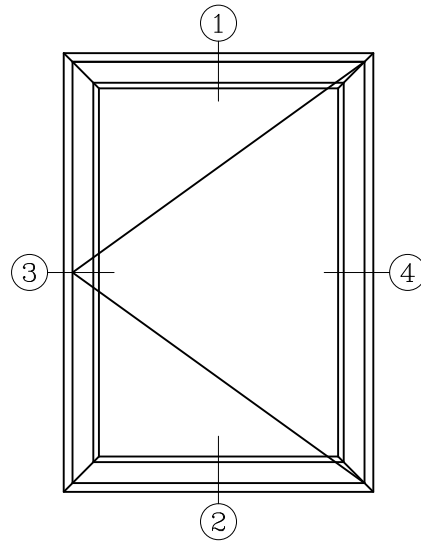
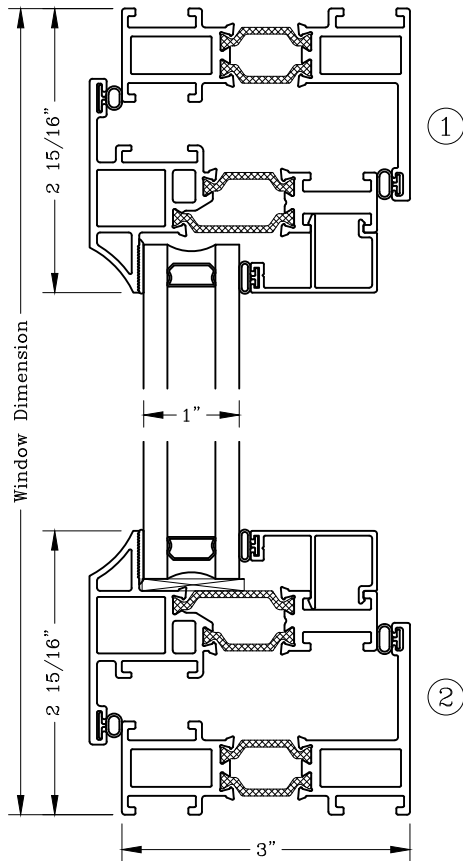
Casement – 3”
 Equal Sightline
 Outswing



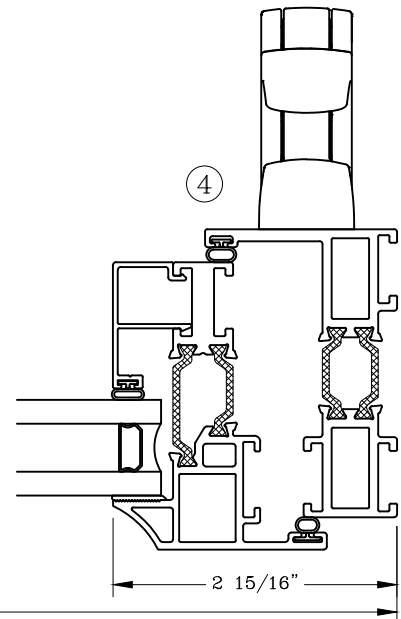
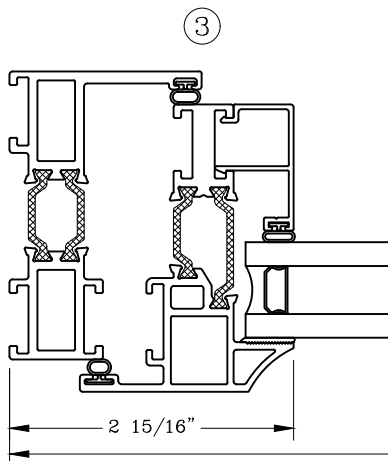
Series: GT6700 Manufacturing Code: GT6708C

Drawing 1/2 Scale – For Custom Size Drawing Contact Graham

Note: Sealant Not Shown On Details. Refer To General Installation Instructions.



ELEVATION



Window Dimension

Note: Dashed Lines Represent Inswing Vented Units Solid Lines Represent
 Outswing Vented Units; Lines Converge At Hinge Side Of Vent

Casement – 3”

Equal Sightline

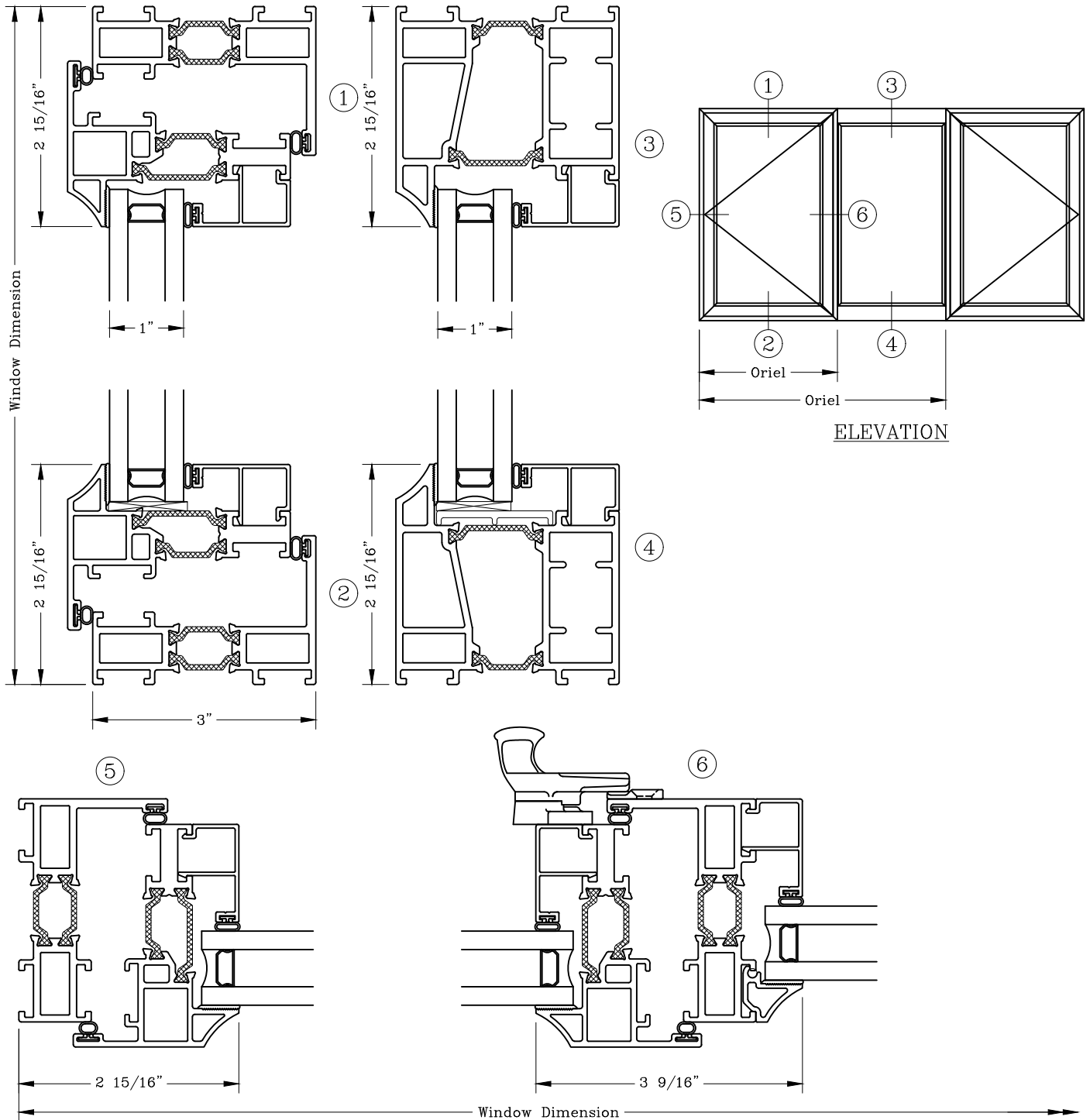
Outswing/Fixed/Outswing

Series: GT6700

Manufacturing Code: GT6709C

Drawing 1/2 Scale – For Custom Size Drawing Contact Graham

Note: Sealant Not Shown On Details. Refer To General Installation Instructions.



Note: Dashed Lines Represent Inswing Vented Units Solid Lines Represent Outswing Vented Units; Lines Converge At Hinge Side Of Vent

Casement – 3”

Narrow Sightline

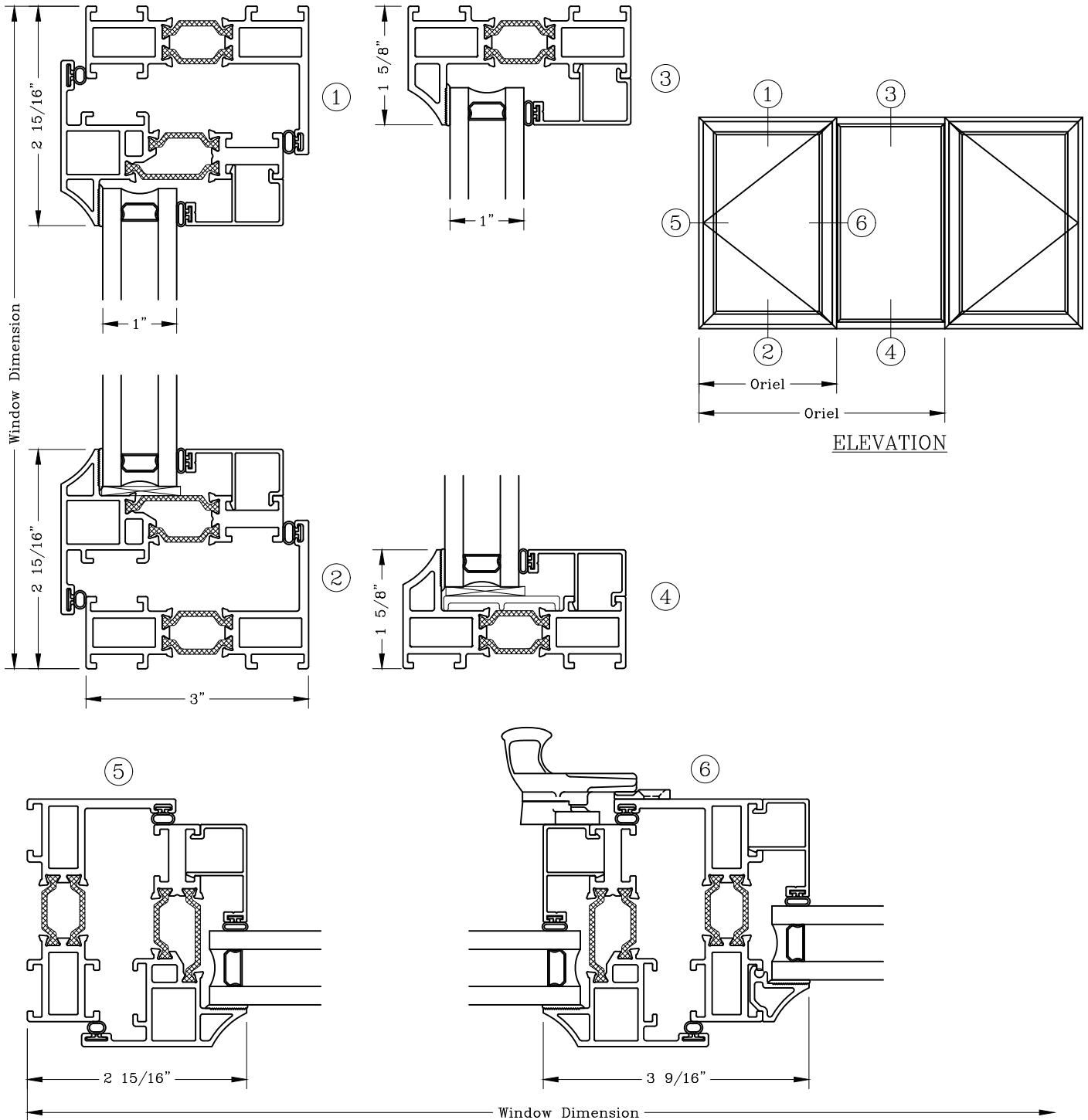
Outswing/Fixed/Outswing

Series: GT6700

Manufacturing Code: GT6710C

Drawing 1/2 Scale – For Custom Size Drawing Contact Graham

Note: Sealant Not Shown On Details. Refer To General Installation Instructions.



Note: Dashed Lines Represent Inswing Vented Units Solid Lines Represent Outswing Vented Units; Lines Converge At Hinge Side Of Vent

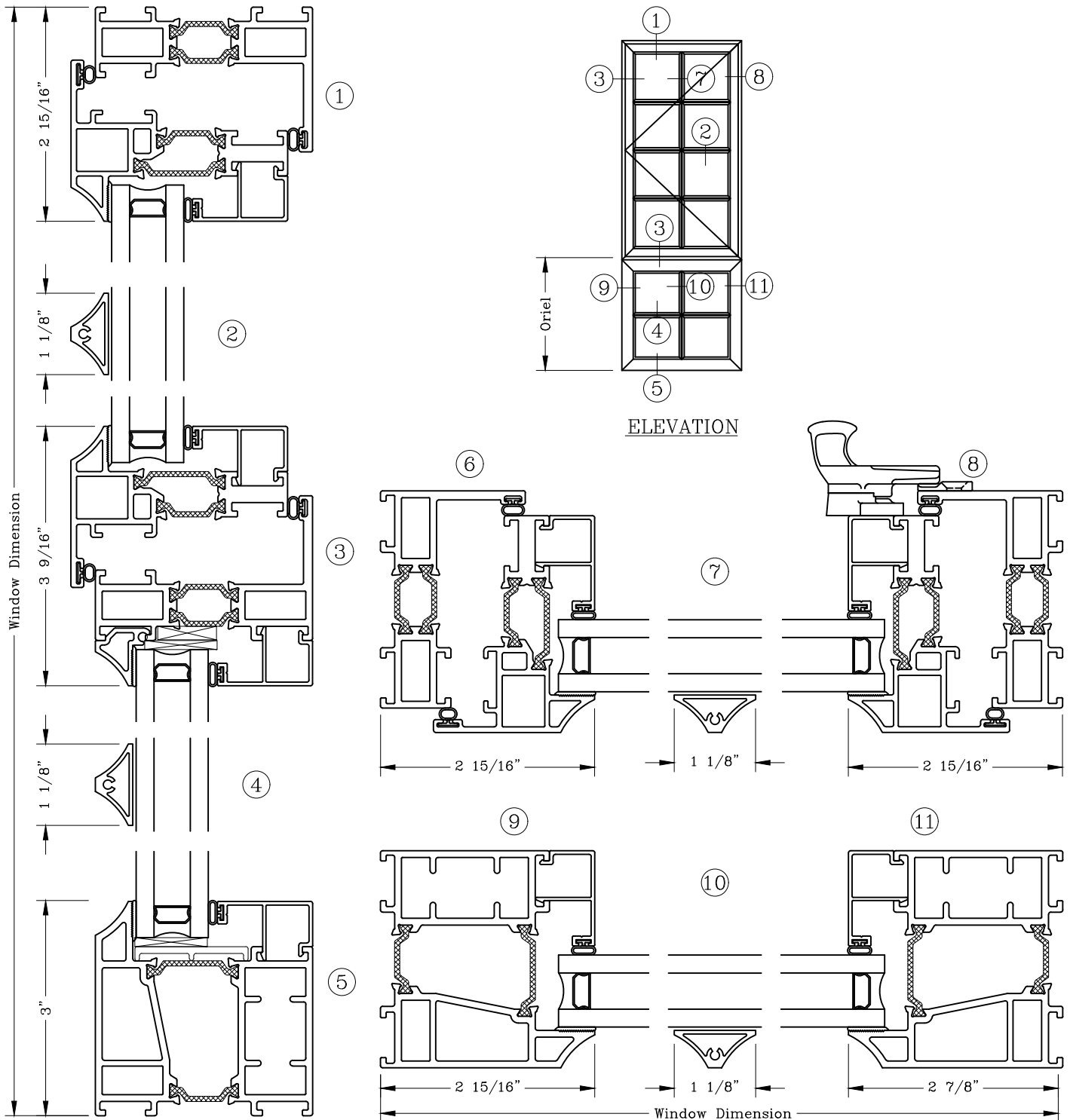
Casement - 3"
 Equal Sightline
 Outswing Over Fixed



Series: GT6700 Manufacturing Code: GT6711C

Drawing 1/2 Scale - For Custom Size Drawing Contact Graham

Note: Sealant Not Shown On Details. Refer To General Installation Instructions.



Note: Dashed Lines Represent Inswing Vented Units Solid Lines Represent Outswing Vented Units; Lines Converge At Hinge Side Of Vent

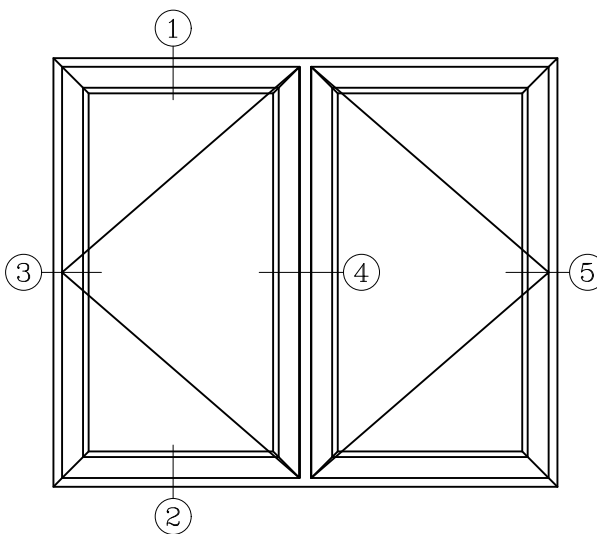
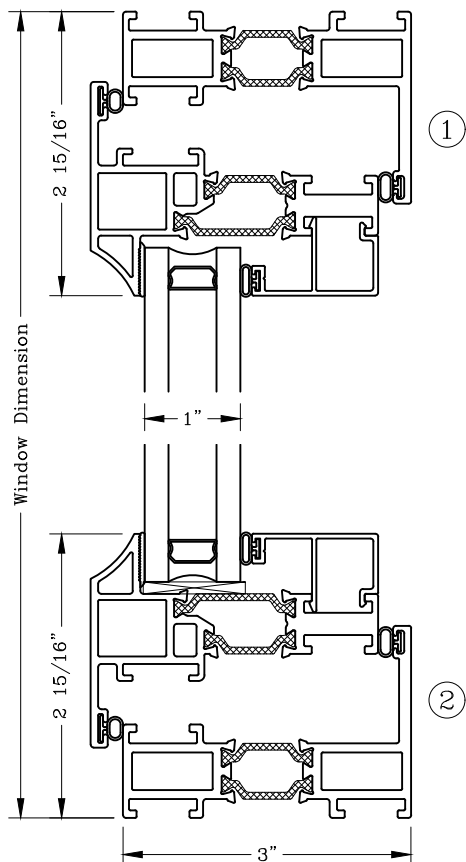
Casement – 3” Outswing Twin Casement



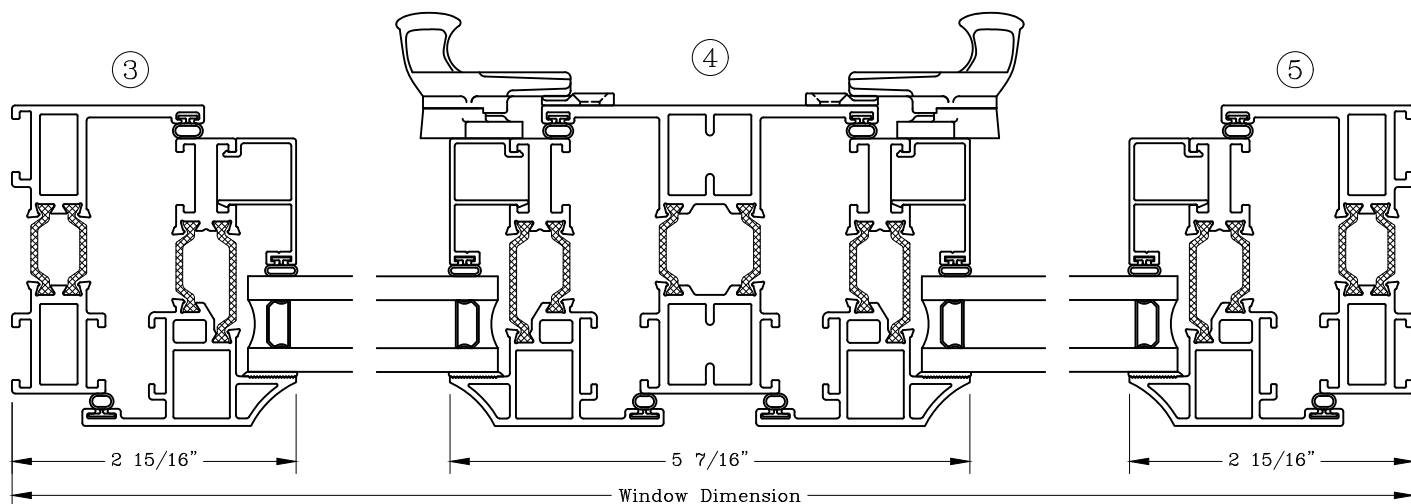
Series: GT6700 Manufacturing Code: GT6712C

Drawing 1/2 Scale – For Custom Size Drawing Contact Graham

Note: Sealant Not Shown On Details. Refer To General Installation Instructions.



ELEVATION



Note: Dashed Lines Represent Inswing Vented Units Solid Lines Represent Outswing Vented Units; Lines Converge At Hinge Side Of Vent

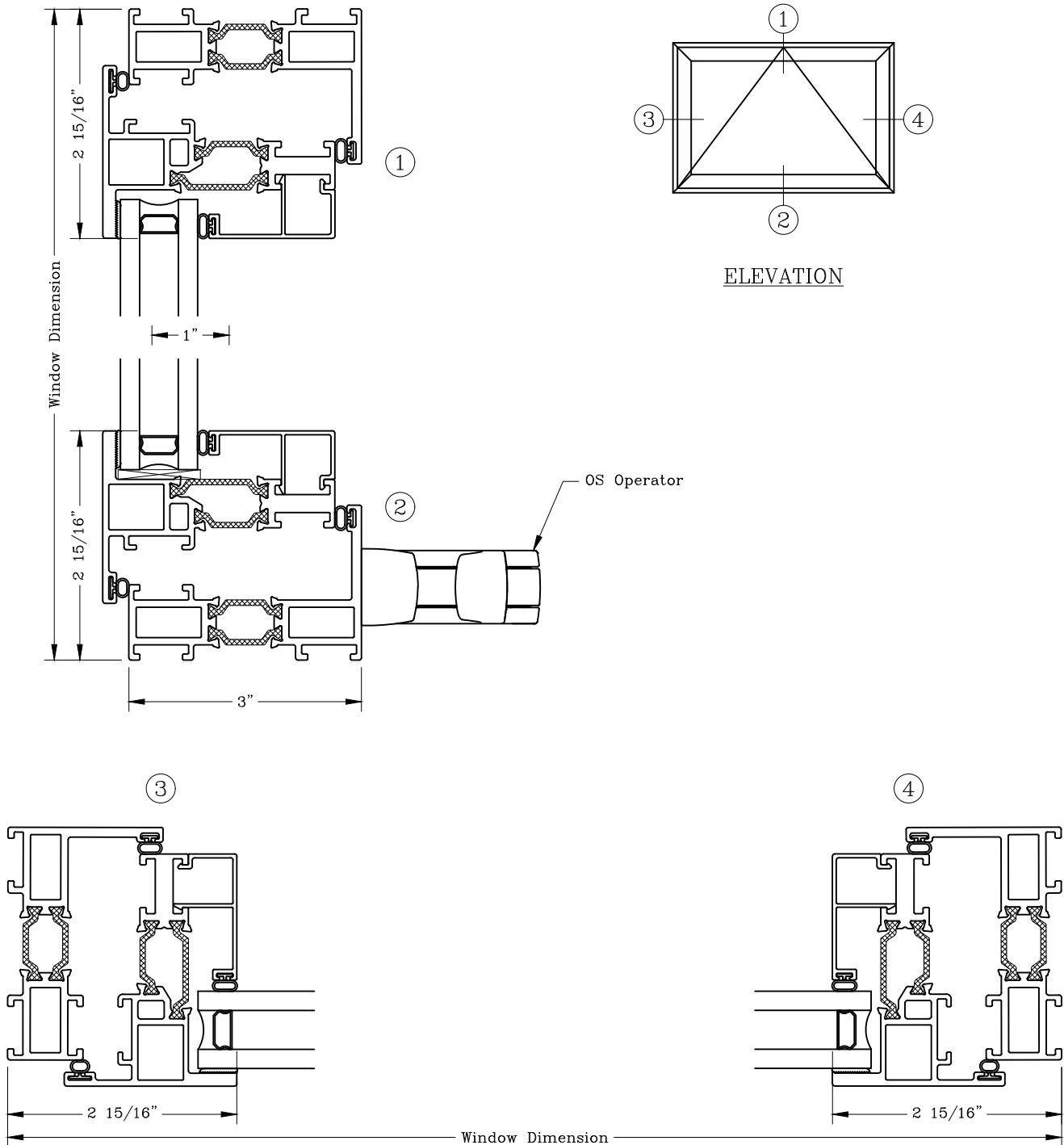
Projected – 3”
 Equal Sightline
 Outswing Awning



Series: GT6700 Manufacturing Code: GT6701F

Drawing 1/2 Scale – For Custom Size Drawing Contact Graham

Note: Sealant Not Shown On Details. Refer To General Installation Instructions.



Note: Dashed Lines Represent Inswing Vented Units Solid Lines Represent Outswing Vented Units; Lines Converge At Hinge Side Of Vent

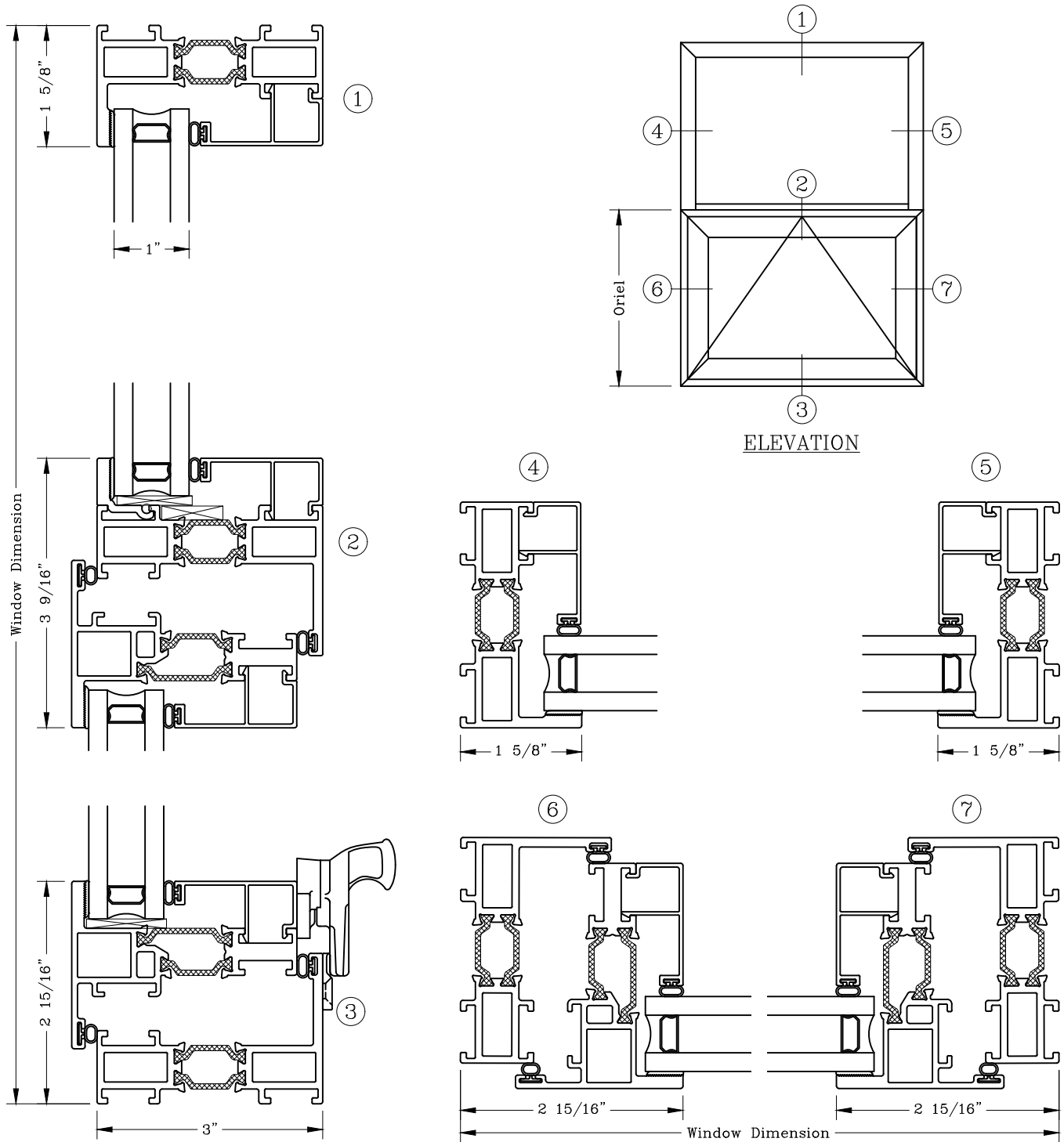
Projected – 3”
 Narrow Sightline
 Fixed Over Outswing



Series: GT6700 Manufacturing Code: GT6702F

Drawing 1/2 Scale – For Custom Size Drawing Contact Graham

Note: Sealant Not Shown On Details. Refer To General Installation Instructions.



Note: Dashed Lines Represent Inswing Vented Units Solid Lines Represent Outswing Vented Units; Lines Converge At Hinge Side Of Vent

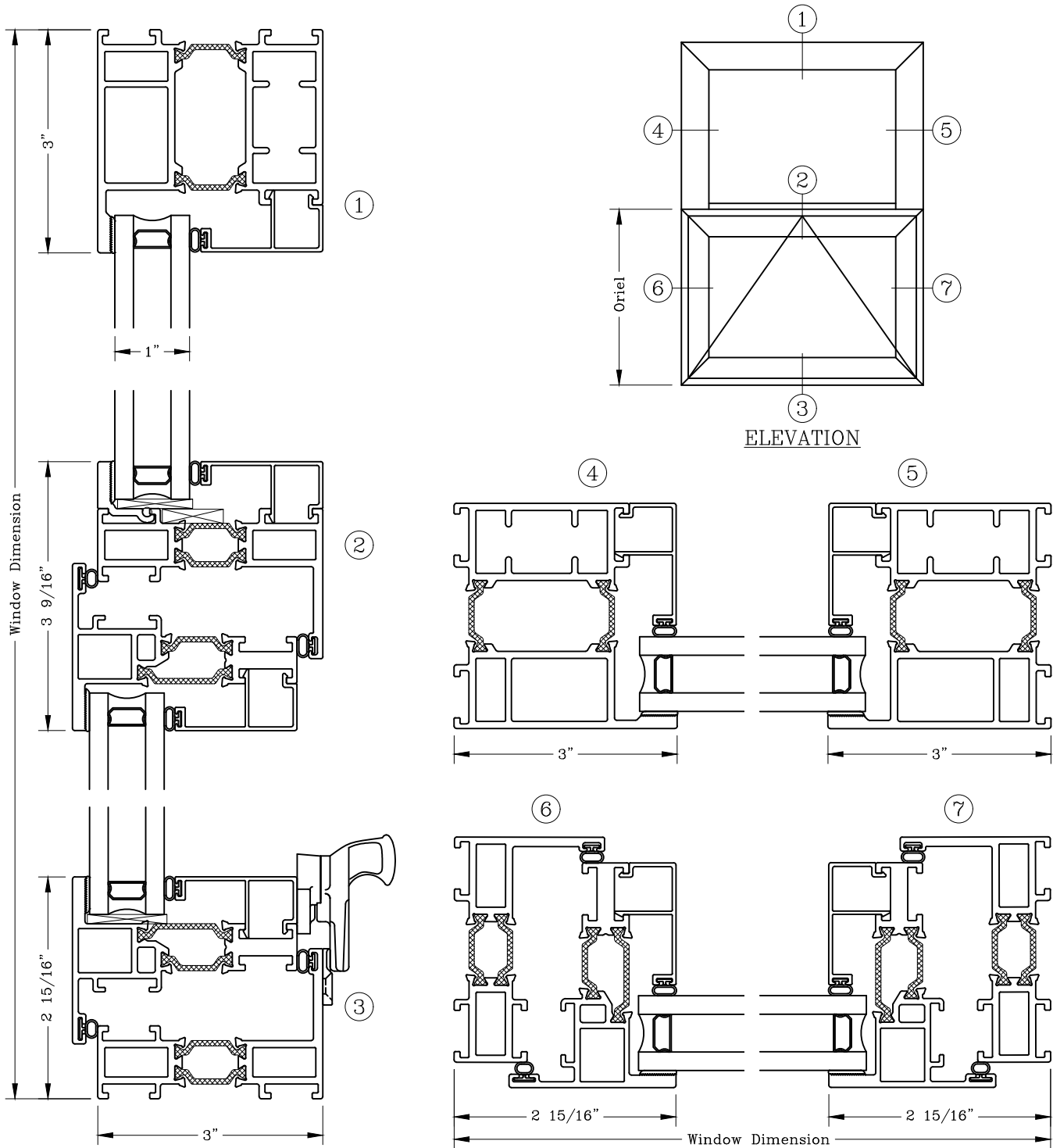
Projected – 3”
 Equal Sightline
 Fixed Over Outswing



Series: GT6700 Manufacturing Code: GT6703F

Drawing 1/2 Scale – For Custom Size Drawing Contact Graham

Note: Sealant Not Shown On Details. Refer To General Installation Instructions.



Note: Dashed Lines Represent Inswing Vented Units Solid Lines Represent Outswing Vented Units; Lines Converge At Hinge Side Of Vent

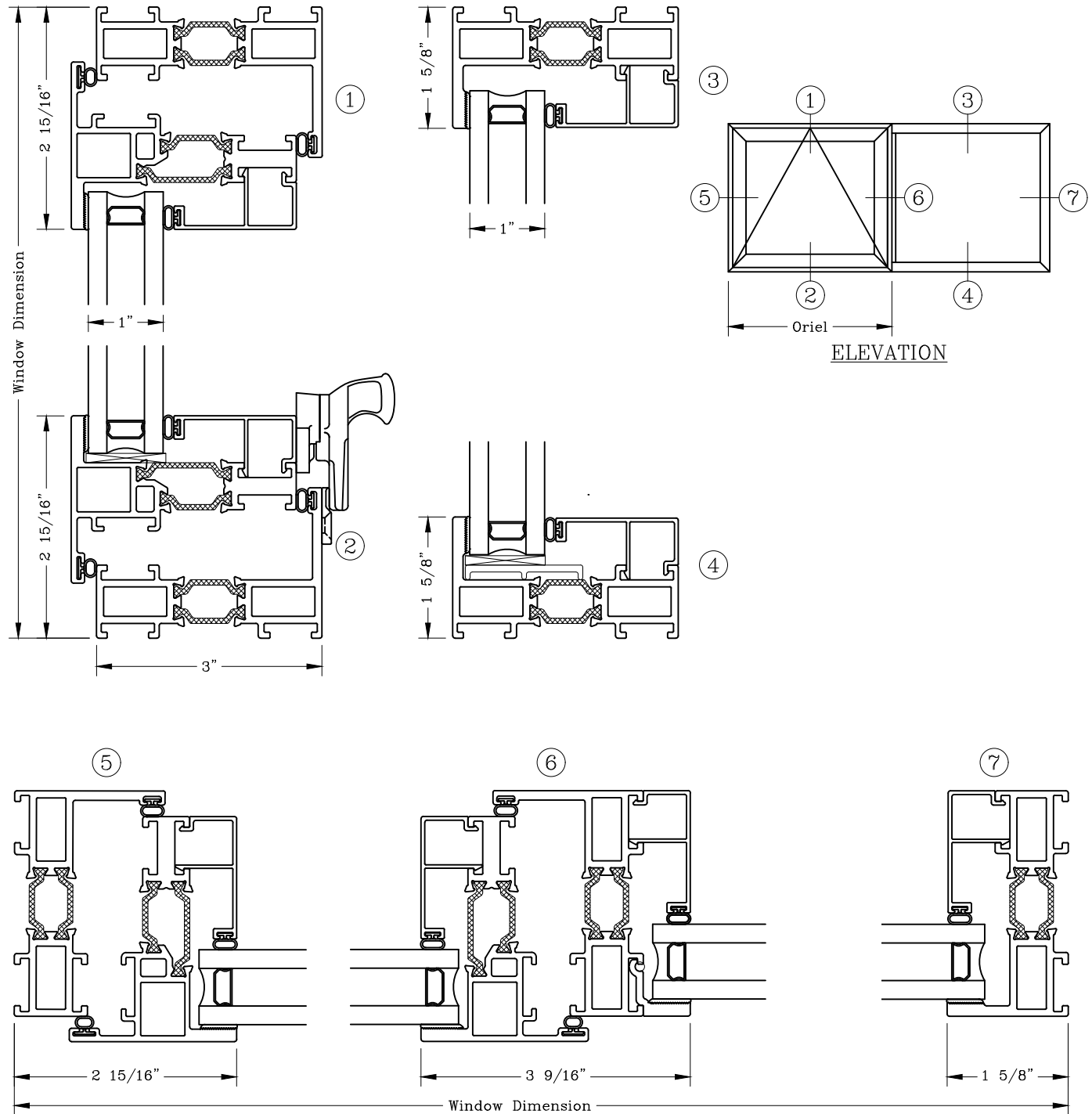
Projected – 3”
 Narrow Sightline
 Outswing Awning/Fixed



Series: GT6700 Manufacturing Code: GT6704F

Drawing 1/2 Scale – For Custom Size Drawing Contact Graham

Note: Sealant Not Shown On Details. Refer To General Installation Instructions.



Note: Dashed Lines Represent Inswing Vented Units Solid Lines Represent Outswing Vented Units; Lines Converge At Hinge Side Of Vent

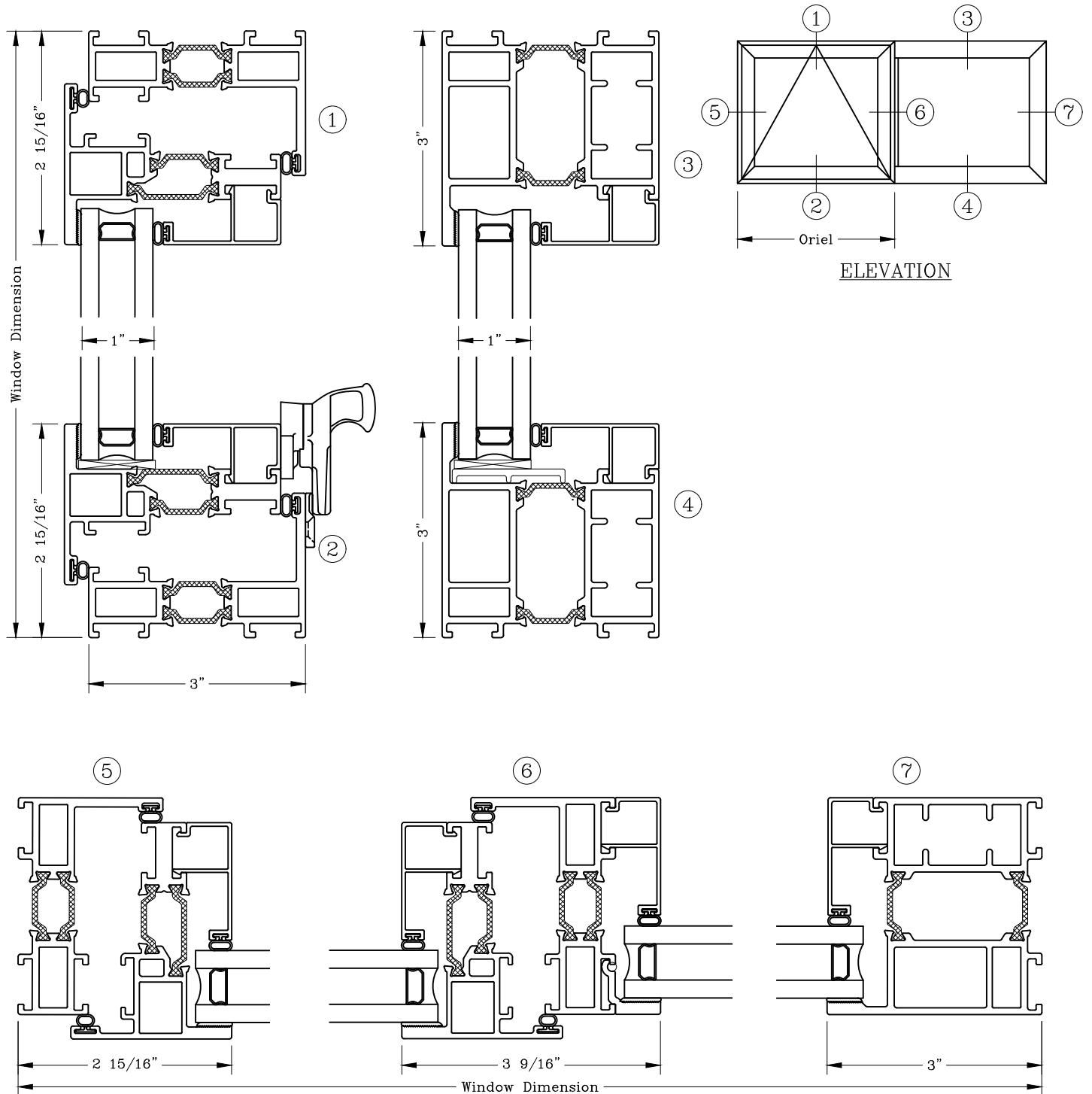
Projected – 3"
 Equal Sightline
 Outswing Awning/Fixed



Series: GT6700 Manufacturing Code: GT6705F

Drawing 1/2 Scale – For Custom Size Drawing Contact Graham

Note: Sealant Not Shown On Details. Refer To General Installation Instructions.



Note: Dashed Lines Represent Inswing Vented Units Solid Lines Represent Outswing Vented Units; Lines Converge At Hinge Side Of Vent

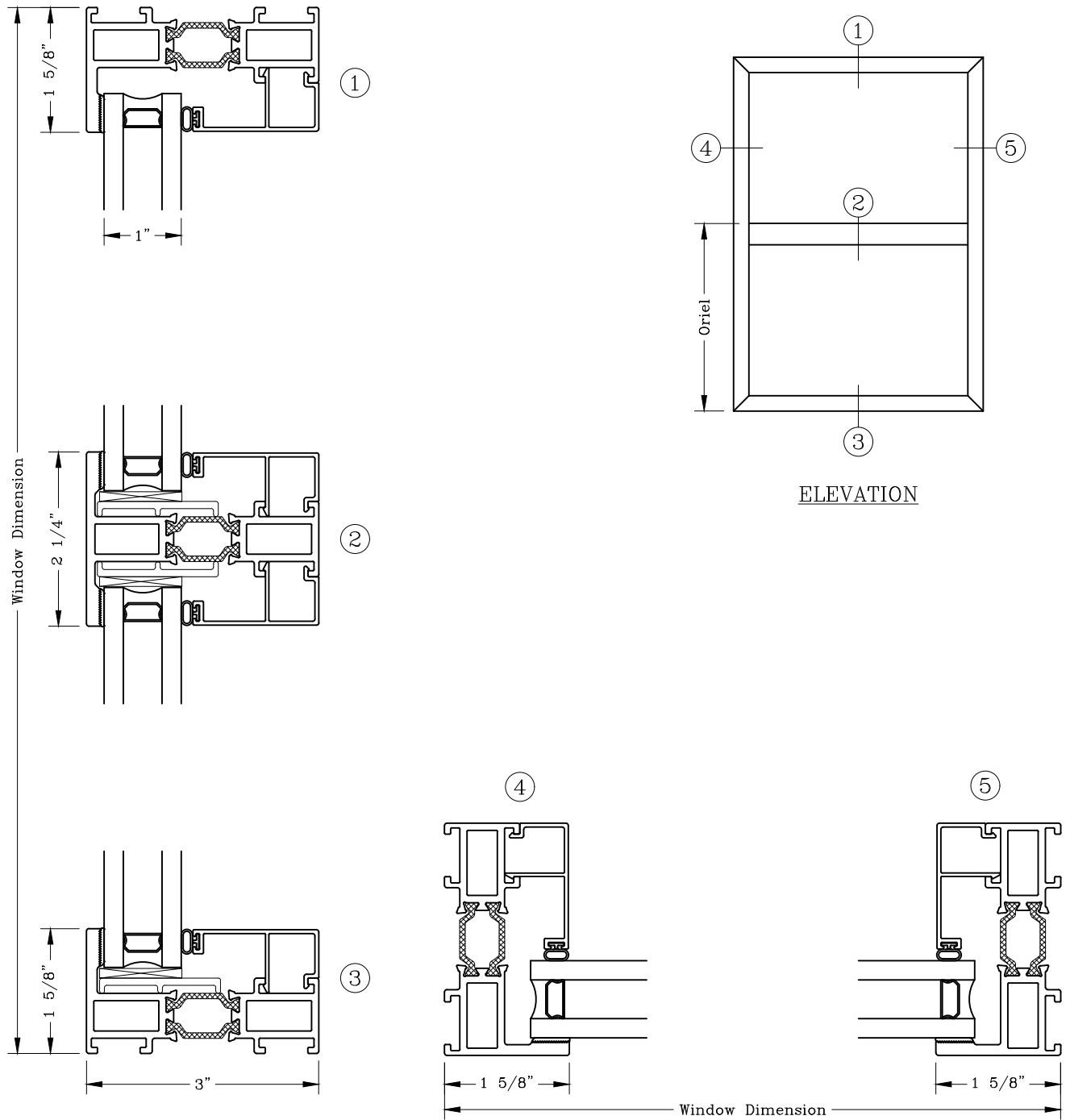
Fixed – 3” Narrow Sightline



Series: GT6700 Manufacturing Code: GT6706F

Drawing 1/2 Scale – For Custom Size Drawing Contact Graham

Note: Sealant Not Shown On Details. Refer To General Installation Instructions.



Note: Dashed Lines Represent Inswing Vented Units Solid Lines Represent
Outswing Vented Units; Lines Converge At Hinge Side Of Vent

Fixed - 3" Equal Sightline

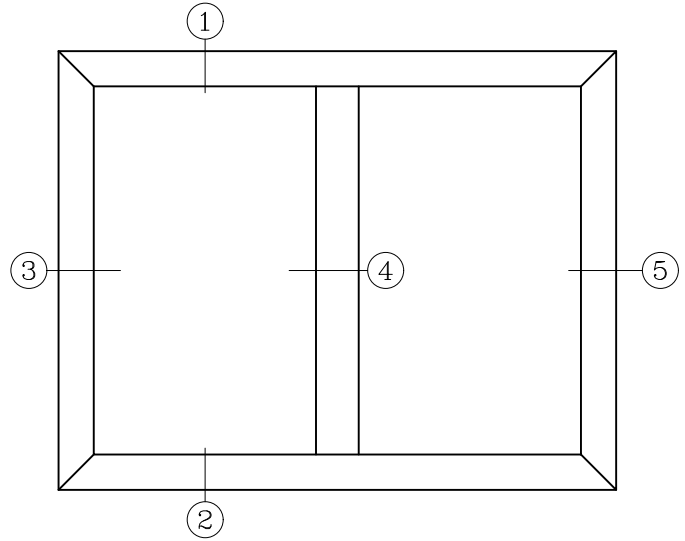
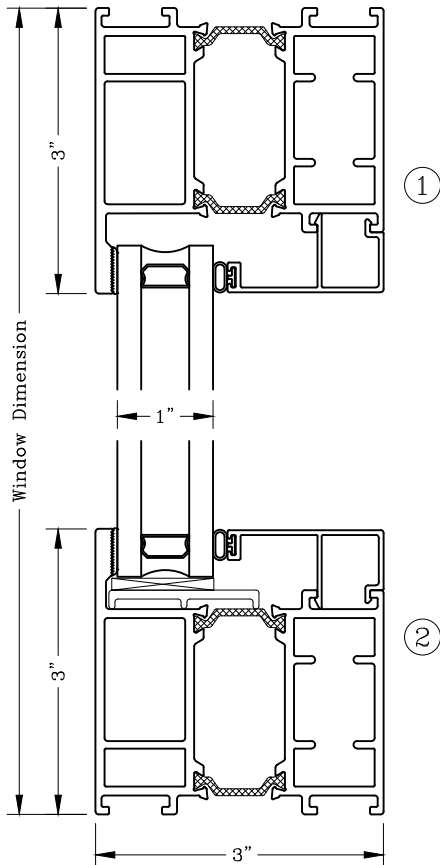


Series: GT6700

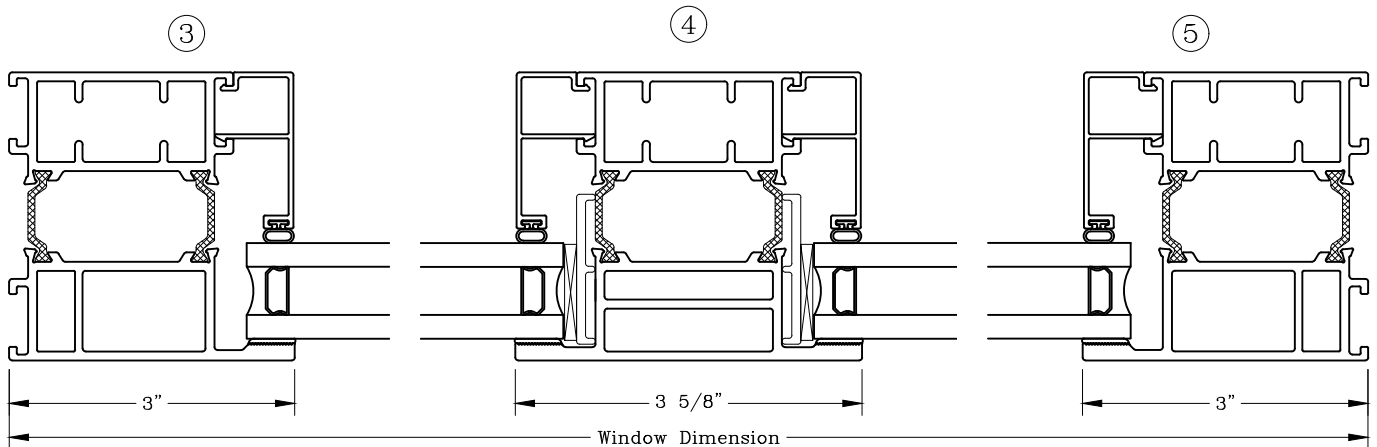
Manufacturing Code: GT6707F

Drawing 1/2 Scale - For Custom Size Drawing Contact Graham

Note: Sealant Not Shown On Details. Refer To General Installation Instructions.



ELEVATION



Note: Dashed Lines Represent Inswing Vented Units Solid Lines Represent
Outswing Vented Units; Lines Converge At Hinge Side Of Vent

Casement – 3”
 Equal Sightline
 Outswing

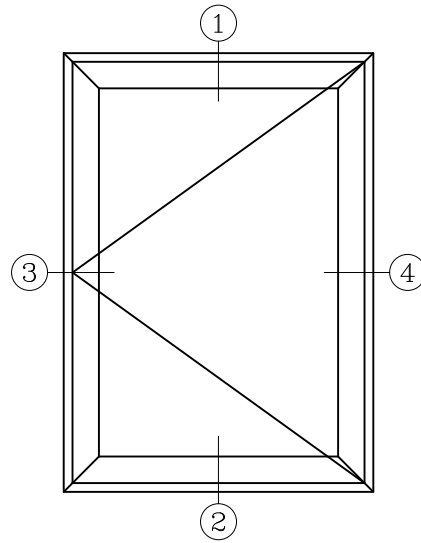
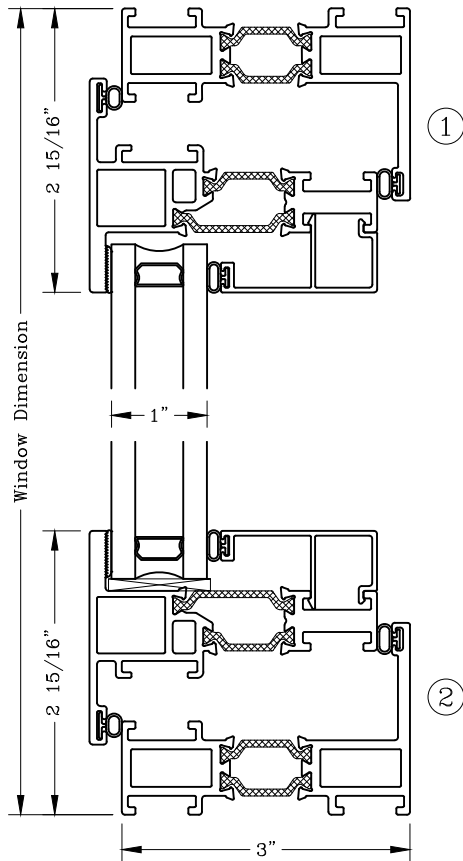


Series: GT6700

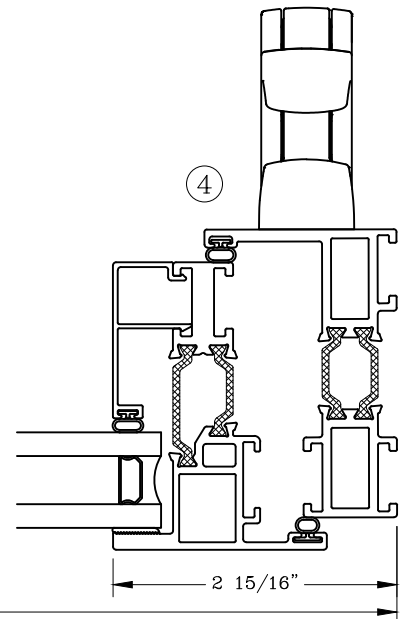
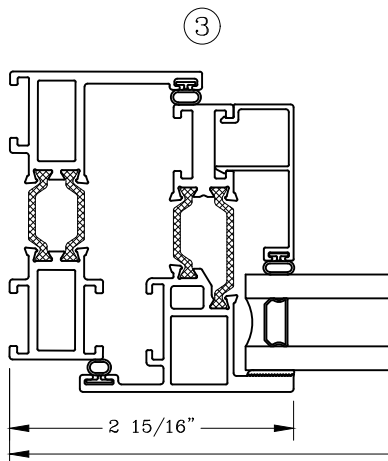
Manufacturing Code: GT6708F

Drawing 1/2 Scale – For Custom Size Drawing Contact Graham

Note: Sealant Not Shown On Details. Refer To General Installation Instructions.



ELEVATION



Window Dimension

Note: Dashed Lines Represent Inswing Vented Units Solid Lines Represent
 Outswing Vented Units; Lines Converge At Hinge Side Of Vent

Casement – 3”

Equal Sightline

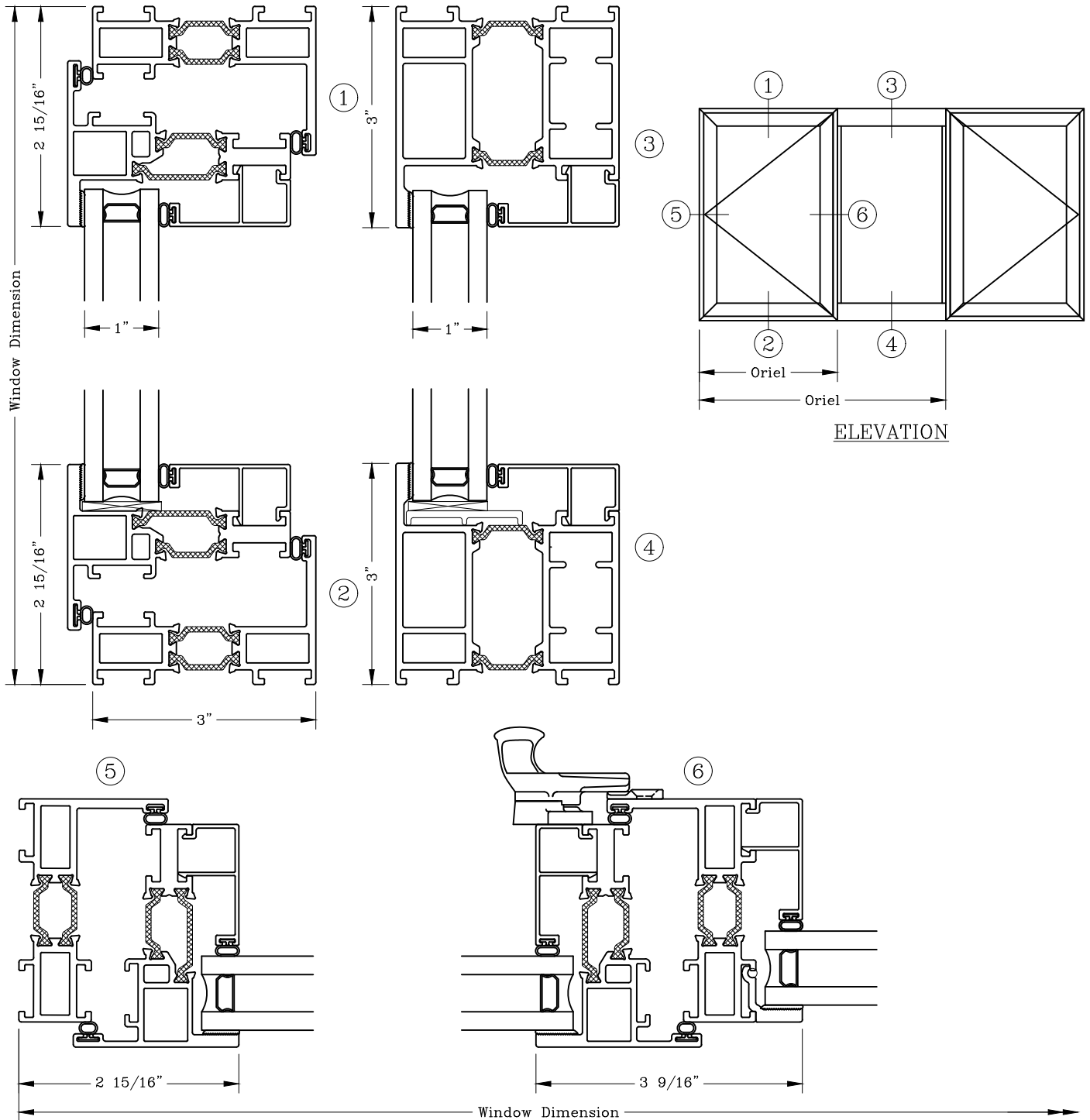
Outswing/Fixed/Outswing

Series: GT6700

Manufacturing Code: GT6709F

Drawing 1/2 Scale – For Custom Size Drawing Contact Graham

Note: Sealant Not Shown On Details. Refer To General Installation Instructions.



Note: Dashed Lines Represent Inswing Vented Units Solid Lines Represent Outswing Vented Units; Lines Converge At Hinge Side Of Vent

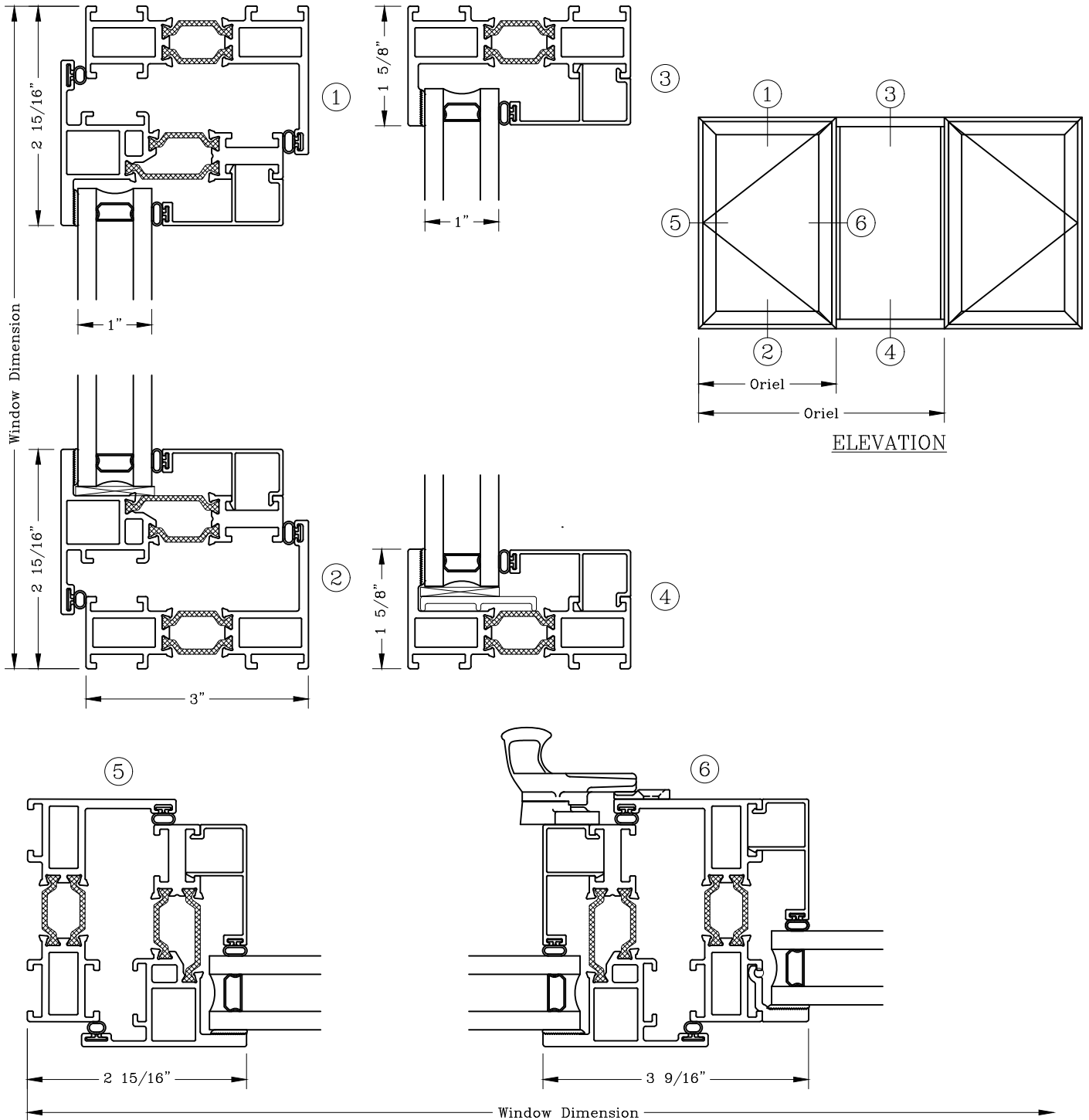
Casement – 3”
 Narrow Sightline
 Outswing/Fixed/Outswing



Series: GT6700 Manufacturing Code: GT6710F

Drawing 1/2 Scale – For Custom Size Drawing Contact Graham

Note: Sealant Not Shown On Details. Refer To General Installation Instructions.



Note: Dashed Lines Represent Inswing Vented Units Solid Lines Represent Outswing Vented Units; Lines Converge At Hinge Side Of Vent

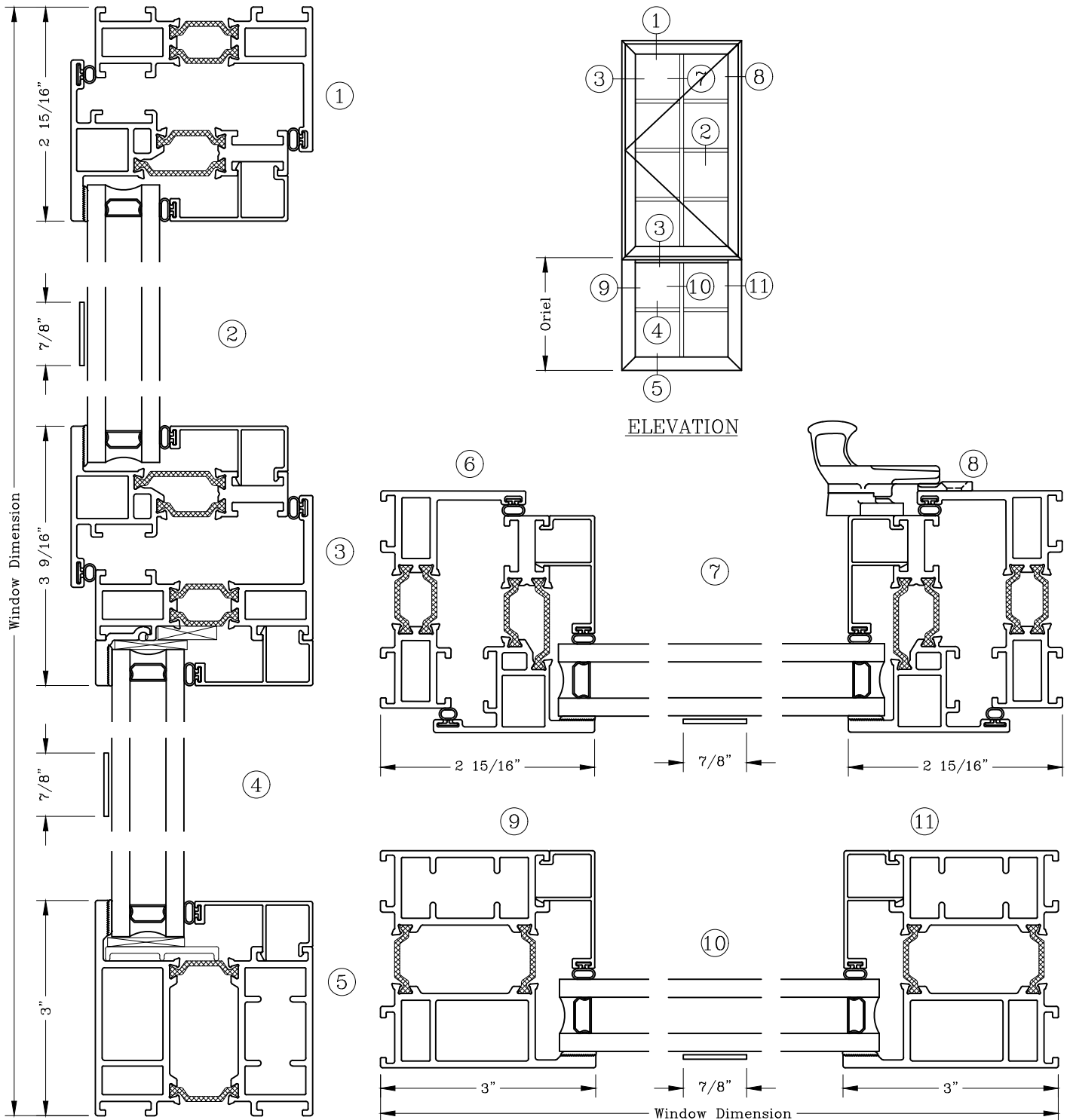
Casement - 3"
 Equal Sightline
 Outswing Over Fixed



Series: GT6700 Manufacturing Code: GT6711F

Drawing 1/2 Scale - For Custom Size Drawing Contact Graham

Note: Sealant Not Shown On Details. Refer To General Installation Instructions.



Note: Dashed Lines Represent Inswing Vented Units Solid Lines Represent Outswing Vented Units; Lines Converge At Hinge Side Of Vent

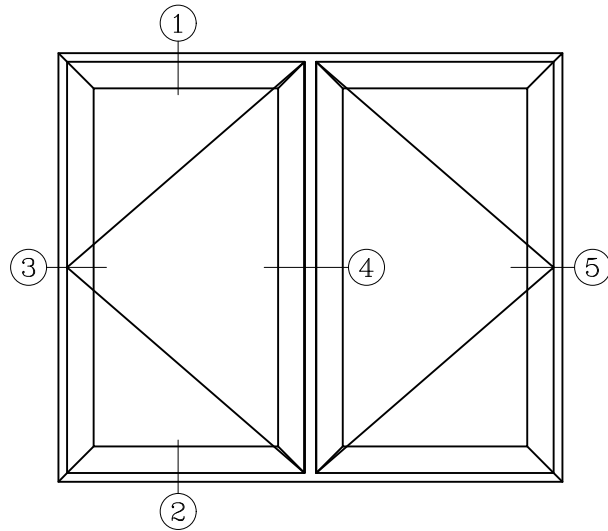
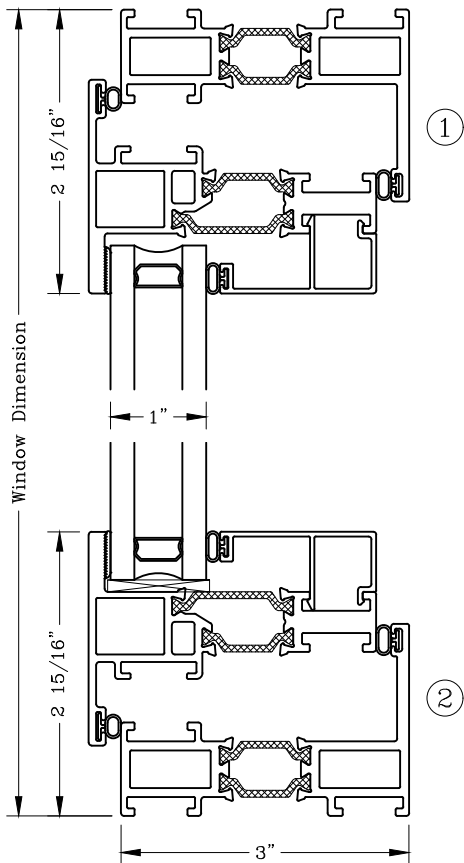
Casement – 3” Outswing Twin Casement



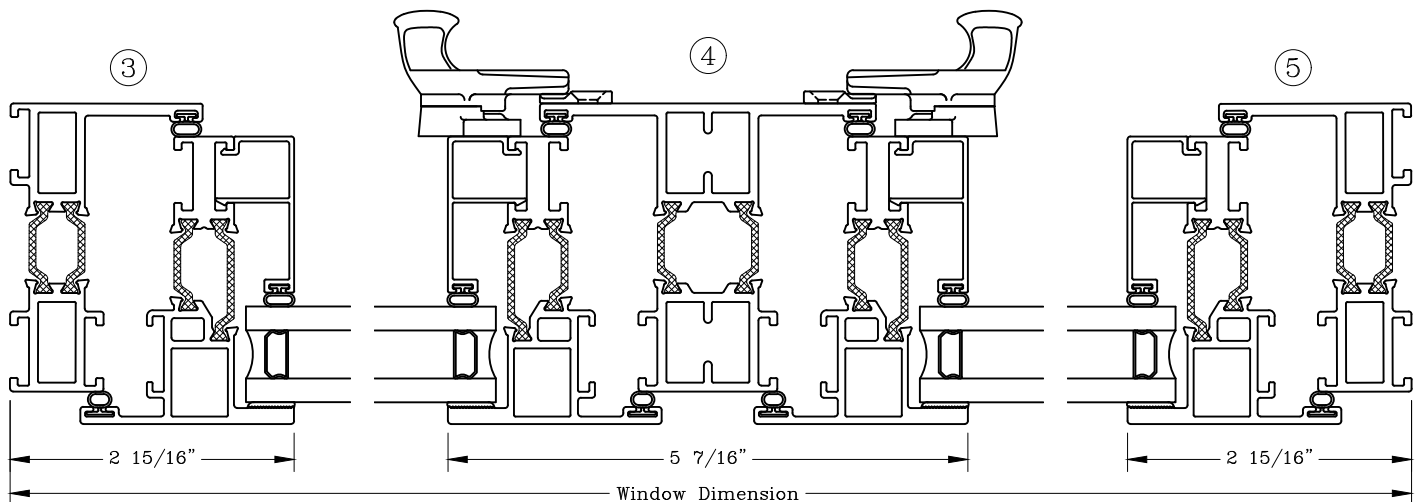
Series: GT6700 Manufacturing Code: GT6712F

Drawing 1/2 Scale – For Custom Size Drawing Contact Graham

Note: Sealant Not Shown On Details. Refer To General Installation Instructions.



ELEVATION



Note: Dashed Lines Represent Inswing Vented Units Solid Lines Represent Outswing Vented Units; Lines Converge At Hinge Side Of Vent

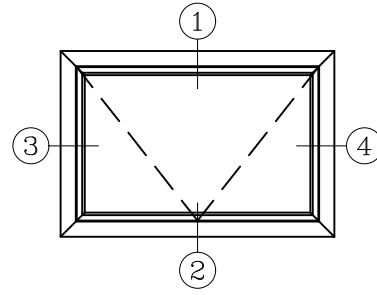
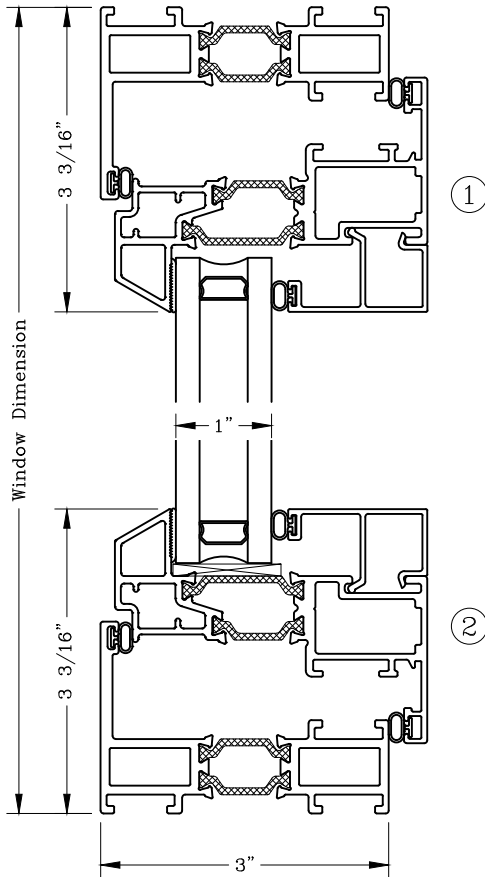
Projected – 3”
 Equal Sightline
 Inswing Projected



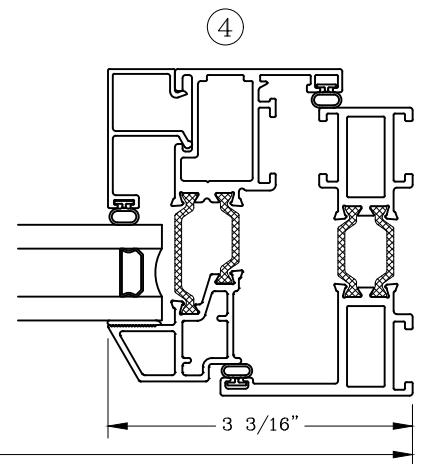
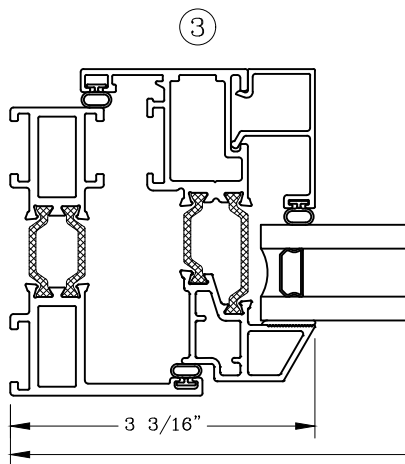
Series: GT6700 Manufacturing Code: GT6721B

Drawing 1/2 Scale – For Custom Size Drawing Contact Graham

Note: Sealant Not Shown On Details. Refer To General Installation Instructions.



ELEVATION



Note: Dashed Lines Represent Inswing Vented Units Solid Lines Represent
 Outswing Vented Units; Lines Converge At Hinge Side Of Vent

Projected – 3”

Narrow Sightline

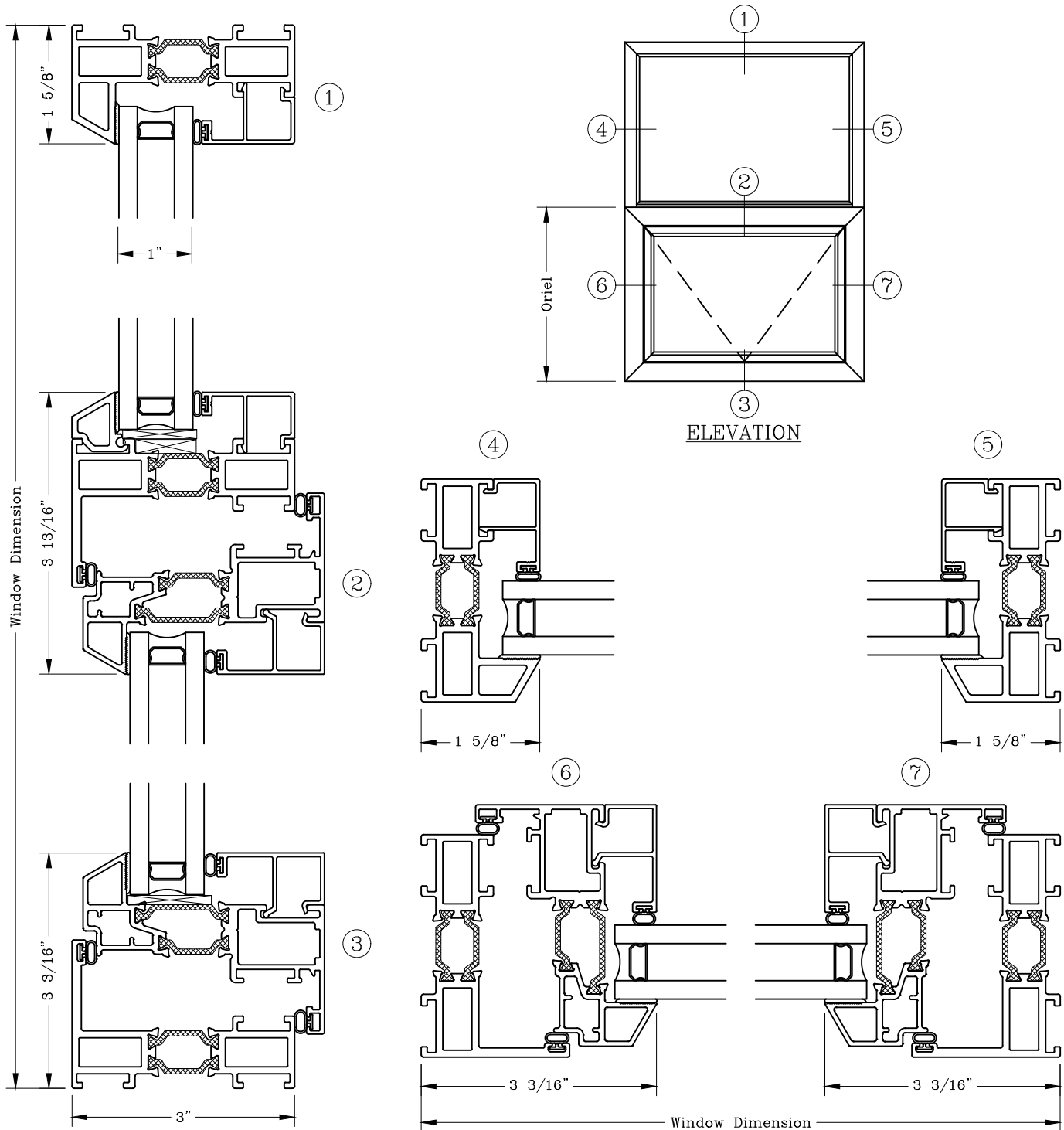
Fixed Over Inswing Projected

Series: GT6700

Manufacturing Code: GT6722B

Drawing 1/2 Scale – For Custom Size Drawing Contact Graham

Note: Sealant Not Shown On Details. Refer To General Installation Instructions.



Note: Dashed Lines Represent Inswing Vented Units Solid Lines Represent
Outswing Vented Units; Lines Converge At Hinge Side Of Vent

Projected – 3"

Equal Sightline

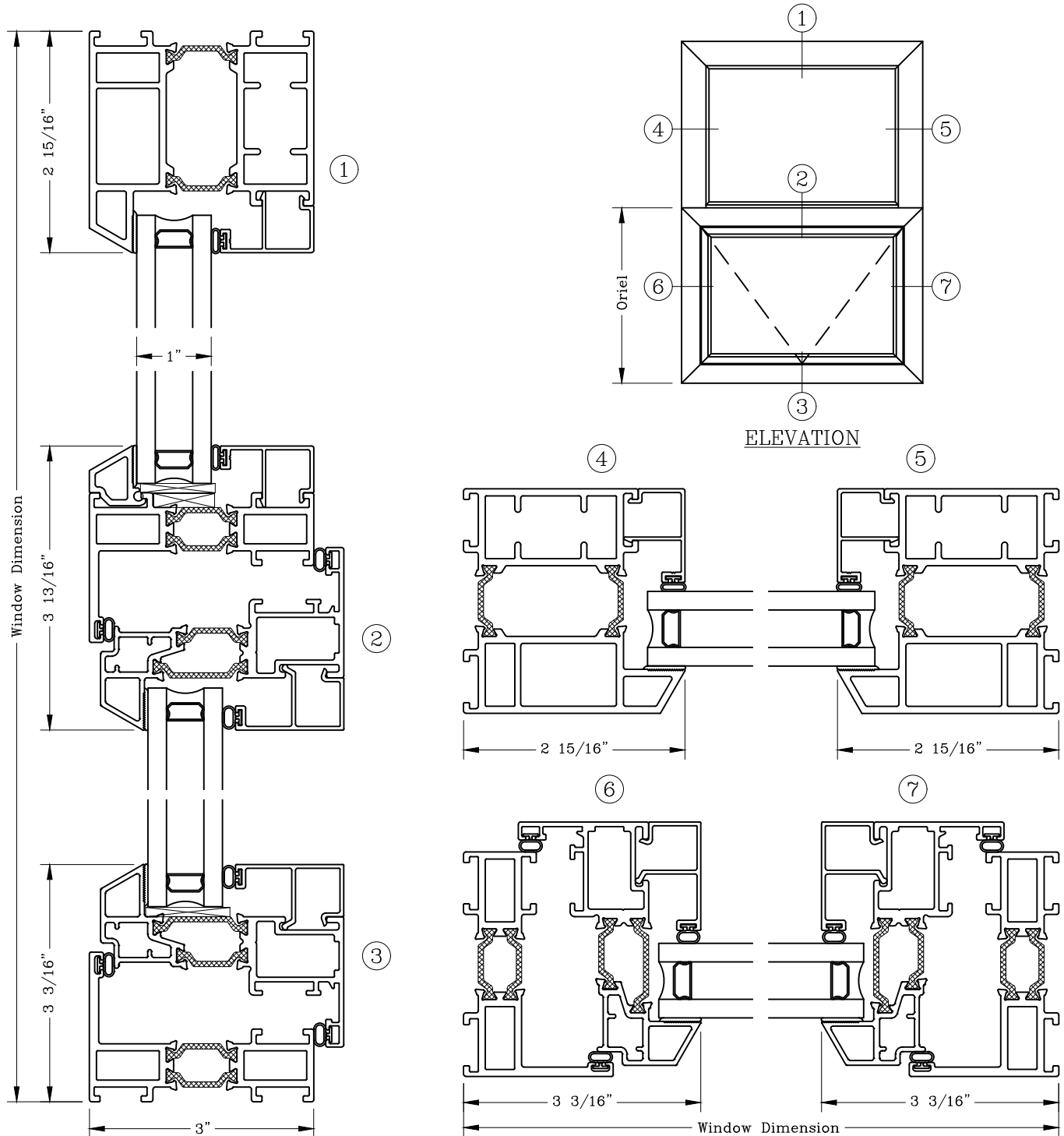
Fixed Over Inswing Projected

Series: GT6700

Manufacturing Code: GT6723B

Drawing 1/2 Scale – For Custom Size Drawing Contact Graham

Note: Sealant Not Shown On Details. Refer To General Installation Instructions.



Note: Dashed Lines Represent Inswing Vented Units Solid Lines Represent Outswing Vented Units; Lines Converge At Hinge Side Of Vent

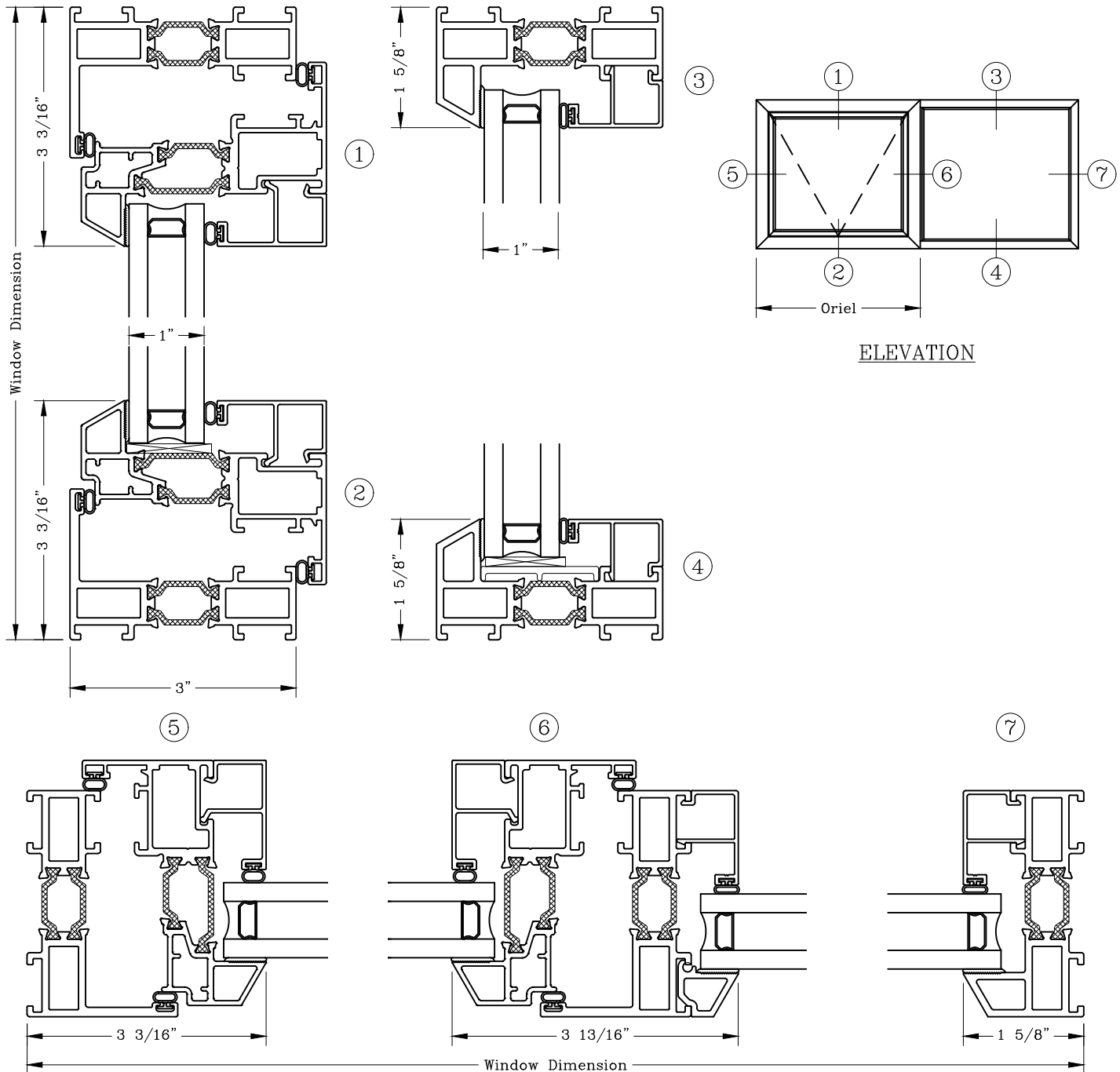
Projected – 3”
Narrow Sightline
Inswing Projected/Fixed



Series: GT6700 Manufacturing Code: GT6724B

Drawing 1/2 Scale – For Custom Size Drawing Contact Graham

Note: Sealant Not Shown On Details. Refer To General Installation Instructions.



Note: Dashed Lines Represent Inswing Vented Units Solid Lines Represent
Outswing Vented Units; Lines Converge At Hinge Side Of Vent

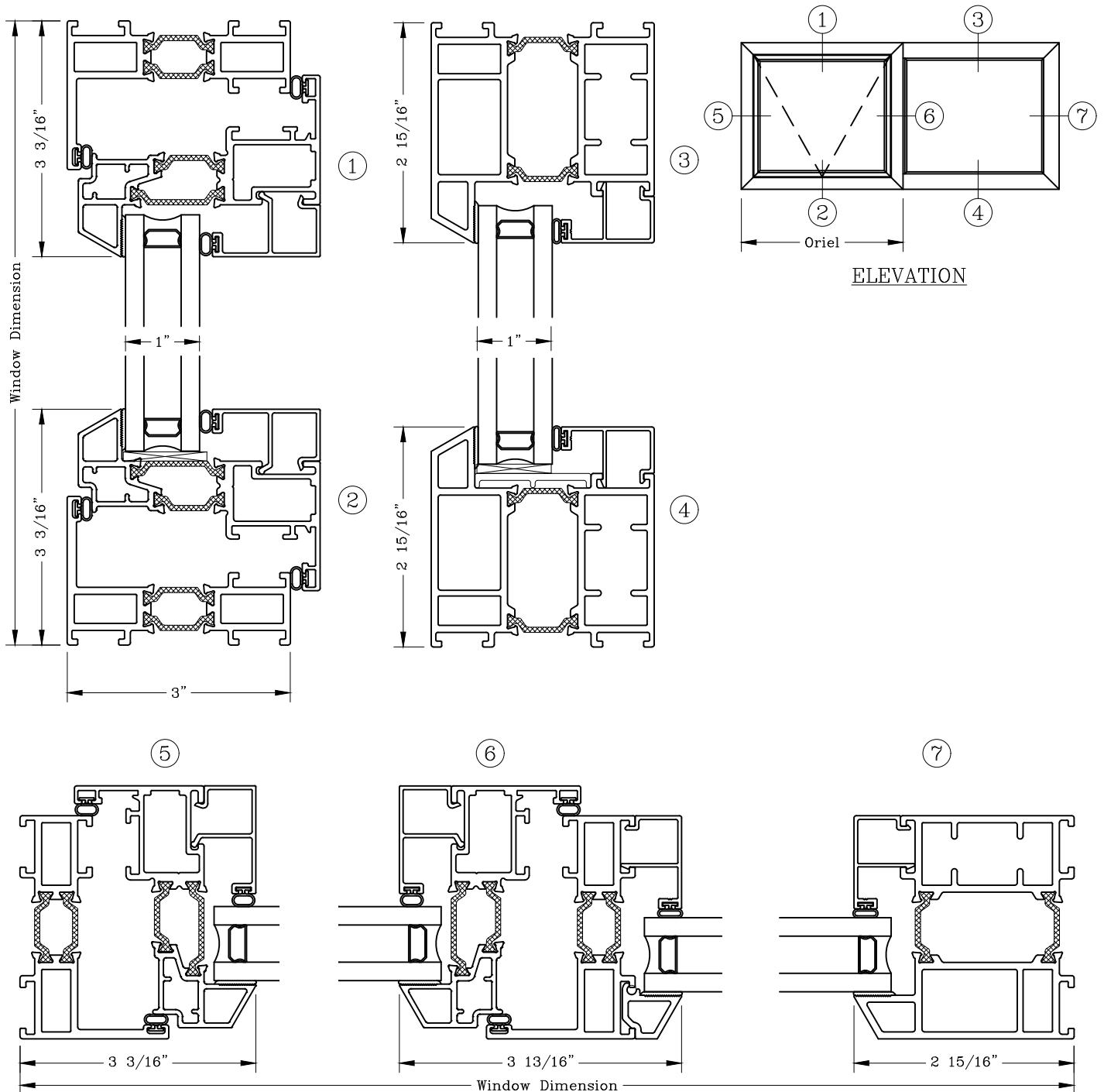
Projected – 3”
 Equal Sightline
 Inswing Projected/Fixed



Series: GT6700 Manufacturing Code: GT6725B

Drawing 1/2 Scale – For Custom Size Drawing Contact Graham

Note: Sealant Not Shown On Details. Refer To General Installation Instructions.



Note: Dashed Lines Represent Inswing Vented Units Solid Lines Represent
 Outswing Vented Units; Lines Converge At Hinge Side Of Vent

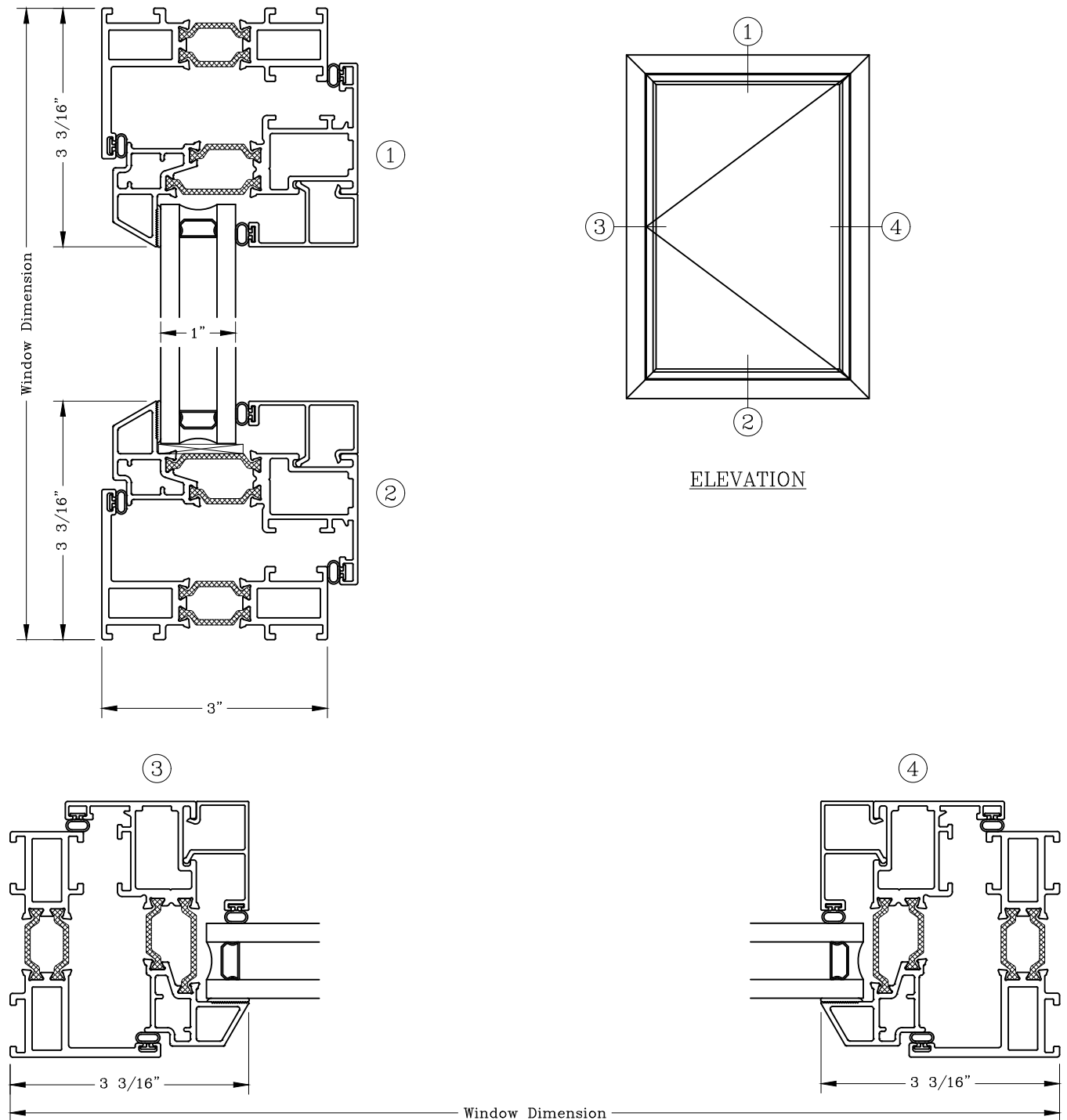
Casement – 3”
 Equal Sightline
 Inswing



Series: GT6700 Manufacturing Code: GT6728B

Drawing 1/2 Scale – For Custom Size Drawing Contact Graham

Note: Sealant Not Shown On Details. Refer To General Installation Instructions.



Note: Dashed Lines Represent Inswing Vented Units Solid Lines Represent
 Outswing Vented Units; Lines Converge At Hinge Side Of Vent

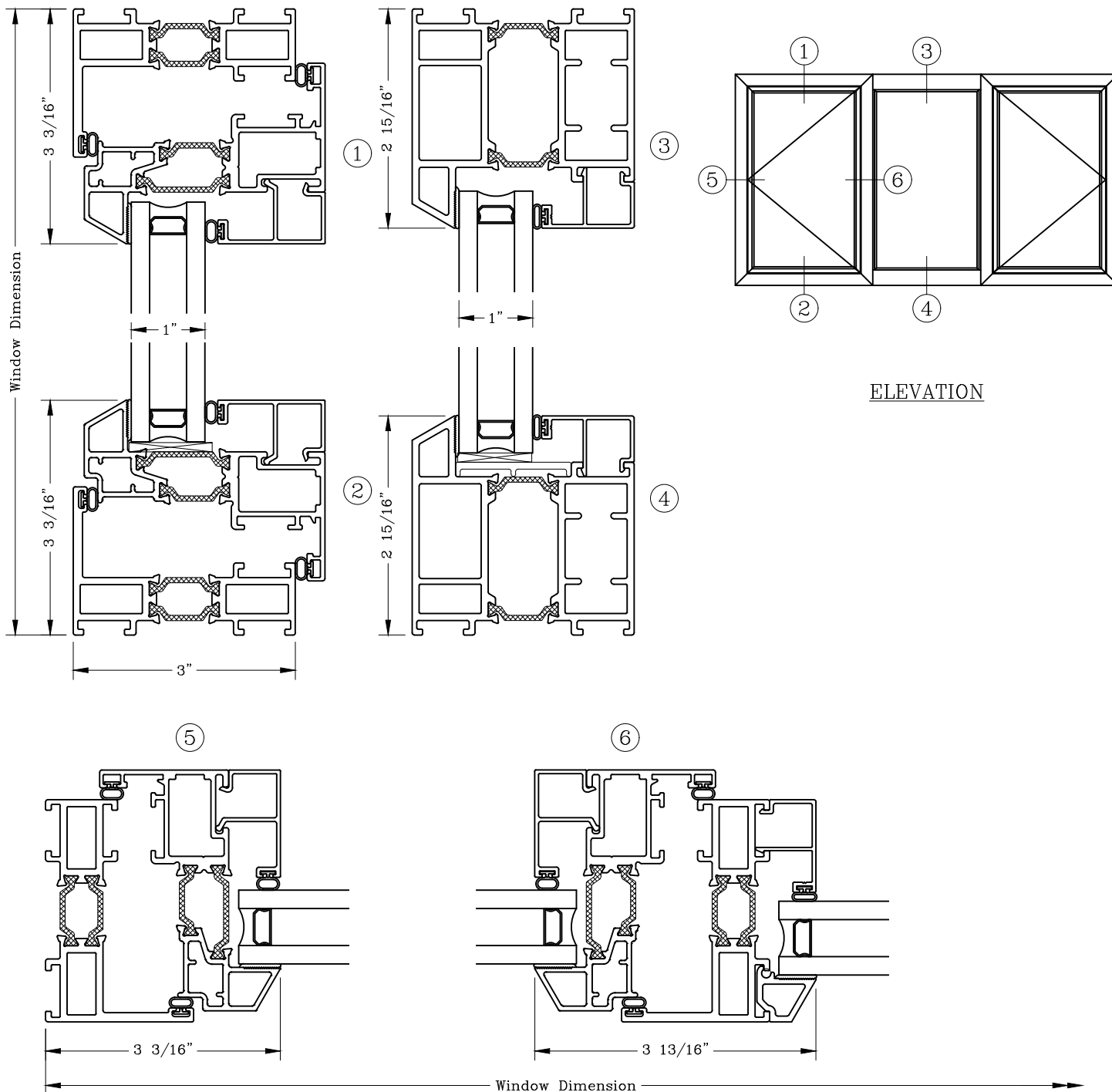
Casement – 3”
 Equal Sightline
 Inswing/Fixed/Inswing



Series: GT6700 Manufacturing Code: GT6729B

Drawing 1/2 Scale – For Custom Size Drawing Contact Graham

Note: Sealant Not Shown On Details. Refer To General Installation Instructions.



Note: Dashed Lines Represent Inswing Vented Units Solid Lines Represent
 Outswing Vented Units; Lines Converge At Hinge Side Of Vent

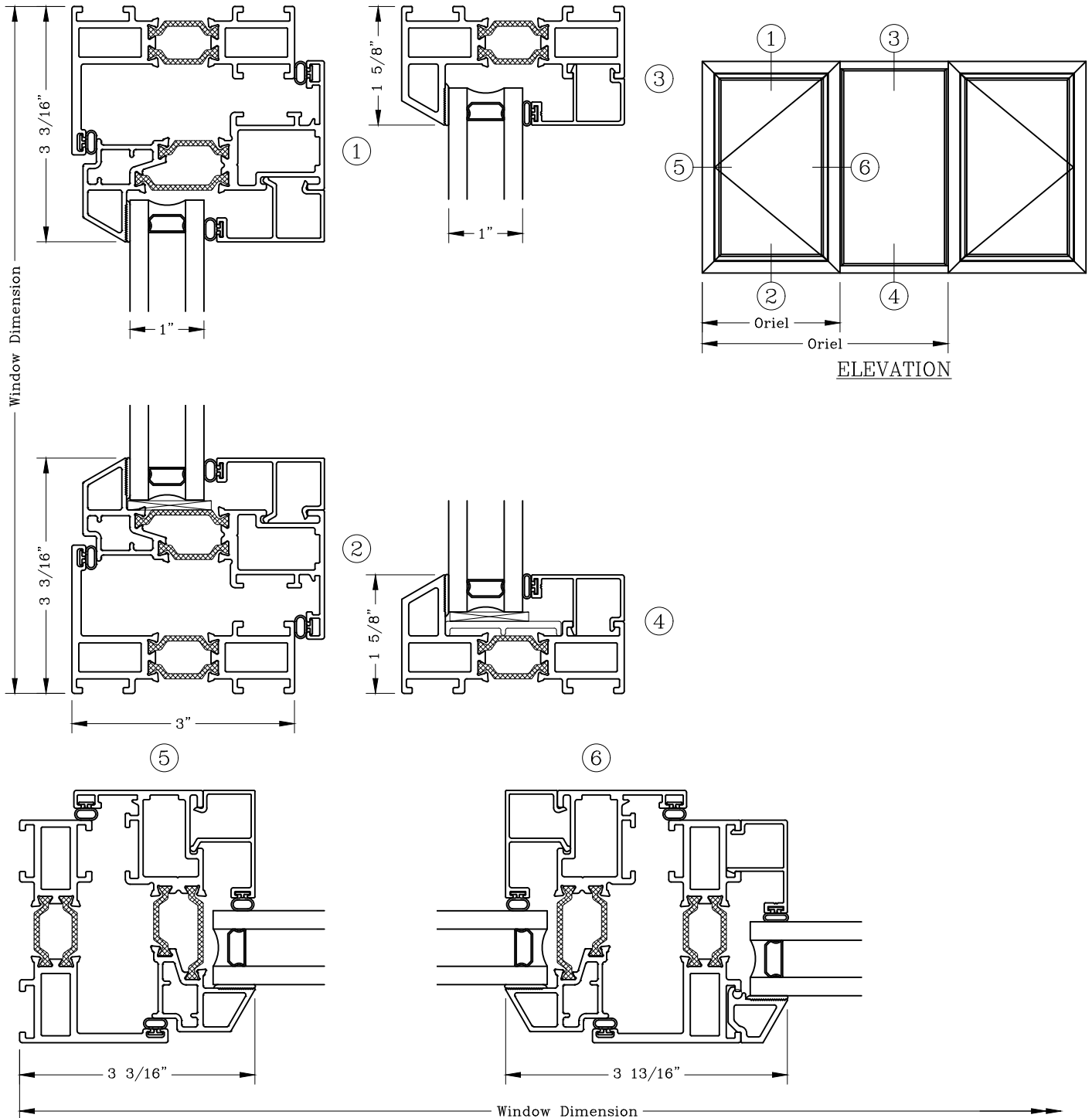
Casement – 3”
Narrow Sightline
Inswing/Fixed/Inswing



Series: GT6700 Manufacturing Code: GT6730B

Drawing 1/2 Scale – For Custom Size Drawing Contact Graham

Note: Sealant Not Shown On Details. Refer To General Installation Instructions.



Note: Dashed Lines Represent Inswing Vented Units Solid Lines Represent
Outswing Vented Units; Lines Converge At Hinge Side Of Vent

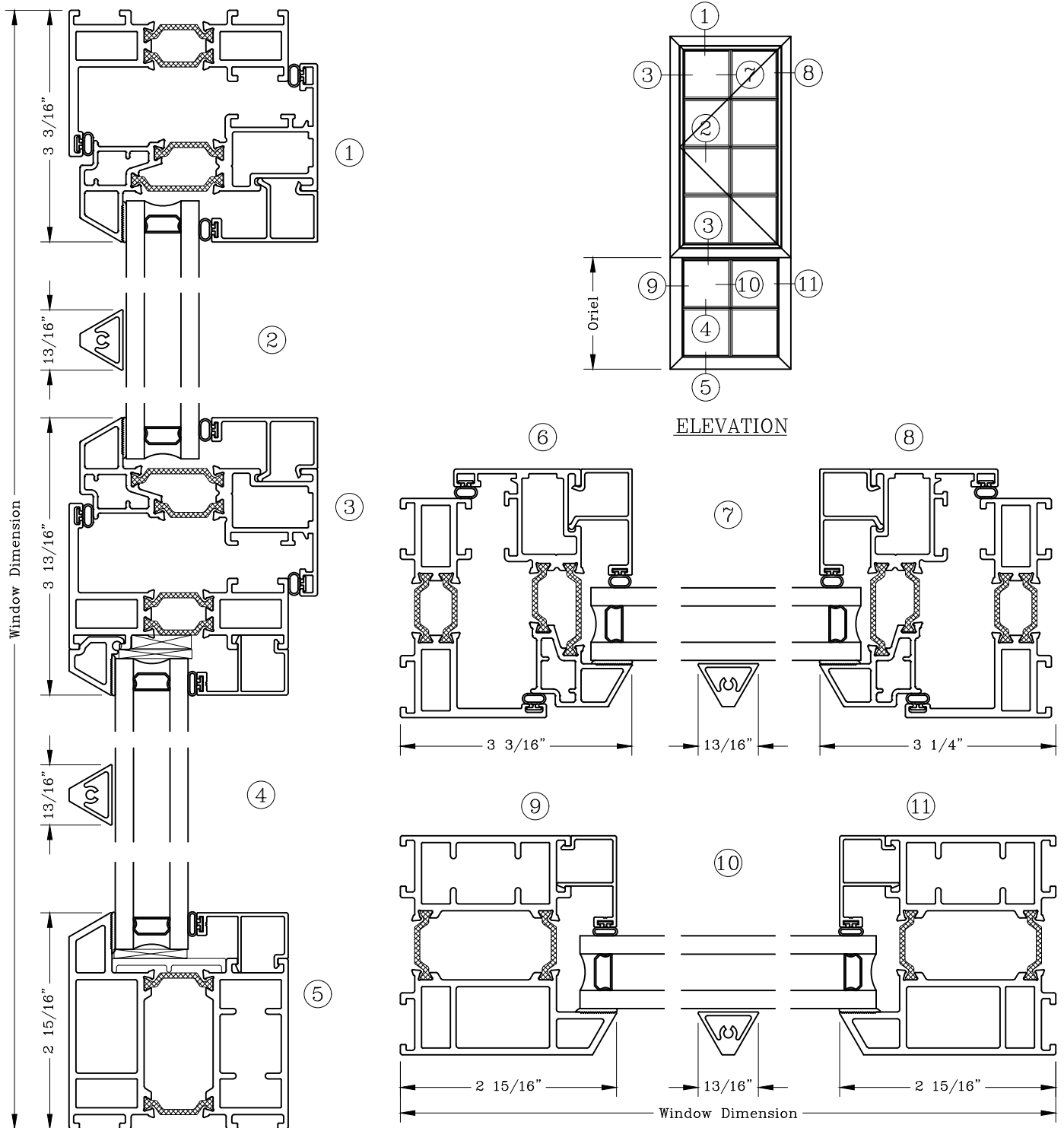
Casement – 3”
 Equal Sightline
 Inswing Over Fixed



Series: GT6700 Manufacturing Code: GT6731B

Drawing 1/2 Scale – For Custom Size Drawing Contact Graham

Note: Sealant Not Shown On Details. Refer To General Installation Instructions.



Note: Dashed Lines Represent Inswing Vented Units Solid Lines Represent
 Outswing Vented Units; Lines Converge At Hinge Side Of Vent

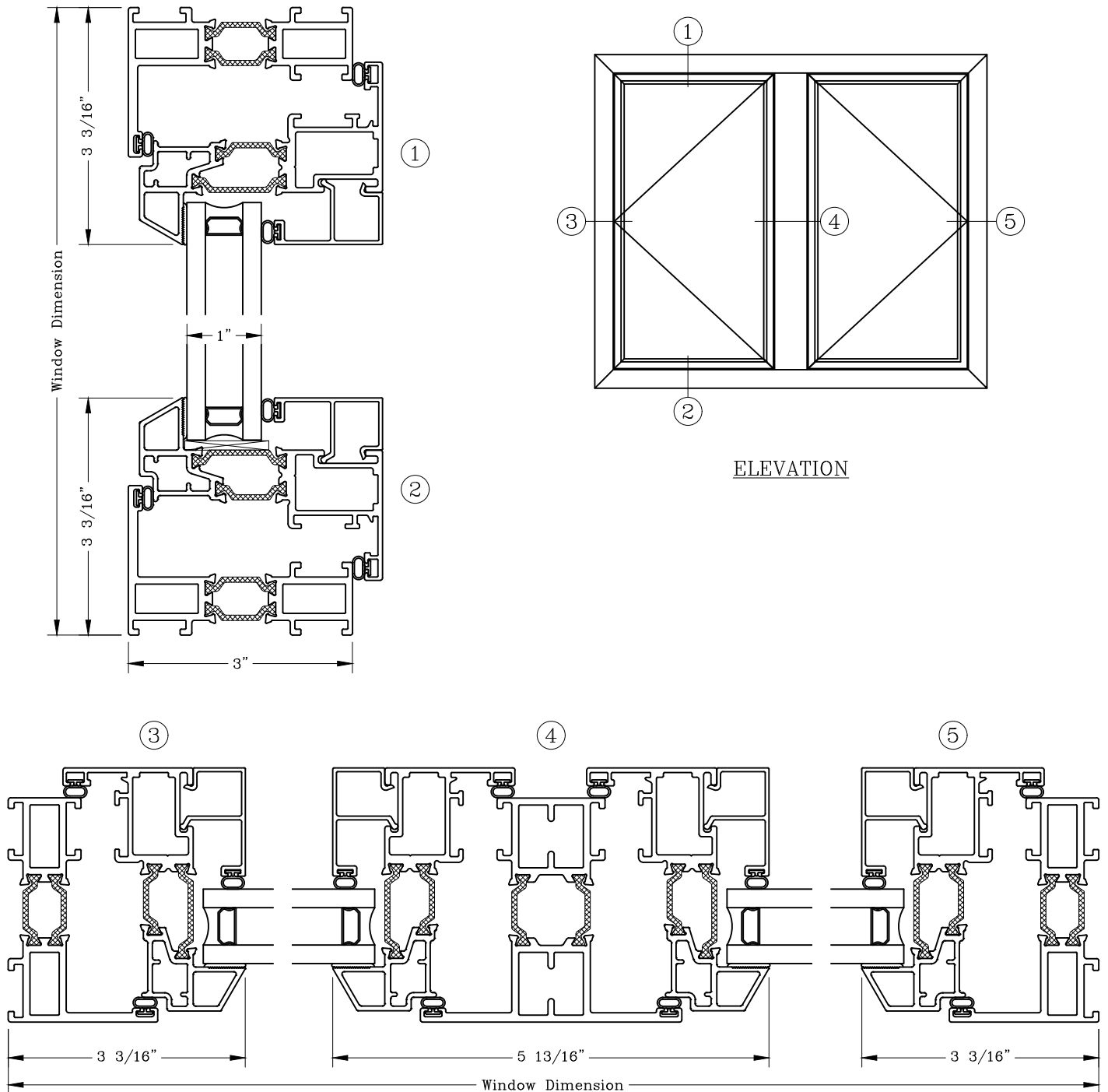
Casement – 3” Inswing Twin Casement



Series: GT6700 Manufacturing Code: GT6732B

Drawing 1/2 Scale – For Custom Size Drawing Contact Graham

Note: Sealant Not Shown On Details. Refer To General Installation Instructions.



Note: Dashed Lines Represent Inswing Vented Units Solid Lines Represent
Outswing Vented Units; Lines Converge At Hinge Side Of Vent

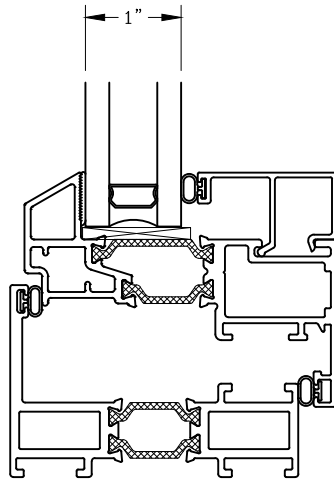
Exterior Profile Options – 3”



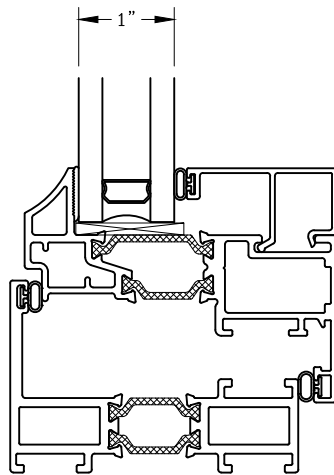
Series: GT6700 Manufacturing Code: GT6733B

Drawing 1/2 Scale – For Custom Size Drawing Contact Graham

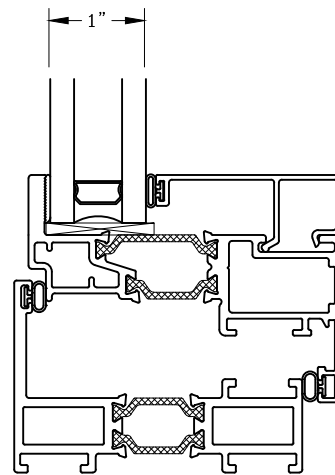
Note: Sealant Not Shown On Details. Refer To General Installation Instructions.



GT6700B
Beveled



GT6700C
Concave



GT6700F
Flat

Note: Dashed Lines Represent Inswing Vented Units Solid Lines Represent
Outswing Vented Units; Lines Converge At Hinge Side Of Vent

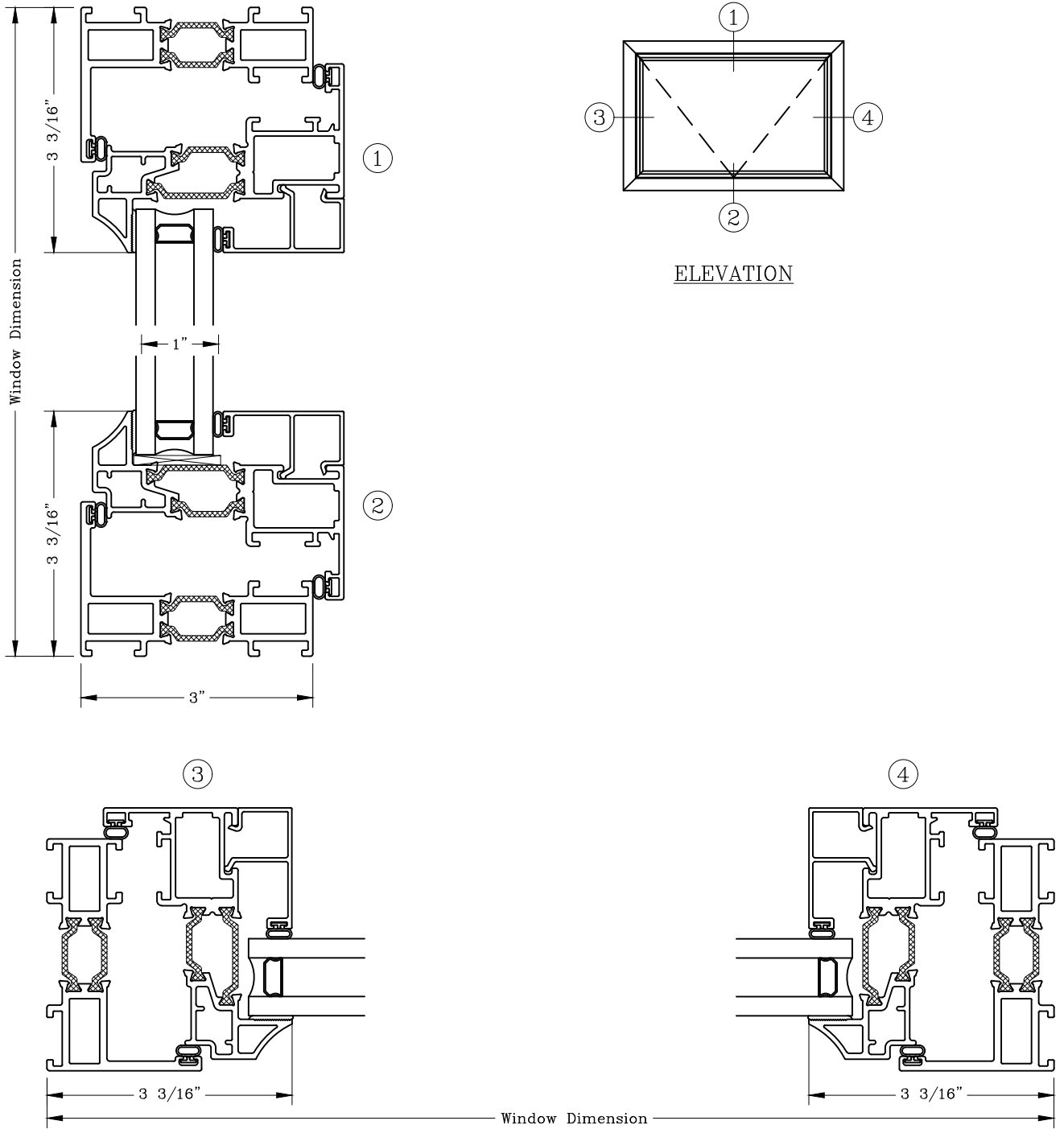
Projected – 3”
 Equal Sightline
 Inswing Projected



Series: GT6700 Manufacturing Code: GT6721C

Drawing 1/2 Scale – For Custom Size Drawing Contact Graham

Note: Sealant Not Shown On Details. Refer To General Installation Instructions.



Note: Dashed Lines Represent Inswing Vented Units Solid Lines Represent
 Outswing Vented Units; Lines Converge At Hinge Side Of Vent

Projected – 3”
Narrow Sightline



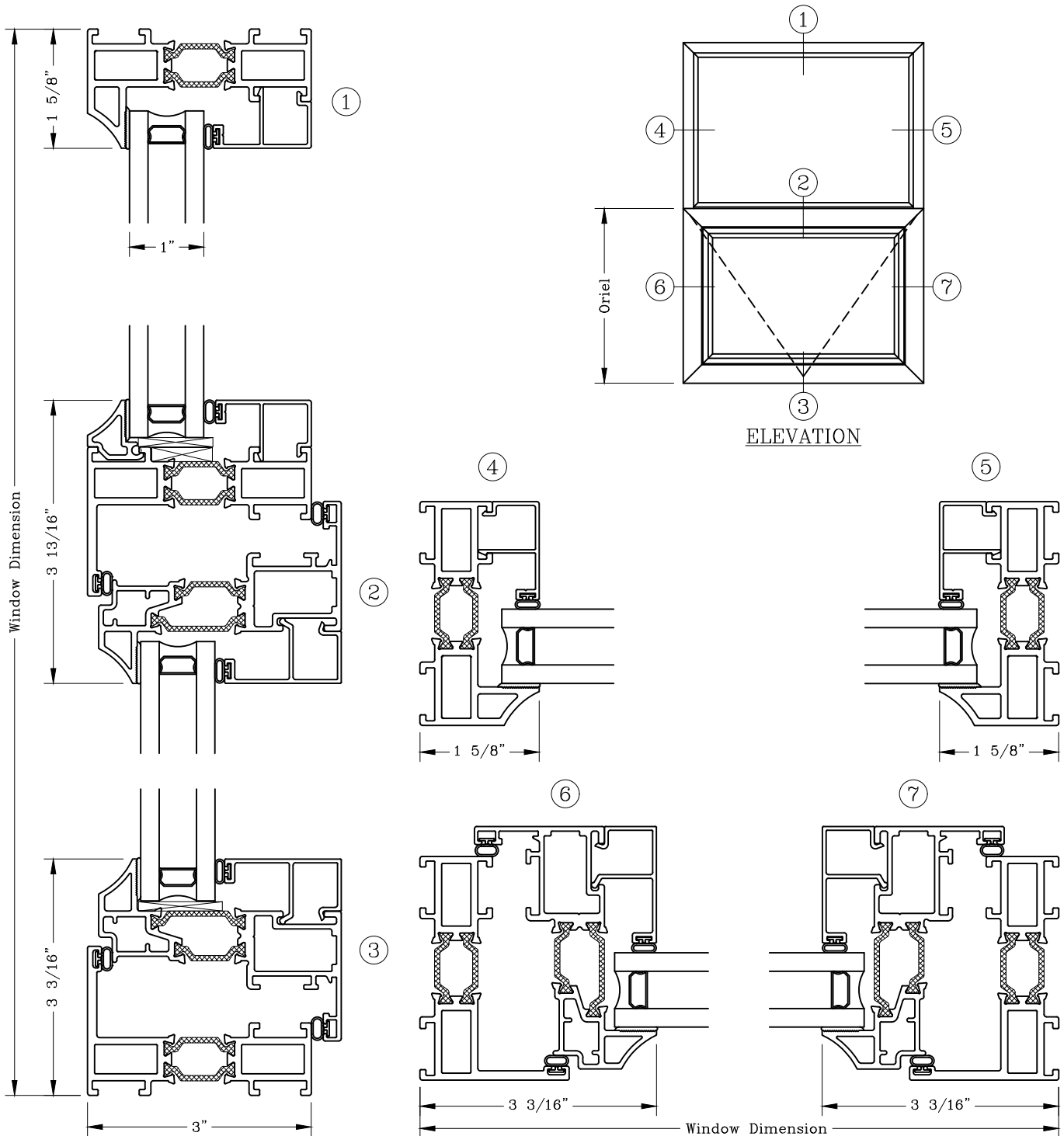
Fixed Over Inswing Projected

Series: GT6700

Manufacturing Code: GT6722C

Drawing 1/2 Scale – For Custom Size Drawing Contact Graham

Note: Sealant Not Shown On Details. Refer To General Installation Instructions.



Note: Dashed Lines Represent Inswing Vented Units Solid Lines Represent
Outswing Vented Units; Lines Converge At Hinge Side Of Vent

Projected – 3”

Equal Sightline

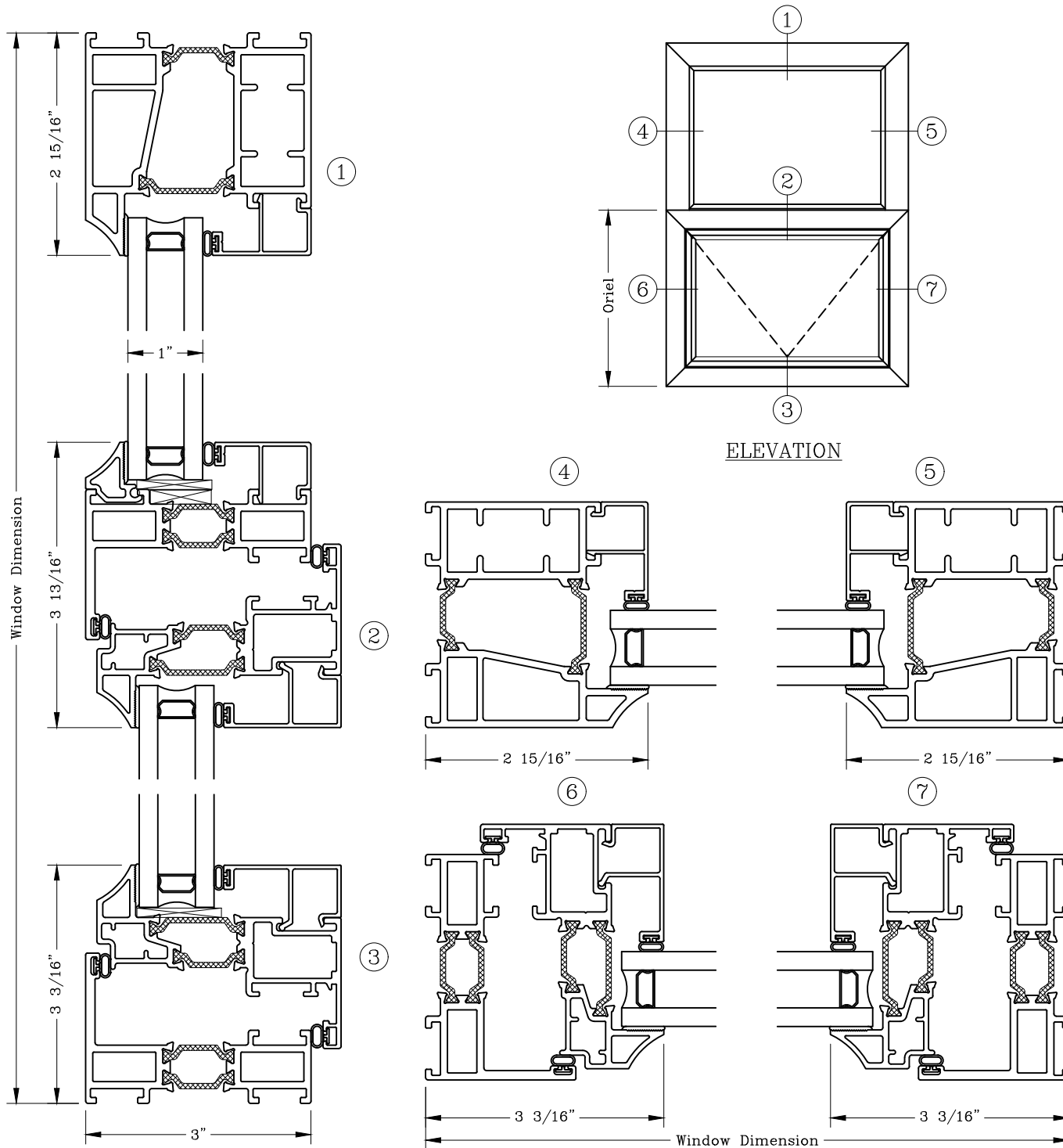
Fixed Over Inswing Projected

Series: GT6700

Manufacturing Code: GT6723C

Drawing 1/2 Scale – For Custom Size Drawing Contact Graham

Note: Sealant Not Shown On Details. Refer To General Installation Instructions.



Note: Dashed Lines Represent Inswing Vented Units Solid Lines Represent Outswing Vented Units; Lines Converge At Hinge Side Of Vent

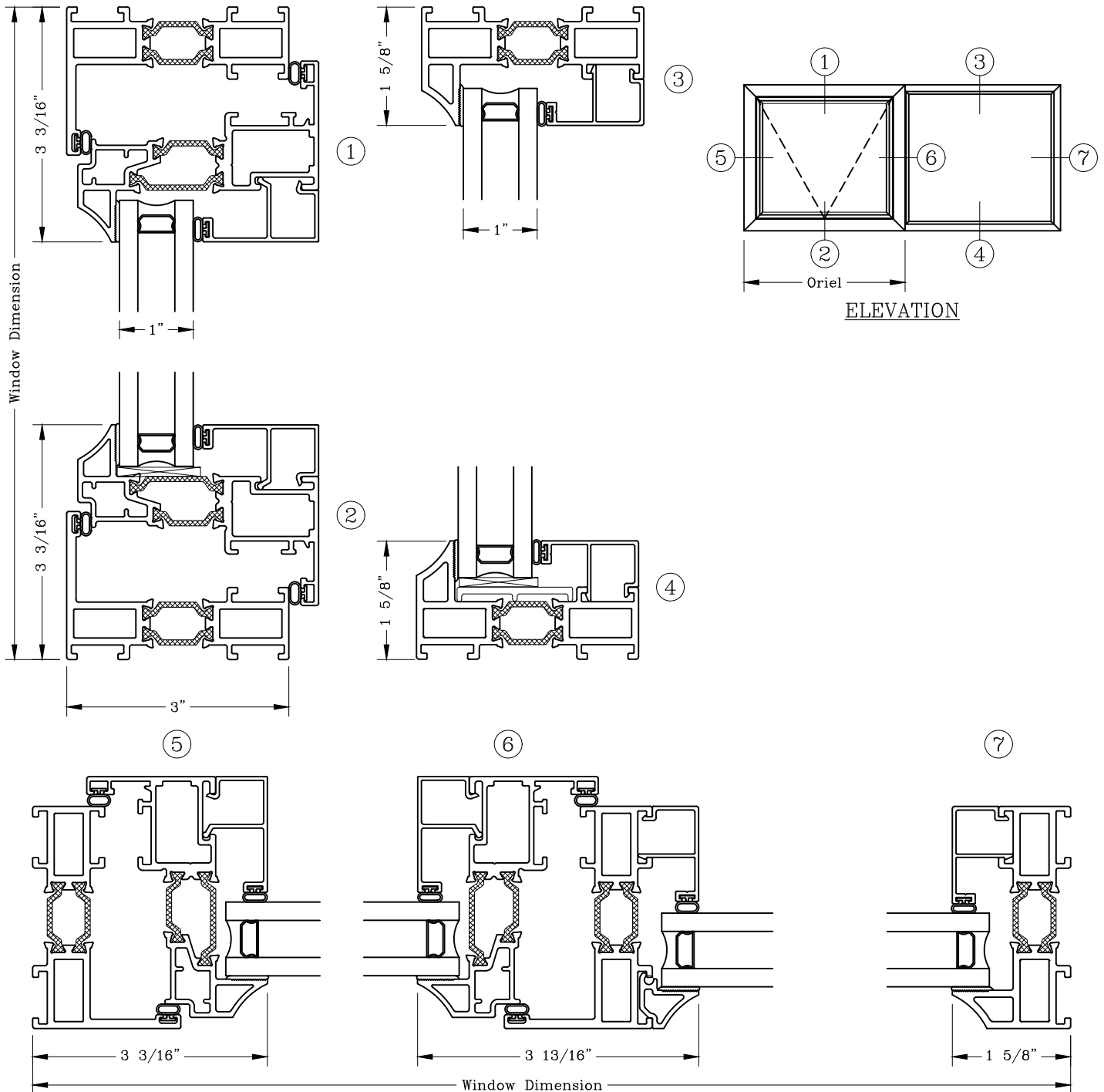
Projected – 3”
Narrow Sightline
Inswing Projected/Fixed



Series: GT6700 Manufacturing Code: GT6724C

Drawing 1/2 Scale – For Custom Size Drawing Contact Graham

Note: Sealant Not Shown On Details. Refer To General Installation Instructions.



Note: Dashed Lines Represent Inswing Vented Units Solid Lines Represent
Outswing Vented Units; Lines Converge At Hinge Side Of Vent

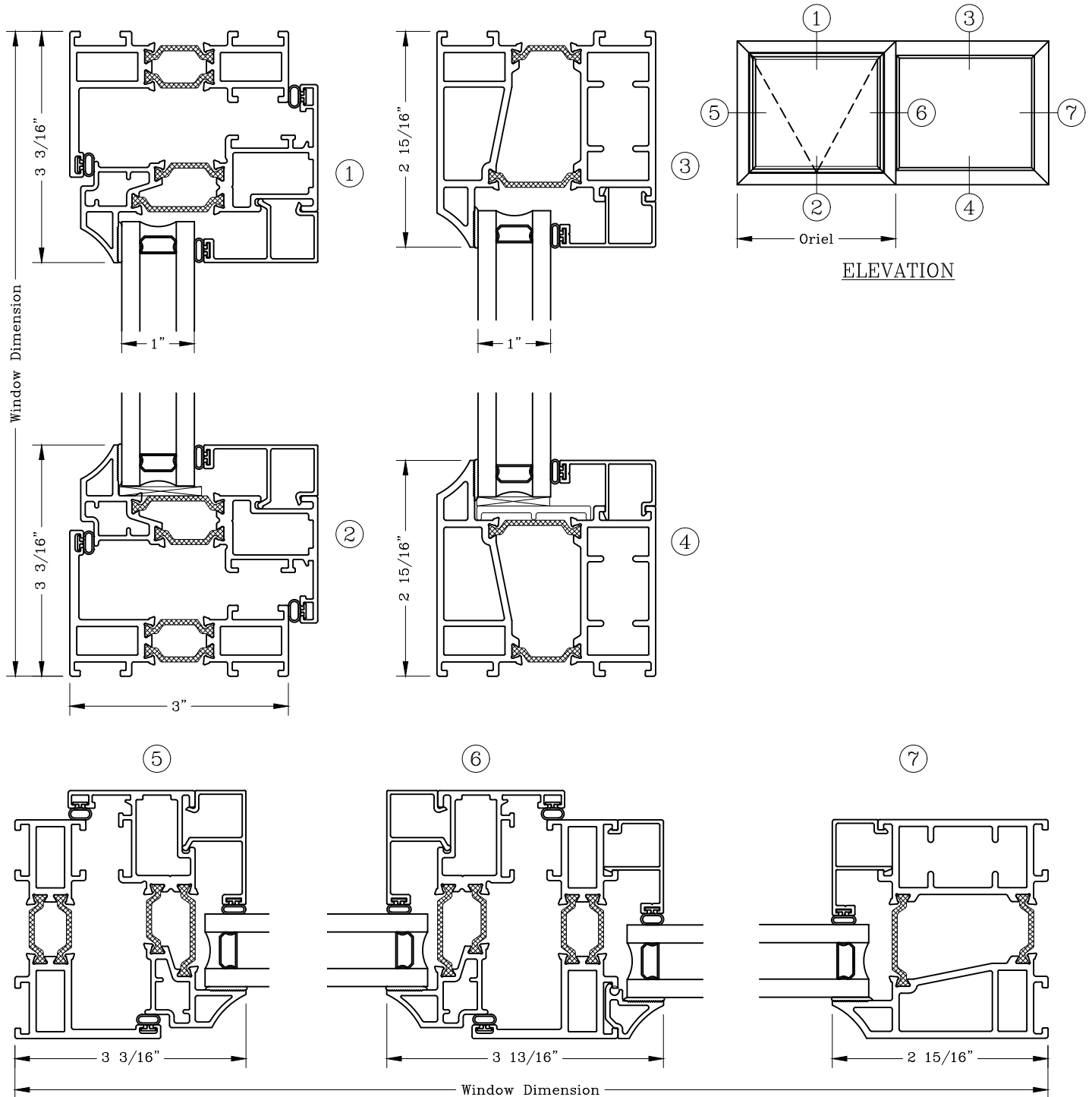
Projected – 3”
 Equal Sightline
 Inswing Projected/Fixed



Series: GT6700 Manufacturing Code: GT6725C

Drawing 1/2 Scale – For Custom Size Drawing Contact Graham

Note: Sealant Not Shown On Details. Refer To General Installation Instructions.



Note: Dashed Lines Represent Inswing Vented Units Solid Lines Represent
 Outswing Vented Units; Lines Converge At Hinge Side Of Vent

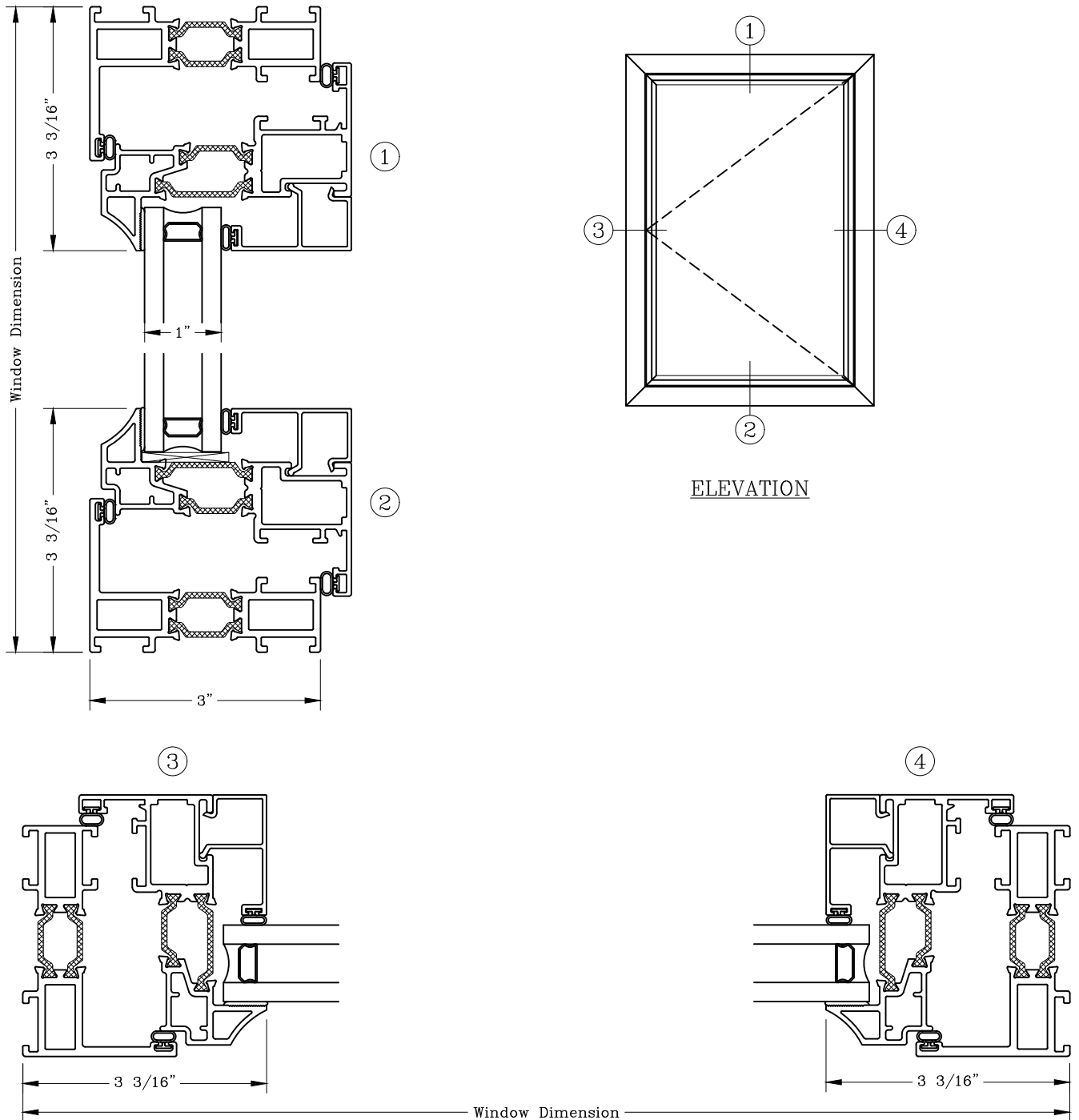
Casement – 3”
 Equal Sightline
 Inswing



Series: GT6700 Manufacturing Code: GT6728C

Drawing 1/2 Scale – For Custom Size Drawing Contact Graham

Note: Sealant Not Shown On Details. Refer To General Installation Instructions.



Note: Dashed Lines Represent Inswing Vented Units Solid Lines Represent
 Outswing Vented Units; Lines Converge At Hinge Side Of Vent

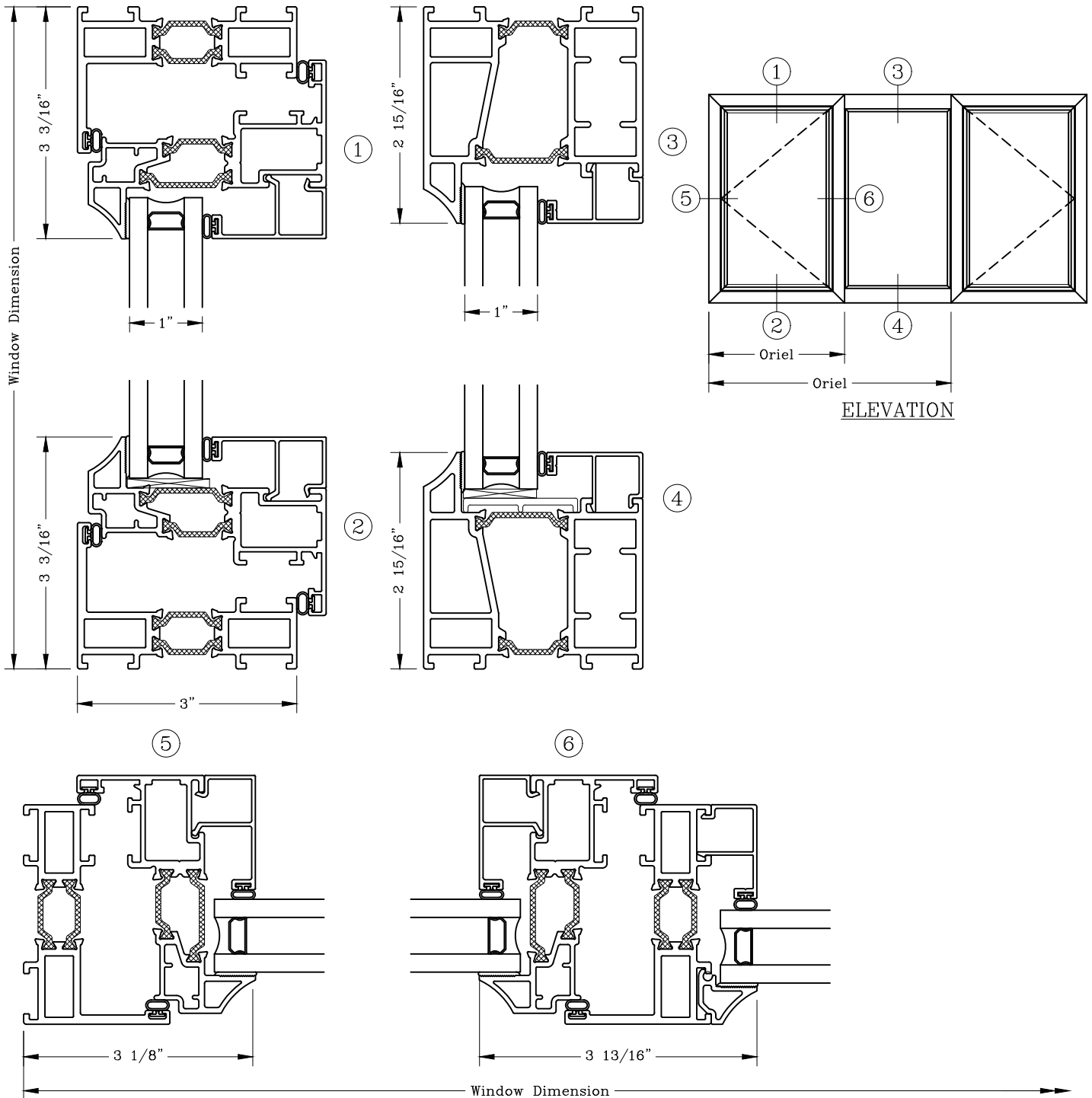
Casement – 3”
 Equal Sightline
 Inswing/Fixed/Inswing



Series: GT6700 Manufacturing Code: GT6729C

Drawing 1/2 Scale – For Custom Size Drawing Contact Graham

Note: Sealant Not Shown On Details. Refer To General Installation Instructions.



Note: Dashed Lines Represent Inswing Vented Units Solid Lines Represent
 Outswing Vented Units; Lines Converge At Hinge Side Of Vent

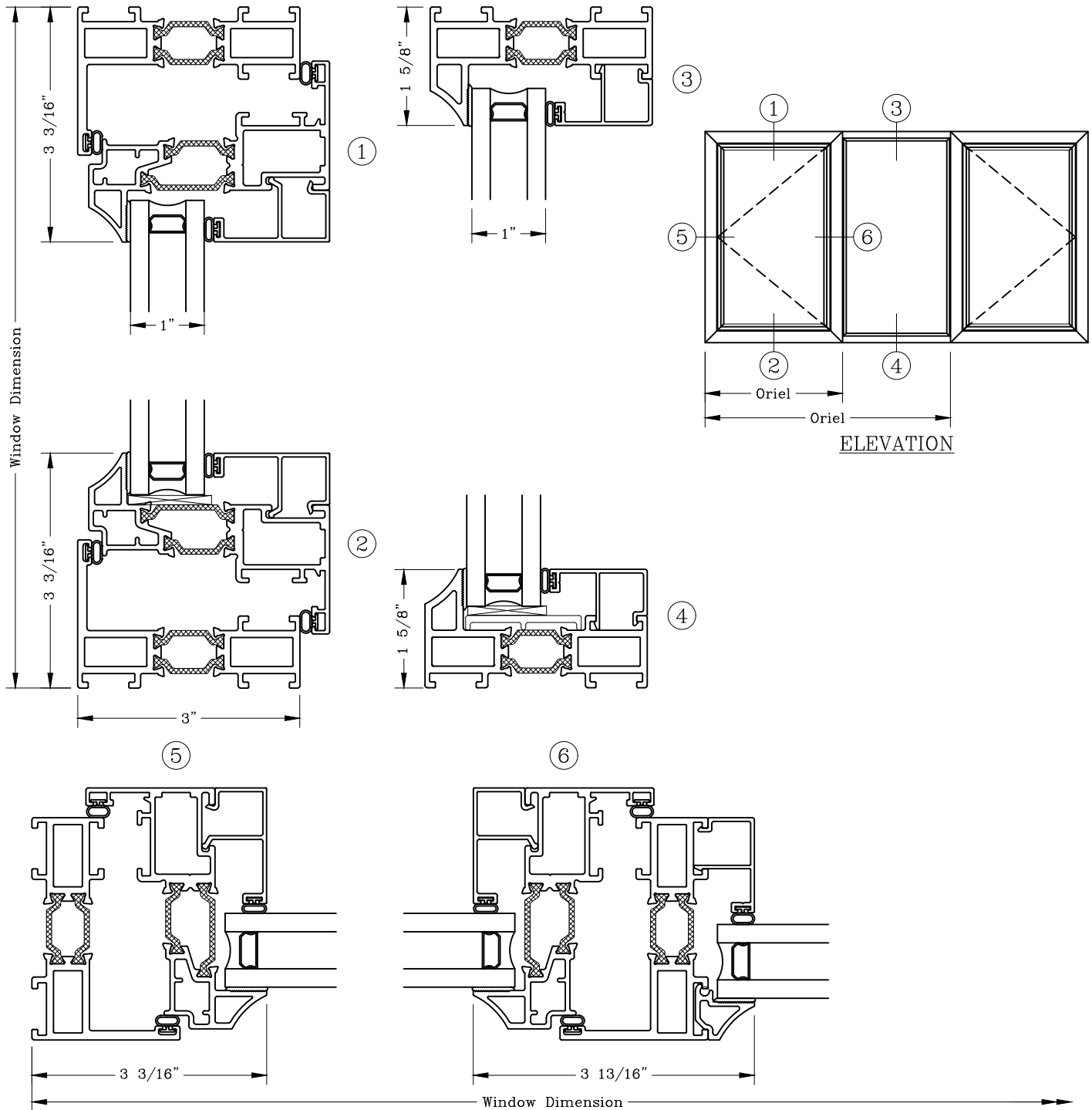
Casement – 3”
 Narrow Sightline
 Inswing/Fixed/Inswing



Series: GT6700 Manufacturing Code: GT6730C

Drawing 1/2 Scale – For Custom Size Drawing Contact Graham

Note: Sealant Not Shown On Details. Refer To General Installation Instructions.



Note: Dashed Lines Represent Inswing Vented Units Solid Lines Represent Outswing Vented Units; Lines Converge At Hinge Side Of Vent

Casement - 3"

Equal Sightline

Inswing Over Fixed

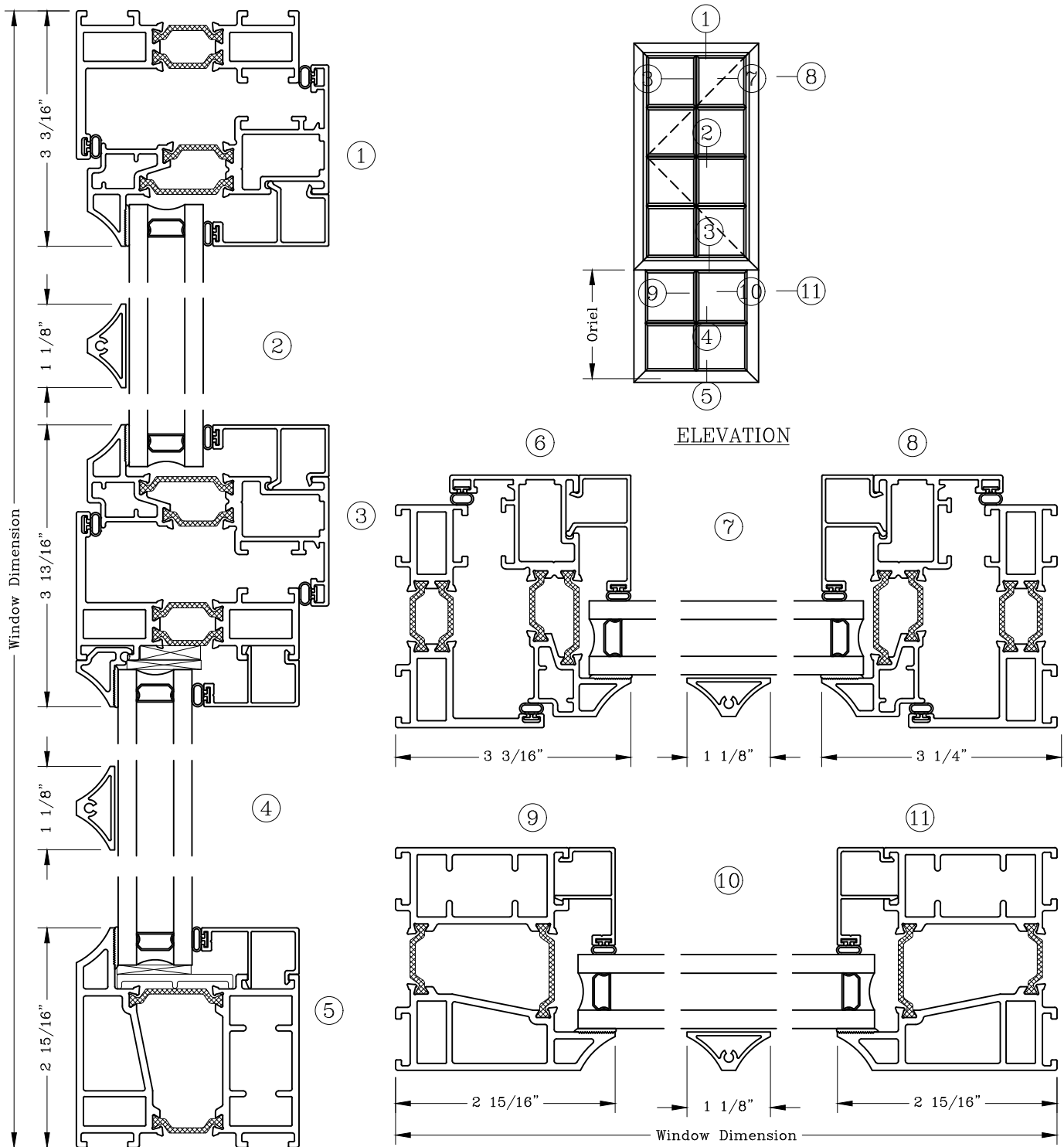
Series: GT6700

Manufacturing Code: GT6731C



Drawing 1/2 Scale - For Custom Size Drawing Contact Graham

Note: Sealant Not Shown On Details. Refer To General Installation Instructions.



Note: Dashed Lines Represent Inswing Vented Units Solid Lines Represent
Outswing Vented Units; Lines Converge At Hinge Side Of Vent

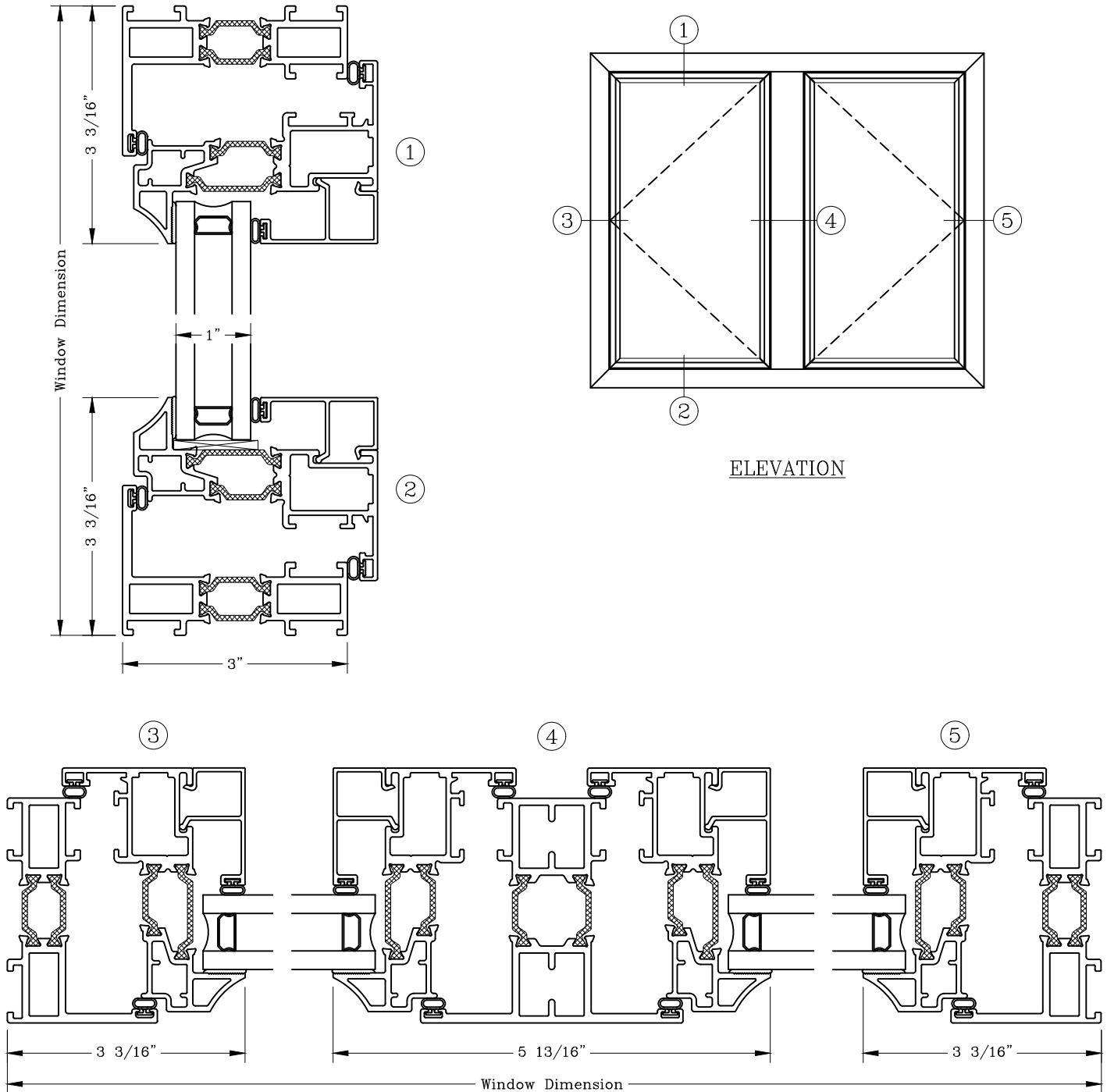
Casement – 3” Inswing Twin Casement



Series: GT6700 Manufacturing Code: GT6732C

Drawing 1/2 Scale – For Custom Size Drawing Contact Graham

Note: Sealant Not Shown On Details. Refer To General Installation Instructions.



Note: Dashed Lines Represent Inswing Vented Units Solid Lines Represent
Outswing Vented Units; Lines Converge At Hinge Side Of Vent

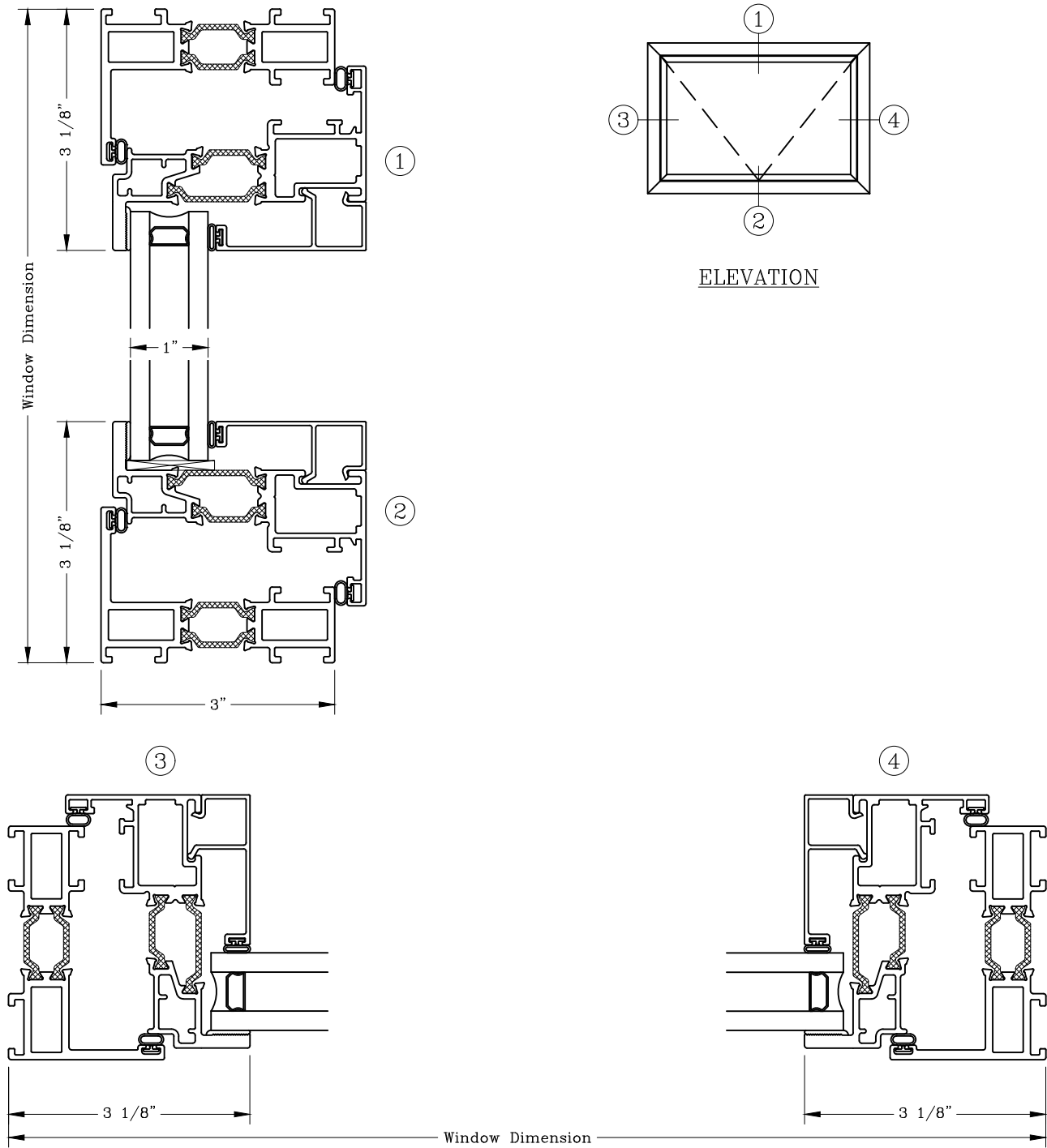
Projected – 3”
 Equal Sightline
 Inswing Projected



Series: GT6700 Manufacturing Code: GT6721F

Drawing 1/2 Scale – For Custom Size Drawing Contact Graham

Note: Sealant Not Shown On Details. Refer To General Installation Instructions.



Note: Dashed Lines Represent Inswing Vented Units Solid Lines Represent Outswing Vented Units; Lines Converge At Hinge Side Of Vent

Projected – 3”

Narrow Sightline

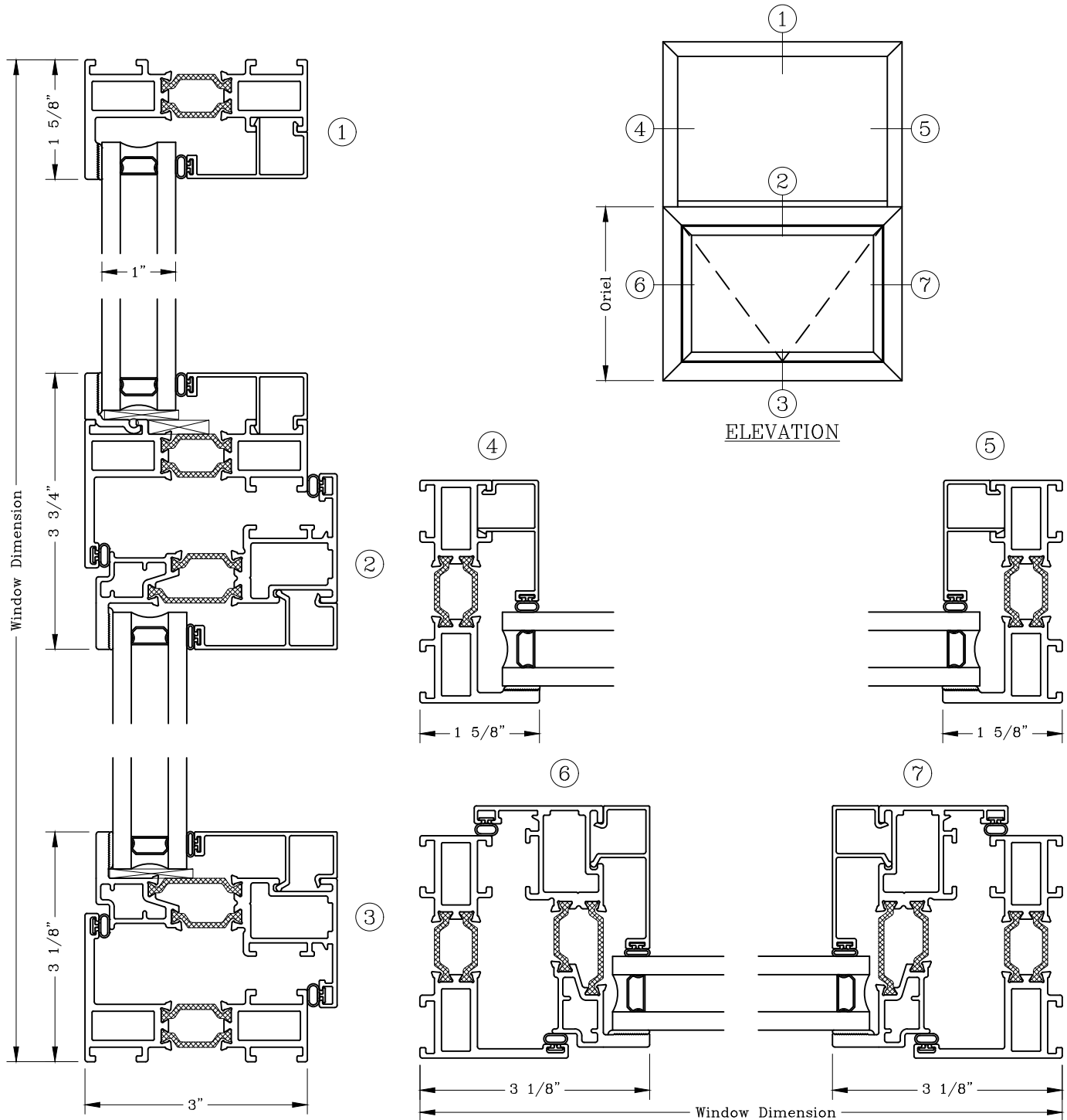
Fixed Over Inswing Projected

Series: GT6700

Manufacturing Code: GT6722F

Drawing 1/2 Scale – For Custom Size Drawing Contact Graham

Note: Sealant Not Shown On Details. Refer To General Installation Instructions.



Note: Dashed Lines Represent Inswing Vented Units Solid Lines Represent
Outswing Vented Units; Lines Converge At Hinge Side Of Vent

Projected - 3"

Equal Sightline

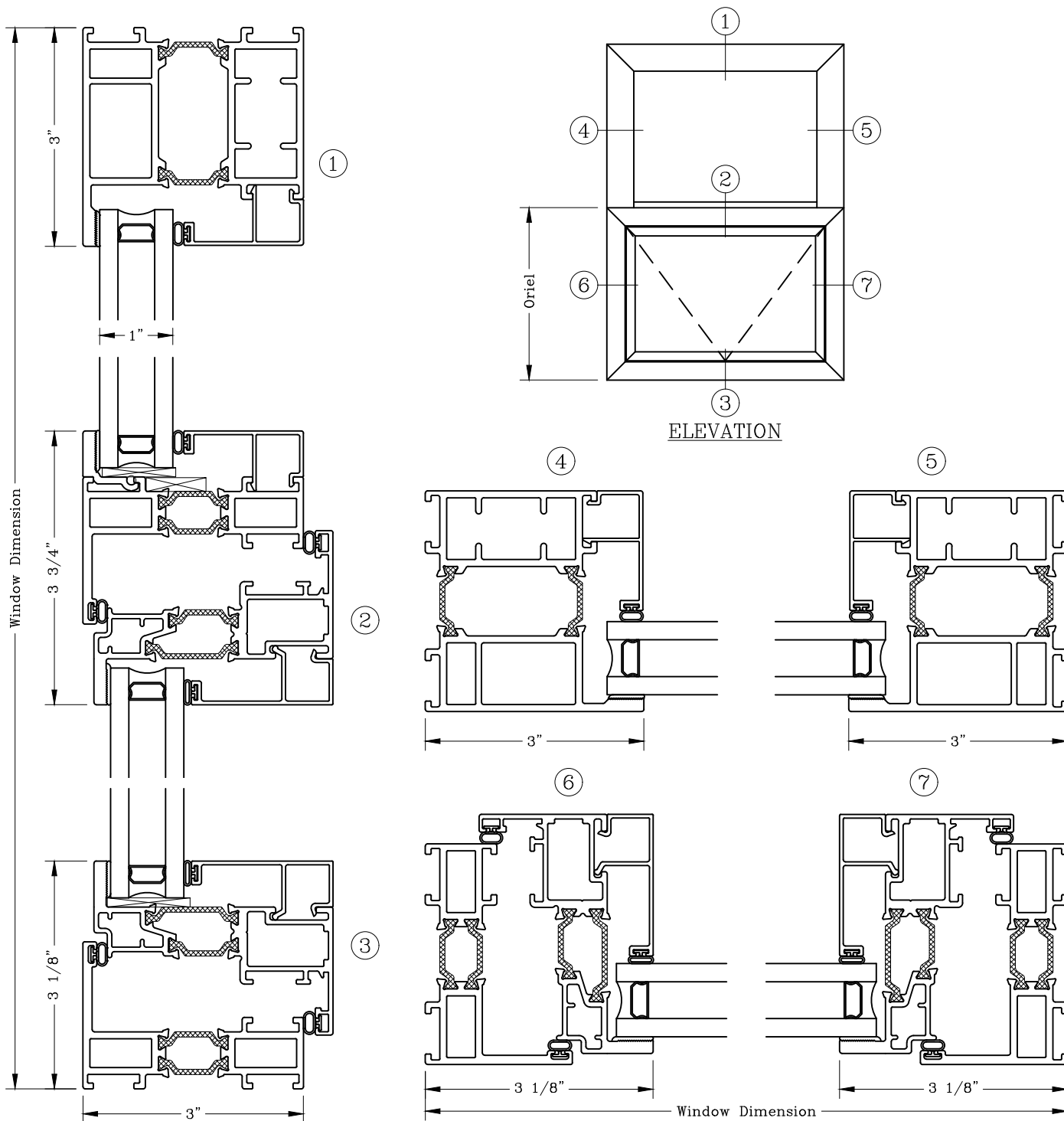
Fixed Over Inswing Projected

Series: GT6700

Manufacturing Code: GT6723F

Drawing 1/2 Scale - For Custom Size Drawing Contact Graham

Note: Sealant Not Shown On Details. Refer To General Installation Instructions.



Note: Dashed Lines Represent Inswing Vented Units Solid Lines Represent
Outswing Vented Units; Lines Converge At Hinge Side Of Vent

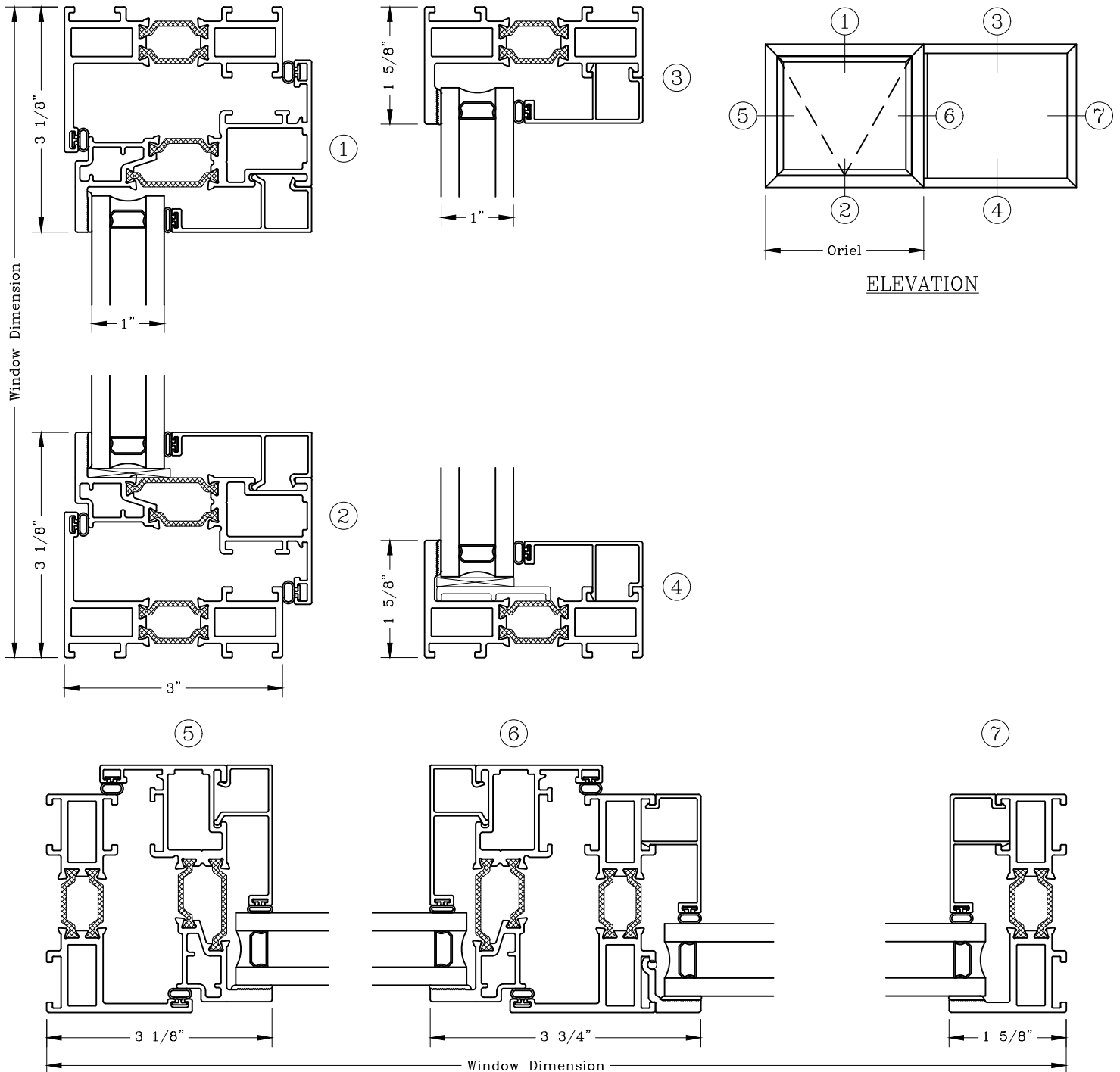
Projected – 3”
Narrow Sightline
Inswing Projected/Fixed



Series: GT6700 Manufacturing Code: GT6724F

Drawing 1/2 Scale – For Custom Size Drawing Contact Graham

Note: Sealant Not Shown On Details. Refer To General Installation Instructions.



Note: Dashed Lines Represent Inswing Vented Units Solid Lines Represent
Outswing Vented Units; Lines Converge At Hinge Side Of Vent

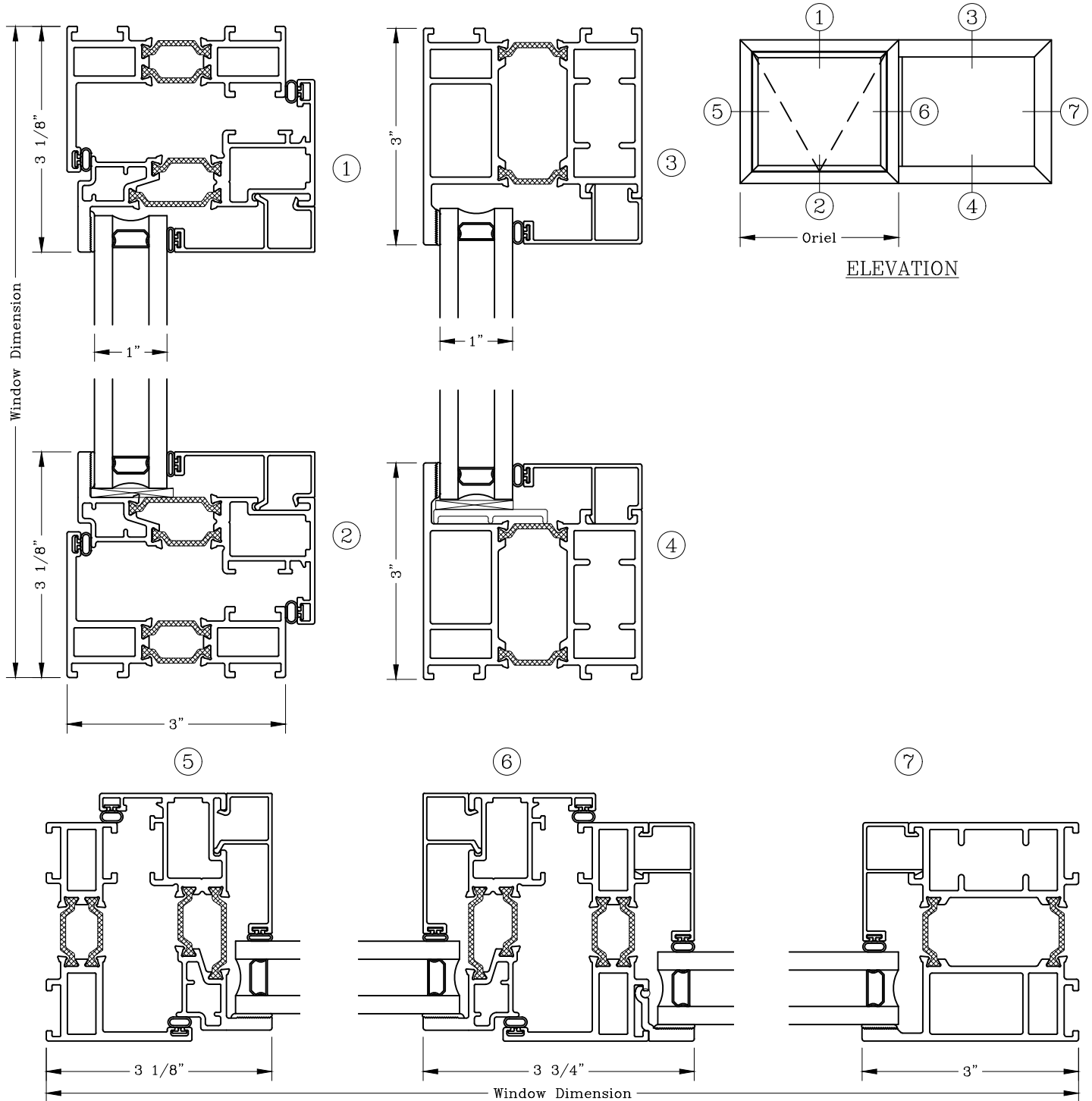
Projected – 3”
 Equal Sightline
 Inswing Projected/Fixed



Series: GT6700 Manufacturing Code: GT6725F

Drawing 1/2 Scale – For Custom Size Drawing Contact Graham

Note: Sealant Not Shown On Details. Refer To General Installation Instructions.



Note: Dashed Lines Represent Inswing Vented Units Solid Lines Represent
 Outswing Vented Units; Lines Converge At Hinge Side Of Vent

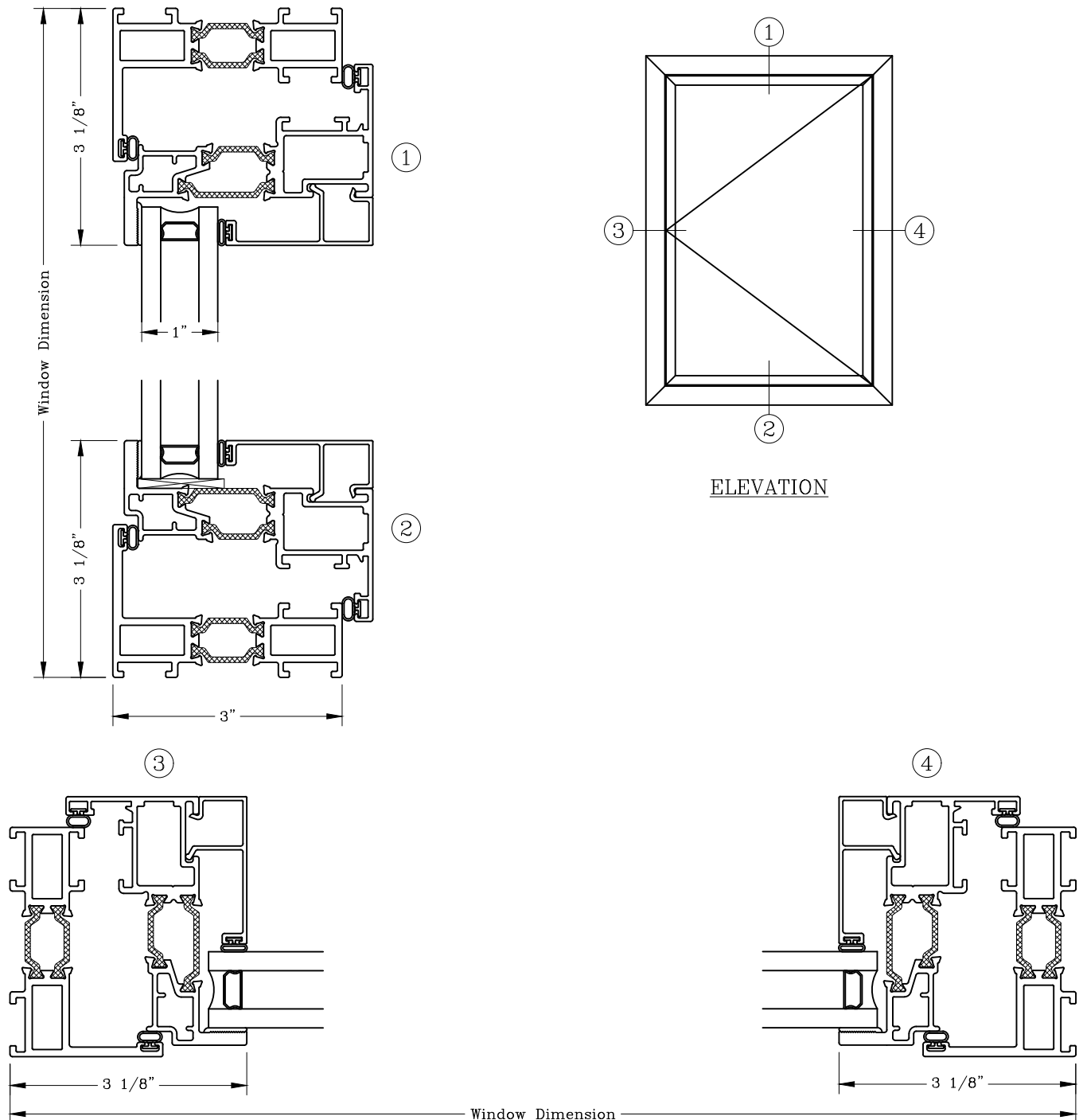
Casement – 3”
 Equal Sightline
 Inswing



Series: GT6700 Manufacturing Code: GT6728F

Drawing 1/2 Scale – For Custom Size Drawing Contact Graham

Note: Sealant Not Shown On Details. Refer To General Installation Instructions.



Note: Dashed Lines Represent Inswing Vented Units Solid Lines Represent
 Outswing Vented Units; Lines Converge At Hinge Side Of Vent

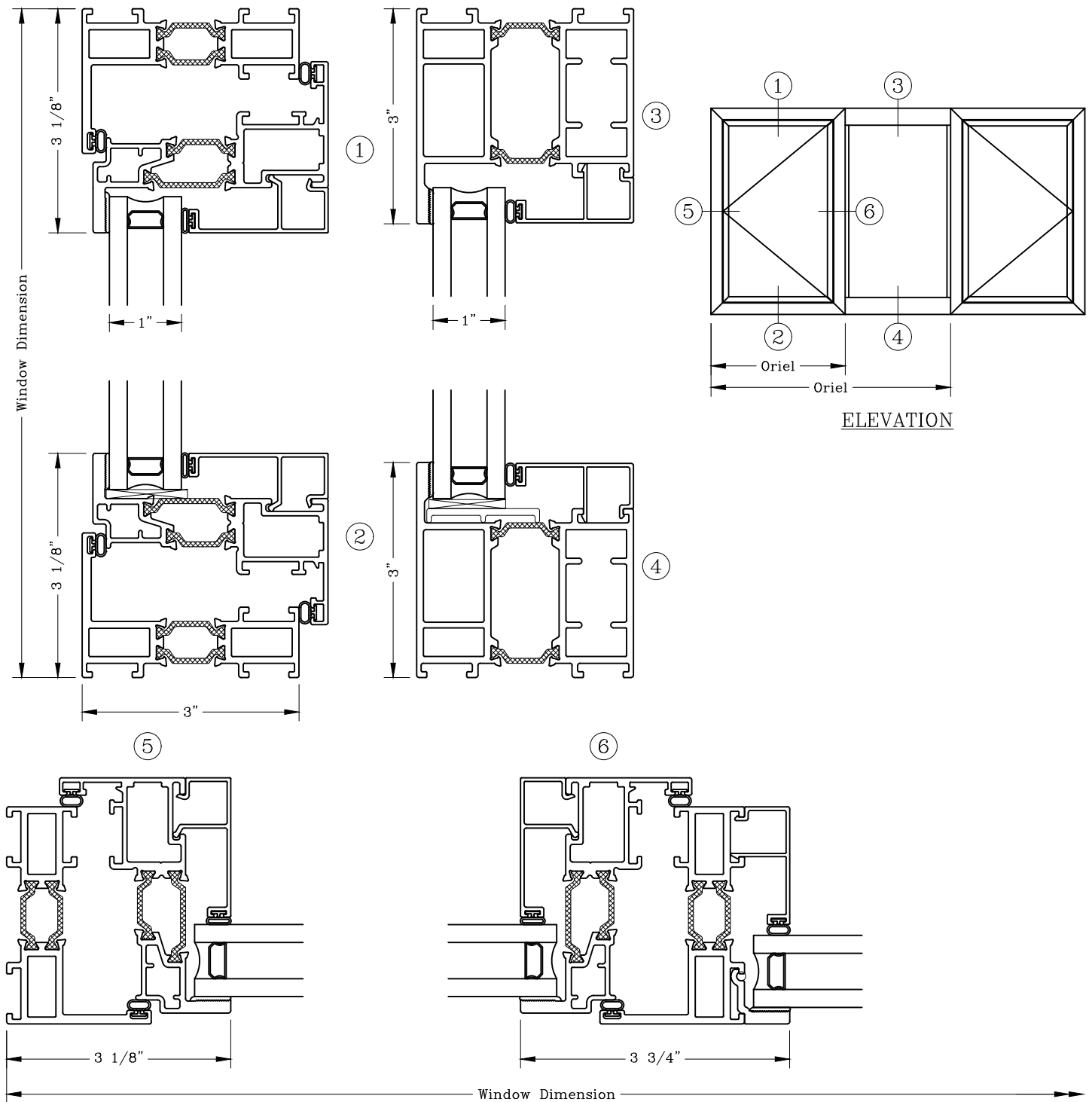
Casement – 3”
 Equal Sightline
 Inswing/Fixed/Inswing



Series: GT6700 Manufacturing Code: GT6729F

Drawing 1/2 Scale – For Custom Size Drawing Contact Graham

Note: Sealant Not Shown On Details. Refer To General Installation Instructions.



Note: Dashed Lines Represent Inswing Vented Units Solid Lines Represent
 Outswing Vented Units; Lines Converge At Hinge Side Of Vent

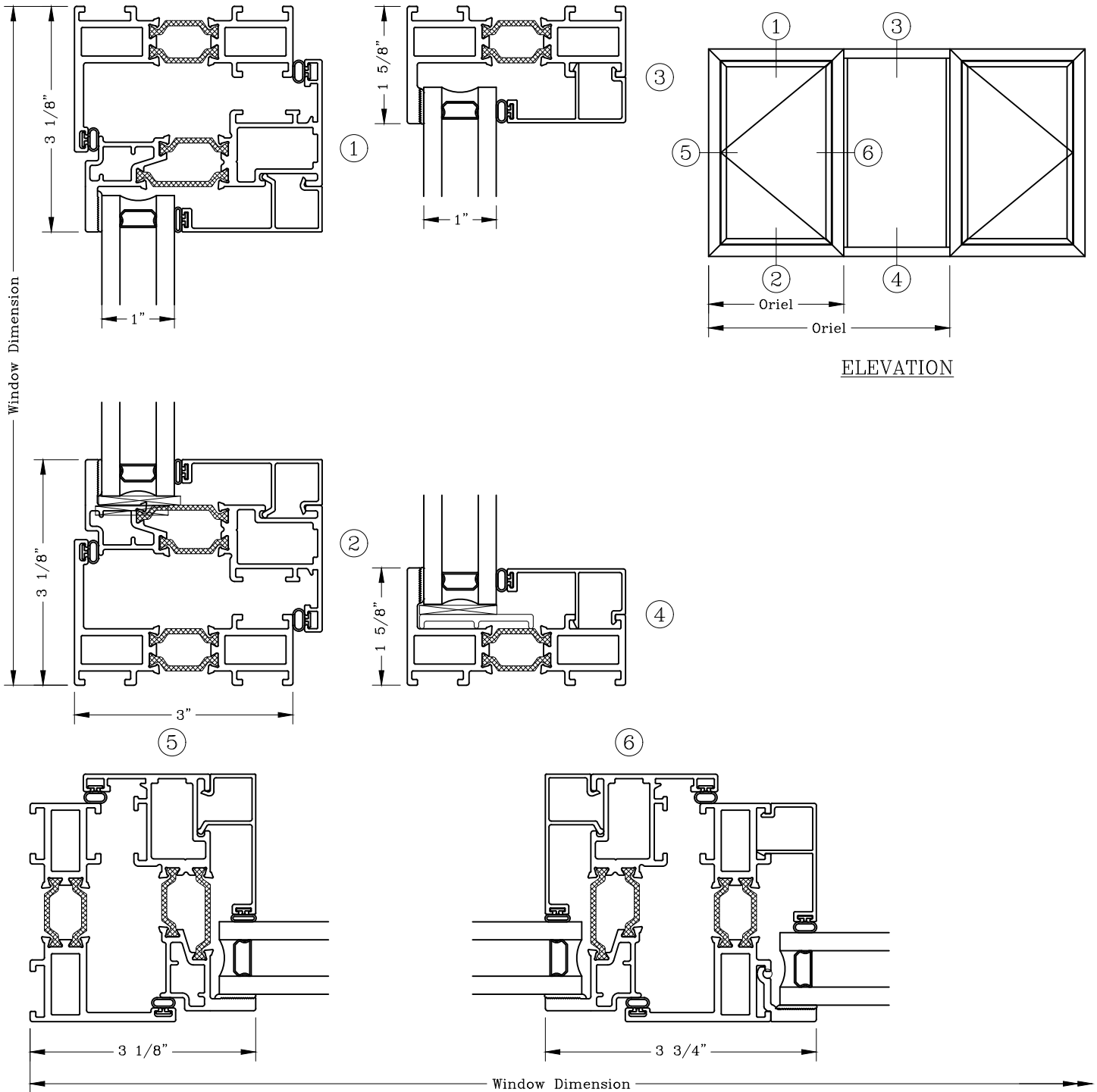
Casement – 3”
Narrow Sightline
Inswing/Fixed/Inswing



Series: GT6700 Manufacturing Code: GT6730F

Drawing 1/2 Scale – For Custom Size Drawing Contact Graham

Note: Sealant Not Shown On Details. Refer To General Installation Instructions.



Note: Dashed Lines Represent Inswing Vented Units Solid Lines Represent
Outswing Vented Units; Lines Converge At Hinge Side Of Vent

Casement – 3”

Equal Sightline

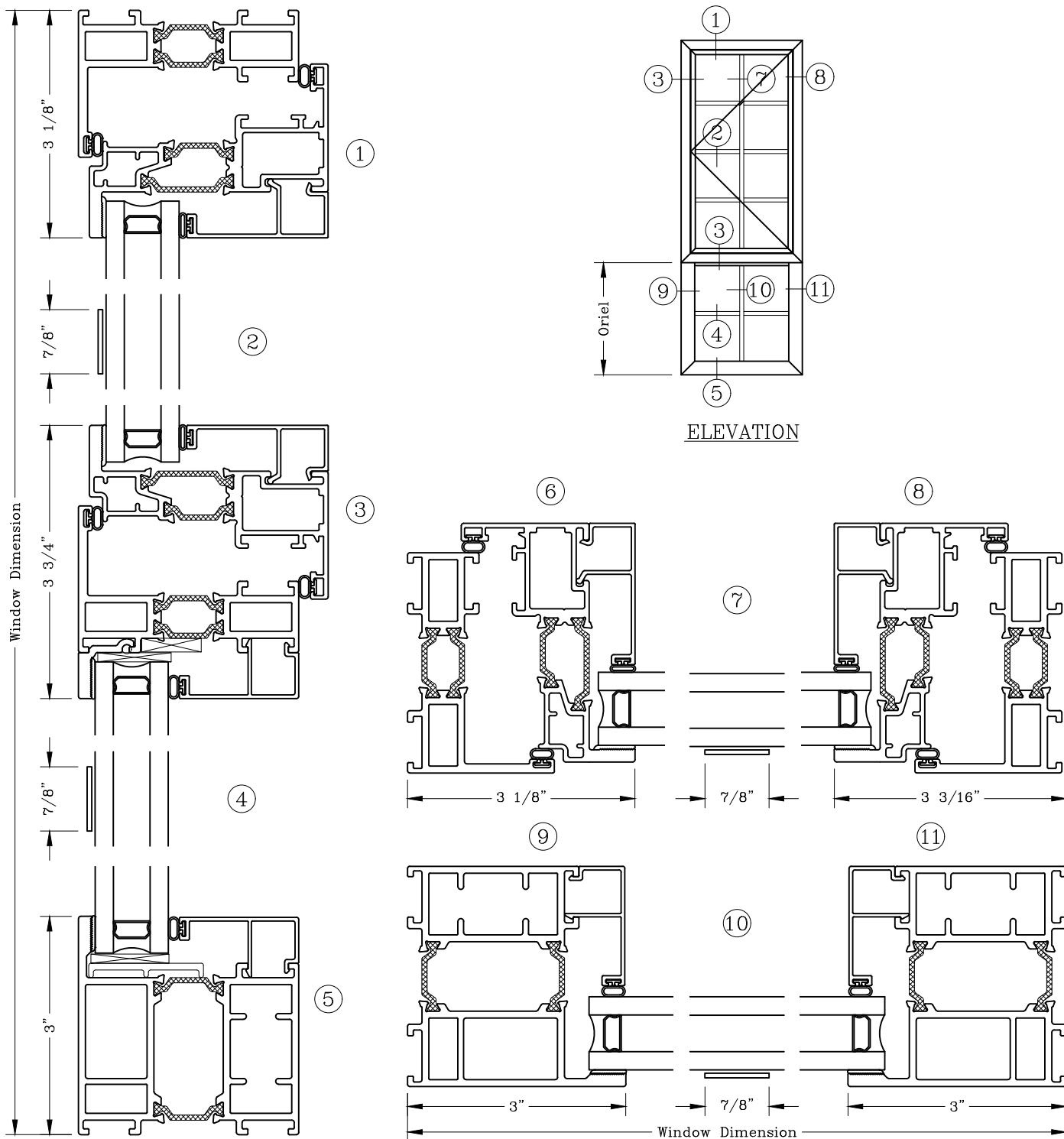
Inswing Over Fixed

Series: GT6700

Manufacturing Code: GT6731F

Drawing 1/2 Scale – For Custom Size Drawing Contact Graham

Note: Sealant Not Shown On Details. Refer To General Installation Instructions.



Note: Dashed Lines Represent Inswing Vented Units Solid Lines Represent Outswing Vented Units; Lines Converge At Hinge Side Of Vent

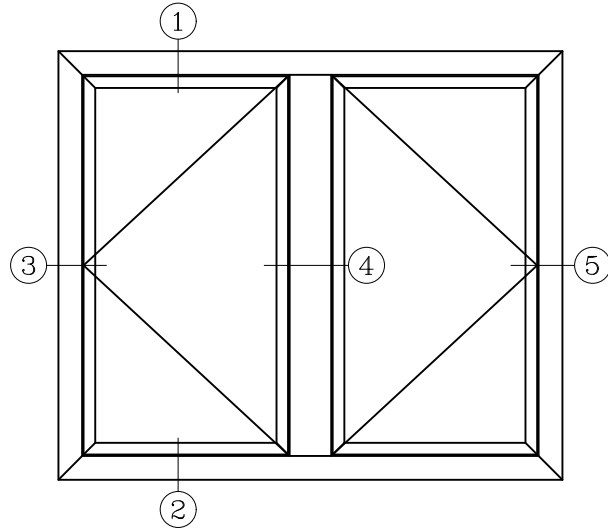
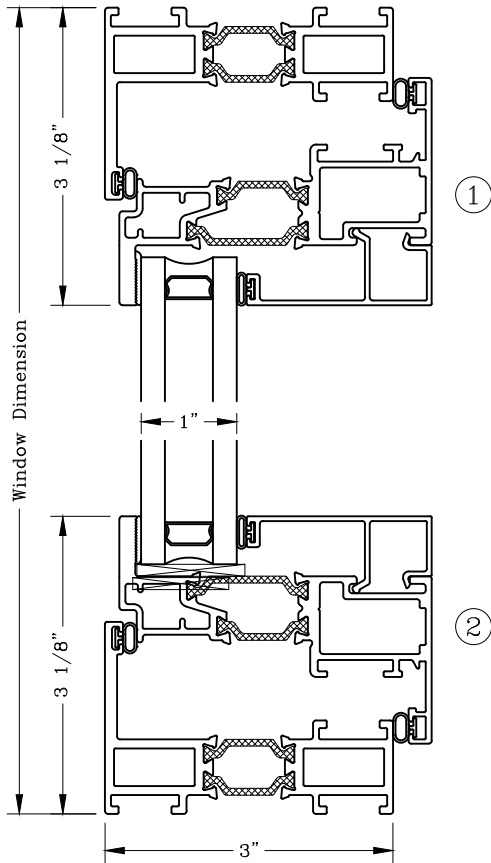
Casement – 3” Inswing Twin Casement



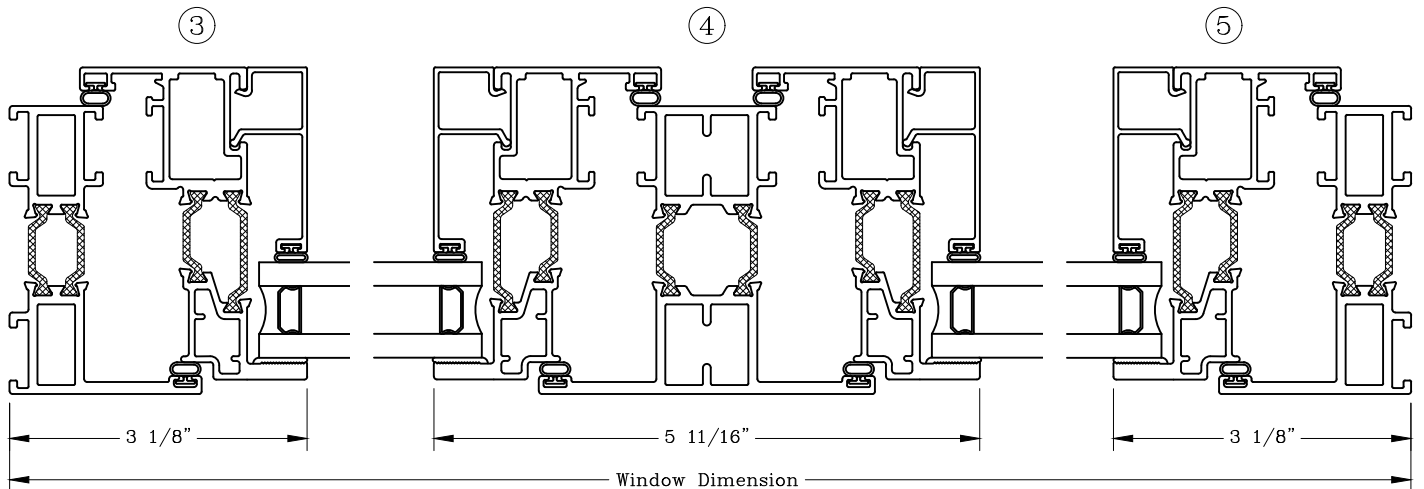
Series: GT6700 Manufacturing Code: GT6732F

Drawing 1/2 Scale – For Custom Size Drawing Contact Graham

Note: Sealant Not Shown On Details. Refer To General Installation Instructions.



ELEVATION



Note: Dashed Lines Represent Inswing Vented Units Solid Lines Represent
Outswing Vented Units; Lines Converge At Hinge Side Of Vent