

# Terrace Door - 2 3/4"

Inswing

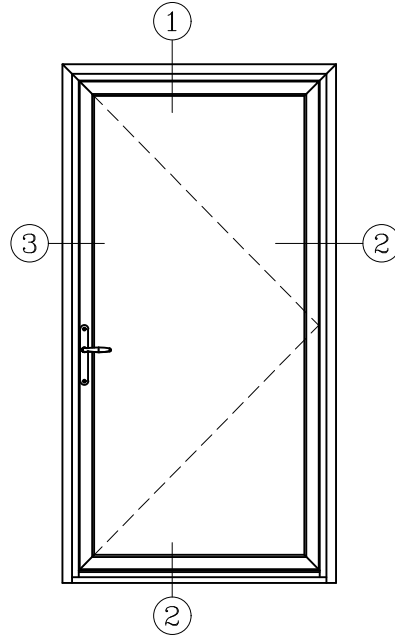
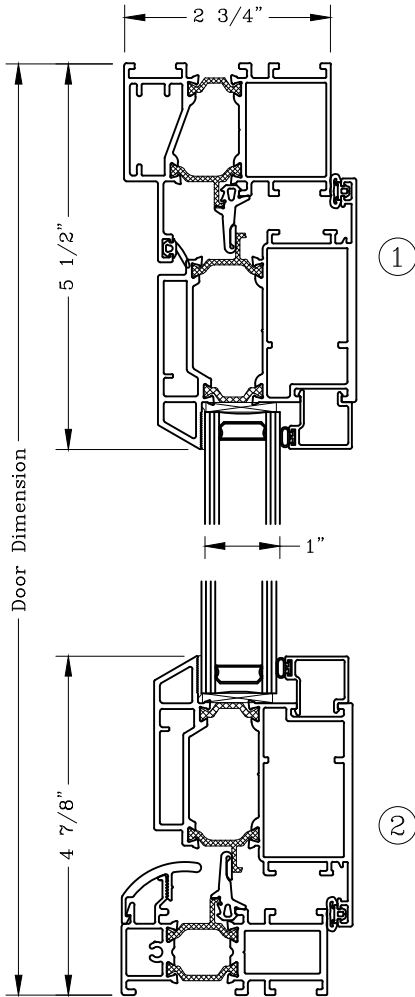
Beveled

Series: GT7700

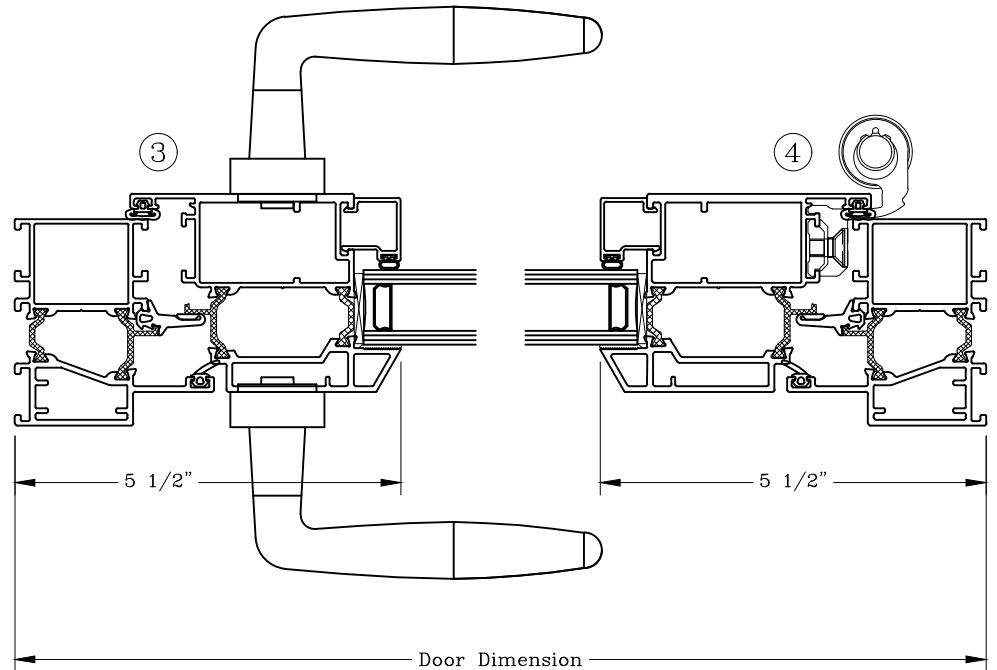
Manufacturing Code: GT7701

Drawing 1/2 Scale - For Custom Size Drawing Contact Graham

Note: Sealant Not Shown On Details. Consult Technical Services At Factory For Sealing Procedures.



ELEVATION



Note: Dashed Lines Represent Inswing Vented Units; Solid Lines Represent Outswing Vented Units; Lines Converge At Hinge Side Of Vent

Graham Architectural Products reserves the right to change, add, cancel, remove or otherwise modify the details illustrated without prior notice.

1551 Mt. Rose Avenue, York, Pennsylvania 17403-2909 800/755-6274 Fax: 800/366-5097

0521 - GT77.01

Web Site: [www.grahamwindows.com](http://www.grahamwindows.com)

# Terrace Door – 3 1/4” Inswing with Top Transom Beveled

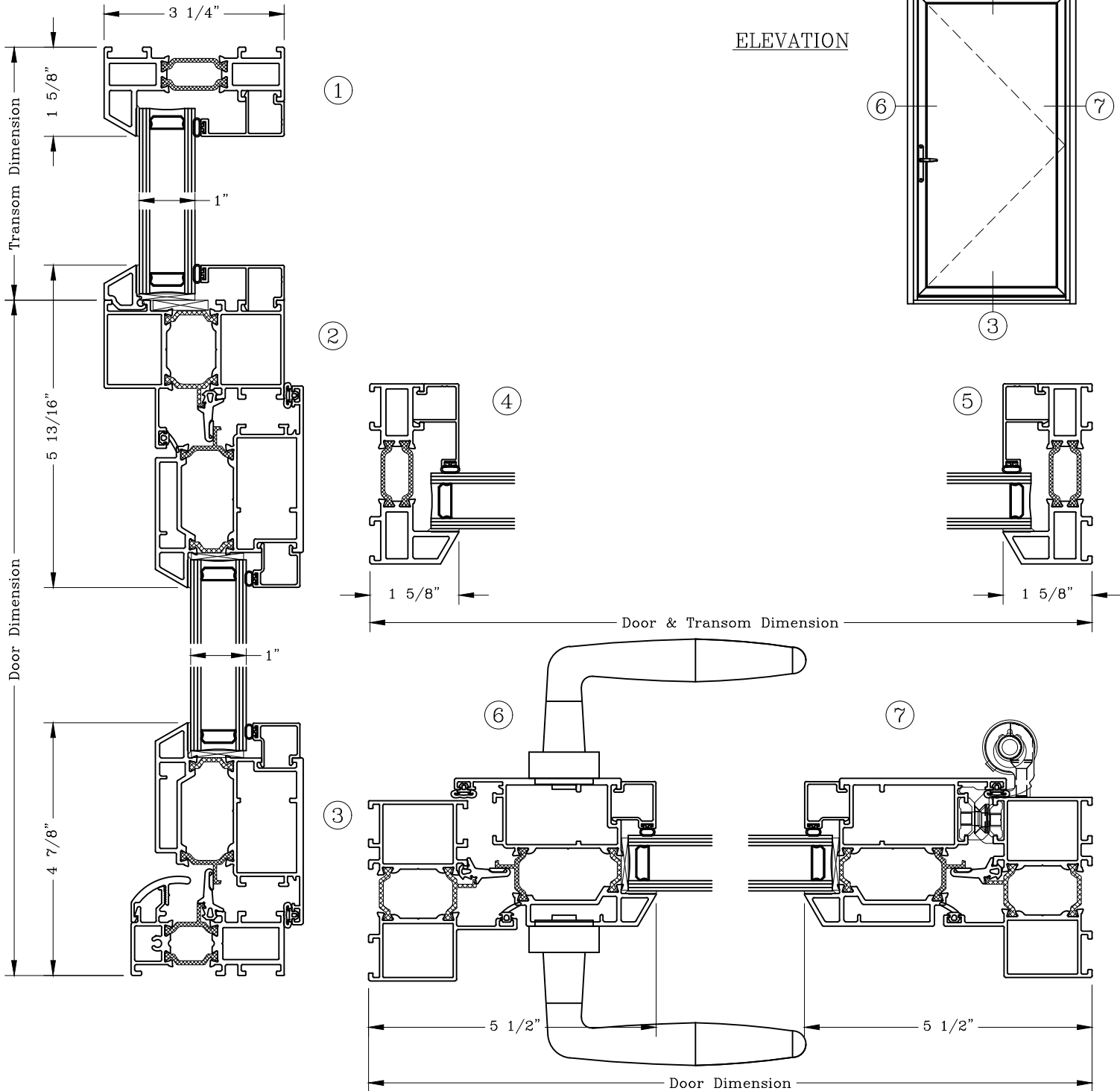


Series: GT7700

Manufacturing Code: GT7702

Drawing 1/2 Scale – For Custom Size Drawing Contact Graham

Note: Sealant Not Shown On Details. Consult Technical Services At Factory For Sealing Procedures.



Note: Dashed Lines Represent Inswing Vented Units; Solid Lines Represent  
Outswing Vented Units; Lines Converge At Hinge Side Of Vent

Graham Architectural Products reserves the right to change, add, cancel, remove or otherwise modify the details illustrated without prior notice.

1551 Mt. Rose Avenue, York, Pennsylvania 17403-2909 800/755-6274 Fax: 800/366-5097

0521 – GT77.02

Web Site: [www.grahamwindows.com](http://www.grahamwindows.com)

# Terrace Door – 3 3/8” Inswing with Sidelite Beveled

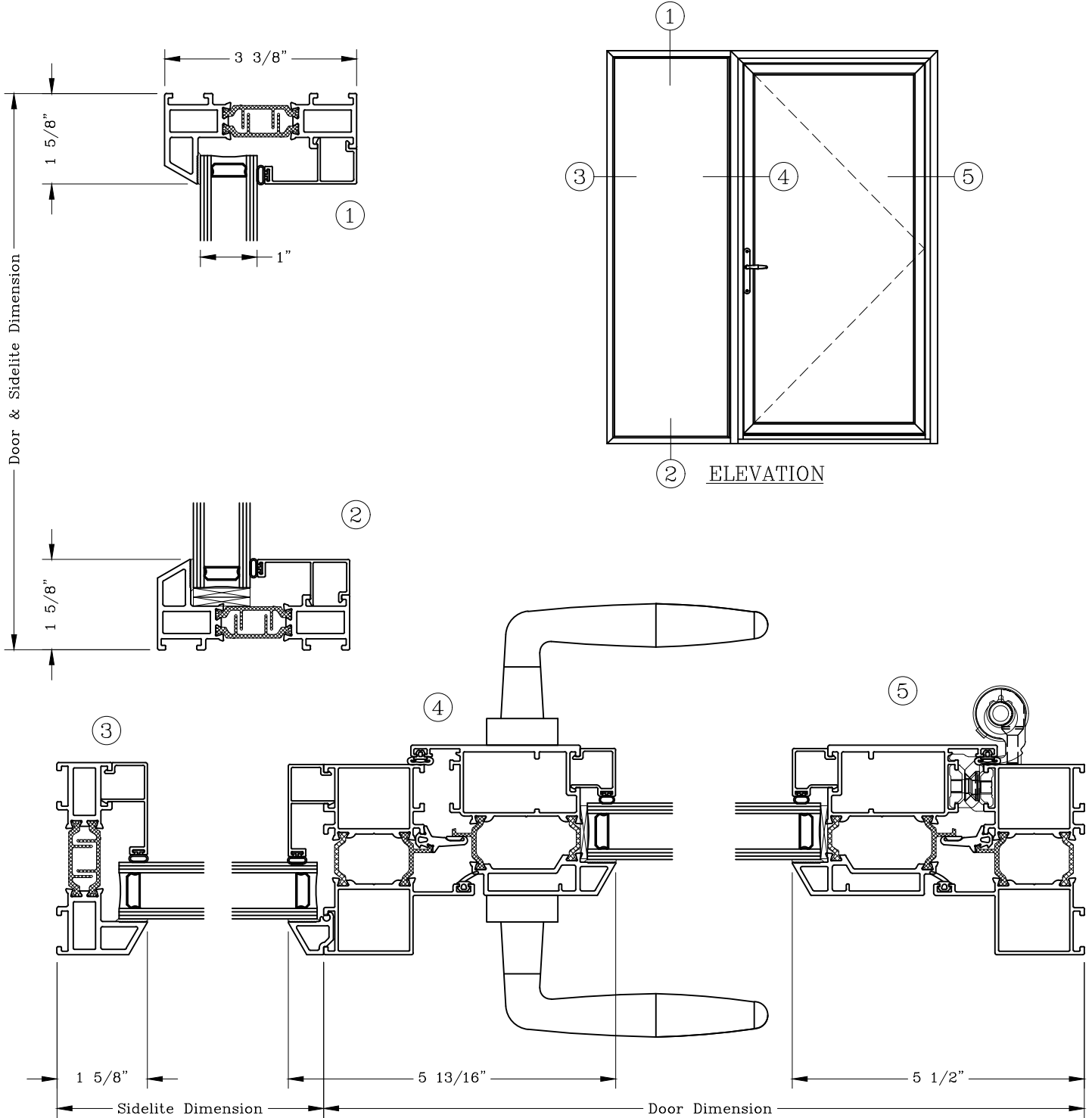


Series: GT7700

Manufacturing Code: GT7703

Drawing 1/2 Scale – For Custom Size Drawing Contact Graham

Note: Sealant Not Shown On Details. Consult Technical Services At Factory For Sealing Procedures.



Note: Dashed Lines Represent Inswing Vented Units; Solid Lines Represent  
Outswing Vented Units; Lines Converge At Hinge Side Of Vent

Graham Architectural Products reserves the right to change, add, cancel, remove or otherwise modify the details illustrated without prior notice.

1551 Mt. Rose Avenue, York, Pennsylvania 17403-2909 800/755-6274 Fax: 800/366-5097

0521 – GT77.03

Web Site: [www.grahamwindows.com](http://www.grahamwindows.com)

# French Terrace Door

Inswing

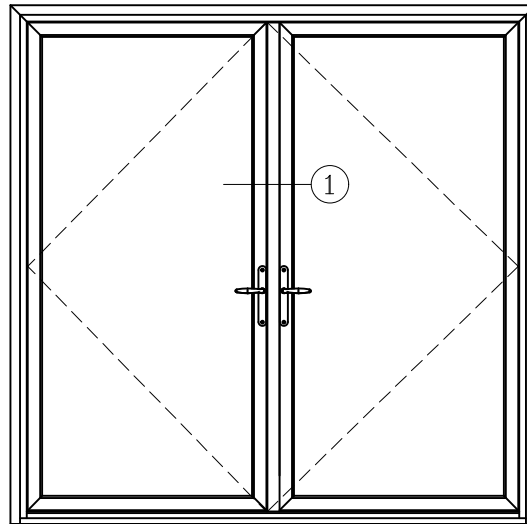
Beveled

Series: GT7700

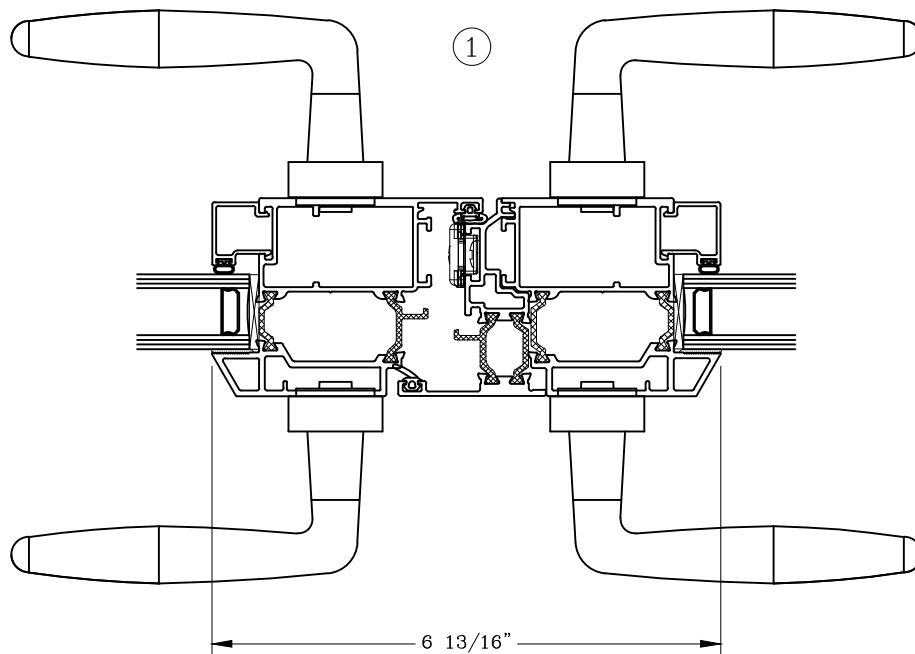
Manufacturing Code: GT7704

Drawing 1/2 Scale – For Custom Size Drawing Contact Graham

Note: Sealant Not Shown On Details. Consult Technical Services At Factory For Sealing Procedures.



ELEVATION



Note: Dashed Lines Represent Inswing Vented Units; Solid Lines Represent  
Outswing Vented Units; Lines Converge At Hinge Side Of Vent

Graham Architectural Products reserves the right to change, add, cancel, remove or otherwise modify the details illustrated without prior notice.

1551 Mt. Rose Avenue, York, Pennsylvania 17403-2909 800/755-6274 Fax: 800/366-5097

0521 – GT77.04

Web Site: [www.grahamwindows.com](http://www.grahamwindows.com)

# Terrace Door Options Inswing



Series: GT7700

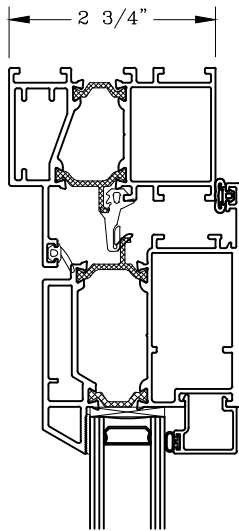
Manufacturing Code: GT7705

Drawing 1/2 Scale – For Custom Size Drawing Contact Graham

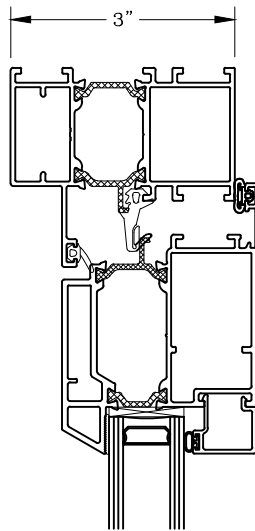
Note: Sealant Not Shown On Details. Consult Technical Services At Factory For Sealing Procedures.

## Door Frame Depth Options

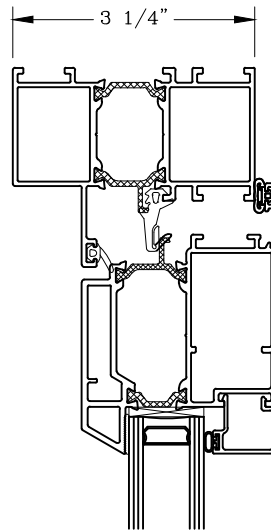
2 3/4" Frame



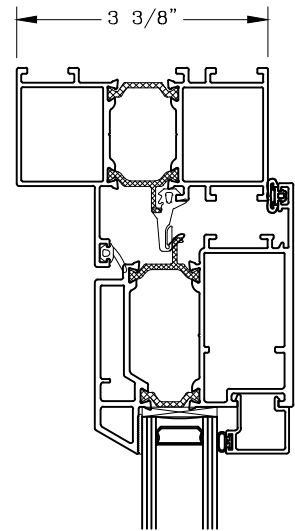
3" Frame



3 1/4" Frame

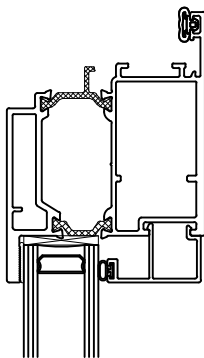


3 3/8" Frame

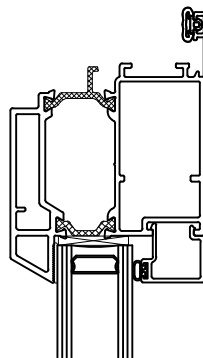


## Door Leaf Profile Options

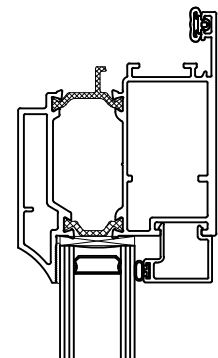
Flat Profile



Beveled Profile



Concave Profile



Note: Dashed Lines Represent Inswing Vented Units; Solid Lines Represent  
Outswing Vented Units; Lines Converge At Hinge Side Of Vent

Graham Architectural Products reserves the right to change, add, cancel, remove or otherwise modify the details illustrated without prior notice.

1551 Mt. Rose Avenue, York, Pennsylvania 17403-2909 800/755-6274 Fax: 800/366-5097

0521 – GT77.05

Web Site: [www.grahamwindows.com](http://www.grahamwindows.com)

# Terrace Door Options Inswing



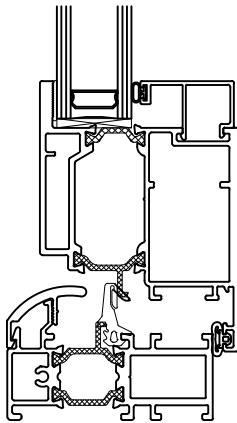
Series: GT7700      Manufacturing Code: GT7706

Drawing 1/2 Scale – For Custom Size Drawing Contact Graham

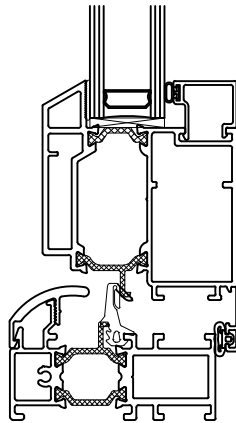
Note: Sealant Not Shown On Details. Consult Technical Services At Factory For Sealing Procedures.

## Standard Door Threshold Option

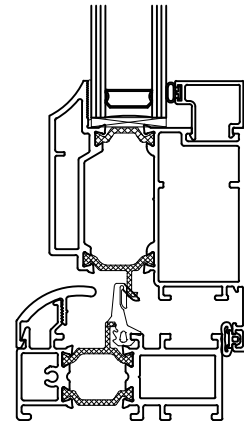
Flat Profile



Beveled Profile

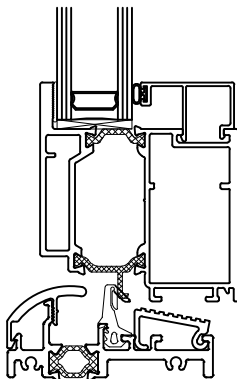


Concave Profile

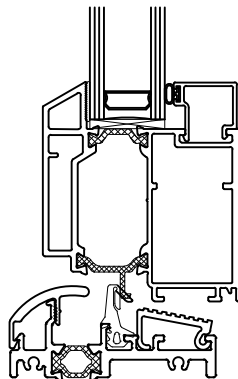


## Low Rise Door Threshold Option

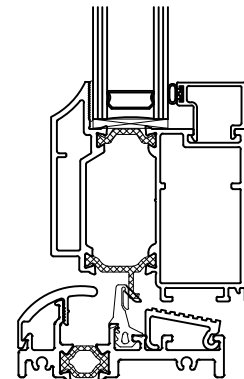
Flat Profile



Beveled Profile



Concave Profile



Note: Dashed Lines Represent Inswing Vented Units; Solid Lines Represent  
Outswing Vented Units; Lines Converge At Hinge Side Of Vent

Graham Architectural Products reserves the right to change, add, cancel, remove or otherwise modify the details illustrated without prior notice.

1551 Mt. Rose Avenue, York, Pennsylvania 17403-2909 800/755-6274 Fax: 800/366-5097

0521 – GT77.06

Web Site: [www.grahamwindows.com](http://www.grahamwindows.com)

# Terrace Door Options

Inswing

Bottom Rail Kick Plates

Series: GT7700

Manufacturing Code: GT7707

Drawing 1/2 Scale – For Custom Size Drawing Contact Graham

Note: Sealant Not Shown On Details. Consult Technical Services At Factory For Sealing Procedures.

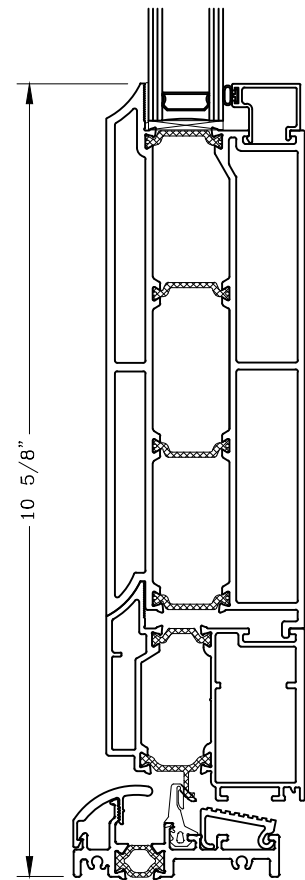
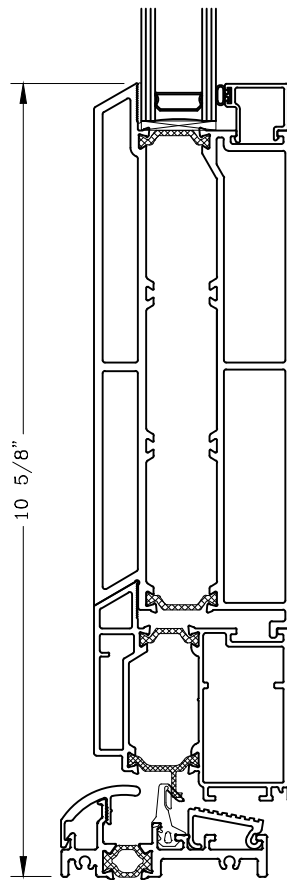
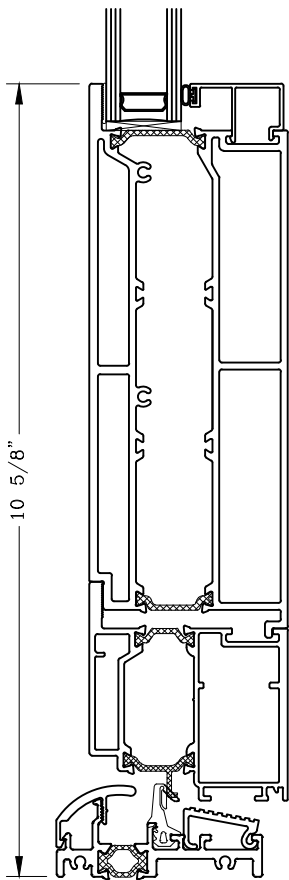


## Terrace Door Kick Plate Option

Flat Profile

Beveled Profile

Concave Profile



Note: Dashed Lines Represent Inswing Vented Units; Solid Lines Represent  
Outswing Vented Units; Lines Converge At Hinge Side Of Vent

Graham Architectural Products reserves the right to change, add, cancel, remove or otherwise modify the details illustrated without prior notice.

1551 Mt. Rose Avenue, York, Pennsylvania 17403-2909 800/755-6274 Fax: 800/366-5097

0521 – GT77.07

Web Site: [www.grahamwindows.com](http://www.grahamwindows.com)

# Terrace Door Options

Inswing

Transoms & Sidelites

Series: GT7700

Manufacturing Code: GT7708

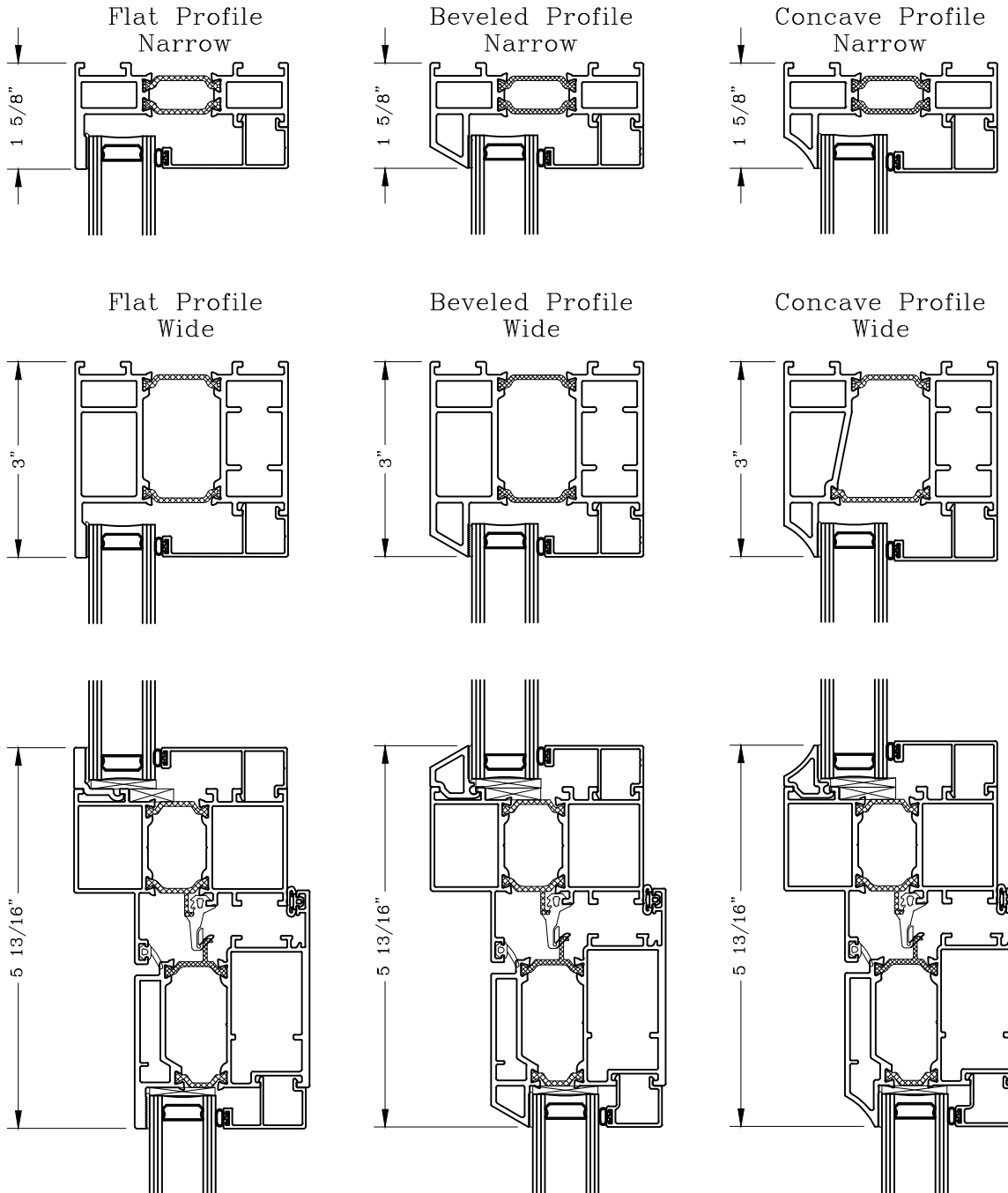
Drawing 1/2 Scale – For Custom Size Drawing Contact Graham

Note: Sealant Not Shown On Details. Consult Technical Services At Factory For Sealing Procedures.



## Transom & Sidelite Options

Available in 2 3/4", 3", 3 1/4" & 3 3/8" Frame Depths  
(3 1/4" Frame Depth Transoms Shown)



Note: Dashed Lines Represent Inswing Vented Units; Solid Lines Represent Outswing Vented Units; Lines Converge At Hinge Side Of Vent

Graham Architectural Products reserves the right to change, add, cancel, remove or otherwise modify the details illustrated without prior notice.

1551 Mt. Rose Avenue, York, Pennsylvania 17403-2909 800/755-6274 Fax: 800/366-5097

Web Site: [www.grahamwindows.com](http://www.grahamwindows.com)

0521 – GT77.08



# French Terrace Door Inswing Astragal & Optional Muntins



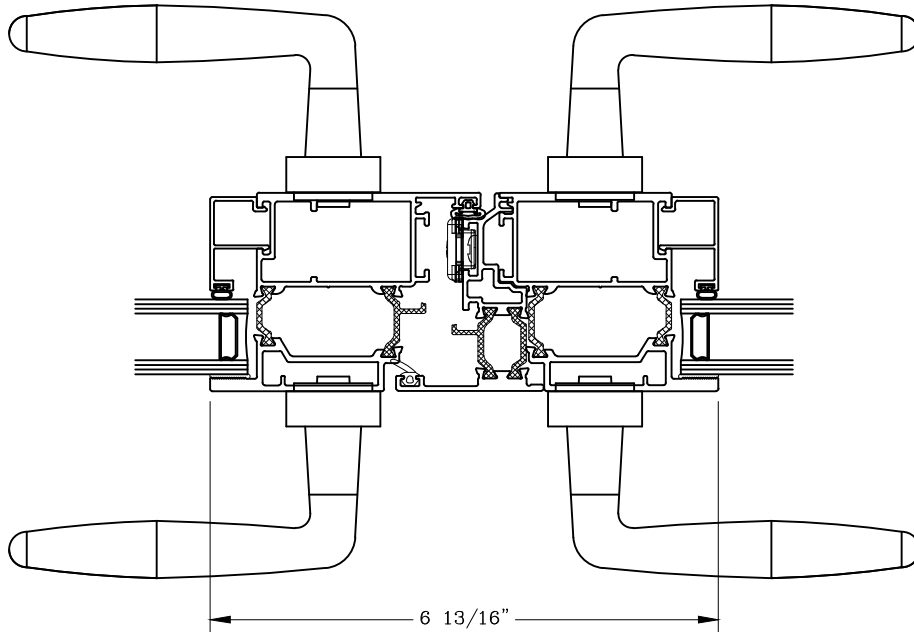
Series: GT7700      Manufacturing Code: GT7709

Drawing 1/2 Scale – For Custom Size Drawing Contact Graham

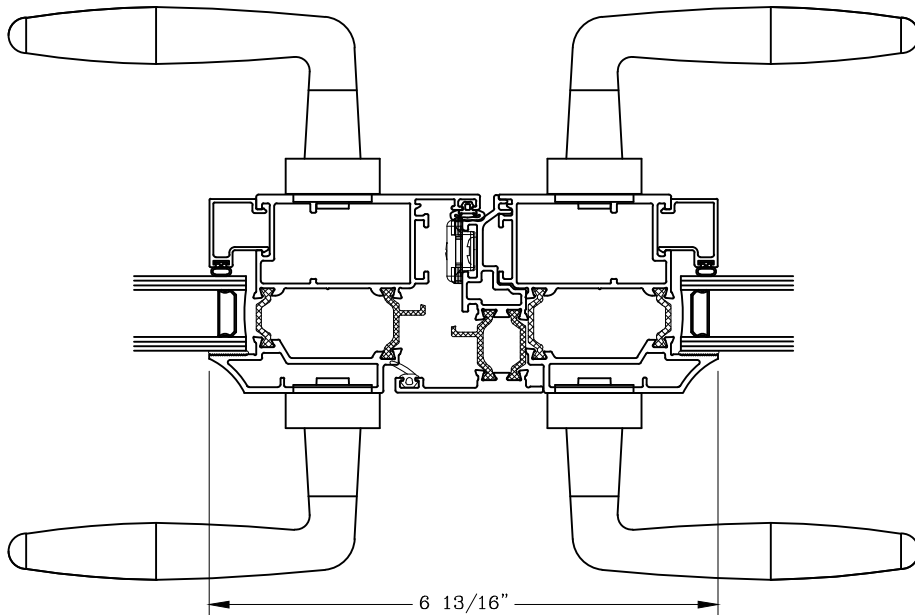
Note: Sealant Not Shown On Details. Consult Technical Services At Factory For Sealing Procedures.

## French Door Astragal (See Page GT77.04 for Beveled Profile)

Flat Profile

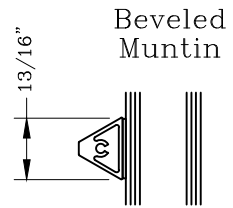


Concave Profile

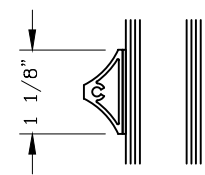


## Muntins

Contact Engineering  
For Double or Triple  
Muntins



Beveled  
Muntin



Concave  
Muntin

Note: Dashed Lines Represent Inswing Vented Units; Solid Lines Represent  
Outswing Vented Units; Lines Converge At Hinge Side Of Vent

Graham Architectural Products reserves the right to change, add, cancel, remove or otherwise modify the details illustrated without prior notice.

1551 Mt. Rose Avenue, York, Pennsylvania 17403-2909 800/755-6274 Fax: 800/366-5097

Web Site: [www.grahamwindows.com](http://www.grahamwindows.com)

0521 – GT77.09

Terrace Door - 2 3/4"  
 Outswing  
 Beveled

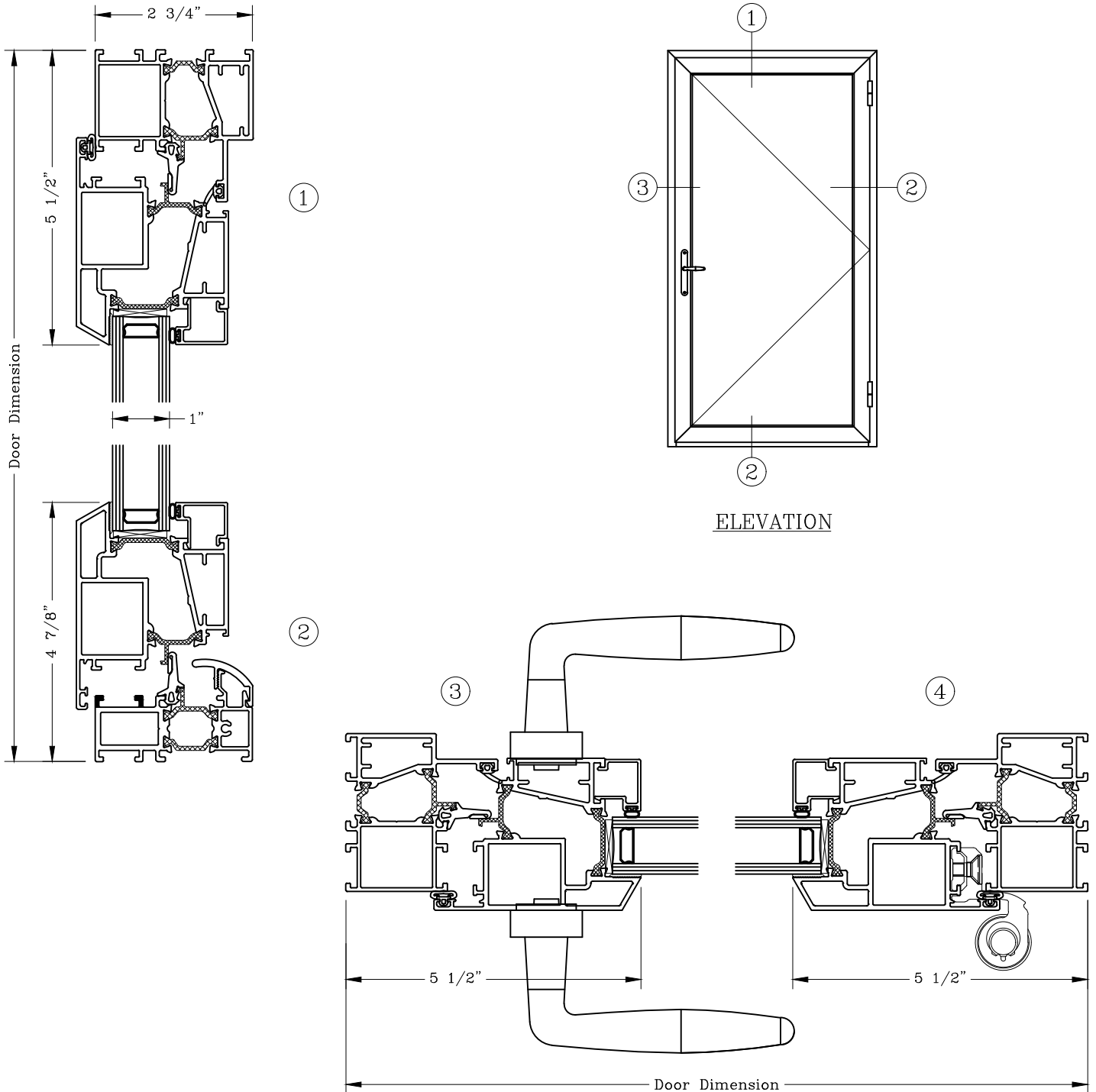


Series: GT7700

Manufacturing Code: GT7710

Drawing 1/2 Scale - For Custom Size Drawing Contact Graham

Note: Sealant Not Shown On Details. Consult Technical Services At Factory For Sealing Procedures.



Note: Dashed Lines Represent Inswing Vented Units; Solid Lines Represent Outswing Vented Units; Lines Converge At Hinge Side Of Vent

Graham Architectural Products reserves the right to change, add, cancel, remove or otherwise modify the details illustrated without prior notice.

1551 Mt. Rose Avenue, York, Pennsylvania 17403-2909 800/755-6274 Fax: 800/366-5097

0621 - GT77.10

Web Site: www.grahamwindows.com

# Terrace Door – 3 1/4” Outswing with Top Transom Beveled

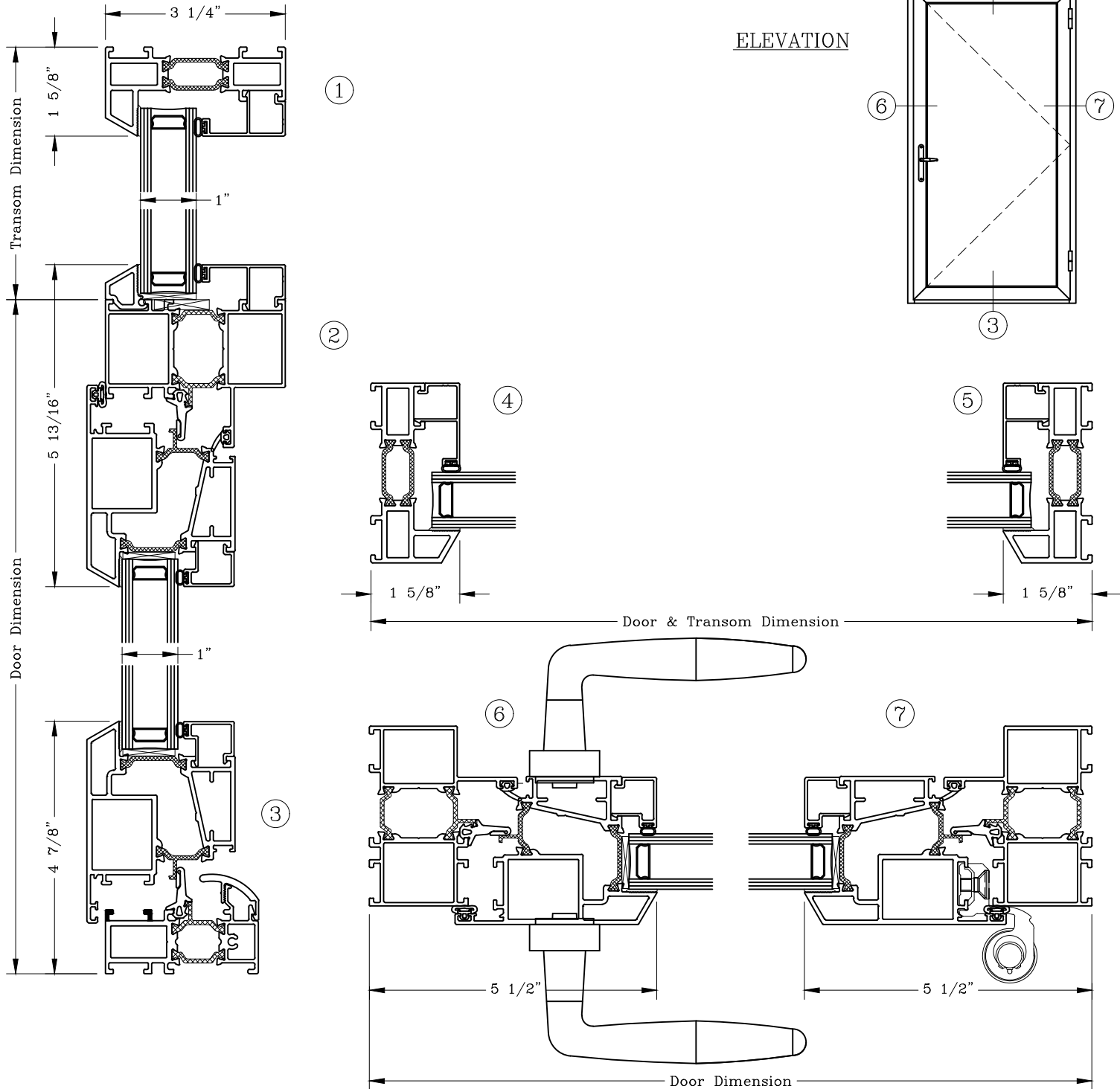


Series: GT7700

Manufacturing Code: GT7711

Drawing 1/2 Scale – For Custom Size Drawing Contact Graham

Note: Sealant Not Shown On Details. Consult Technical Services At Factory For Sealing Procedures.



Note: Dashed Lines Represent Inswing Vented Units; Solid Lines Represent Outswing Vented Units; Lines Converge At Hinge Side Of Vent

Graham Architectural Products reserves the right to change, add, cancel, remove or otherwise modify the details illustrated without prior notice.

1551 Mt. Rose Avenue, York, Pennsylvania 17403-2909 800/755-6274 Fax: 800/366-5097

0621 – GT77.11

Web Site: [www.grahamwindows.com](http://www.grahamwindows.com)