

HI6800 SERIES DATA SHEET



Type	Frame Depth (inches)	Series	Model Code	Glazing*	Missile		Design Pressure (psf)		Water (psf)	Test Size (inches)
					Large	Small	Pos (+)	Neg (-)		
Fixed	3½	HI6800	HI6801/HI6802	Single Lami or 1¾" Insulating Lami	✓	Meets	90	120	12	48 x 72
Casement (Triple Glazed)	3½	HI6800	HI6803/HI6808	1" Double Insulating Lami plus interior Lami Guardian™ panel	✓	Meets	70	70	10.65	48 x 48
Casement	3½	HI6800	HI6804	Single Lami or 1" Insulating Lami	✓	Meets	90	120	13.5	42 x 72

*Additional glazing and test configurations may be available – contact Graham.

STANDARD FEATURES

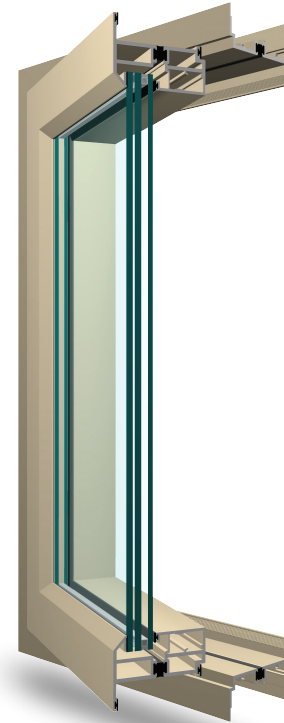
- Projected/casement/fix windows for hurricane-impact resistance
- Provides large missile impact protection
- Offers passive protection from wind-borne debris without shutters!
- Thermally broken frame and vent for superior energy savings
- Sloped exterior glazing leg simulates putty-glazed profile
- Integral and fixed stack mull for minimal sightlines
- Mulls to fixed and operable products of the same frame depth
- Flush design of vent & frame for aesthetic appeal
- Outswing vents only

INSTALLATION METHODS

- Pre-set panning
- Trim & clip
- Wraparound panning
- Receptor & subsill

OPTIONAL FEATURES

- Dual glazed with blinds
- Historic grids
- Hardware options
- Blast resistant



TESTED TO: ASTM E1886, ASTM E1996 AND/OR TAS 201, TAS 202, TAS 203

Window series: HI6800 Projected/Casement/Fixed — General Specifications & Details

- **Materials:**
All frame and vent sections shall be thermally broken extruded aluminum shapes produced from commercial quality 6063-T6 alloy
- **Hardware:**
Lever locks, butt hinges, or 4-bar hinges
Tested to impact performance standards
- **Finish Options:**
AAMA 2603, 2604, & 2605, as well as powder coat and anodized finishes, are all available in a wide range of colors
- **Accessories:**
Wide range of panning & trim options available

HI6801 FEATURES

- Fixed window
- Thermal-break frame & sash
- Single-glazed laminated glass
- Large missile +90/-120 DP performance

HI6802 FEATURES

- Fixed window
- Thermal-break frame & sash
- Insulating laminated glass
- Large missile +90/-120 DP performance

HI6804 FEATURES

- Casement/projected window
- Thermal-break frame & sash
- Single-glazed laminated glass
- Large missile +90/-120 DP performance

Our products are tested to the standards of and certified by the American Architectural Manufacturer's Association and the National Fenestration Rating Council.



Hurricane Impact – 3 1/2” Fixed (Large Missile)

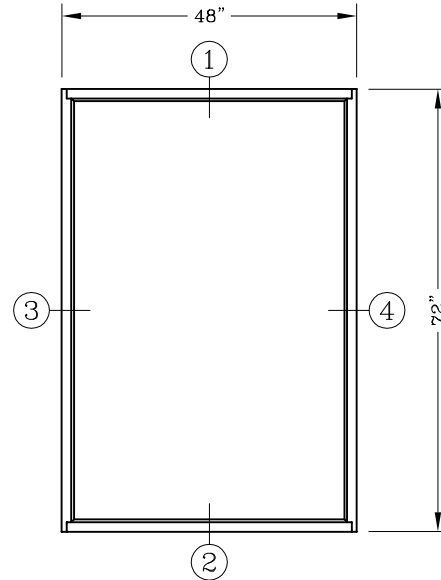
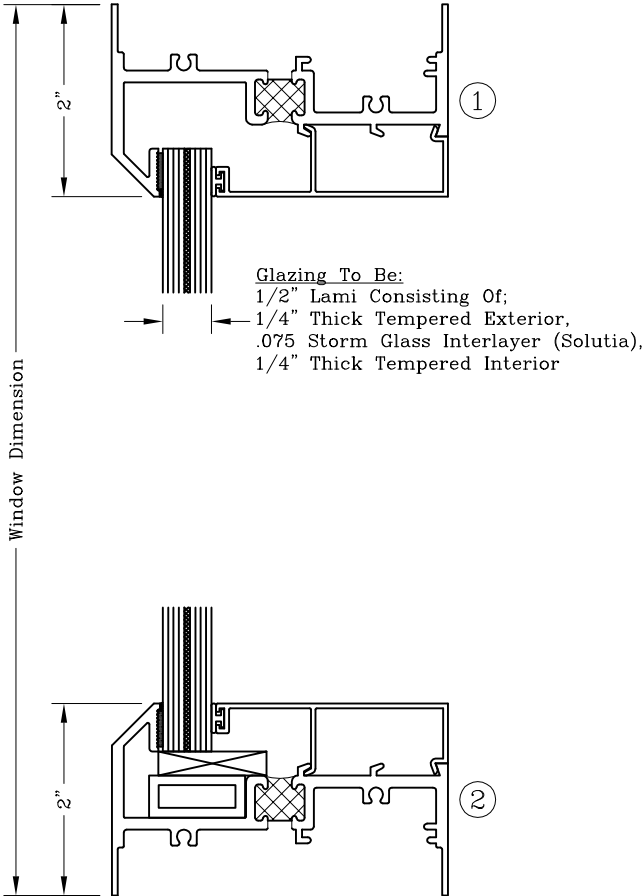


Series: HI6800

Manufacturing Code: HI6801

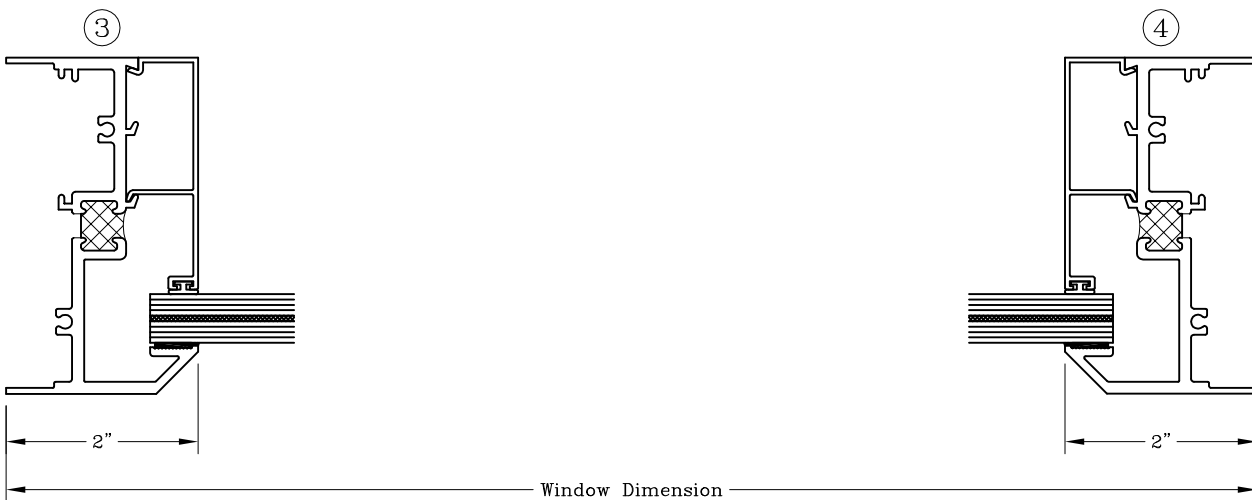
Drawing 1/2 Scale – For Custom Size Drawing Contact Graham

Note: Sealant Not Shown On Details. Consult Technical Services At Factory For Sealing Procedures.



ELEVATION
48" x 72" Tested

- INSTALLATION TYPES
1. Trim And Clip
 2. Pre-Set Panning And Trim Clip
 3. Receptor At Head And Jamb, And Sill Starter
(Reference Test Report #62504.01-109-18)



Hurricane Impact – 3 1/2” Fixed (Large Missile)

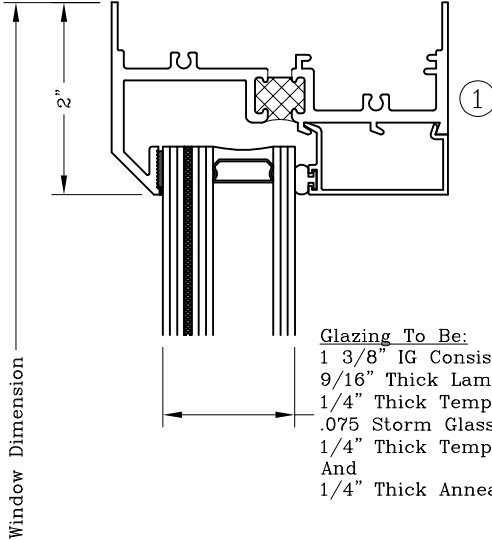


Series: HI6800

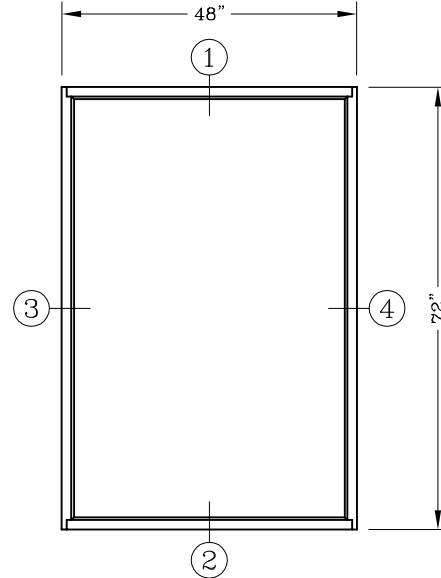
Manufacturing Code: HI6802

Drawing 1/2 Scale – For Custom Size Drawing Contact Graham

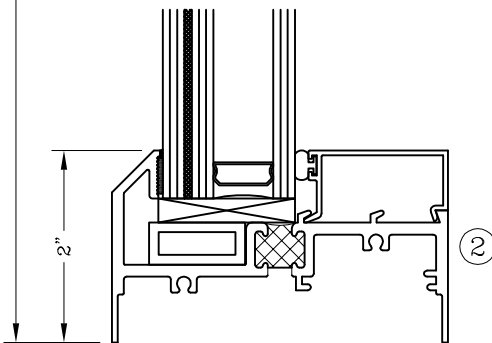
Note: Sealant Not Shown On Details. Consult Technical Services At Factory For Sealing Procedures.



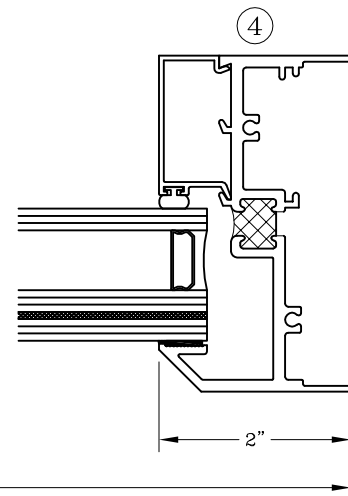
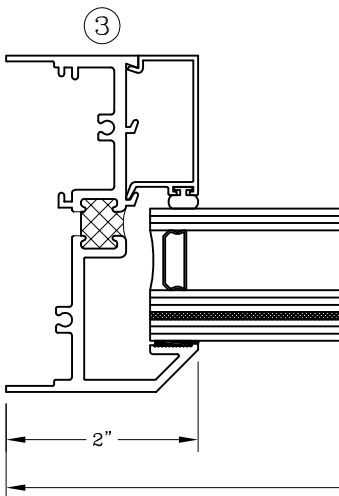
Glazing To Be:
 1 3/8" IG Consisting Of;
 9/16" Thick Lami Consisting Of;
 1/4" Thick Tempered Exterior,
 .075 Storm Glass Interlayer (Vancevia),
 1/4" Thick Tempered Interior,
 And
 1/4" Thick Annealed Interior



ELEVATION
48" x 72" Tested



- INSTALLATION TYPES
1. Trim And Clip
 2. Pre-Set Panning And Trim Clip
 3. Receptor At Head And Jamb, And Sill Starter
(Reference Test Report #62504.01-109-18)



Window Dimension

Hurricane Impact – 3 1/2” Casement With Guardian (Large Missile)

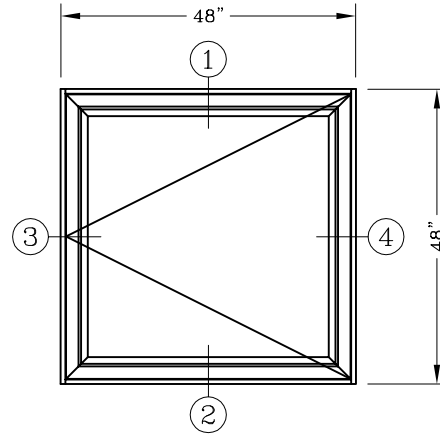
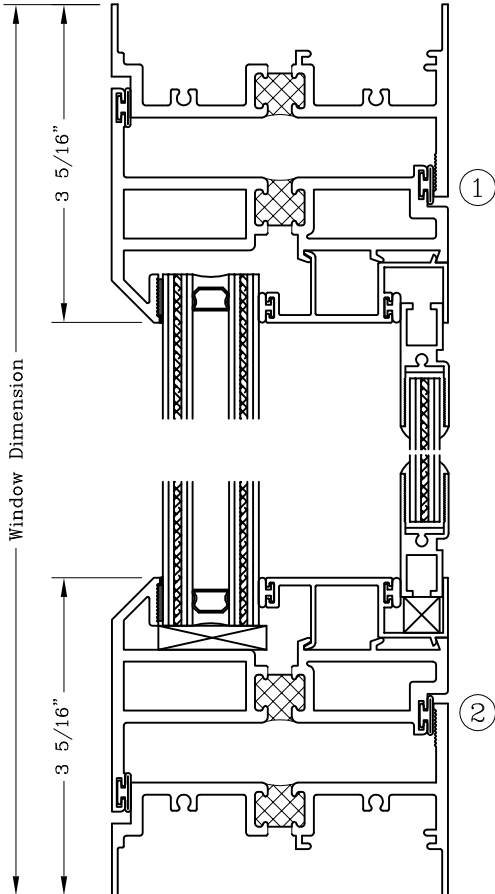


Series: HI6800

Manufacturing Code: HI6803

Drawing 1/2 Scale – For Custom Size Drawing Contact Graham

Note: Sealant Not Shown On Details. Consult Technical Services At Factory For Sealing Procedures.

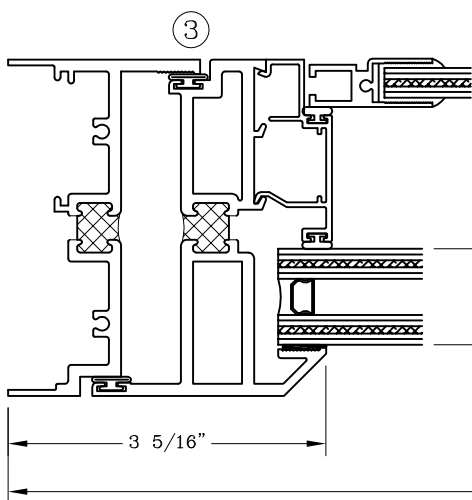


ELEVATION

48" x 48" Tested

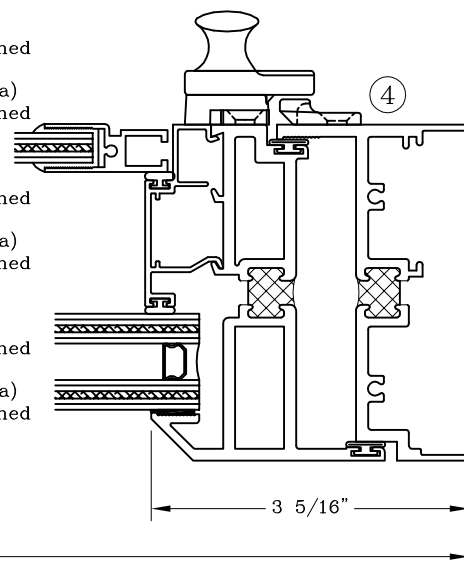
INSTALLATION TYPES

1. Trim And Clip
(Reference Test Report #62053.01-122-44)



Glazing To Be:

1" IG Consisting Of;
5/16" Lami Consisting Of;
1/8" Thick Heat Strengthened
Exterior
.075 PVB Interlayer (Solutia)
1/8" Thick Heat Strengthened
Interior
And
5/16" Lami Consisting Of;
1/8" Thick Heat Strengthened
Exterior
.075 PVB Interlayer (Solutia)
1/8" Thick Heat Strengthened
Interior
And
5/16" Lami Consisting Of;
1/8" Thick Heat Strengthened
Exterior
.075 PVB Interlayer (Solutia)
1/8" Thick Heat Strengthened



Note: Dashed Lines Represent Inswing Vented Units Solid Lines Represent
Outswing Vented Units; Lines Converge At Hinge Side Of Vent

Hurricane Impact – 3 1/2” Casement (Large Missile)

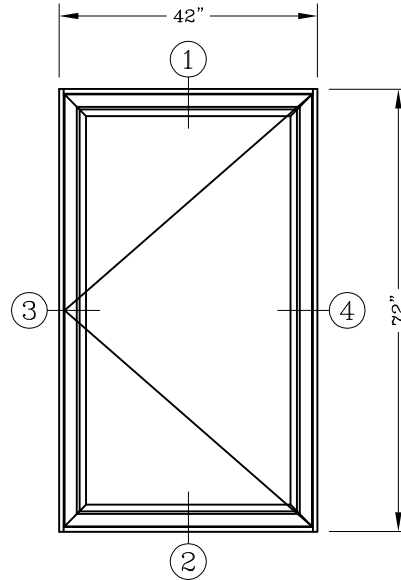
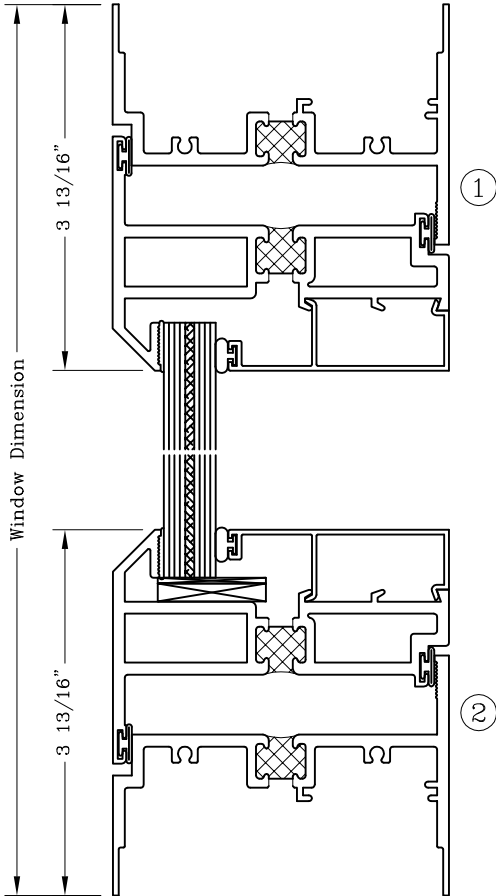


Series: HI6800

Manufacturing Code: HI6804

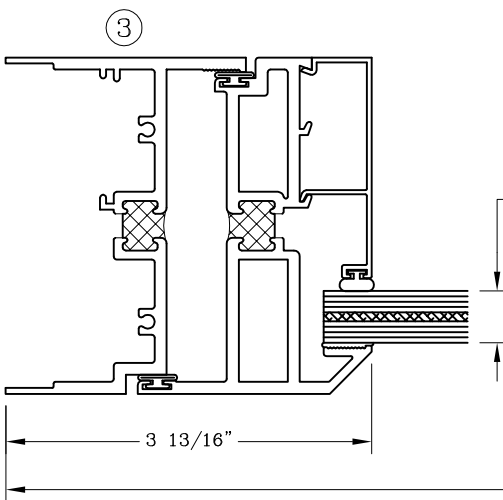
Drawing 1/2 Scale – For Custom Size Drawing Contact Graham

Note: Sealant Not Shown On Details. Consult Technical Services At Factory For Sealing Procedures.

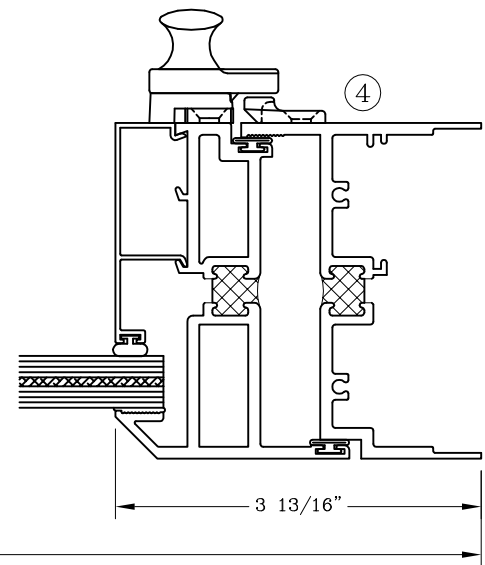


ELEVATION
42 x 72" Tested

INSTALLATION TYPES
1. Trim And Clip
(Reference Test Report #64866.01-109-18)



Glazing To Be:
9/16" Lami Consisting Of;
1/4" Thick Annealed Exterior
.075 PVB Interlayer (Solutia)
1/4" Thick Annealed Interior



Note: Dashed Lines Represent Inswing Vented Units Solid Lines Represent
Outswing Vented Units; Lines Converge At Hinge Side Of Vent

Hurricane Impact – 3 1/2” Casement (Large Missile)

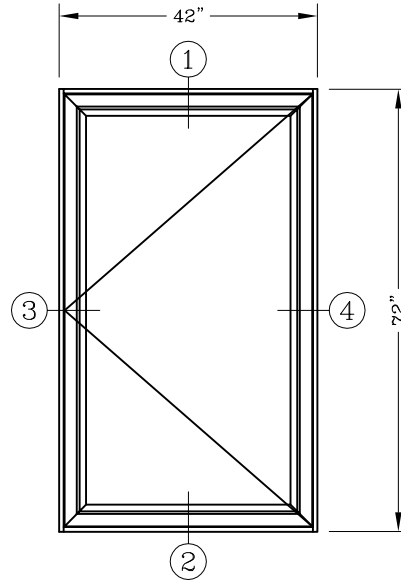
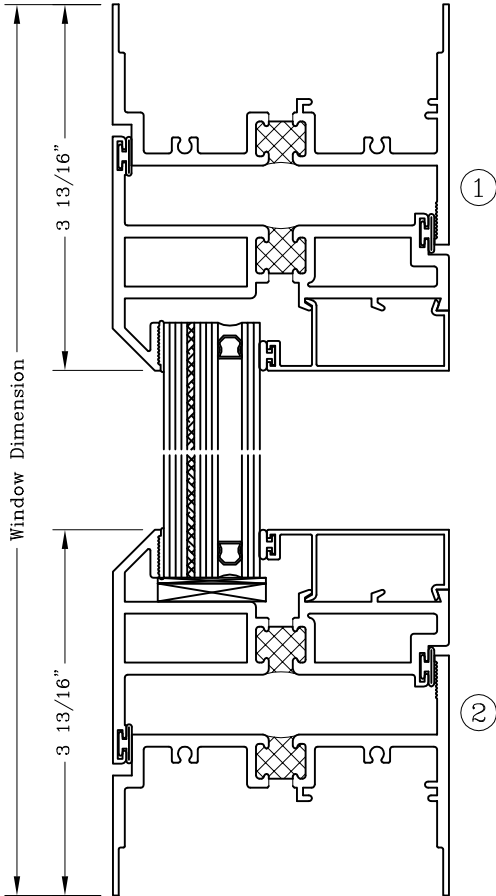


Series: HI6800

Manufacturing Code: HI6805

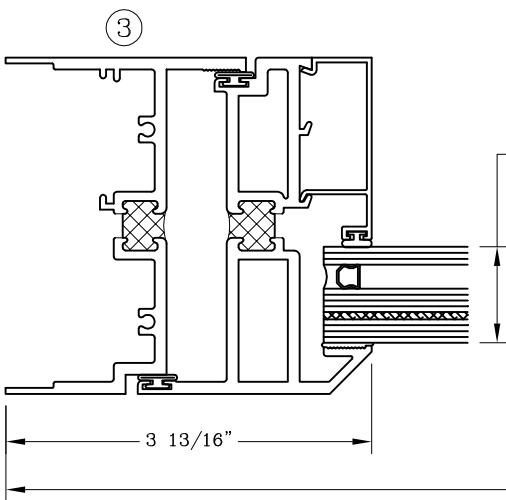
Drawing 1/2 Scale – For Custom Size Drawing Contact Graham

Note: Sealant Not Shown On Details. Consult Technical Services At Factory For Sealing Procedures.

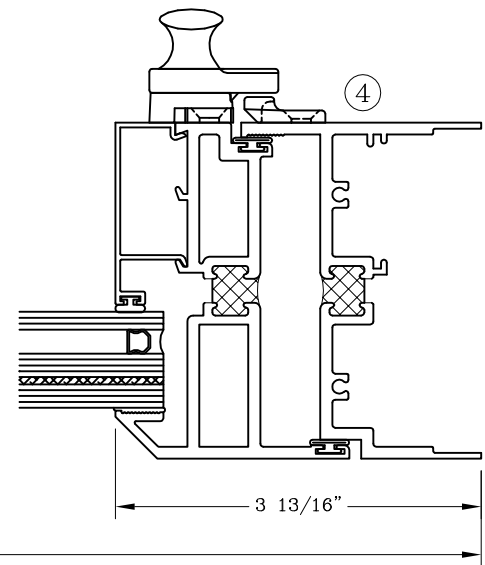


ELEVATION
42" x 72" Tested

- INSTALLATION TYPES
1. Trim And Clip
 2. Receptor At Head And Jambs, And Sill Starter
 3. Pre-Set Panning And Trim Clip
 4. Wraparound Panning And Trim Clip
- (Reference Test Report #64866.01-109-18)



Glazing To Be:
1" IG Consisting Of;
9/16" Lami Consisting Of;
1/4" Thick Annealed Exterior
.075 PVB Interlayer (Solutia)
1/4" Thick Annealed Interior
And
3/16" Thick Annealed Interior



Note: Dashed Lines Represent Inswing Vented Units Solid Lines Represent
Outswing Vented Units; Lines Converge At Hinge Side Of Vent

Hurricane Impact – 3 1/2” Projected

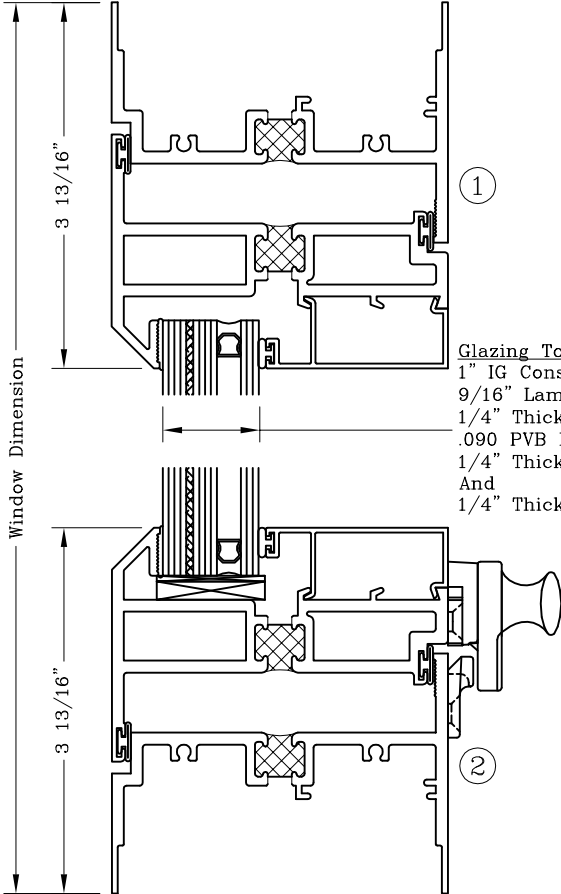


Series: HI6800

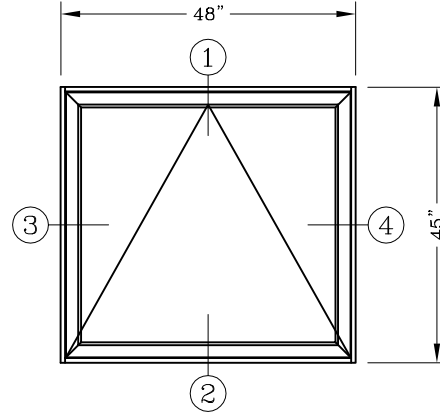
Manufacturing Code: HI6807

Drawing 1/2 Scale – For Custom Size Drawing Contact Graham

Note: Sealant Not Shown On Details. Consult Technical Services At Factory For Sealing Procedures.



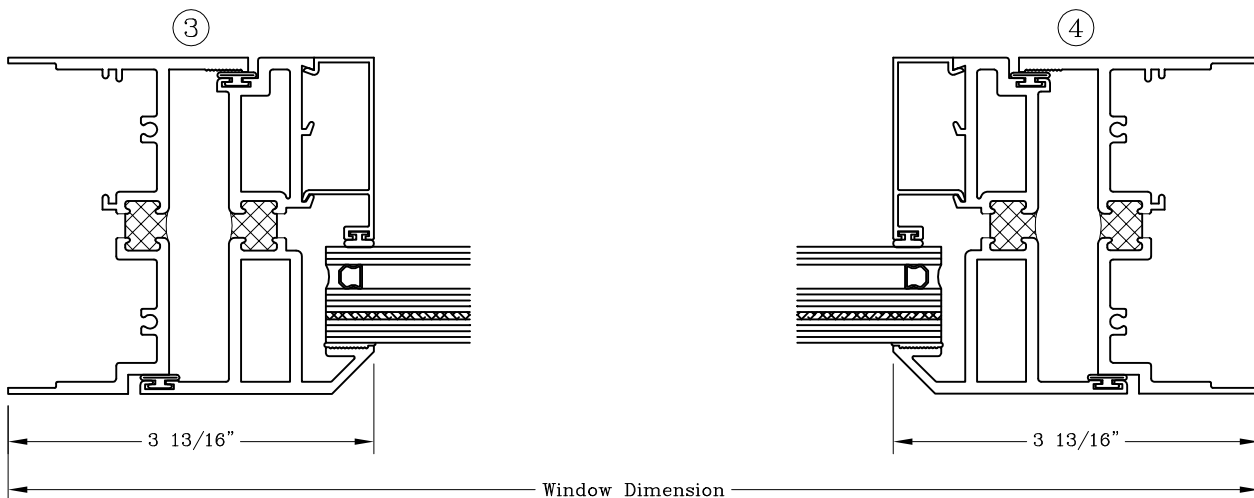
Glazing To Be:
1" IG Consisting Of;
9/16" Lami Consisting Of;
1/4" Thick Annealed Exterior,
.090 PVB Interlayer (Solutia),
1/4" Thick Annealed Interior
And
1/4" Thick Annealed Interior



ELEVATION
48" x 45" Tested

INSTALLATION TYPES

1. Trim And Clip
2. Receptor At Head And Jambs, And Sill Starter
3. Pre-Set Panning And Trim Clip
(Reference Test Report Pending)



Note: Dashed Lines Represent Inswing Vented Units Solid Lines Represent
Outswing Vented Units; Lines Converge At Hinge Side Of Vent

Hurricane Impact – 3 1/2” Casement With Guardian (Large Missile)

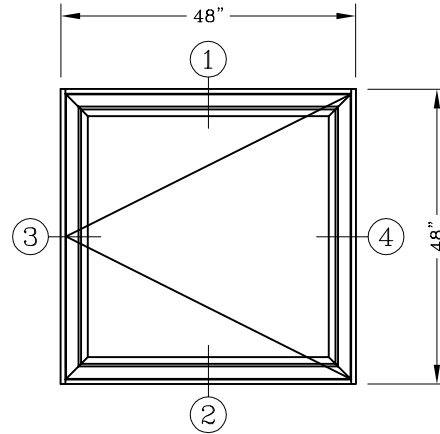
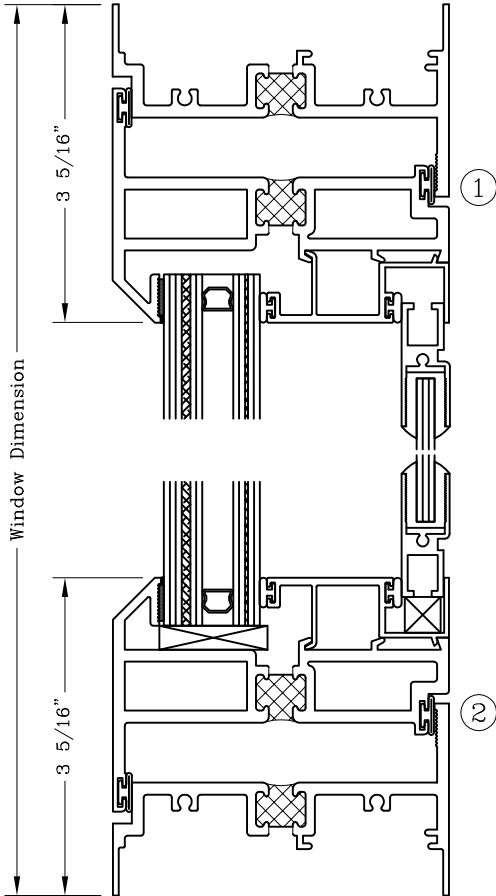


Series: HI6800

Manufacturing Code: HI6808

Drawing 1/2 Scale – For Custom Size Drawing Contact Graham

Note: Sealant Not Shown On Details. Consult Technical Services At Factory For Sealing Procedures.

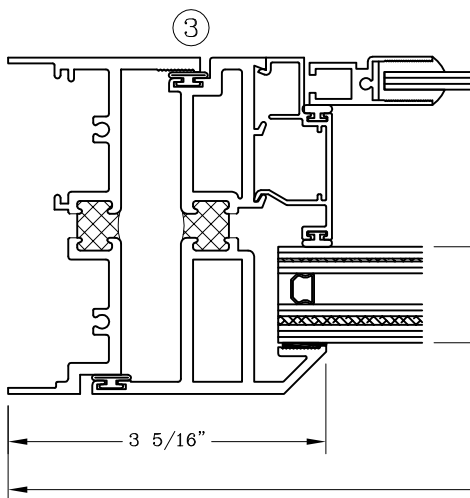


ELEVATION

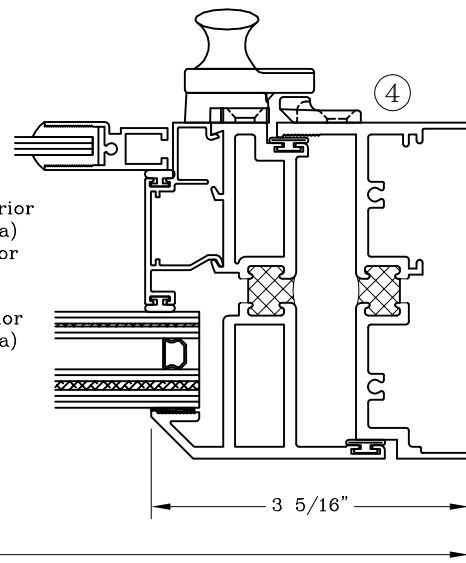
48" x 48" Tested

INSTALLATION TYPES

1. Trim And Clip
(Reference Test Report #85406.01-109-18)



Glazing To Be:
1" IG Consisting Of;
5/16" Lami Consisting Of;
3/16" Thick Annealed Exterior
.090 PVB Interlayer (Solutia)
1/8" Thick Annealed Interior
And
1/4" Lami Consisting Of;
1/8" Thick Annealed Exterior
.030 PVB Interlayer (Solutia)
1/8" Annealed Interior
And
3/16" Thick Annealed
Guardian Panel



Note: Dashed Lines Represent Inswing Vented Units Solid Lines Represent Outswing Vented Units; Lines Converge At Hinge Side Of Vent