

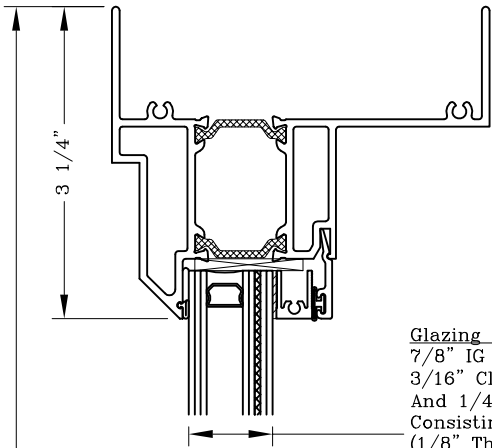
Hurricane Impact – 4”
 Single Plane
 Small Missile
 Series: S1400



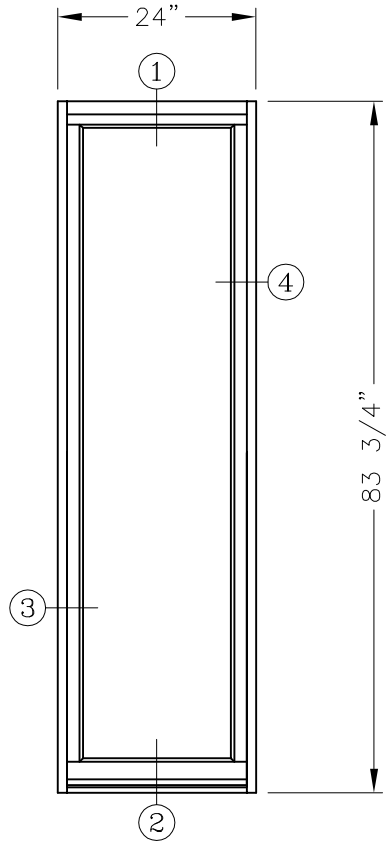
Manufacturing Code: S1412

Drawing 1/2 Scale – For Custom Size Drawing Contact Graham

Note: Sealant Not Shown On Details. Consult Technical Services At Factory For Sealing Procedures.



Glazing To Be:
 7/8" IG Consisting Of;
 3/16" Clear Tempered Exterior,
 And 1/4 Lami
 Consisting of;
 (1/8" Thick Annealed
 Exterior, .060 PVB
 Interlayer,
 1/8" Thick Annealed
 Interior)



INSTALLATION
 TYPES
 1. Trim And Clip
 (Reference Test Report
 #g1729.02-109-44)

ELEVATION
 24" x 83 3/4" Tested

Window Dimension

