

Hurricane Impact - 4" Human Impact Window Fixed

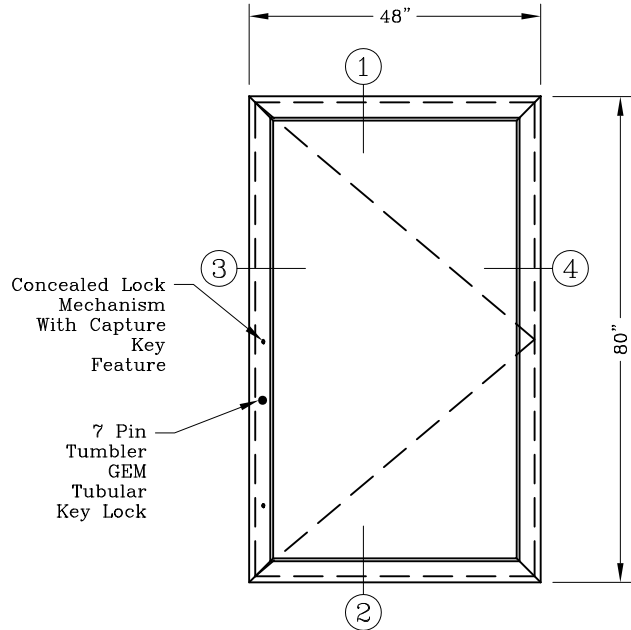
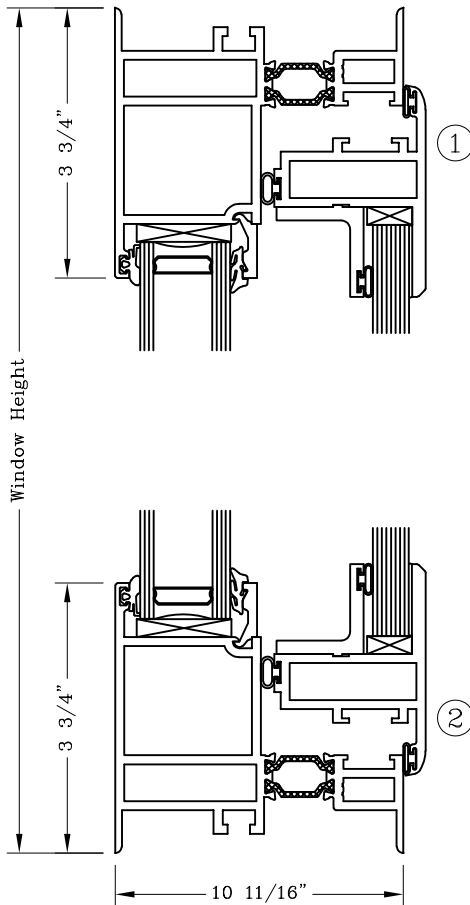


Series: S6300

Manufacturing Code: HIS6301

Drawing 1/2 Scale - For Custom Size Drawing Contact Graham

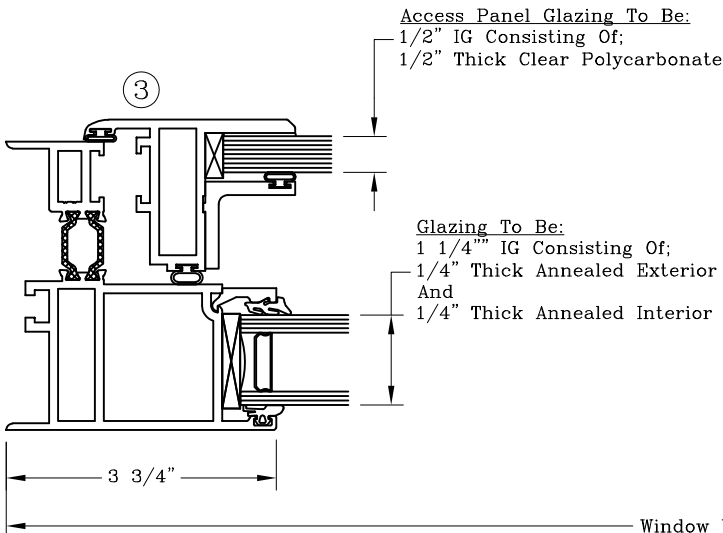
Note: Sealant Not Shown On Details. Refer To General Installation Instructions.



ELEVATION

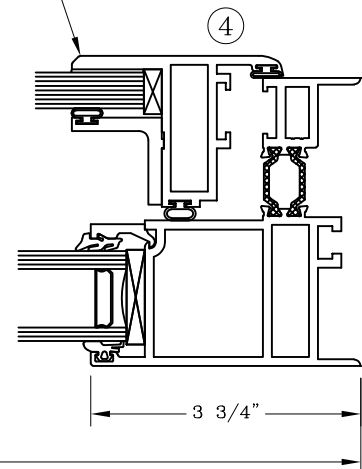
INSTALLATION TYPES

1. 2"x5"x1/8" Thick Steel Strap Anchor
(Reference Test Report #f4133.01-109-18 & Test Report #f4133.02-109-44)



Glazing To Be:
1 1/4" IG Consisting Of;
1/4" Thick Annealed Exterior
And
1/4" Thick Annealed Interior

Blind Access Panel



Note: Dashed Lines Represent Inswing Vented Units Lines Converge At Hinge Side Of Vent

Graham Architectural Products reserves the right to change, add, cancel, remove or otherwise modify the details illustrated without prior notice.

1551 Mt. Rose Avenue, York, Pennsylvania 17403-2909 717.849.8100 Toll Free: 800/755-6274 0223 - HIS63.01

Web Site: www.grahamwindows.com